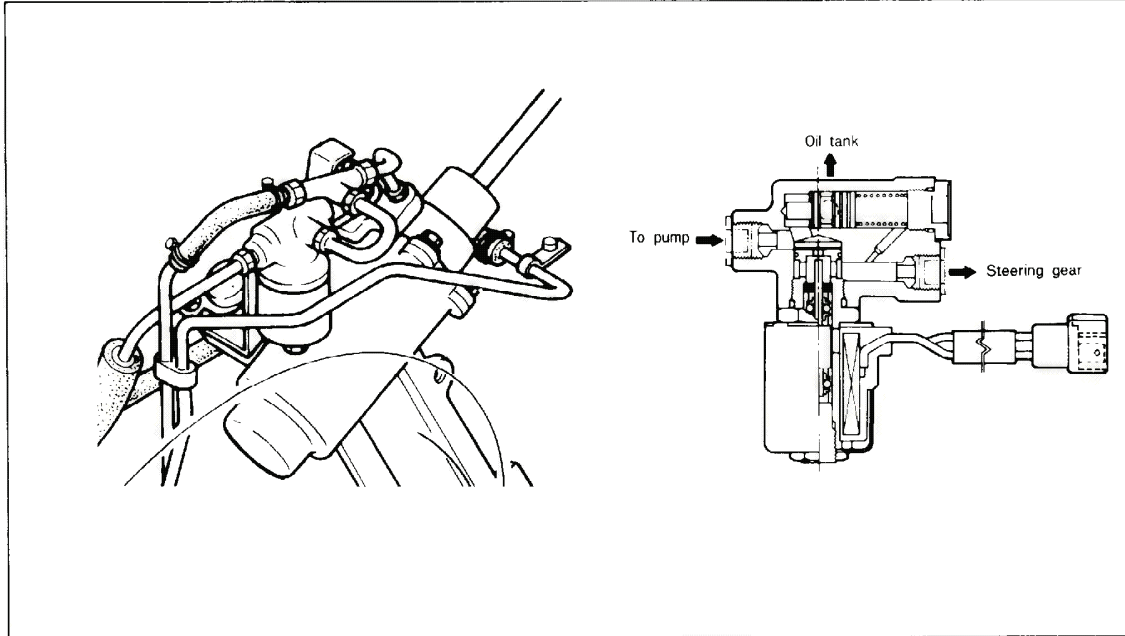
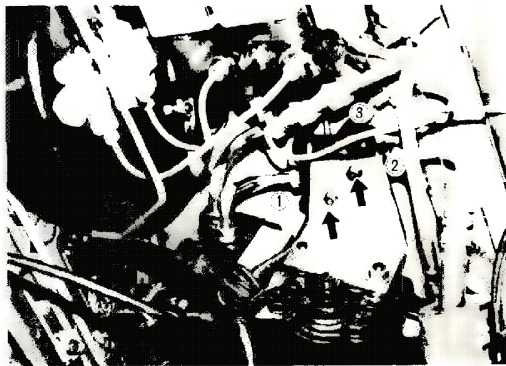


CONTROL VALVE

STRUCTURAL VIEW

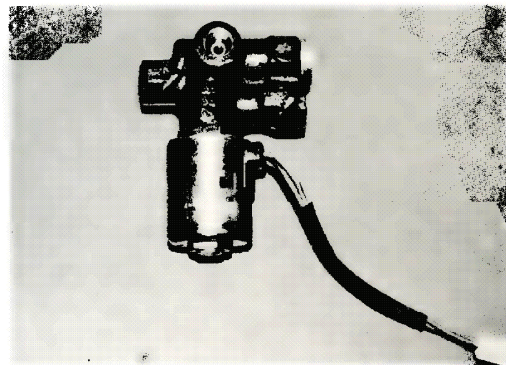


47U10B-045



CONTROL VALVE REMOVAL AND INSTALLATION

1. Loosen the pipe on the control valve
2. Remove the bolts (2)
3. Remove the connector



If either of the control valve is not functioning properly, check the electric signal (**refer to Group 15**); if the malfunction is in the control valve, replace it.