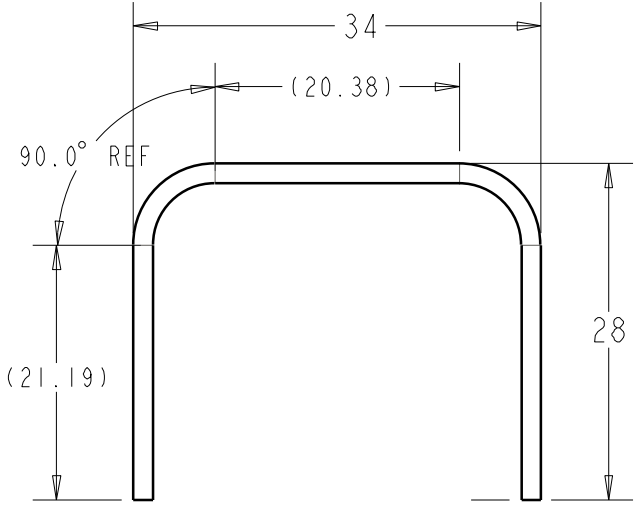
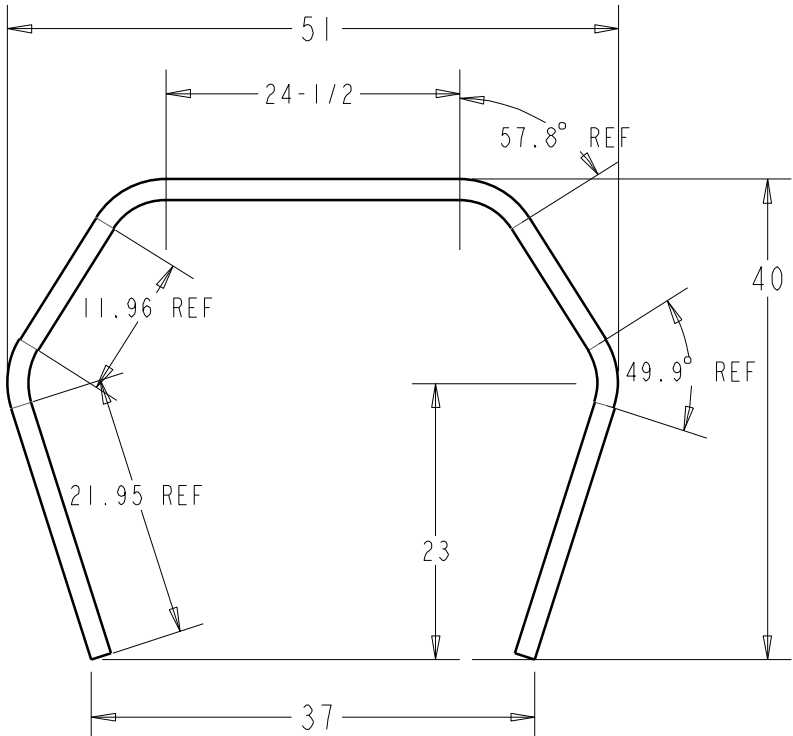


NOTE:
 ROTATE TUBE 27°
 FOR SECOND BEND
 ONE UP
 ONE DOWN

MAT'L: 1 5/8"Ø x 0.134 WALL EWS				
BENDER FILE	PLASMA FILE	QTY	PART DESCRIPTION	LENGTH
		1	MAIN HOOP	114.88
		2	BACK BRACE	38.00
		2	SIDE BAR	54.00
		2	LATERAL SUPP'T	28.00
		1	SEAT CROSSMEMBER	49.25
		1	ROOF HOOP	81.60
		2	WINDSHIELD RUNNER	50.75
		1	DASH BAR	49.25



NOTE:
 1. SPRING TEST AT 45° & 90° BEFORE PRODUCTION.
 2. USE 6"ϕ DIE RADIUS FOR ALL BENDS.
 3. SEAMS ON MAT'L ARE TO BE ON INSIDE OF BENDS.

0	01OCT02	JEB	INITIAL RELEASE
REV	DATE	BY	DESCRIPTION
8-POINT ROLL BAR		86 MAZDA RX7	
S & W RACE CARS SPRING CITY, PA			11-5566