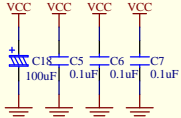
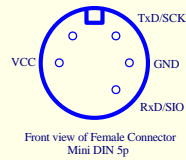
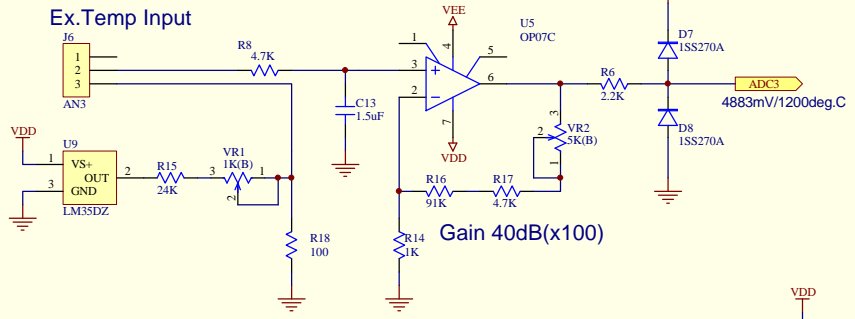


Power FC Connector



Ex. Temp Input



Gain 40dB(x100)

Adjustment NOTE:
 1. Test Vref and calc N=Vref/5.00
 2. Unmount U9, UR output connect to +5.0V reference, Trim VR1 and J6 #2 to 20.222[mV]
 3. Trim Gain VR2 and ADC3 to 2022*[mV]