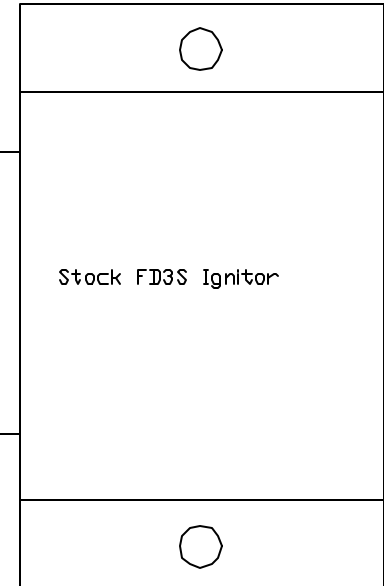
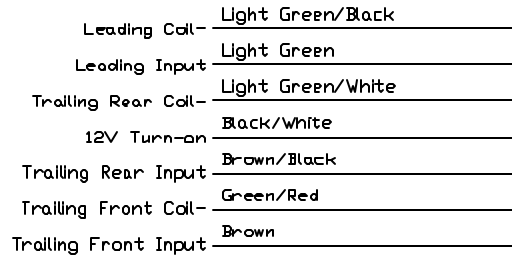
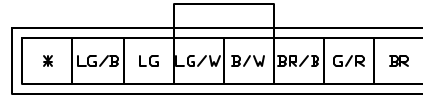
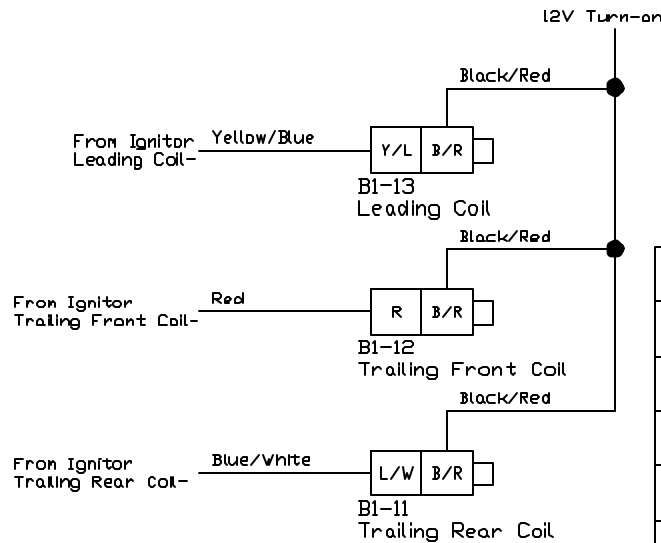
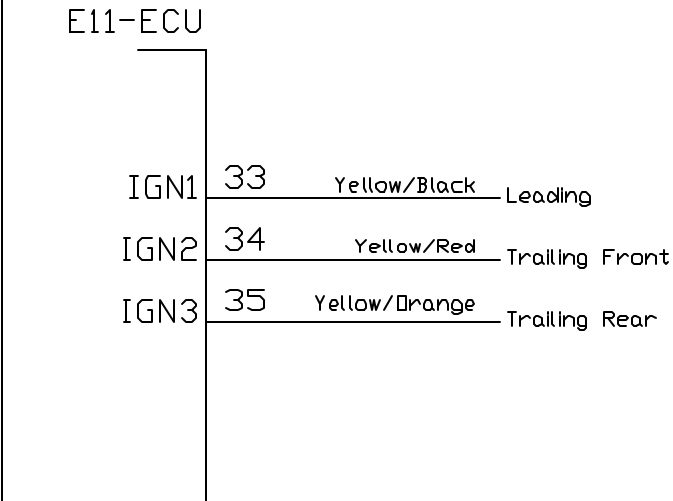
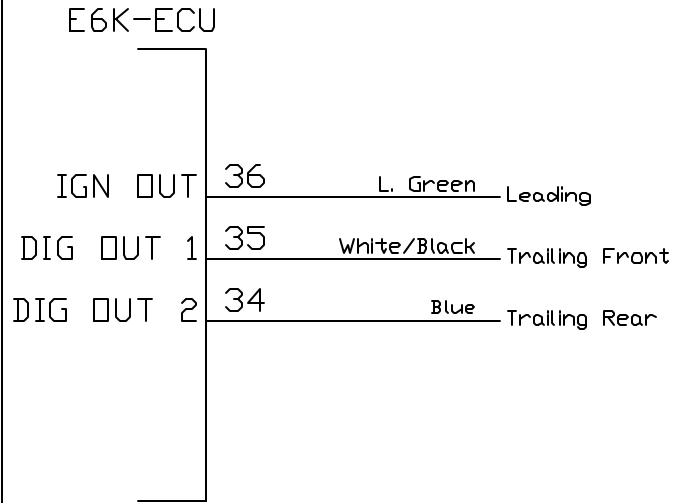


Connector B1-09



Ignitor frame must be grounded

Spark Mode	Direct Fire
Engine Type	Rotary
Output Type	Constant Charge
Coil Charge Time	31ms
Output Edge	Falling



K2RD

RX7 FD3S (93-95) Ignitor & Coils

DATE 03/24/2003	DRAWN PK	SHEET E6K/E11	DWG NO. IG03
APP	REV		