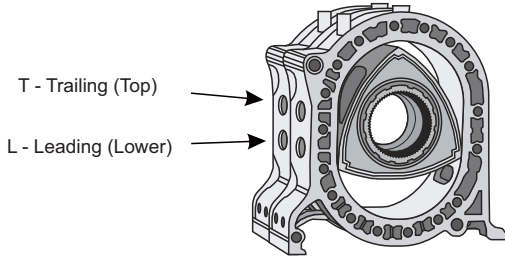
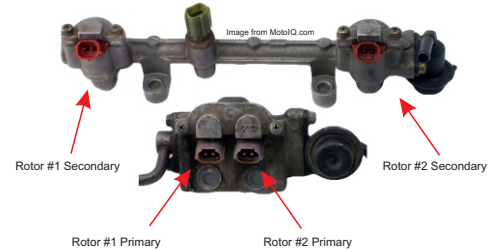


## How To Wire A Rotary Engine

# How To Wire A Rotary Engine



\* Note: Rotor #1 is the Front Rotor



## 2 Rotor Installation

### Direct Fire Installation

ECU Connection	Wire Color	Engine Connection	Elite 1xxx/2xxx	Elite 550/750
Ignition #1		Rotor #1 Leading (L1)	Pin# A3	Pin# 3
Ignition #2		Rotor #2 Leading (L2)	Pin# A4	Pin# 4
Ignition #3		Rotor #1 Trailing (T1)	Pin# A5	Pin# 5
Ignition #4		Rotor #2 Trailing (T2)	Pin# A6	Pin# 6

### Waste-Spark Installation

ECU Connection	Wire Color	Engine Connection	Elite 1xxx/2xxx	Elite 550/750
Ignition #1		Rotor #1 & 2 Leading (L1, L2)	Pin# A3	Pin# 3
Ignition #2	-	Not Connected	-	-
Ignition #3		Rotor #1 Trailing (T1)	Pin# A5	Pin# 5
Ignition #4		Rotor #2 Trailing (T2)	Pin# A6	Pin# 6

### Sequential Injection Installation

ECU Connection	Wire Color	Engine Connection	Elite 1xxx/2xxx	Elite 550/750
Injector #1		Rotor #1 Primary	Pin# A19	Pin# 19
Injector #2		Rotor #2 Primary	Pin# A20	Pin# 20
Injector #3		Rotor #1 Secondary	Pin# A21	Pin# 21
Injector #4		Rotor #2 Secondary	Pin# A22	Pin# 22



# How To Wire A Rotary Engine

## 3 Rotor Installation

Direct Fire Installation				
ECU Connection	Wire Color	Engine Connection	Elite 2000/2500	Elite 750
Ignition #1		Rotor #1 Leading (L1)	Pin# A3	Pin# 3
Ignition #2		Rotor #2 Leading (L2)	Pin# A4	Pin# 4
Ignition #3		Rotor #3 Leading (L3)	Pin# A5	Pin# 5
Ignition #4		Rotor #1 Trailing (T1)	Pin# A6	Pin# 6
Ignition #5		Rotor #2 Trailing (T2)	Pin# A7	Pin# 7
Ignition #6		Rotor #3 Trailing (T3)	Pin# A8	Pin# 8

Sequential Injection Installation				
ECU Connection	Wire Color	Engine Connection	Elite 2000/2500	Elite 750
Injector #1		Rotor #1 Primary	Pin# A19	Pin# 19
Injector #2		Rotor #2 Primary	Pin# A20	Pin# 20
Injector #3		Rotor #3 Primary	Pin# A21	Pin# 21
Injector #4		Rotor #1 Secondary	Pin# A22	Pin# 22
Injector #5		Rotor #2 Secondary	Pin# A27	Pin# 27
Injector #6		Rotor #3 Secondary	Pin# A28	Pin# 28

## 4 Rotor Installation

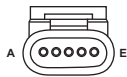
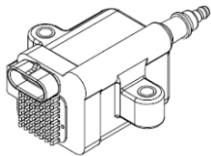
Direct Fire Installation			
ECU Connection	Wire Color	Engine Connection	Elite 2000/2500
Ignition #1		Rotor #1 Leading (L1)	Pin# A3
Ignition #2		Rotor #2 Leading (L2)	Pin# A4
Ignition #3		Rotor #3 Leading (L3)	Pin# A5
Ignition #4		Rotor #4 Leading (L4)	Pin# A6
Ignition #5		Rotor #1 Trailing (T1)	Pin# A7
Ignition #6		Rotor #2 Trailing (T2)	Pin# A8
Ignition #7		Rotor #3 Trailing (T3)	Pin# B17
Ignition #8		Rotor #4 Trailing (T4)	Pin# B18

Sequential Injection Installation			
ECU Connection	Wire Color	Engine Connection	Elite 2000/2500
Injector #1		Rotor #1 Primary	Pin# A19
Injector #2		Rotor #2 Primary	Pin# A20
Injector #3		Rotor #3 Primary	Pin# A21
Injector #4		Rotor #4 Primary	Pin# A22
Injector #5		Rotor #1 Secondary	Pin# A27
Injector #6		Rotor #2 Secondary	Pin# A28
Injector #7		Rotor #3 Secondary	Pin# A29
Injector #8		Rotor #4 Secondary	Pin# A30

# How To Wire A Rotary Engine

## Common Ignition Coil Pinouts

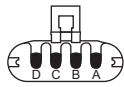
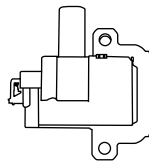
HT-020114 - IGBT Coil



HARNESS SIDE VIEW

Termination	
A	ECU IGNITION OUTPUT
B	GROUND REFERENCE (TO GROUND)
C	GROUND (TO CYLINDER HEAD)
D	GROUND (TO BATTERY)
E	POWER (+12V SWITCHED)

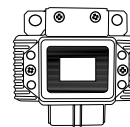
HT-020114 - LS1 Coil



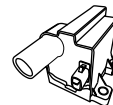
HARNESS SIDE VIEW

Termination	
A	GROUND
B	GROUND
C	IGN OUT FROM
D	POWER (+12V)

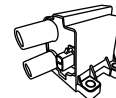
IGNITER



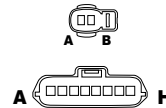
TRAIL COIL



LEAD COIL



Termination	
A	ECU IGNITION OUTPUT #3
B	TRAILING FRONT PIN A
C	ECU IGNITION OUTPUT #4
D	-
E	TRAILING REAR PIN A
F	ECU IGNITION OUTPUT #1
G	LEAD COIL PIN A



Haltech ECU

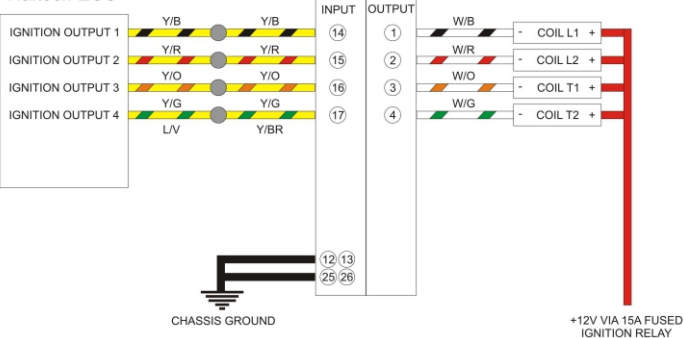


Figure 3 – 2 Rotor Direct Fire

Haltech ECU

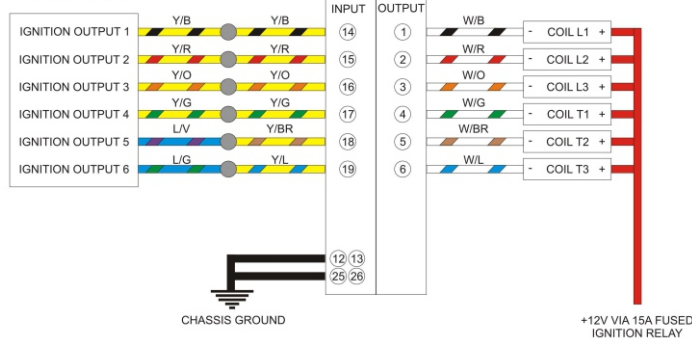
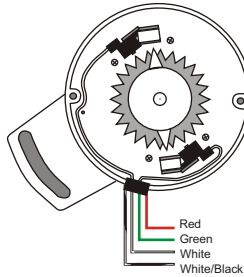


Figure 4 – 3 Rotor Direct Fire

# How To Wire A Rotary Engine

## Rotary CAS Connection

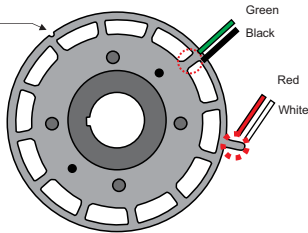
(FC3S)  
13B /  
20B



Wire Color	Function	Elite 1xxx/2xxx	Elite 550/750
Red	Trigger +	Trigger + (B1)	Trigger + (31)
White	Trigger -	Trigger - (B5)	Trigger - (33)
Green	Home +	Home + (B2)	Home + (32)
White/Black	Home -	Home - (B6)	Home - (34)

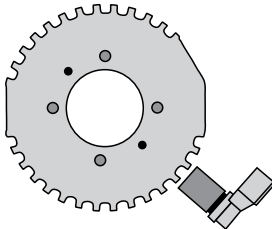
Timing Mark is  
-20° (20° ATDC)  
Checked on Trail 1

(FD3S)  
13B-REW



Wire Color	Function	Elite 1xxx/2xxx	Elite 550/750
Black	Trigger +	Trigger + (B1)	Trigger + (31)
Green	Trigger -	Trigger - (B5)	Trigger - (33)
White	Home +	Home + (B2)	Home + (32)
Red	Home -	Home - (B6)	Home - (34)

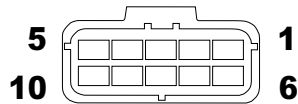
RX-8  
RENESIS



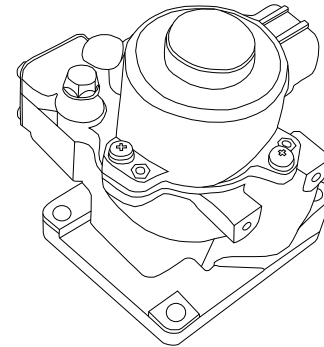
Wire Color	Function	Elite 1xxx/2xxx	Elite 550/750
Yellow/Black	Trigger +	Trigger + (B1)	Trigger + (31)
Yellow/Red	Trigger -	Trigger - (B5)	Trigger - (33)

# How To Wire A Rotary Engine

## Oil Metering Pump Connection



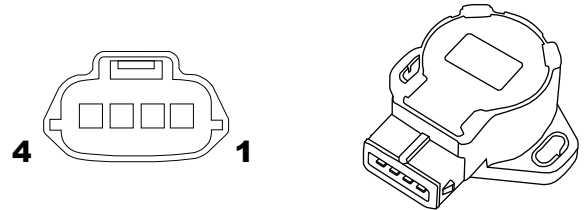
Oil Metering Pump Installation		
Pin #	ECU Connection	Elite 1xxx/2xxx
1	+5v	Pin# A9
2	-	-
3	Stepper 1 P2	Pin# A32
4	-	-
5	Stepper 1 P1	Pin# A31
6	AVI 3	Pin# A17
7	Signal Ground	Pin# B14
8	Stepper 1 P4	Pin# A34
9	-	-
10	Stepper 1 P3	Pin# A33



# How To Wire A Rotary Engine

## Throttle Position Connection

Oil Metering Pump Installation			
Pin #	ECU Connection	Elite 1xxx/2xxx	Elite 550/750
1	Signal Ground	Pin# B14	Pin# 11
2	-	-	-
3	+5V	Pin# A9	Pin# 9
4	Signal to ECU	Pin# A14	Pin# 14





**Need more help?**



**Intl: +61 2 9729 0999**  
**USA: +1 888 298 8116**



**Intl: support@haltech.com**  
**USA: usasupport@haltech.com**



**www.haltech.com**



**/Haltechecu**



**/HaltechEngineManagement**