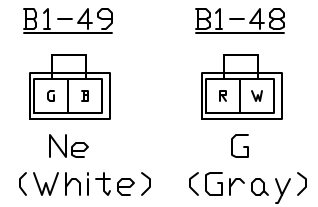
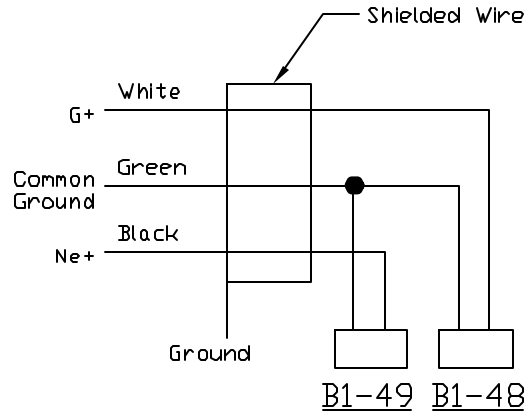
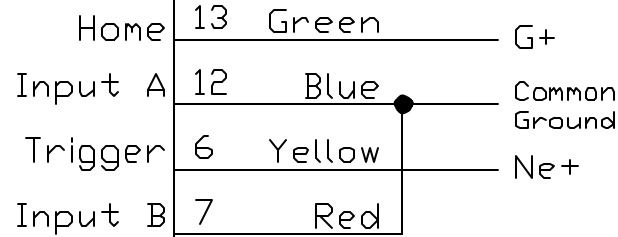
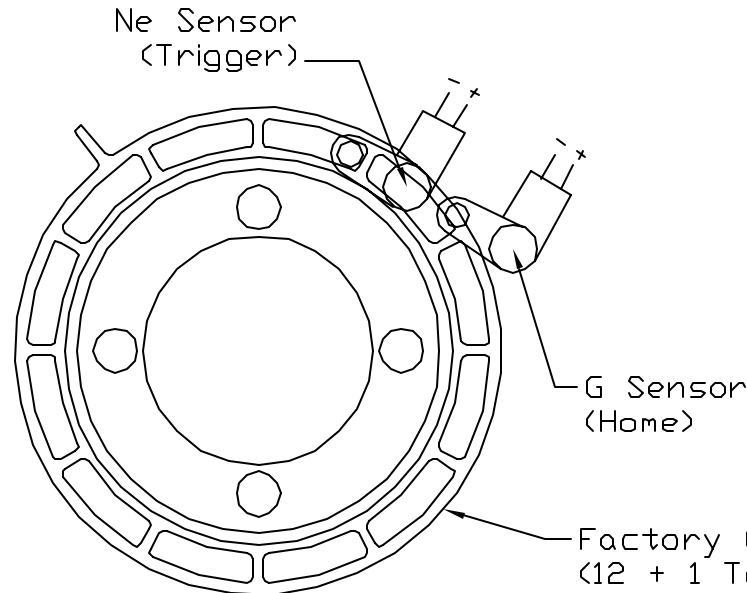
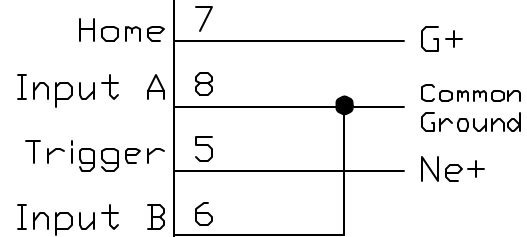


E6K-ECU



Ignition Setup (E6K)	
Trigger Input	Internal Reluctor
Trigger Gain	0 to 3
Home Input	Internal Reluctor
Home Gain	0 to 3
Trigger Mode	Adaptive
Trigger Angle	67°±5°
Trigger Type	Multitooth
Number of Teeth	24
Tooth Offset	5

E11-ECU



K2RD

RX7 FD3S 13BREW (93-95) Crank Trigger Sensor

DATE 03/24/2003	DRAWN PK	SHEET E6K/E11	DWG. NO. T03
APP	REV		