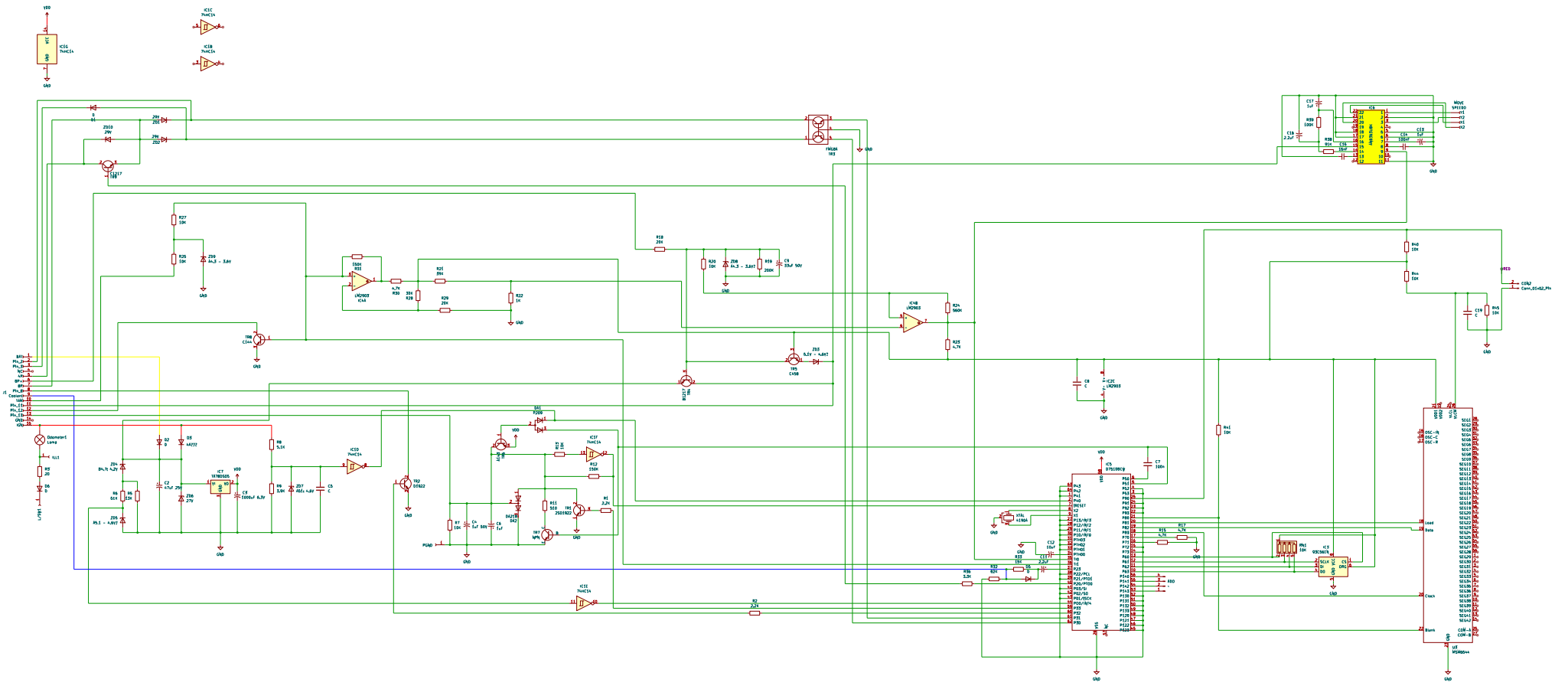


813 Model Master 8255 Instrument Cluster Supplemental Schematic  
 Revised by ESRM - 10/2008  
 General Component Values are for Convenience of Reference  
 This is a safety-critical system. It is possible that errors exist when producing the master version. Contact me and I will correct the original.



813 Model Master 8255 Instrument Cluster Supplemental Schematic Revised by ESRM - 10/2008 General Component Values are for Convenience of Reference This is a safety-critical system. It is possible that errors exist when producing the master version. Contact me and I will correct the original.	Date: 10/2008 Rev: 1.0
--	---------------------------