

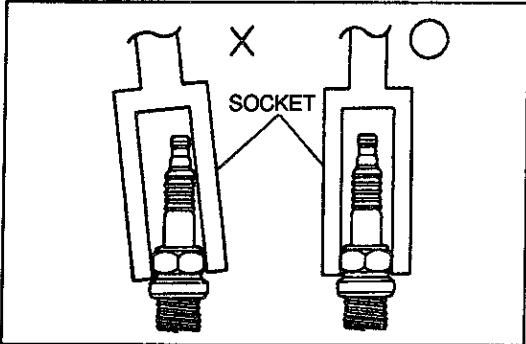
SPARK PLUGS

Removal / Installation

1. Remove and install the high-tension leads carefully.

Caution

- Pulling on the wire part of the spark plug lead may break it. To remove the lead, pull only on the boot.



2. Remove and install the spark plugs by using a plug socket.

Caution

- To avoid breaking the spark plug, be sure to fit the socket squarely over it.

3. Apply anti-seize compound or molybdenum-based lubricant to the spark plug threads before installing.
4. Tighten the spark plugs to the specified torque.

Tightening torque:

13–17 N·m {1.3–1.8 kgf·m, 9.5–13 ft·lbf}

Spark test

1. Remove the spark plug.
2. Connect the spark plug to a high-tension lead.
3. Hold the high-tension lead and spark plug with insulated pliers 5–10 mm {0.20–0.39 in} from a ground.
4. Check the engine and verify that there is a strong blue spark.
5. Replace the spark plug or high tension lead as necessary if not as specified.

