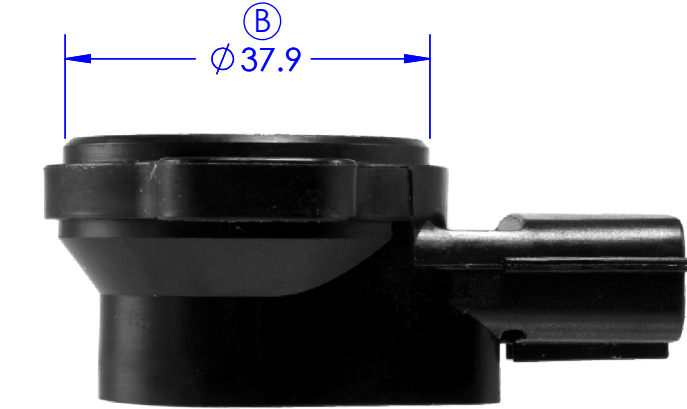
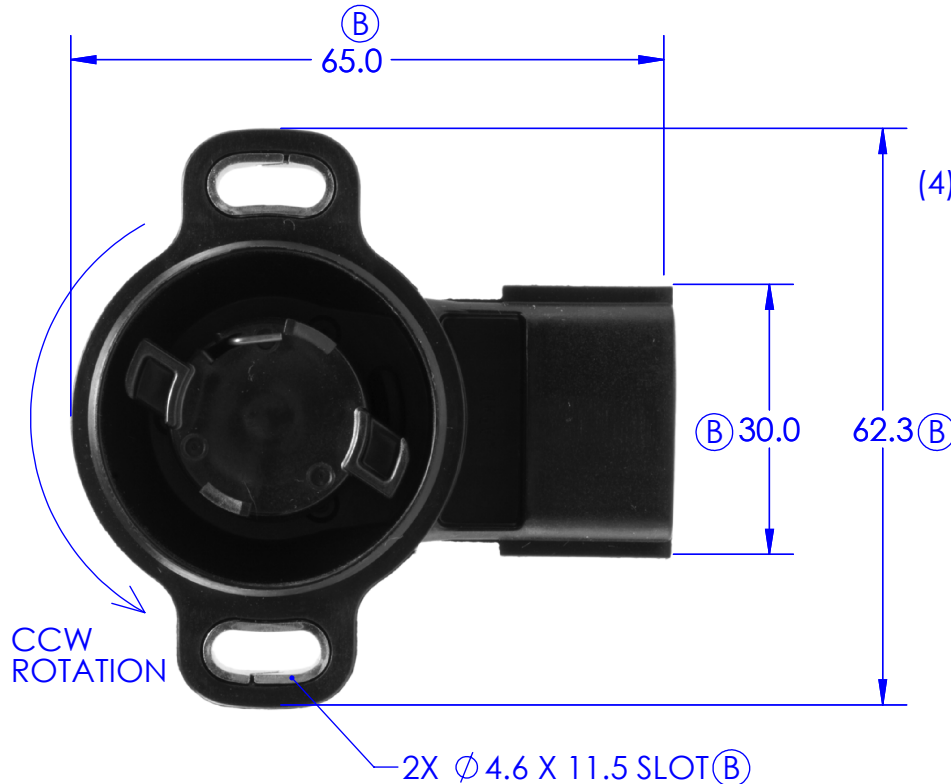
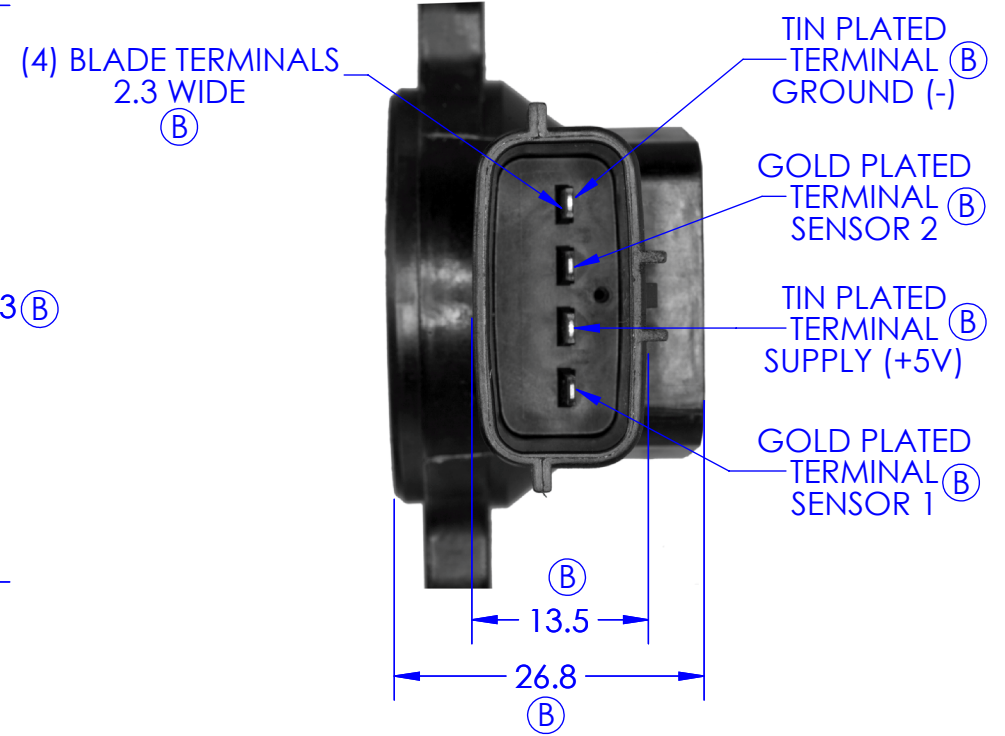


2

1



REVISION				
REV.	DESCRIPTION	ECN	DATE	BY
A	REDRAWN W/CHANGES, SEE ECN FOR DETAILS	40910	5-2-16	RTN
B	UPDATED WITH METRIC DIMENSIONS; SEE ECN FOR DETAILS	41363	8-5-16	MJO



REPLACES O.E.M. #N3A1-18-911, N3A2-18-911



KEY PRODUCT CHARACTERISTIC <input type="checkbox"/> FIT/FUNCTION <input checked="" type="checkbox"/> SAFETY/COMPLIANCE <input type="checkbox"/> TOTAL KPC ON THIS PART NO.				
DATE	5/2/2016	SCALE	NTS	DRAWN BY
MATERIAL				RTN
FINISH				ENGINEER
				TWF
				TITLE
				THROTTLE POSITION SENSOR
UNLESS OTHERWISE SPECIFIED DIM ARE IN INCHES ANGLE ±1° .XX ±.015 .XXX ±.005 GD&T ASME Y14.5-2009		 THIRD ANGLE		TYPE SIZE SHEET PART NO. REV MODEL A 1 OF 1 TPS4089 A

