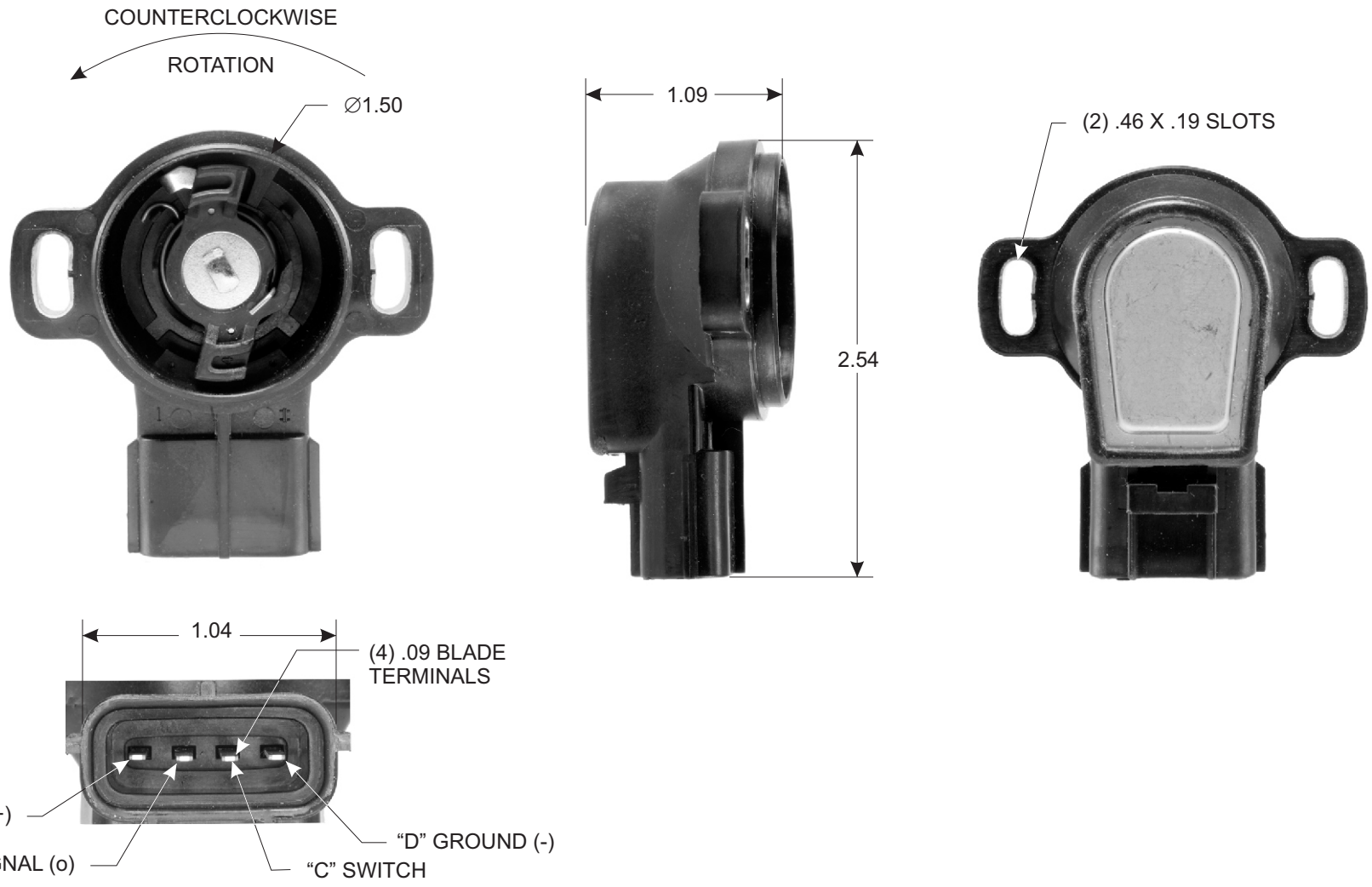


PART NO. **TPS481**

TOLERANCES UNLESS SPECIFIED
 TWO PLACE DECIMALS +/- .015 THREE PLACE DECIMALS +/- .005 ANGLES +/- 1°



(A)

(B)

REPLACES O.E.M. # 89452-22080, CX1437, F32Z-9B989-A, KL01-18-911, 198500-3120, 198500-3021, 13420-60G00

					MATERIAL	SCALE	NTS				
						DATE	8-10-98		DWN. BY	GC	
						ENGINEER	8-10-98		TWF		
						APPROVED	8-10-98		JSK		
B	ADD OE# 13420-60G00	40675	3/10/16	JMM	FINISH	PURCH.	<input type="checkbox"/>	PROD.	<input type="checkbox"/>	TITLE	THROTTLE POSITION SENSOR
A	UPDATE VIEW, ADD O.E. NUMBERS, SEE ECN FOR DETAILS	35749	10-15-12	RTN		MODEL	N/A				PART NO.
	RELEASED DRAWING	21652A	8-10-98	GC							
L	REVISION	CN	DATE	BY	CAD REF.	N/A					