

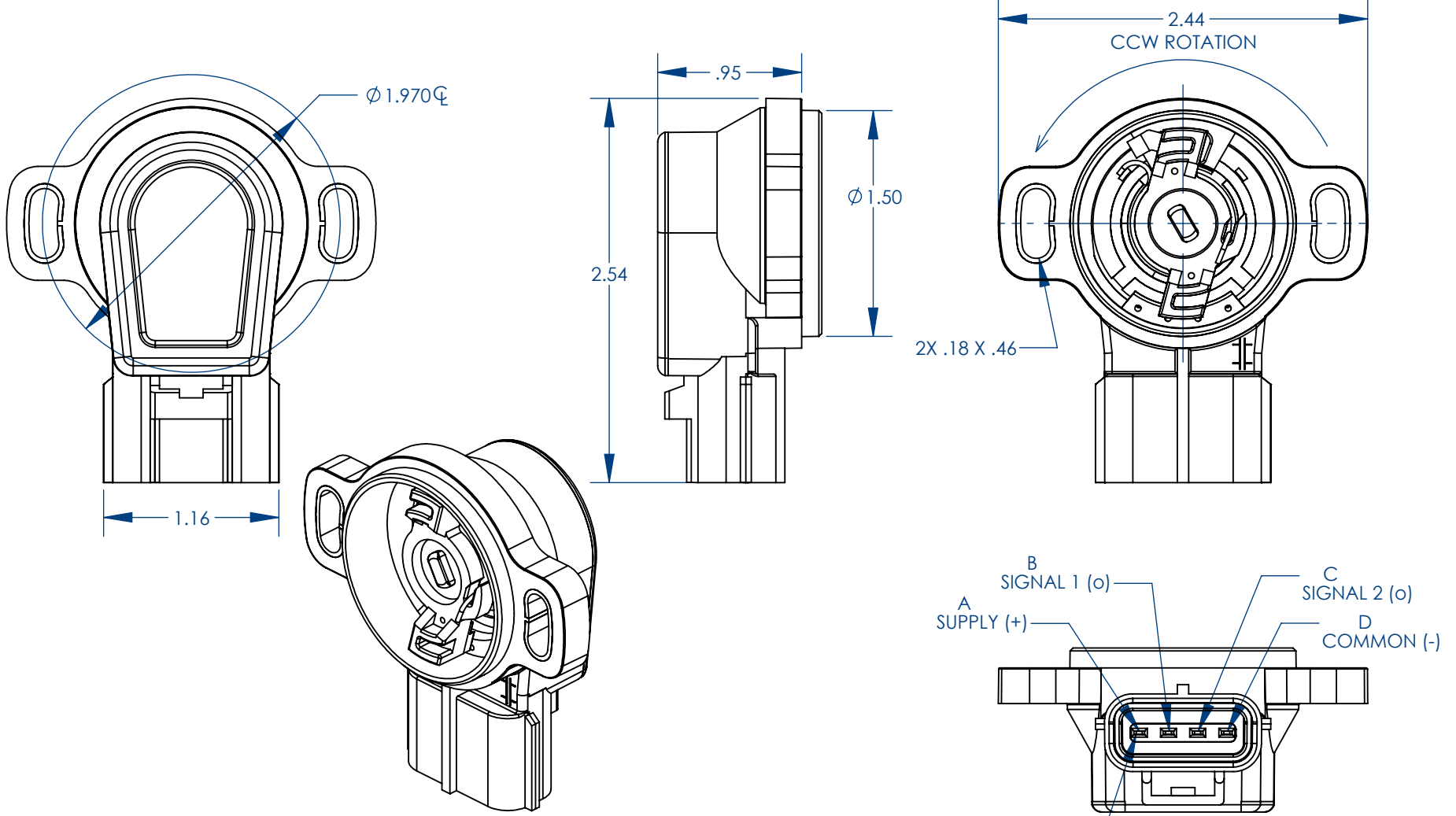
PART NO. **TPS4107**

TOLERANCES UNLESS SPECIFIED

TWO PLACE DECIMALS +/- .015

THREE PLACE DECIMALS +/- .005

ANGLES +/- 1°



REPLACES O.E.M. #89452-30150, 89452-30140, 198500-3240

(4) BLADE TERMINALS

					MATERIAL	N/A	SCALE	1:1			
					FINISH	N/A	DATE	5-24-12		DWN. BY	RTN
							ENGINEER	5-24-12		TWF	
							APPROVED	5-24-12		TDS	
A	REDRAWN W/CHANGES, SEE ECN FOR DETAILS	35272	5-24-12	RTN			PURCH.	<input type="checkbox"/>	PROD.	<input type="checkbox"/>	
L	REVISION	CN	DATE	BY	CAD REF.	N/A	MODEL				
								SHEET SIZE	A	PART NO.	TPS4107
								TITLE			THROTTLE POSITION SENSOR