

ACCESSORY FITTING MANUAL

Accessory Name:

SCUFF PLATE

Part No.: FD01 V1 370G

Applicable model: All RX-7 models

Thank you for purchasing our genuine part. Please make sure to install it according to the following installation method.

CAUTION

1. Wipe off oil and dirt on the mounting surface with rags.
2. Tighten up the screws because they become loosened at the time of initial mounting.

COMPONENTS

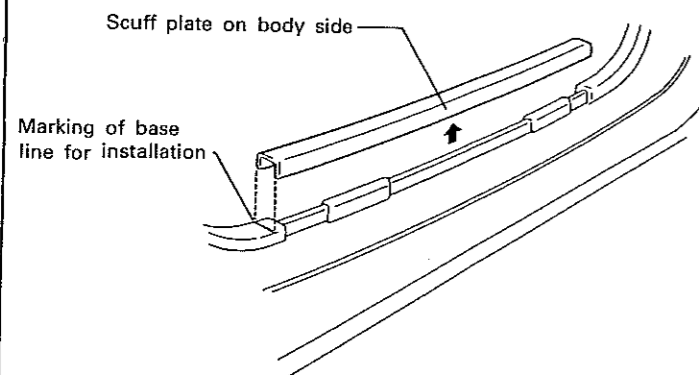
No.	Part name	Qty.	No.	Part name	Qty.
1	Scuff plate (right & left) One each	1	4	Resin washer	4
2	Attaching screw	4	5	Stiffening pad	2
3	Weld nut	4	6	Installation manual	1

TOOLS REQUIRED

Electrical drill, Gimlet ($\phi 3$ & $\phi 8.2$), Screw driver(plus-head), Punch, Touch-up paint, Water-color pen, File, Rag.

INSTALLATION PROCEDURE

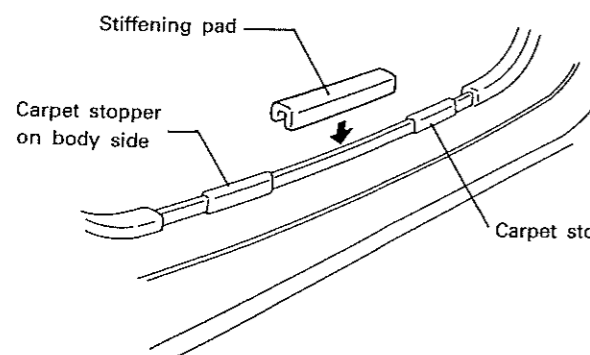
1 Positioning of scuff plate for installation



1. Mark the basic line for installation on the front end of the scuff plate on the body side.
2. Remove the scuff plate on the body side.
3. Wipe off the dirt on the mounting surface of the scuff plate.

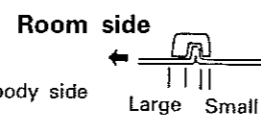
* Store the removed scuff plate on the body side, because it will be no longer used.

2 How to install stiffening pad

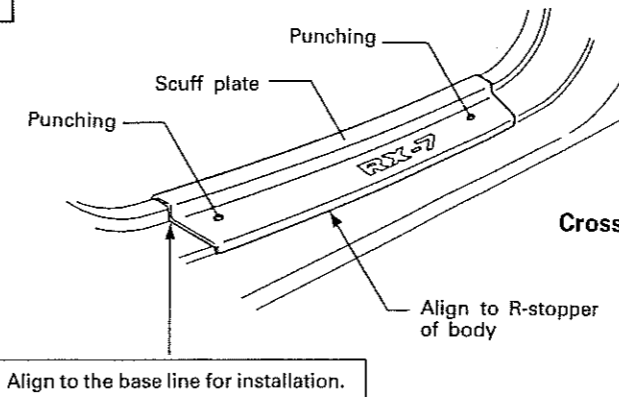


1. Install the stiffening pad between the carpet stoppers on the body side (front & rear).

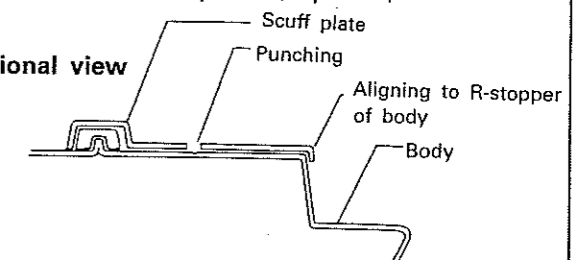
* Caution
Pay attention to the direction of the stiffening pad.



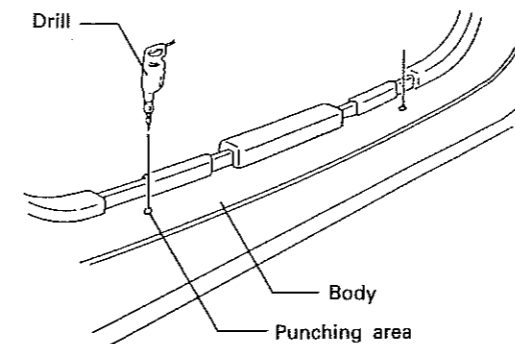
3 Positioning of mounting hole for scuff plate



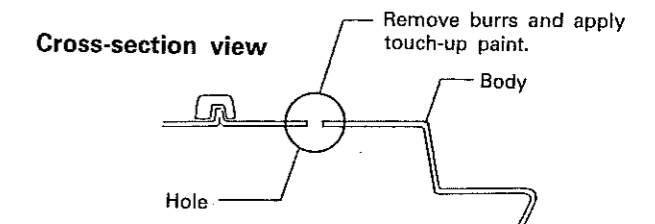
1. Align the scuff plate to the base line for installation.
2. Align the R-stopper of the body to the bend of the scuff plate.
3. Punch through the mounting hole of the scuff plate. (2 places)



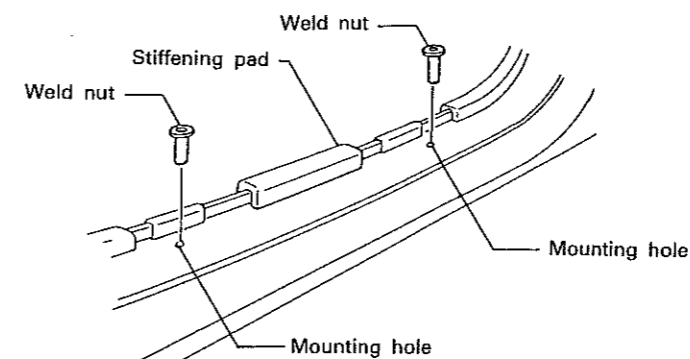
4 Drilling of mounting hole



1. Make prepared holes on the punching area of the body with drill ($\phi 3$).
2. Make mounting holes with drill ($\phi 8.2$).
3. Remove burrs on the holes with file (front & back sides) and apply touch-up paint on the holes sufficiently. (See the cross-section view.)

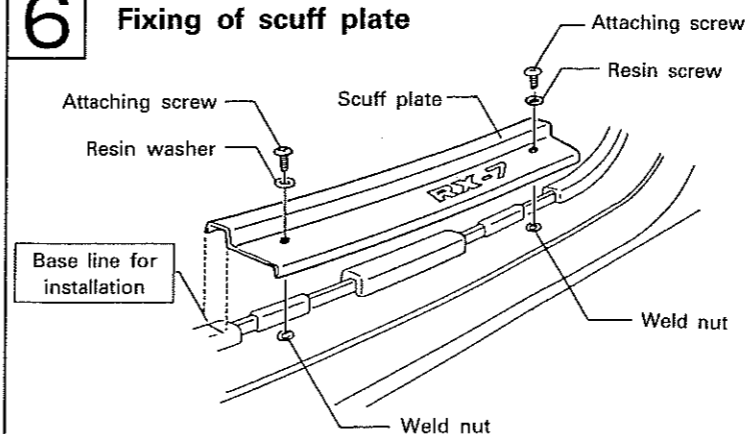


5 Fitting of weld nut



1. Insert the weld nuts to the mounting holes of the body (2 places).

6 Fixing of scuff plate



1. Align the scuff plate both to the base line of the body and mounting holes (weld nuts).
2. Fix the scuff plate to the weld nuts with the attaching screws and resin washers.

* Make sure to peel off the vinyl before installation.

* Caution
Use fingers for initial tightening of the screws.

It is requested that the installation stores make sure to hand over this installation manual to the customers.