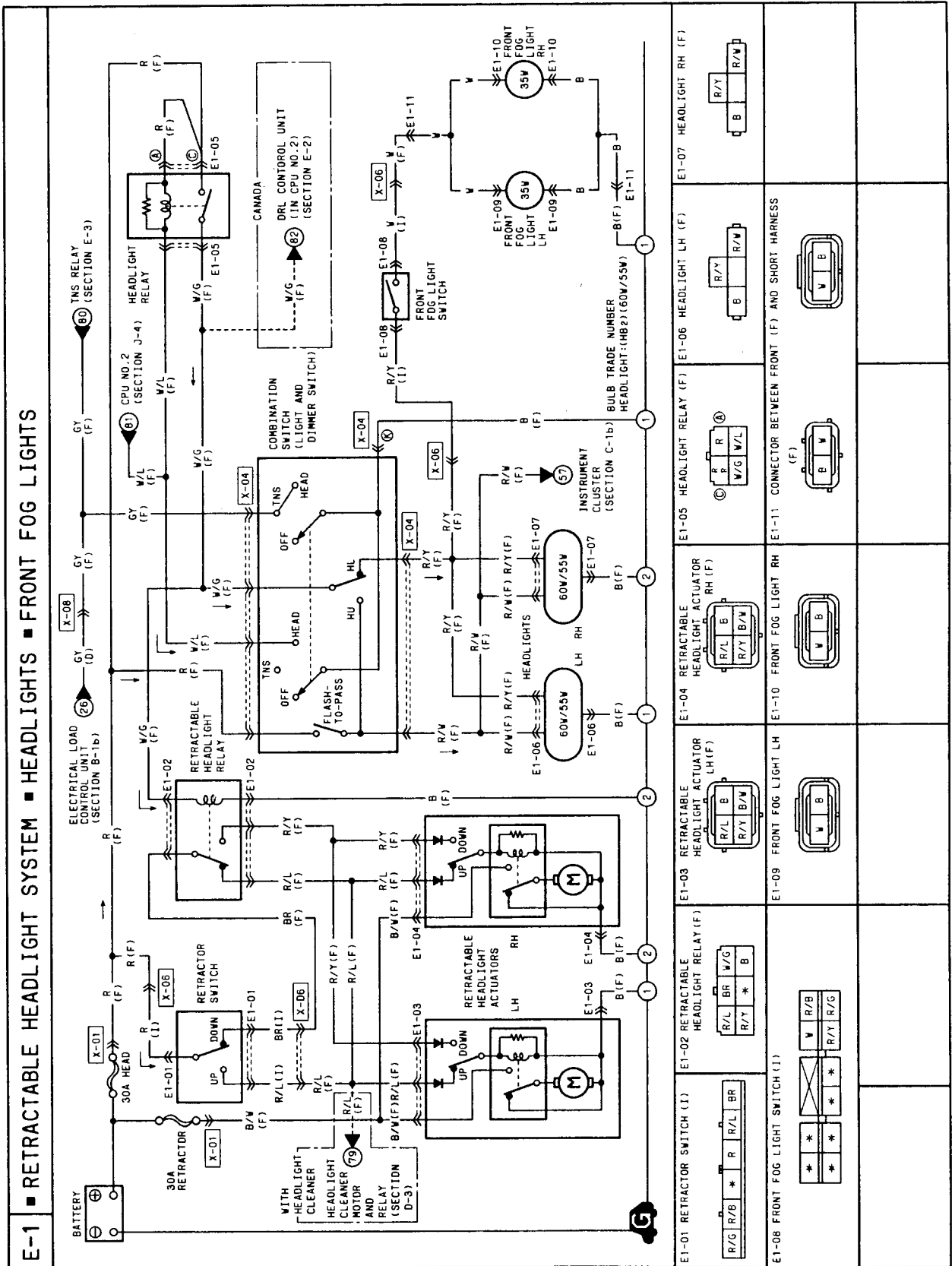
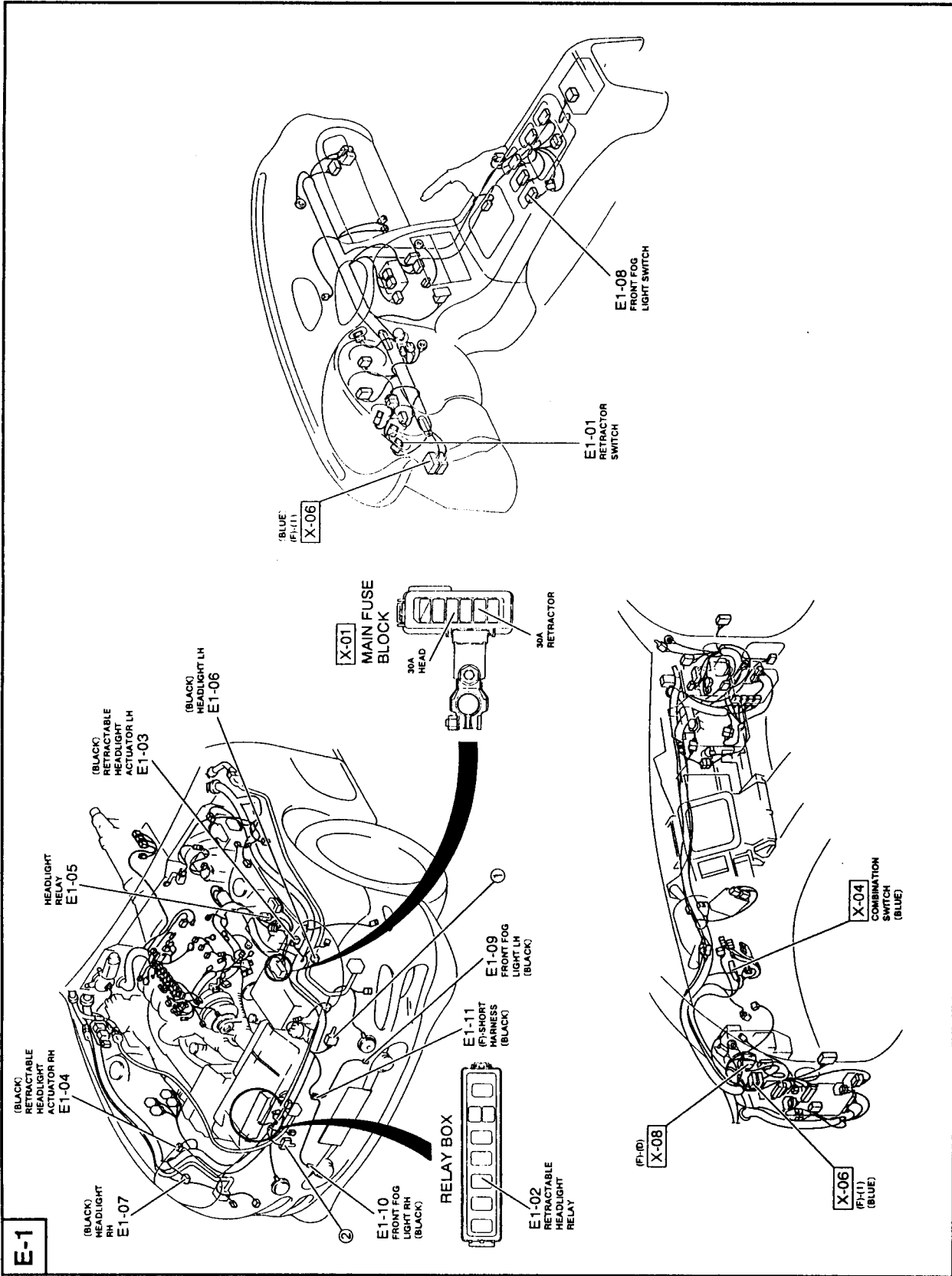


TROUBLESHOOTING
Headlights / Front Fog Lights
Circuit diagram



Connector locations



Checklist

Procedure / Proper operation	Symptom	Flowchart No. (page)
1. Turn headlight switch to second position. 2. Verify that TNS (parking light, taillight, and license plate light) illuminate. 3. Change headlight switch to high/low beam position and verify that headlight angle changes. 4. Verify that flash-to-pass operates normally with headlight switch at any position. 5. Turn the front fog light switch on and verify that front fog lights illuminate.	TNS and headlights do not illuminate	1 (E-10)
	TNS illuminate, but both headlights and front fog lights do not illuminate	2 (E-10)
	High-beam headlights do not illuminate	3 (E-12)
	Low-beam headlights do not illuminate	4 (E-13)
	Both high and low beam of one headlight does not illuminate	5 (E-13)
	Headlights illuminate, but cannot change to flash-to-pass, high beam, or low beam	6 (E-14)
	Front fog lights do not illuminate, but headlights illuminate	7 (E-15)
	Headlights do not illuminate, but front fog lights illuminate	8 (E-16)
	Headlight bulb(s) often burn out	9 (E-16)
1. Turn headlight switch to second position or turn on retractor switch. 2. Verify that headlights fully extend.	Retractable headlights do not operate	10 (E-17)
	Retractable headlights do not operate with headlight switch, but operate with retractor switch	11 (E-19)
	Retractable headlights do not operate with retractor switch, but operate with headlight switch	12 (E-19)
	One retractable headlight does not operate	13 (E-20)

47U0EX-507

TNS: Tail-number-side (taillights, license plate light, parking lights)

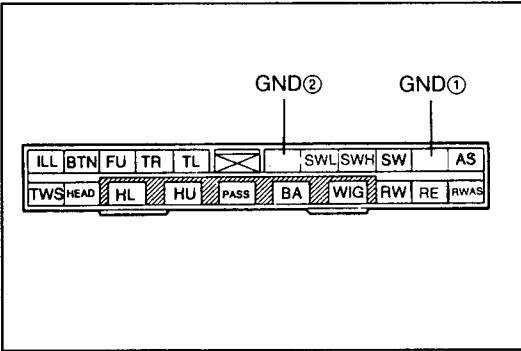
E

Flowchart No.1	Symptom	TNS and headlights do not illuminate
-----------------------	----------------	--------------------------------------

Possible cause

- Damaged combination switch
- Poor connection of connector

47U0EX-508



47U0EX-509

Remedy

1. Check for continuity between the terminals of the combination switch.

Terminal	Position						
	GND②	BTN	HEAD	BA	HL	HU	PASS
OFF							
Parking	○—○						
Headlight	Low	○—○	○—○	○—○			
	High	○—○	○—○	○—○		○—○	
Flash-to-pass						○—○	○—○

○—○ : Continuity

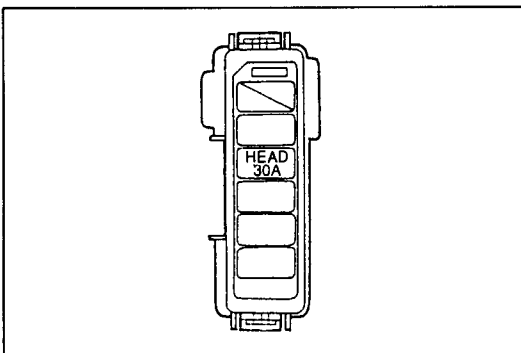
2. If normal, repair wiring harness (combination switch—ground).
3. If not as specified, replace the combination switch. (Refer to section Z4.)

Flowchart No.2	Symptom	TNS illuminate, but both headlights and front fog lights do not illuminate
-----------------------	----------------	--

Possible cause

- Burnt HEAD 30A fuse
- Damaged headlight relay
- Damaged combination switch
- Open or short circuit in wiring harness
- Poor connection of connector

47U0EX-510

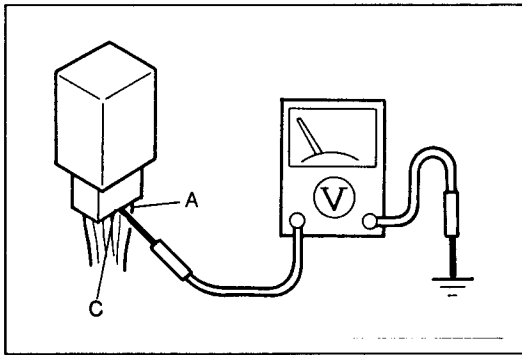


47U0EX-511

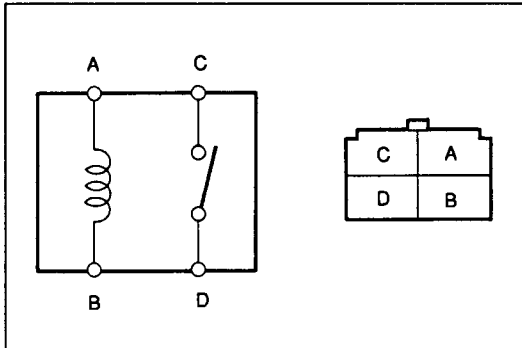
Step 1

Check the HEAD 30A fuse in the main fuse block.

Fuse	Action
OK	Go to Step 2
Burnt	Replace fuse after checking and repairing wiring harness



47U0EX-512



47U0EX-513

Step 2

Measure the voltage at terminals A (R) and C (R) of the headlight relay connector (4-pin).

B+: Battery positive voltage

Voltage	Action
B+	Go to Step 3
Other	Repair wiring harness (HEAD 30A fuse—Headlight relay)

Step 3

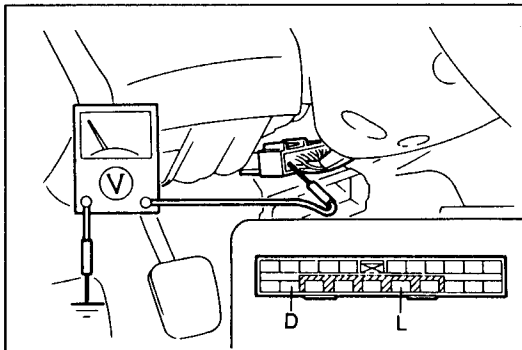
1. Disconnect the headlight relay connector and remove the headlight relay. (Refer to section Z2.)
2. Check for continuity between the terminals of the relay.

B+: Battery positive voltage

Connection		A	B	C	D
B+	GND				
—	—	○—○			
A	B			○—○	

○—○ : Continuity

3. If correct, install the headlight relay, connect the relay connector, and go to Step 3.
4. If not as specified, replace the headlight relay.



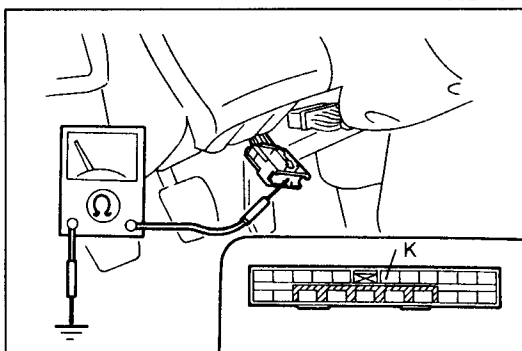
47U0EX-514

Step 4

1. Pull down the combination switch harness for access to the connector (21-pin).
2. Turn the headlight switch to the second position.
3. Measure the voltage at terminals D (W/L) and L (W/G) of the combination switch connector (21-pin).

B+: Battery positive voltage

Voltage	Action
B+	Go to Step 5
Other	Repair wiring harness (Headlight relay—Combination switch)

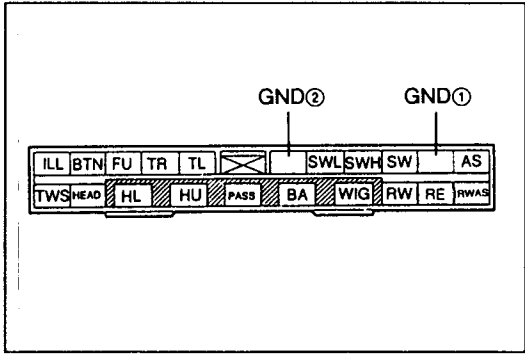


47U0EX-515

Step 5

1. Disconnect the combination switch connector (21-pin).
2. Check for continuity between terminal K (B) of the combination switch connector (21-pin) and ground.

Continuity	Action
Yes	Go to Step 5
No	Repair wiring harness (Combination switch—GND)



47U0EX-516

Step 6

1. Turn the headlight switch to the second position.
2. Check for continuity between the terminals of the combination switch (21-pin).

Position \ Terminal	GND②	BTN	HEAD	BA	HL	HU	PASS
Low	○	○	○	○	○		
High	○	○	○	○	○	○	

○—○ : Continuity

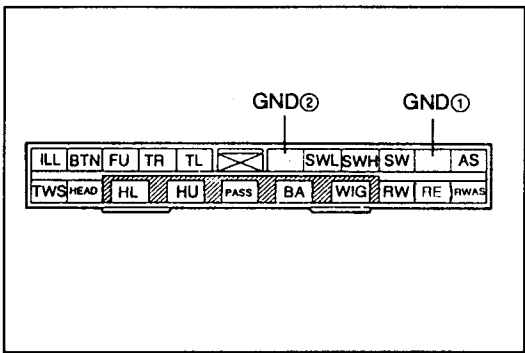
3. If correct, repair the wiring harness (combination switch—headlight, front fog light).
4. If not as specified, replace the combination switch. (Refer to section Z4.)

Flowchart No.3	Symptom	High-beam headlights do not illuminate
-----------------------	----------------	--

Possible cause

- Damaged combination switch
- Open or short circuit in wiring harness
- Poor connection of connector

47U0EX-517



47U0EX-518

Step 1

1. Disconnect the combination switch connector (21-pin).
2. Turn the headlight switch on (second position, high beam).
3. Check for continuity between the terminals of the combination switch (21-pin).

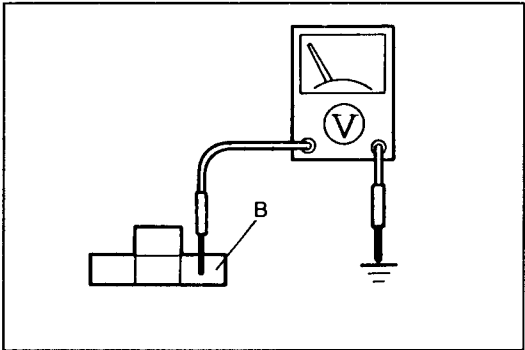
Position \ Terminal	GND②	BTN	HEAD	BA	HL	HU	PASS
High	○	○	○	○	○	○	

○—○ : Continuity

4. If correct, connect the combination switch connector and go to Step 2.
5. If not as specified, replace the combination switch. (Refer to section Z4.)

Step 2

1. Turn the headlight switch on (second position, high beam).
2. Measure the voltage at terminal B (R/W) of the headlight connector (3-pin).
3. If other than battery positive voltage, repair the wiring harness (combination switch—headlight).



47U0EX-519