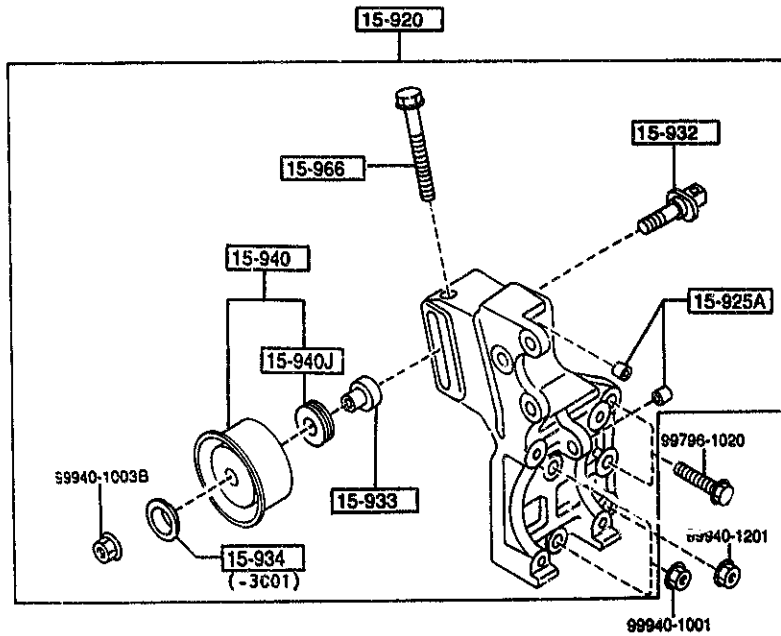
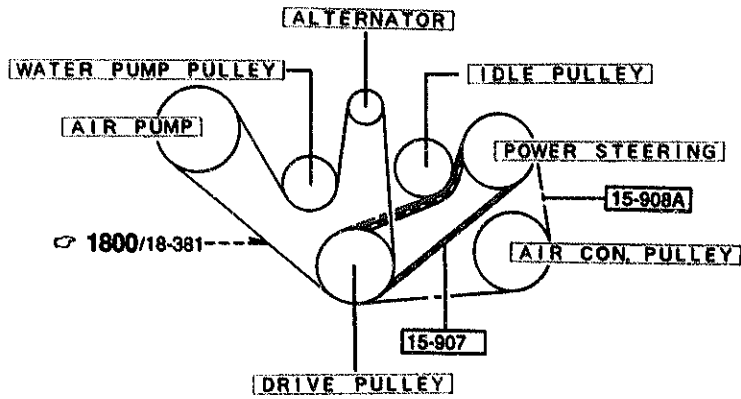


1580 BRACKET, PULLEY & BELT



1580 -1 M BRACKET, PULLEY & BELT

PART NO.	QTY	MODEL/RESTRICTION	MODEL/RESTRICTION	MODEL/RESTRICTION	FROM 10
15-907		BELT*V*			
NSA1-15-907	1	6PK-920 (W/ P.S.)			
15-908A		DELT,V			
NSA1-15-908	1	6PK-1045 (W/AIR CON.)			
5-920		BRACKET,COMPRESSOR			
NSA1-15-910A	1	(W/ P.S.)			
15-925A		BUSH			
N326-15-812	2	(W/ P.S.)			
15-932		SHAFT,PULLEY			
NSA1-15-932	1	(W/ P.S.)			-3C01
NSA1-15-932A	1	(W/ P.S.)			3C01-
15-933		COLLAR,COMP.BRKT			
NSA1-15-933	1	(W/ P.S.)			-3C01
NSA1-15-933A	1	(W/ P.S.)			3C01-
15-934		COVER,DUST			
NSA1-15-934	1	(W/ P.S.)			-3C01
15-940		PULLEY,IDLE			
NSA1-15-94V	1	(W/ P.S.)			
15-940J		BEARING			
99606-23030	1	(W/ P.S.)			
15-966		BOLT,ADJUST			
NSA1-15-966	1	(W/ P.S.)			

3C01 FD335\*-301464

