

8

7

6

5

4

3

2

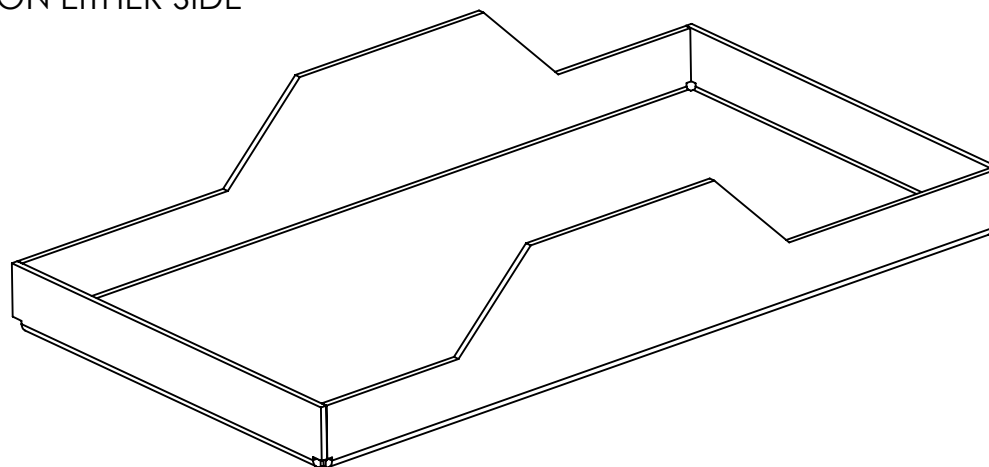
1

REV	DESCRIPTION	INIT	CHEC	DATE
1	PROTOTYPE	A.A.A	B.B.B	1/1/01

D

D

THE RAISED UP SECTIONS
ARE OPPOSITELY OFFSET
ON EITHER SIDE



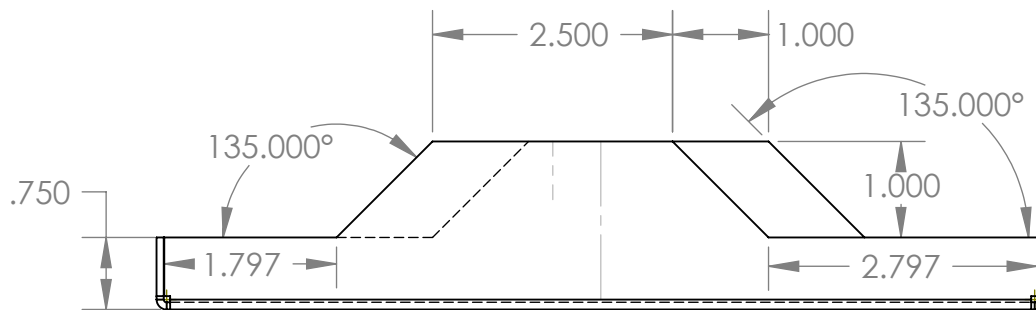
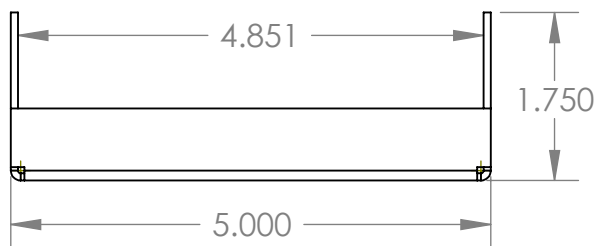
C

C

9.250

B

B



A

A

TRAY		INIT	CHEC	DATE
		AMR	CHEC	3.15.2004
MATERIAL AND FINISH		PROJECT	PART #	
14 GAUGE COLD ROLLED STEEL		RX7		
SCALE		SHEET #	REV #	
1:2		7 of 8	1	

THE INFORMATION CONTAINED IN THIS DRAWING IS THE SOLE PROPERTY OF BEST BUY CO., INC. AND ANY PRODUCTION IN PART OR WHOLE WITHOUT THE PERMISSION OF BEST BUY CO., INC. IS PROHIBITED.