

8

7

6

5

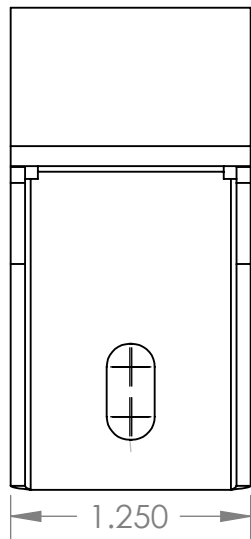
4

3

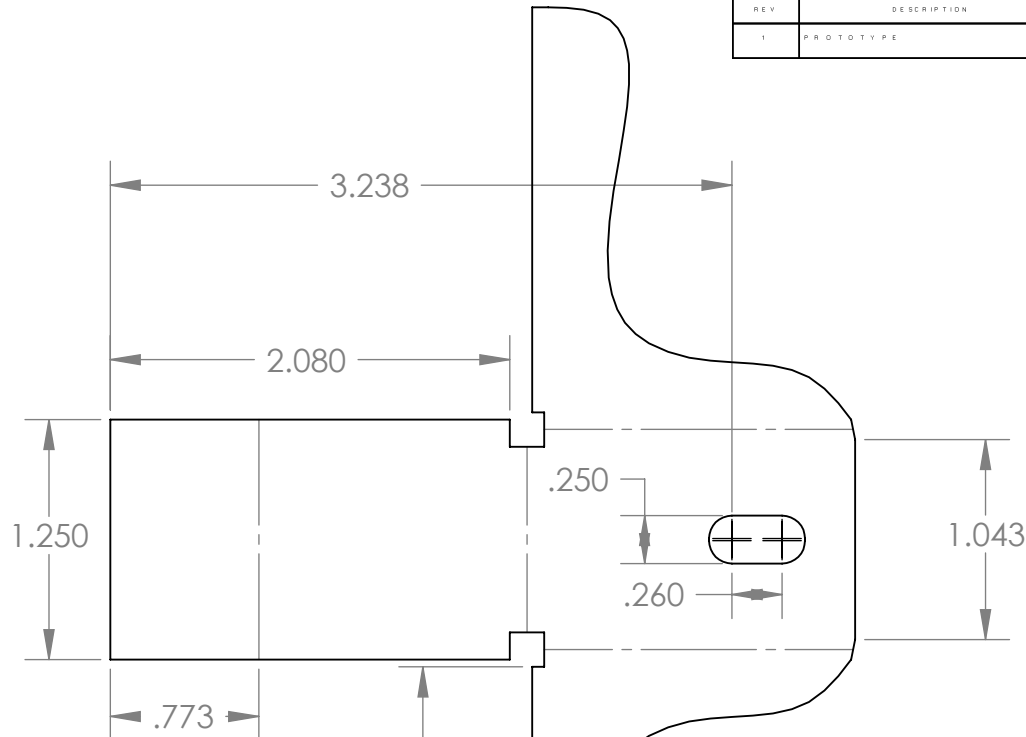
2

1

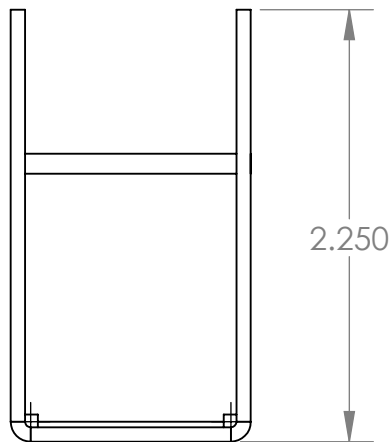
REV	DESCRIPTION	INIT	CHEC	DATE
1	PROTOTYPE	A.A.A	B.B.B	11/1/01



TOP



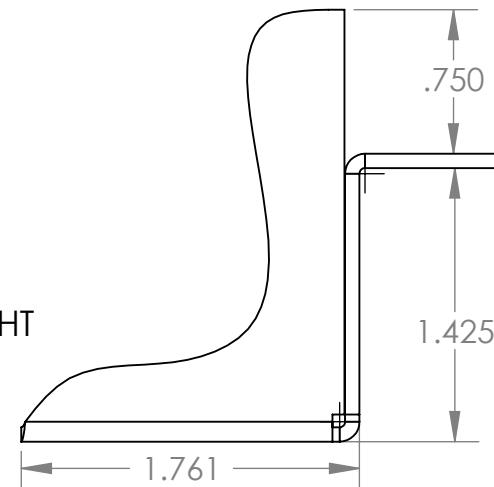
FLAT PATTERN



FRONT

2.109

RIGHT



SIDE EAR		INIT AMR	CHEC CHEC	DATE 3.18.2004
MATERIAL AND FINISH 14 GAUGE COLD ROLLED STEEL		PROJECT RX7	PART #	PART #
SCALE 1:1		SHEET # 5 of 8	REV # 1	

THE INFORMATION CONTAINED IN THIS DRAWING IS THE SOLE PROPERTY OF BEST BUY CO., INC. AND ANY PRODUCTION IN PART OR WHOLE WITHOUT THE PERMISSION OF BEST BUY CO., INC. IS PROHIBITED.