

8

7

6

5

4

3

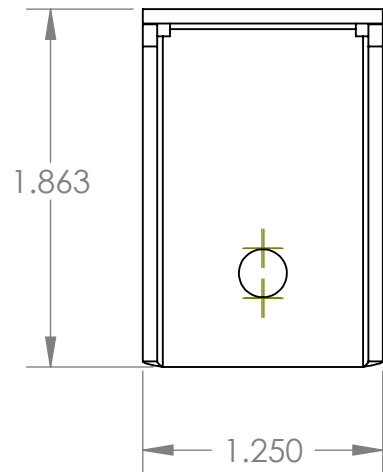
2

1

REV	DESCRIPTION	INIT	CHEC	DATE
1	PROTOTYPE	A.A.A	B.B.B	1/1/01

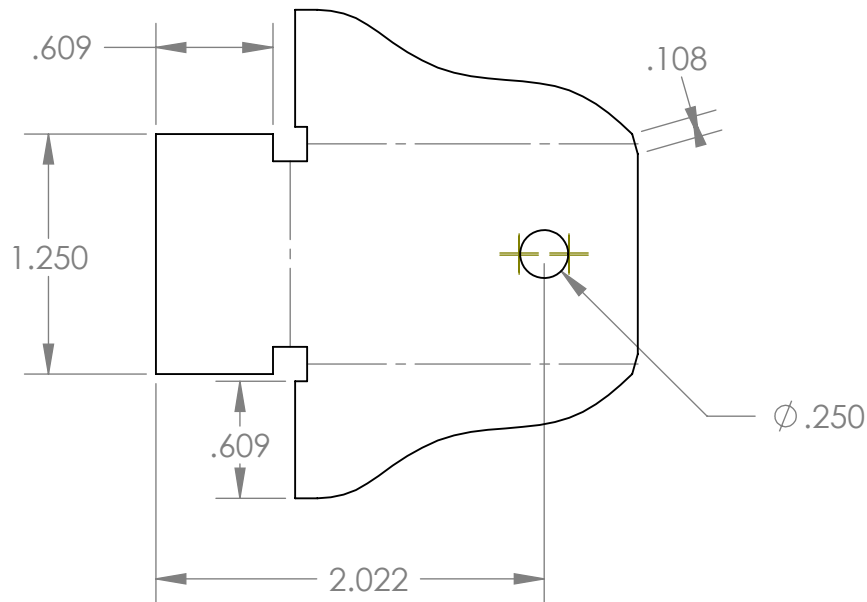
D

D



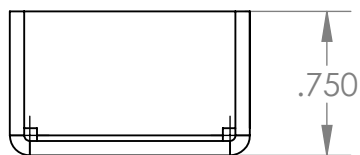
C

C



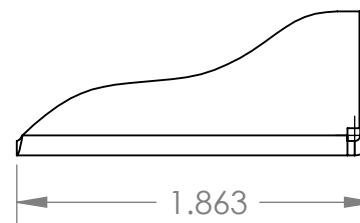
B

B



A

A



### END EAR - CIRCLE HOLE

MATERIAL AND FINISH  
14 GAUGE COLD ROLLED STEEL

INIT AMR	CHEC CHEC	DATE 3.18.2004
PROJECT RX7	PART #	PART #
SCALE 1:1	SHEET # 4 of 8	REV # 1

THE INFORMATION CONTAINED IN THIS DRAWING IS THE SOLE PROPERTY OF BEST BUY CO., INC. AND ANY PRODUCTION IN PART OR WHOLE WITHOUT THE PERMISSION OF BEST BUY CO., INC. IS PROHIBITED.