

8 7 6 5 4 3 2 1

REV	DESCRIPTION	INIT	CHEC	DATE
1	PROTOTYPE	A.A.A	B.B.B	1/1/01

D

C

B

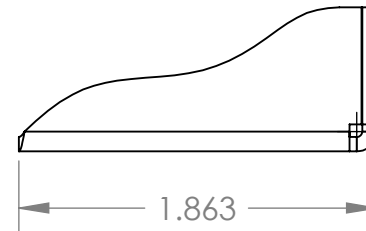
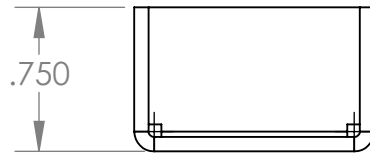
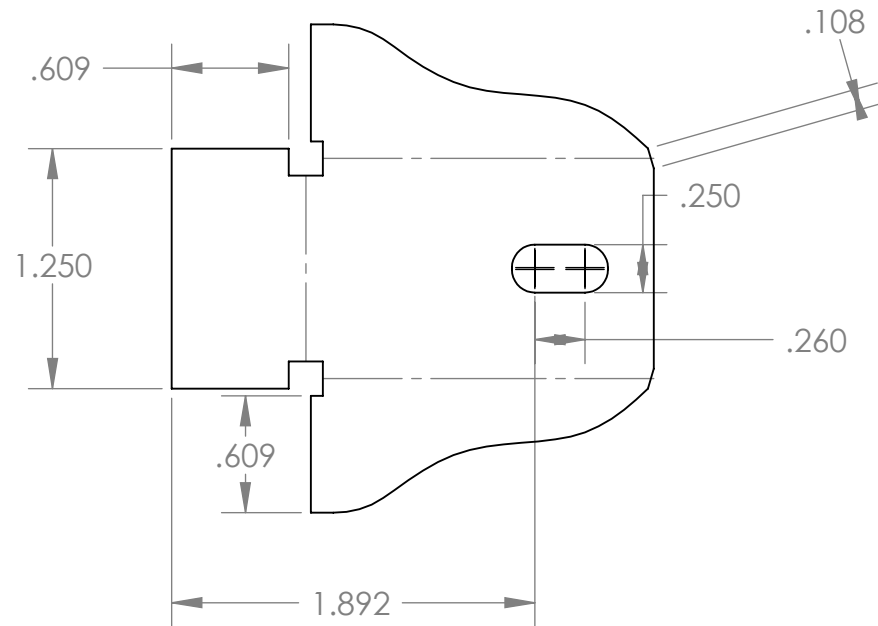
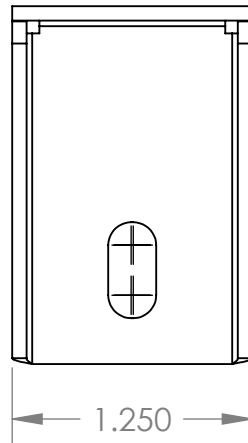
A

D

C

B

A



<b>END EARS</b>		INIT	AMR	CHEC	CHEC	DATE	3.18.2004
		MATERIAL AND FINISH	14 GAUGE COLD ROLLED STEEL		PROJECT	RX7	PART #
		SCALE	1:1	SHEET #	3 of 8	REV #	1

THE INFORMATION CONTAINED IN THIS DRAWING IS THE SOLE PROPERTY OF BEST BUY CO., INC. AND ANY PRODUCTION IN PART OR WHOLE WITHOUT THE PERMISSION OF BEST BUY CO., INC. IS PROHIBITED.