

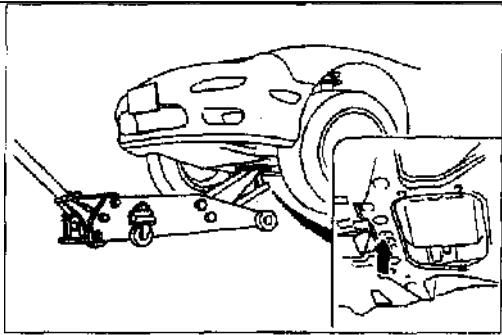
# **G I JACK NO SAFETY WNW POOMNSAOICLE LFT Pawpaw Type) Posrntctis**

## **JACK AND SAFETY STAND POSITIONS**

### **FRONT**

**Jack position:**

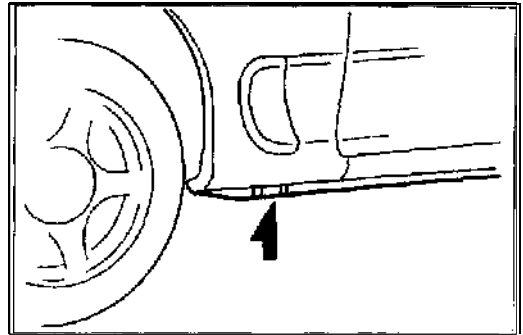
At center of crossmember



07UGIX-004

**Safety stand positions:**

At both sides of body frame

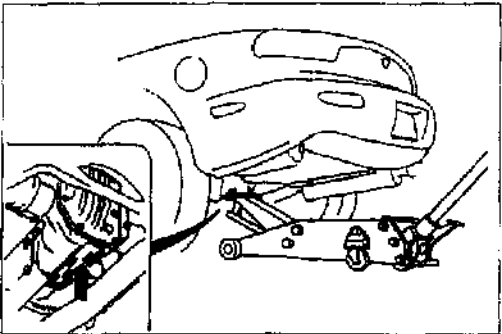


07UGV-005

### **REAR**

**Jack position:**

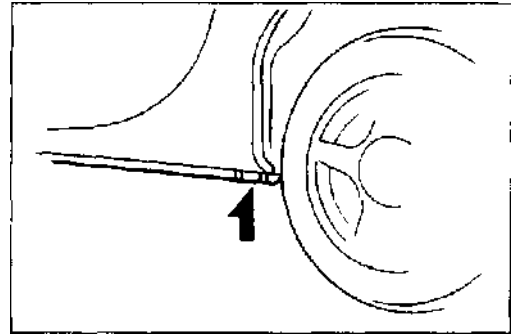
At the center of the differential



07UGIX-006

**Safety stand positions:**

At both sides of body frame



07UGIX-007

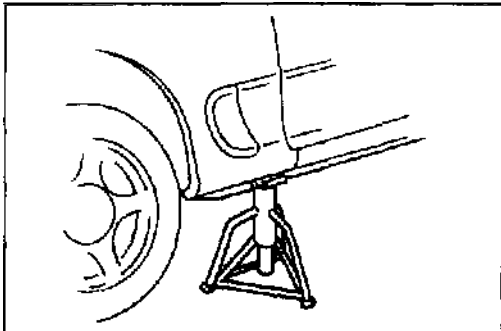
## **VEHICLE LIFT (2-SUPPORT TYPE)**

### **POSITIONS**

#### **FRONT END**

Frame

Side sills

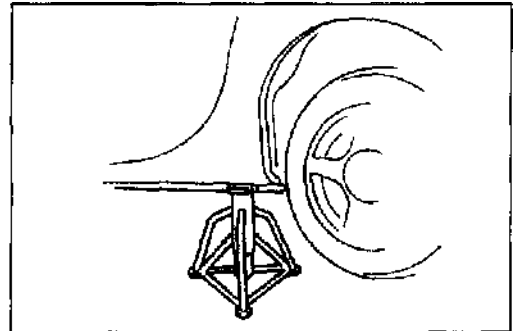


9MUGIX-010

#### **REAR END**

Frame

Side sills



9MUGIX-011