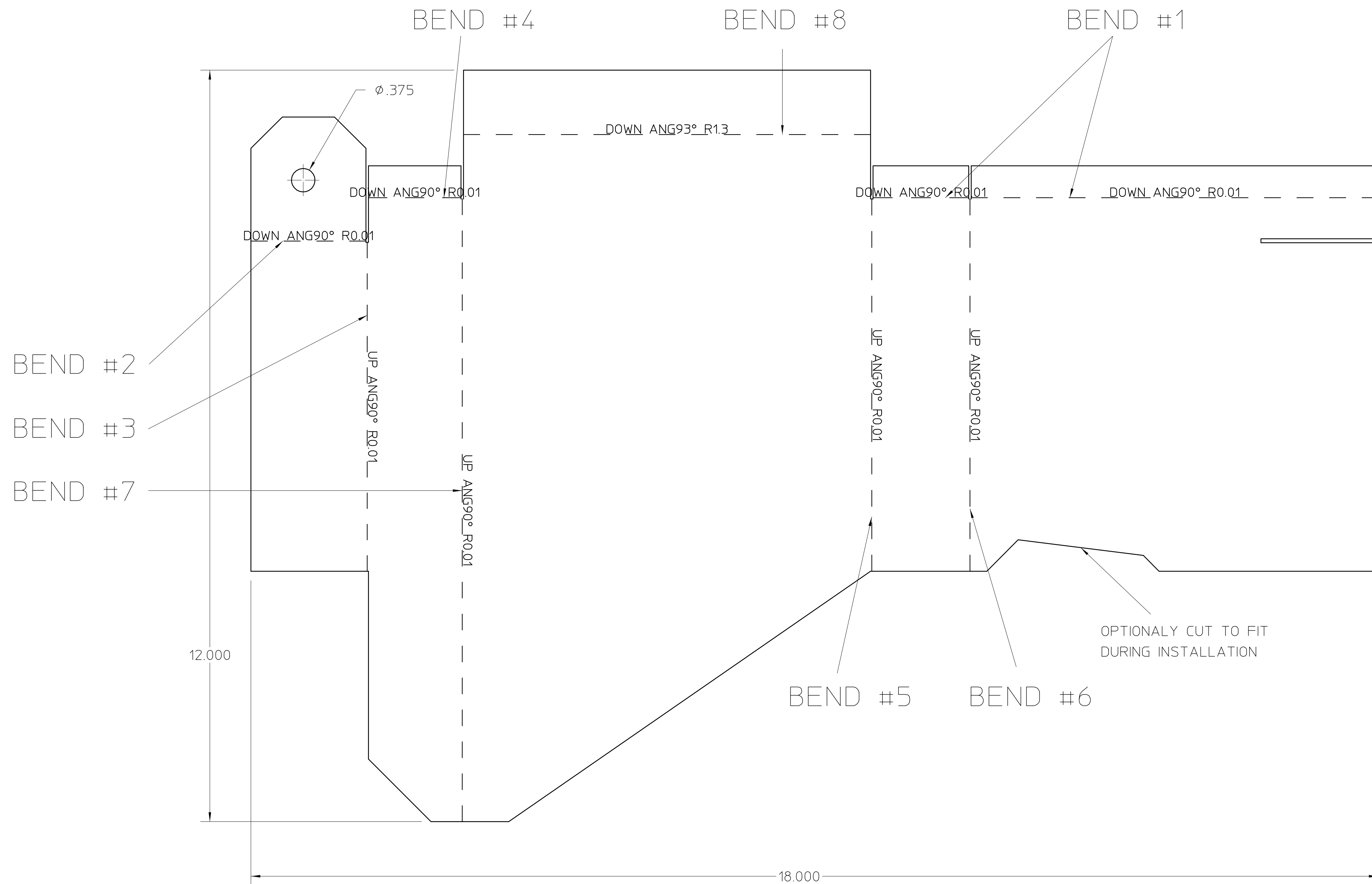
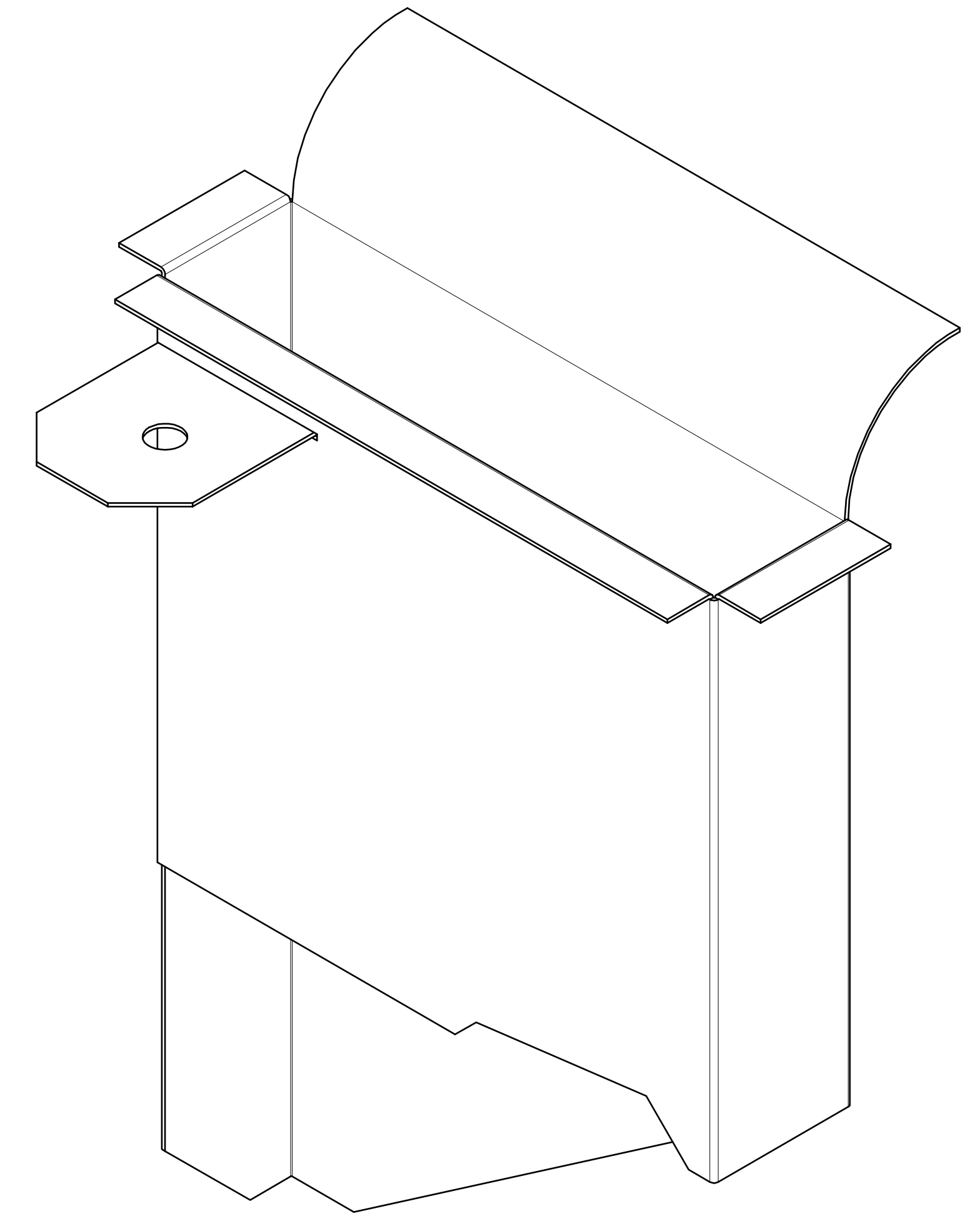


EVEN CHEAPER BASTARD COLD AIR INTAKE OEM FD3S AIR BOX MODIFICATION DUCT



SHEET LAYOUT



ISOMETRIC

NOTES:

1. 12 x 18 x 0.04 inch Aluminum sheet is fine for this project - inexpensive and easy to bend
2. Lightly mist back of template with spray mount adhesive and let dry 10 minutes before applying to sheet for easier removal later
3. Cut, bend, and fit, optionally customizing the notch to fit your actual radiator bracket during install
4. With template still in place, install and mount air box. Shoot spray paint from under the car to mark, then drill, saw, file the required air box cutout
5. Remove template, clean gunk with GooGone, install closed cell weatherstrip as needed to make a good seal with the air box cutout
6. Use standard 10 mm head bolt to secure in place with the existing (unused) tapped hole in the chassis