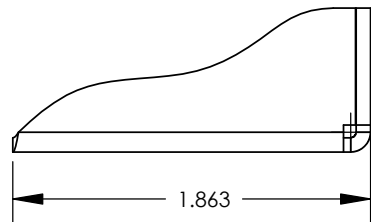
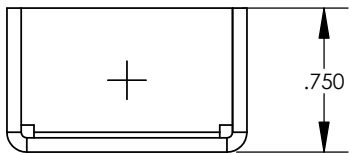
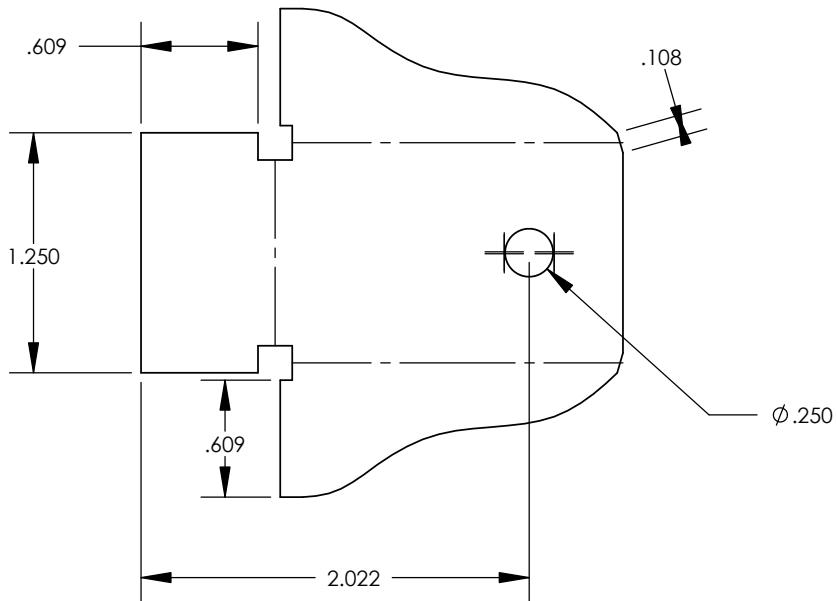
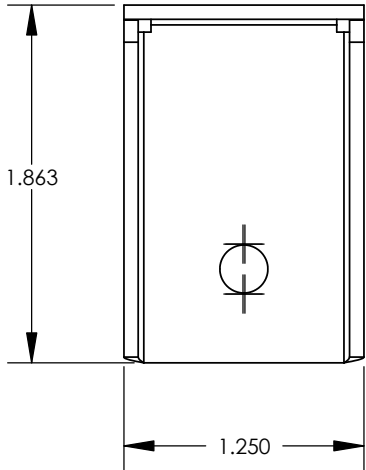


8 7 6 5 4 3 2 1

REV	DESCRIPTION	INIT	CHEC	DATE
1	PROTOTYPE	AAA	BBB	1/1/01



END EAR - CIRCLE HOLE		INIT	CHEC	DATE
MATERIAL AND FINISH		AMR	CHEC	3.18.2004
14 GAUGE COLD ROLLED STEEL		PROJECT	PART #	PART #
		RX7		
SCALE		SHEET #	REV #	
1:1		4 of 8	1	

THE INFORMATION CONTAINED IN THIS DRAWING IS THE SOLE PROPERTY OF BEST BUY CO., INC. AND ANY PRODUCTION IN PART OR WHOLE WITHOUT THE PERMISSION OF BEST BUY CO., INC. IS PROHIBITED.