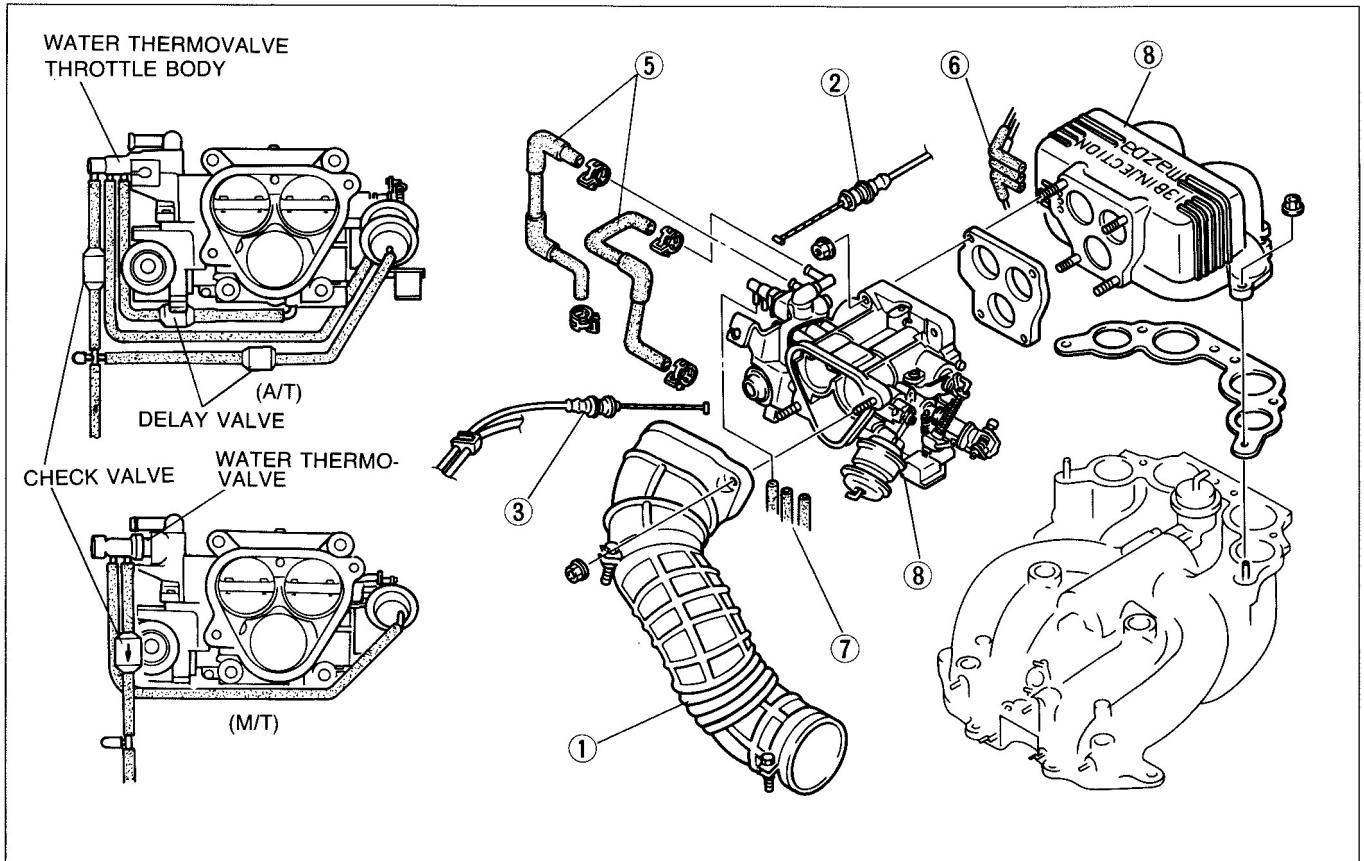


THROTTLE BODY



97U0F1-031

Removal

1. Drain the engine coolant from the radiator.
2. Remove in the order shown in the figure.

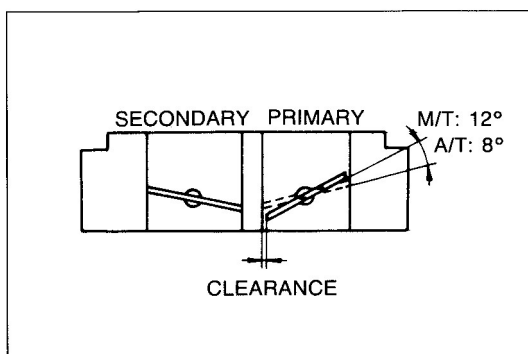
- ① Airfunnel
- ② Accelerator cable
- ③ Cruise control cable (If equipped)
- ④ Connectors
- ⑤ Water hoses
- ⑥ Vacuum tubes
- ⑦ Air hoses
- ⑧ Throttle body, water thermo valve and dynamic chamber

Caution

Cover the intake manifold opening with a clean cloth to prevent dust or dirt from entering after the throttle body and dynamic chamber are removed.

Installation

Install in the reverse order of removal. Tighten all nuts and bolts to the specified torque.



97U0F1-032

Inspection

No.1 secondary throttle valve

1. Remove the air funnel from the throttle body.
2. Check the clearance between the primary throttle valve and the wall of the throttle bore when the No.1 secondary throttle valve starts to open.

Standard clearance:

M/T: 0.5—0.7mm (0.02—0.03 in)

A/T: 0.8—1.4mm (0.03—0.06 in)