

4

3

2

1

10	9	8	7	6	5	4	3	2	1	SHEET	REV STATUS	REVISIONS			
									-	REV	OF SHEETS	LTR	DESCRIPTION	DATE	APPROVED
												-	INITIAL RELEASE	YY/MM/DD	NAME

NOTES:

CAD MAINTAINED. CHANGES SHALL BE INCORPORATED BY THE DESIGN ACTIVITY.

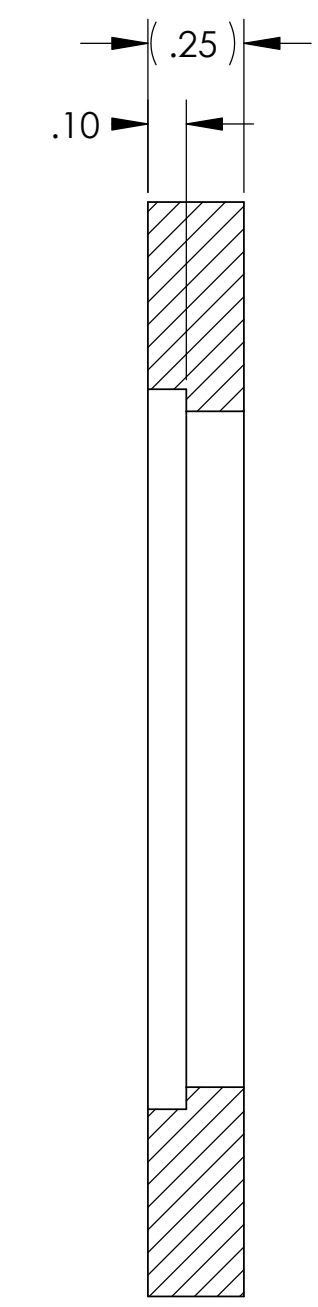
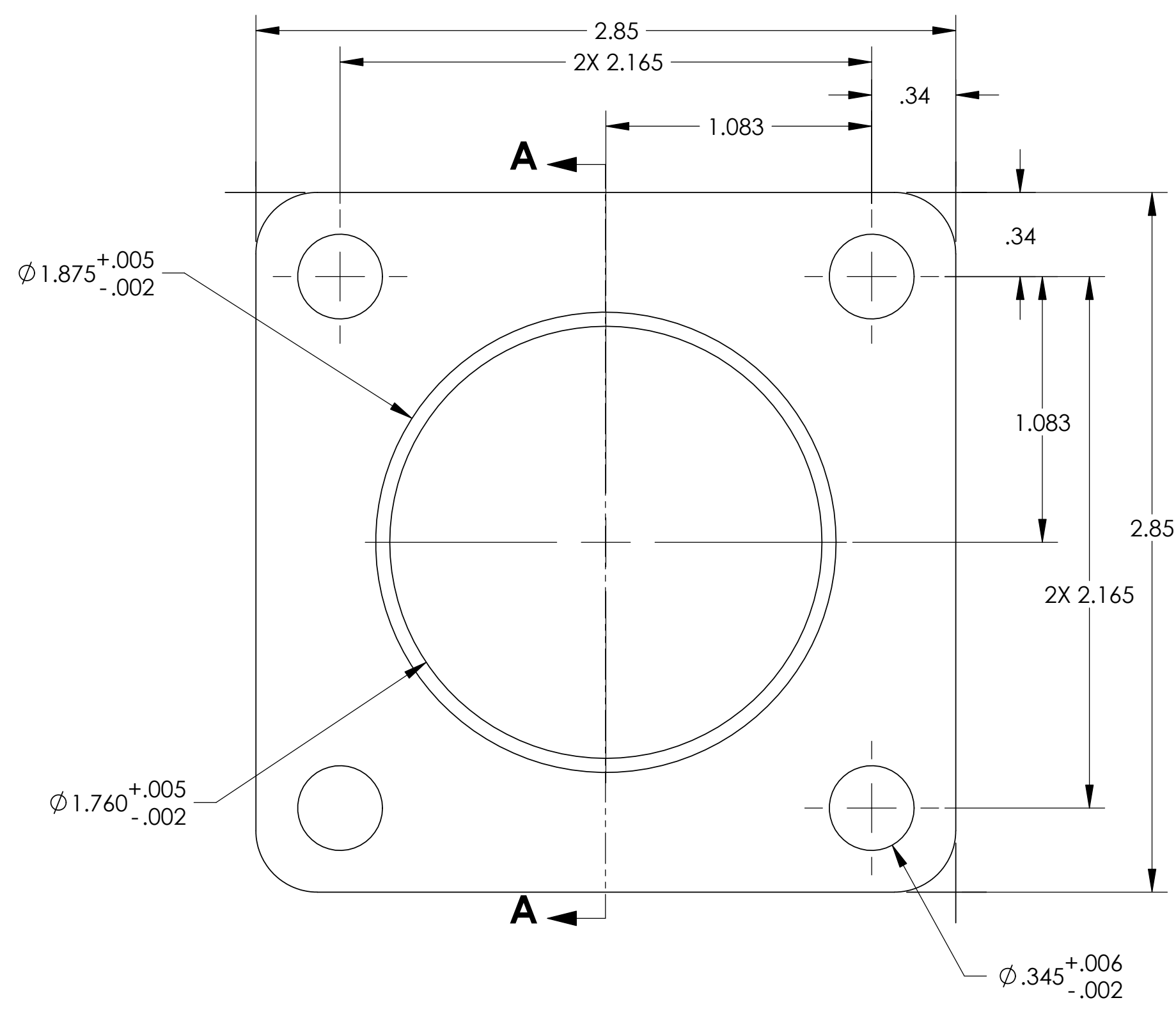
D

D

C

C

B



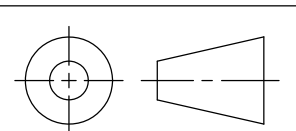
SECTION A-A

DWG SH 1 REV -

A

A

THIRD ANGLE PROJECTION



UNLESS OTHERWISE SPECIFIED
DIMENSIONS ARE IN INCHES-TOLERANCES ON:
DO NOT SCALE DRAWING

DECIMALS .XX± .03 .XXX± .010	ANGLES ± 2°
MATERIAL:	
FINISH:	

DRAWN	HONDAKILLER
CHECKED	
MECH DESIGN	
ELEC DESIGN	
PROJ ENGR	

TITLE			
FLANGE, WASTEGATE - GREDDY			
SIZE	CAGE CODE	DRAWING NO.	REV
C			-
SCALE	SHEET		1 OF 1
1/1			

4

3

2

1