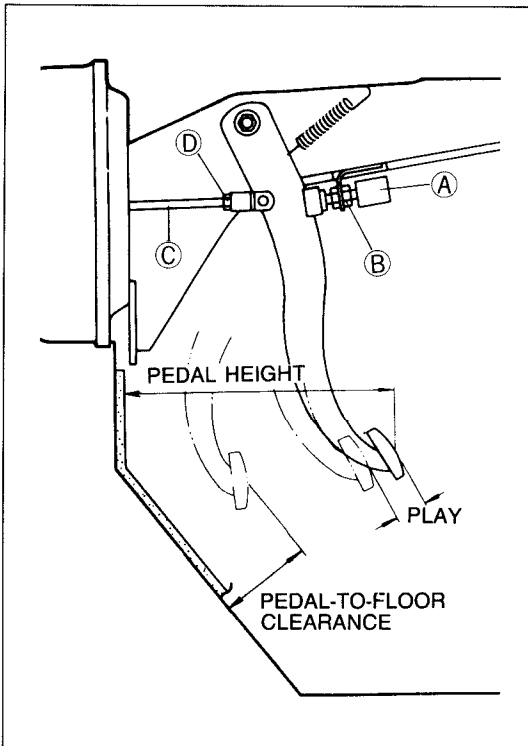
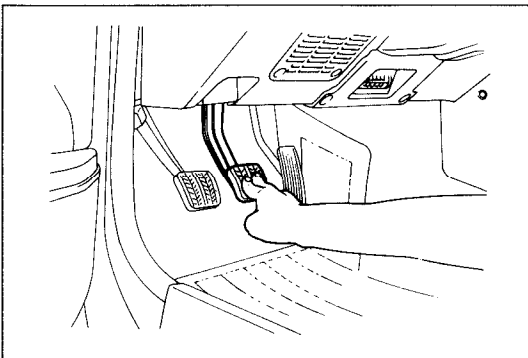


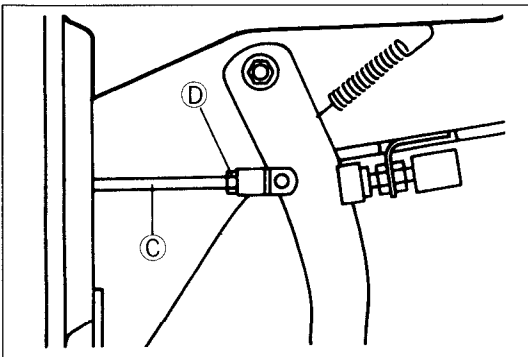
P CONVENTIONAL BRAKE SYSTEM



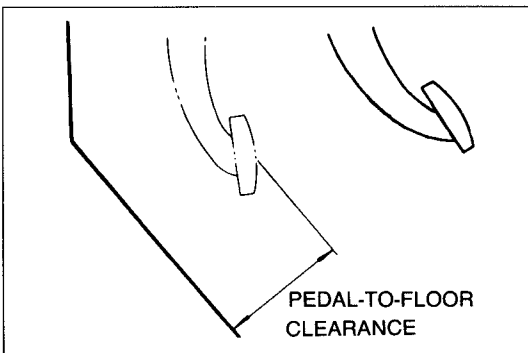
97U0PX-014



9MU0PX-015



9MU0PX-016



97U0PX-015

BRAKE PEDAL

On-vehicle Inspection

Pedal height Inspection

Check that the distance from the center of the upper surface of the pedal pad to the carpet is as specified.

**Pedal height: 184—189mm (7.24—7.44 in)
(With carpet)**

Adjustment

1. Disconnect the stoplight switch connector.
2. Loosen locknut B and turn switch A until it does not contact the pedal.
3. Loosen locknut D and turn rod C to adjust the height.
4. Adjust the pedal free play and tighten locknut D.
5. Turn the stoplight switch until it contacts the pedal; then turn an additional 1/2 turn. Tighten locknut B.

Locknut B tightening torque:

14—18 N·m (1.4—1.8 m·kg, 10—13 ft·lb)

Locknut D tightening torque:

24—34 N·m (2.4—3.5 m·kg, 17—25 ft·lb)

Pedal play Inspection

Inspection

1. Depress the pedal a few times to eliminate the vacuum in the system.
2. Gently depress the pedal again by hand and check the free play (until the valve plunger contacts the stopper plate = until the power piston begins to move).

Pedal play: 4—7mm (0.16—0.28 in)

Adjustment

Loosen locknut D of operating rod C; then turn the rod to adjust the free play.

Locknut D tightening torque:

24—34 N·m (2.4—3.5 m·kg, 17—25 ft·lb)

Pedal-to-floor clearance Inspection

Inspection

Check that the distance from the floor panel to the center of the upper surface of the pedal pad is as specified when the pedal is depressed with a force of **589 N (60 kg, 132 lb)**.

**Pedal-to-floor clearance: 100mm (3.94 in) min.
(Without carpet)**

If the distance is less than specified, check for the following problems:

1. Air in brake system
2. Malfunction of automatic adjuster
3. Worn pads