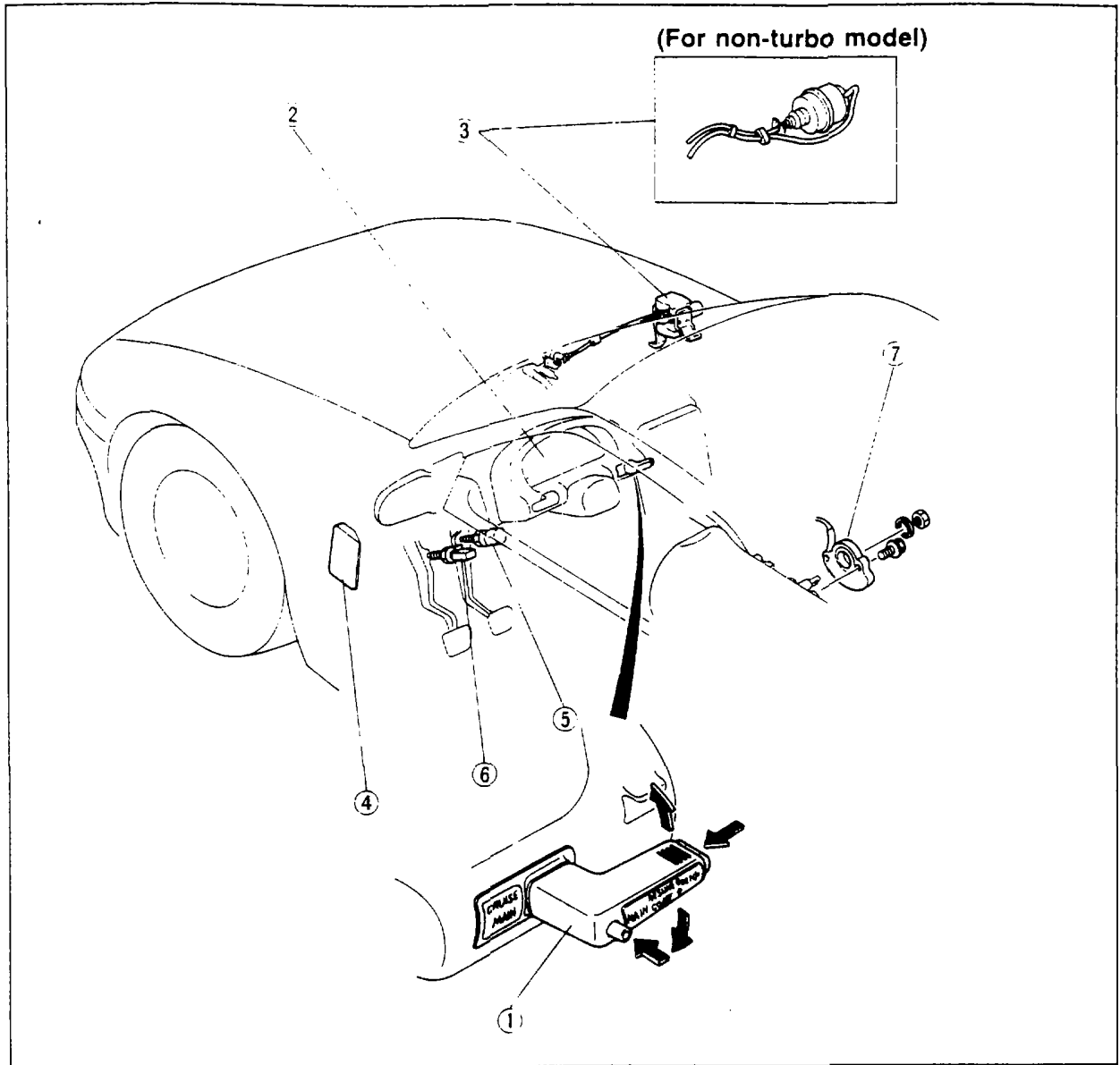


CRUISE CONTROL SYSTEM

STRUCTURAL VIEW



77U15X-094

- | | |
|--------------------------------|-------------------------------------|
| 1. Cruise control switch | 5. Stop light switch |
| 2. Speed sensor (in the meter) | 6. Clutch switch (for M/T model) |
| 3. Actuator | 7. Inhibitor switch (for A/T model) |
| 4. Cruise control unit | |