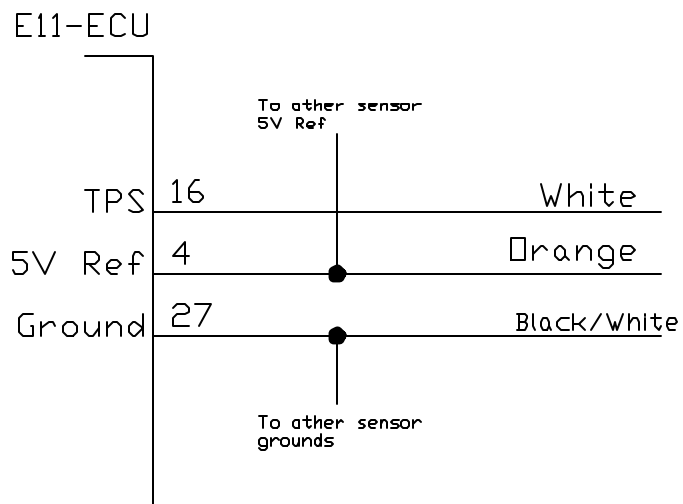
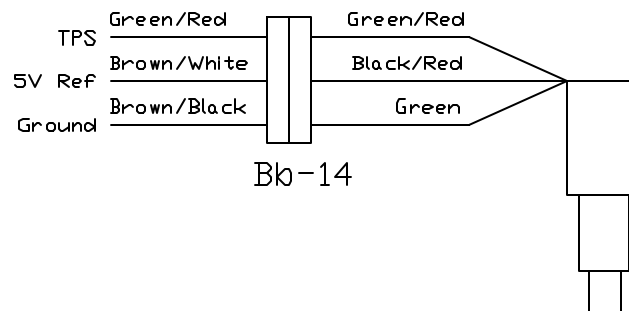
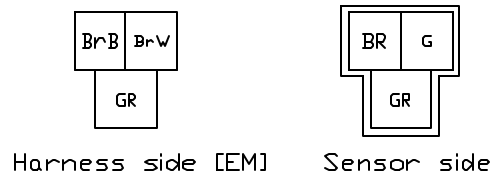


Connector Bk-14



K2RD	RX7 FC3S (87-88) TPS Sensor			
	DATE 03/24/2003	DRAWN PK	SHEET E6K/E11	DWG NO. TP01
	APP	REV		