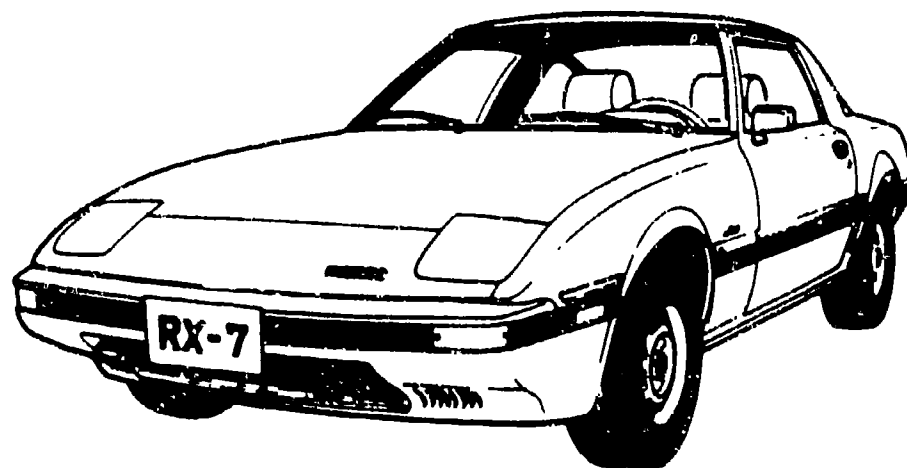


Parts Catalog

Mazda RX-7
U.S.A.
('84-'85)

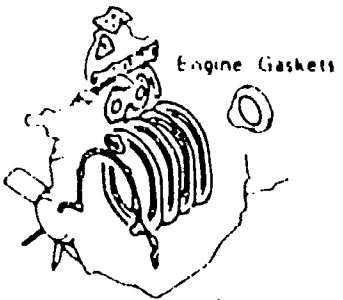
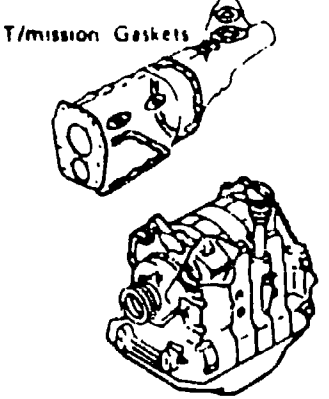
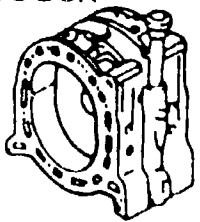
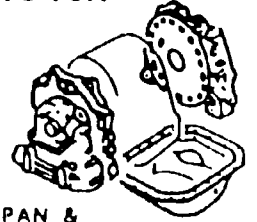
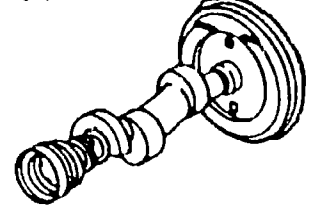
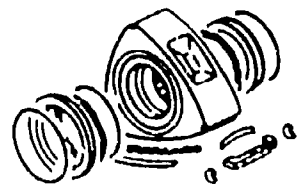
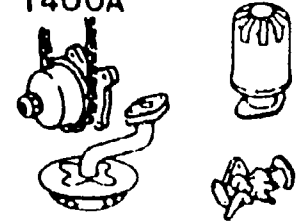
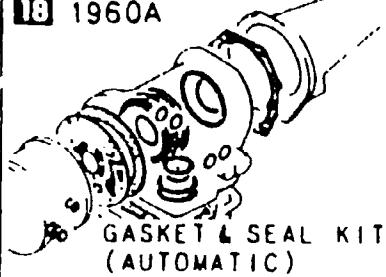
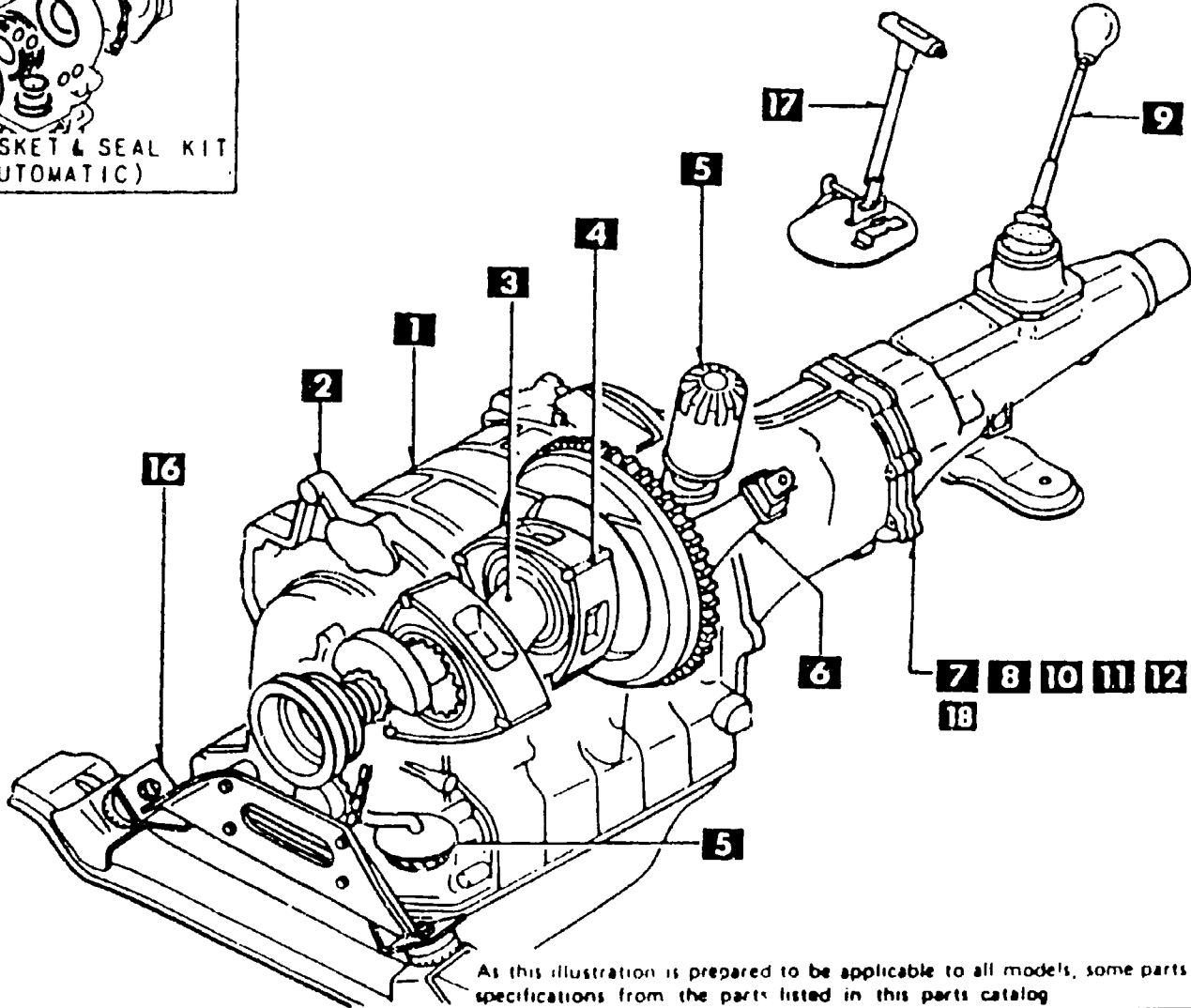
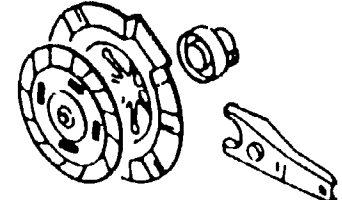
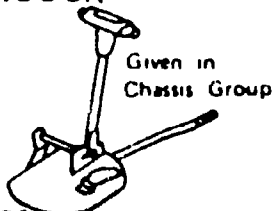
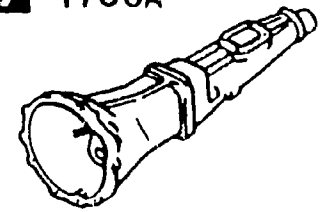
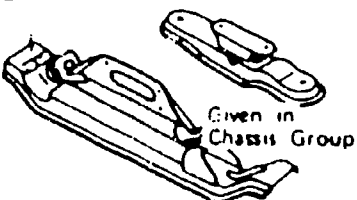
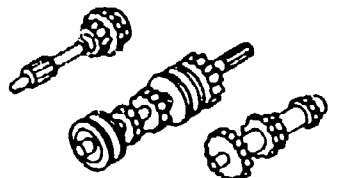
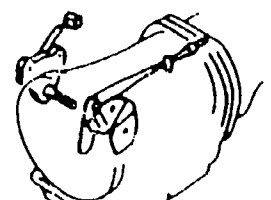
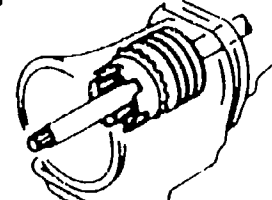
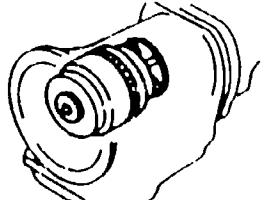
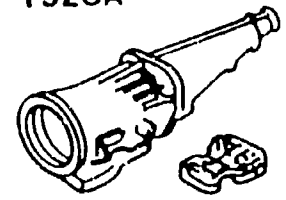
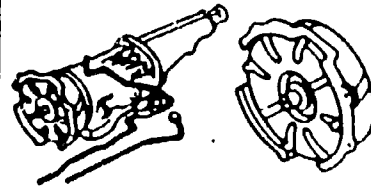
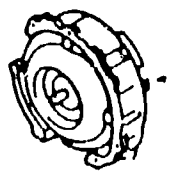


(F833--800001~990000)

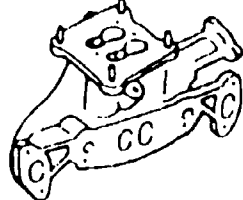
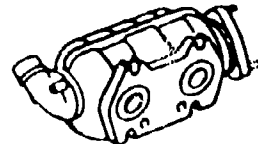
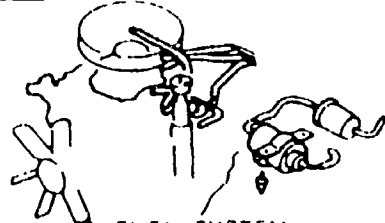
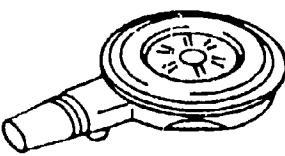
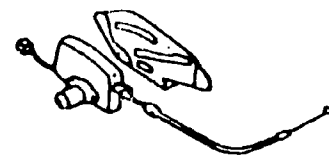
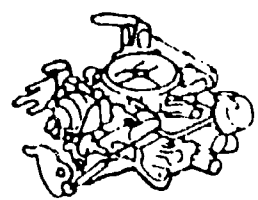
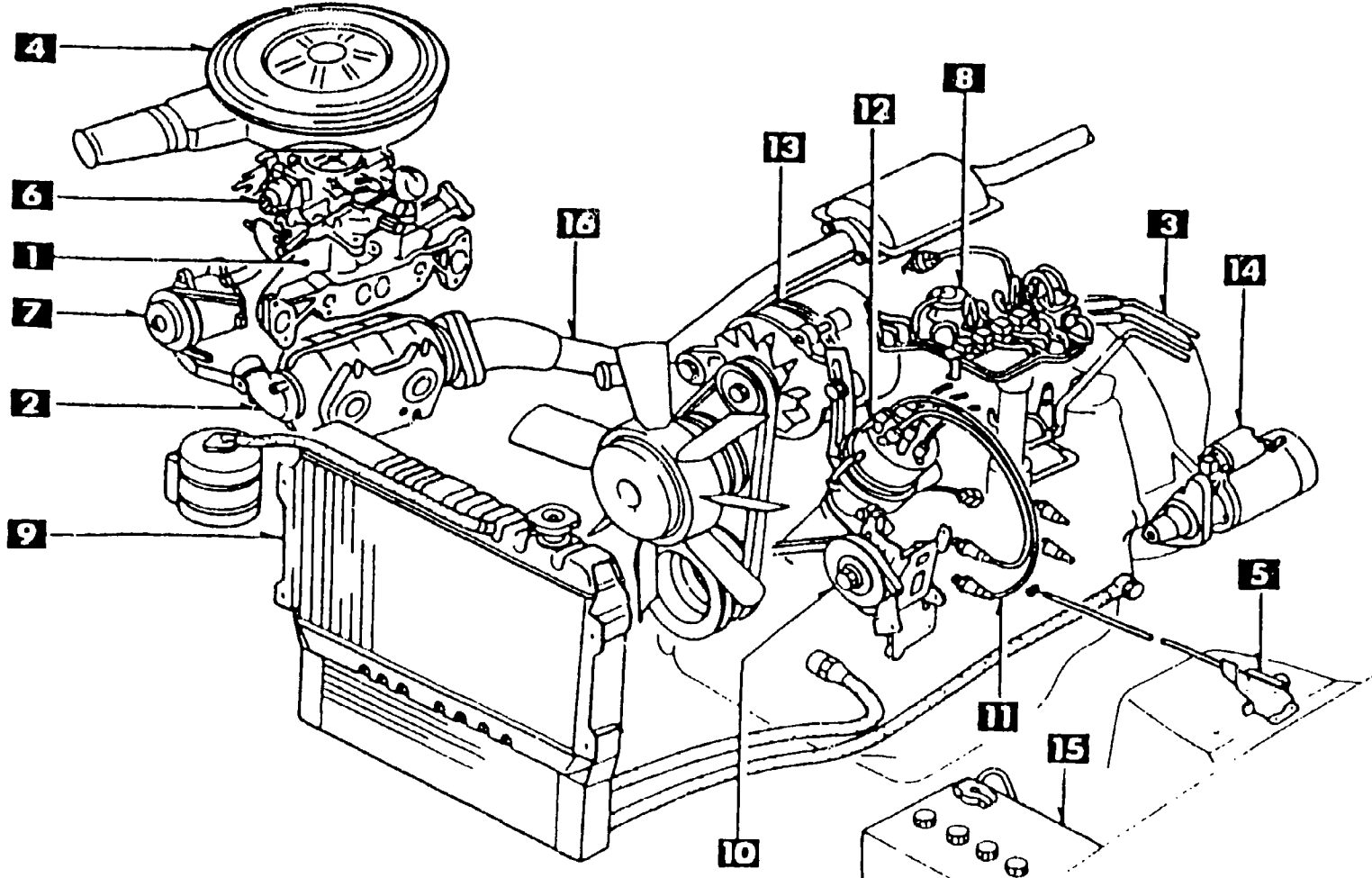


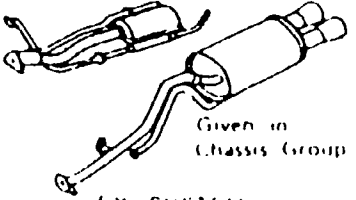
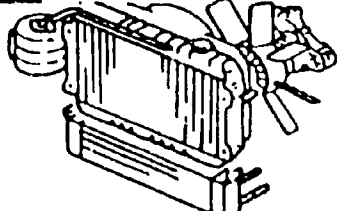
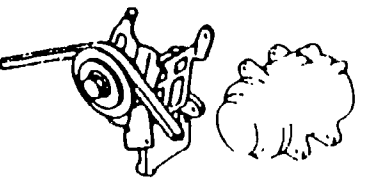
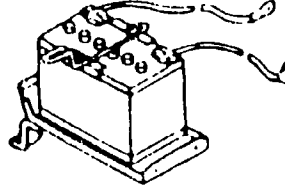
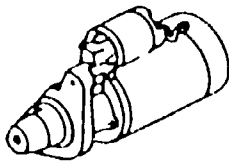
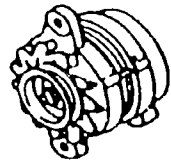
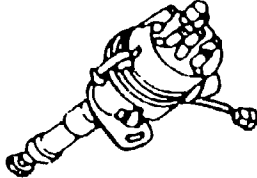
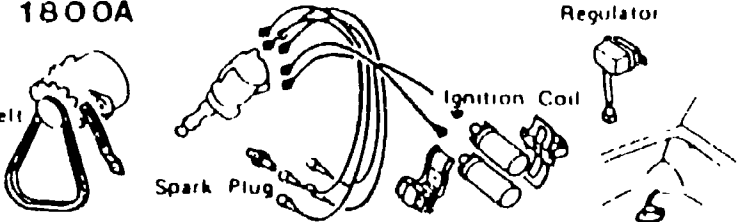
Aug. '91

MAZDA

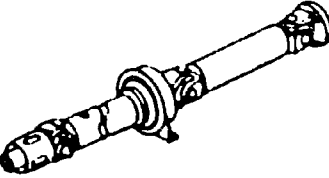
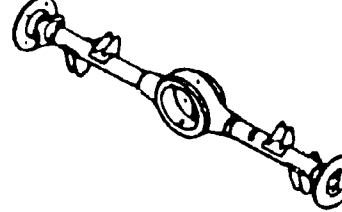

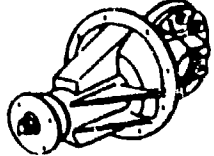
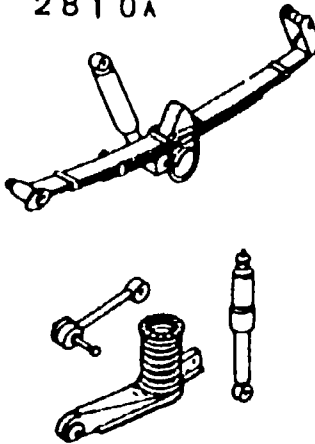
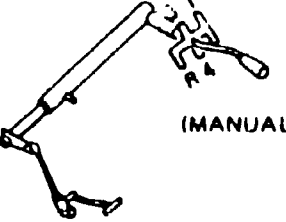
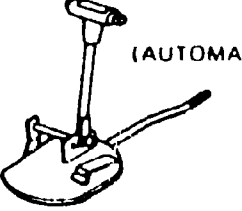
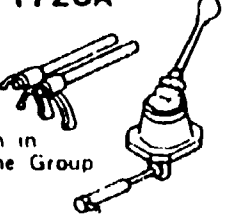
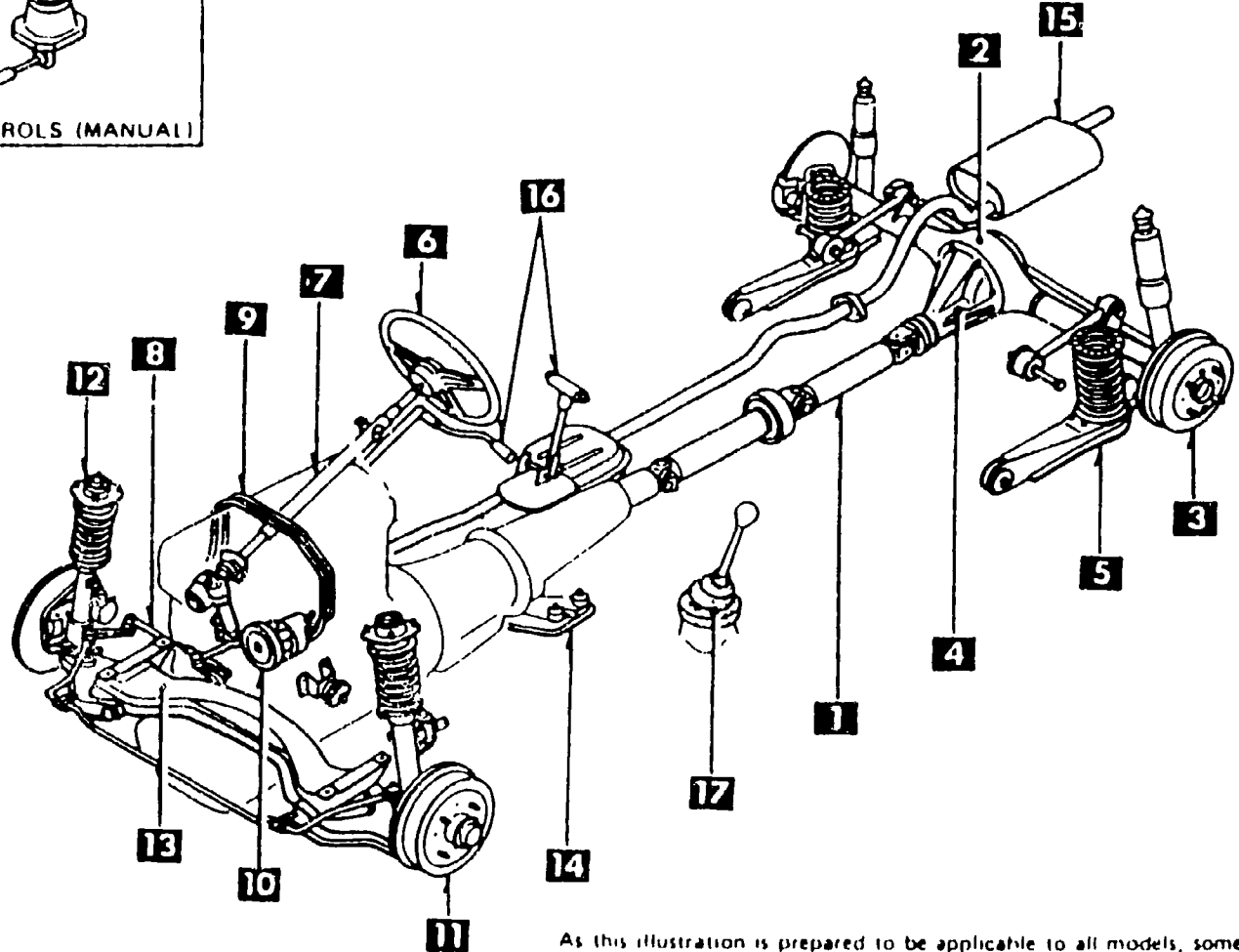

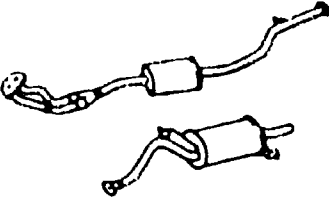
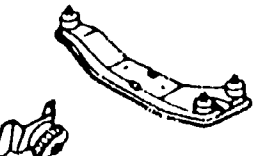
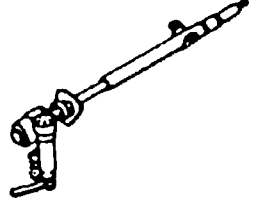
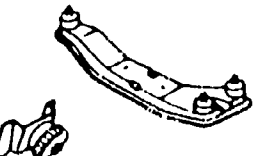
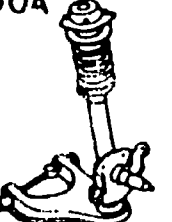

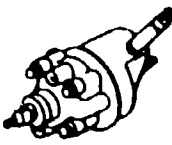
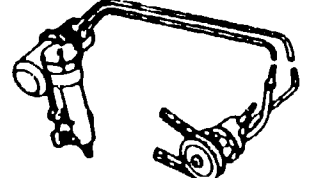
PICTORIAL INDEX

<p>1000A</p>  <p>Engine Gaskets</p>  <p>T/Mission Gaskets</p> <p>SHORT ENGINE & GASKET SETS</p>	<p>1 1030A</p>  <p>ROTOR HOUSING</p>	<p>2 1040A</p>  <p>OIL PAN & FRONT & REAR HOUSINGS</p>	<p>3 1100A</p>  <p>ECCENTRIC SHAFT & FLYWHEEL</p>	<p>4 1110A</p>  <p>ROTOR & RELATED</p>	<p>5 1400A</p>  <p>OIL PUMP & FILTER</p>
<p>18 1960A</p>  <p>GASKET & SEAL KIT (AUTOMATIC)</p>	<p>ROTARY ENGINE (1/2)</p>  <p style="font-size: small; text-align: center;">As this illustration is prepared to be applicable to all models, some parts are different in specifications from the parts listed in this parts catalog</p>				<p>6 1600A</p>  <p>CLUTCH (MANUAL)</p>
<p>17 4600A</p>  <p>Given in Chassis Group</p> <p>CHANGE CONTROLS (MANUAL)</p>					<p>7 1700A</p>  <p>T/MISSION CASE (MANUAL)</p>
<p>16 3900A</p>  <p>Given in Chassis Group</p> <p>ENGINE & T/MISSION MOUNTINGS</p>					<p>8 1710A</p>  <p>T/MISSION GEARS (MANUAL)</p>
<p>15 1950A</p>  <p>MANUAL LINKAGE (AUTOMATIC T/MISSION)</p>	<p>14 1940A</p>  <p>LOW, REVERSE & GOVERNOR (AUTOMATIC T/MISSION)</p>	<p>13 1930A</p>  <p>CLUTCH & PLANETARY GEARS (AUTOMATIC T/MISSION)</p>	<p>12 1920A</p>  <p>CASE & MAIN CONTROLS (AUTOMATIC T/MISSION)</p>	<p>11 1910A</p>  <p>CONVERTER, OIL PUMP & PIPING (AUTOMATIC T/MISSION)</p>	<p>10 1900A</p>  <p>TORQUE GLIDE (MANUAL)</p>

PICTORIAL INDEX

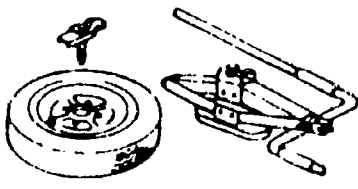
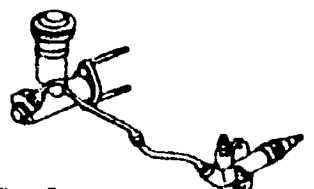
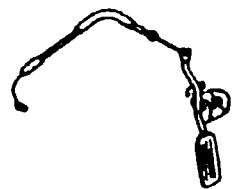
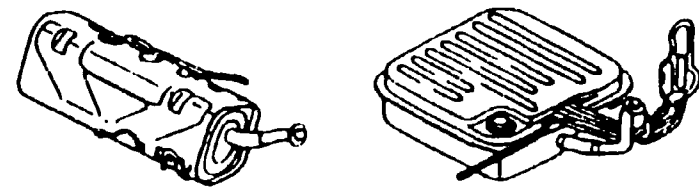
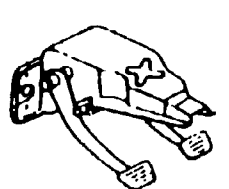
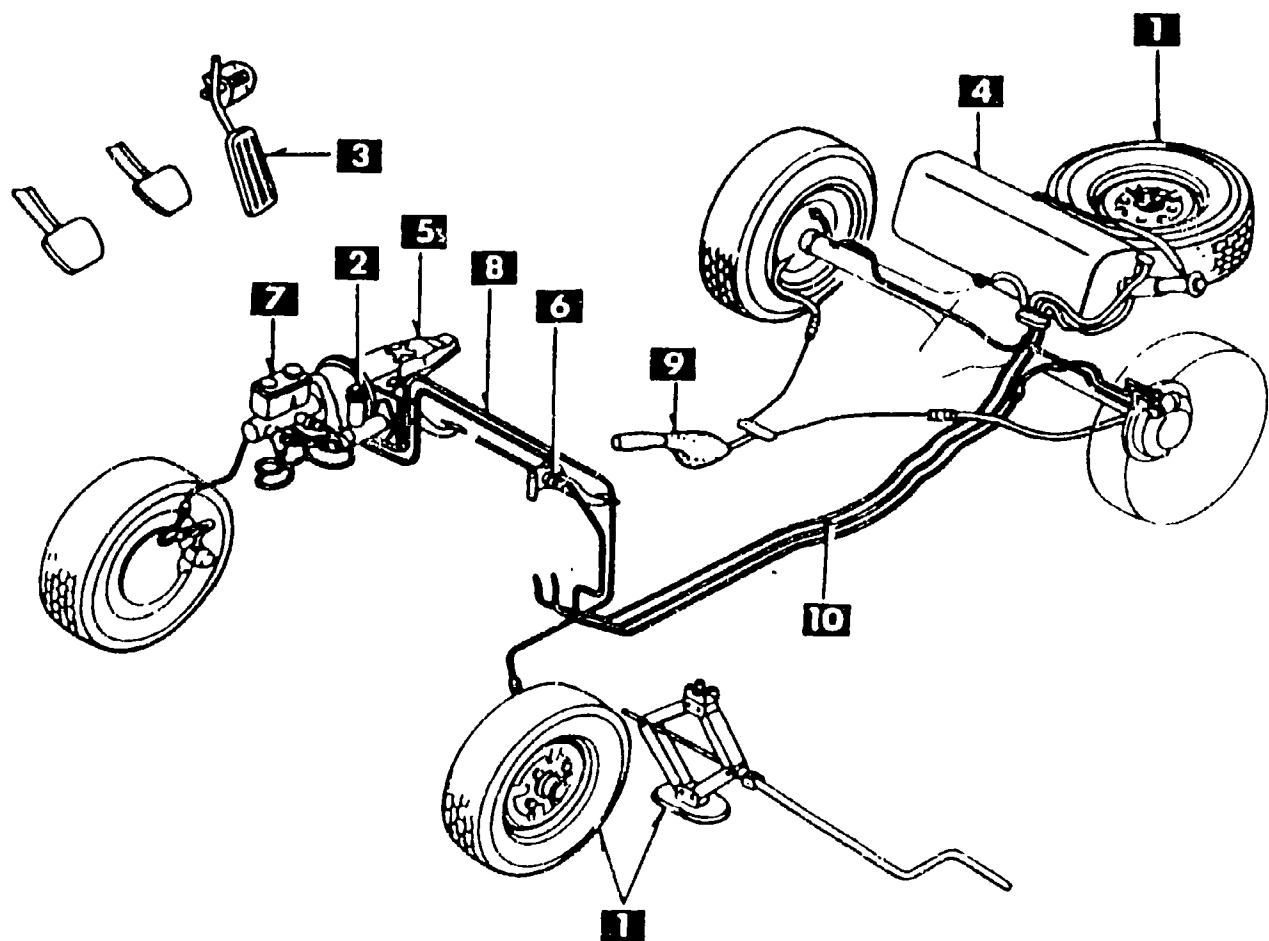
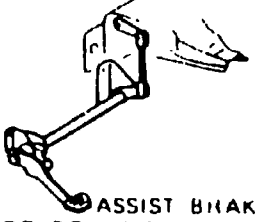
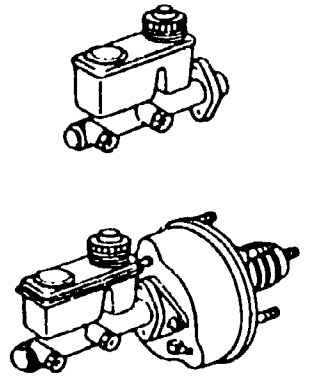
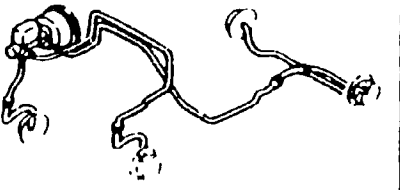
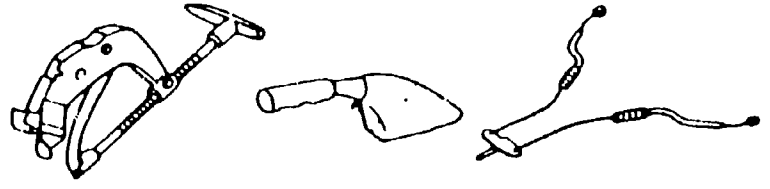

1 1300A  IN MANIFOLD	2 1310A  THERMAL REACTOR	3 1320A  FUEL SYSTEM	4 1330A  AIR CLEANER	5 1350A  STARTING ASSIST SYSTEM	6 1359A, 1360A  CARBURETOR	
ROTARY ENGINE (2/2) 						7 1371A  EMISSION CONTROLS (AIR PUMP & CONTROL VALVE)
						8 1380A  EMISSION CONTROLS (EV SIDE)
16 4000A  EX SYSTEM <small>Given in Chassis Group</small>						9 1500A  COOLING SYSTEM
As this illustration is prepared to be applicable to all models, some parts are different in specifications from the parts listed in this parts catalog.						10 1580A  COMPRESSOR BRACKET PULLEY & BELT (AIR CONDITIONER)
15 1850A  BATTERY & CABLES	14 1840A  STARTER	13 1830A  ALTERNATOR	12 1820A  DISTRIBUTOR	11 1800A  ELECTRICAL SYSTEM (ENGINE) <small>Regulator, Ignition Coil, Spark Plug, V Belt</small>		

PICTORIAL INDEX

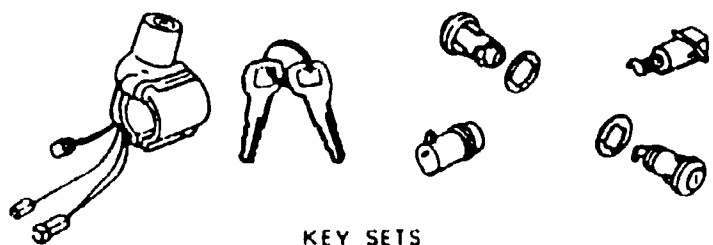
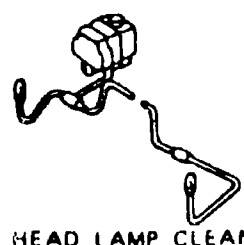


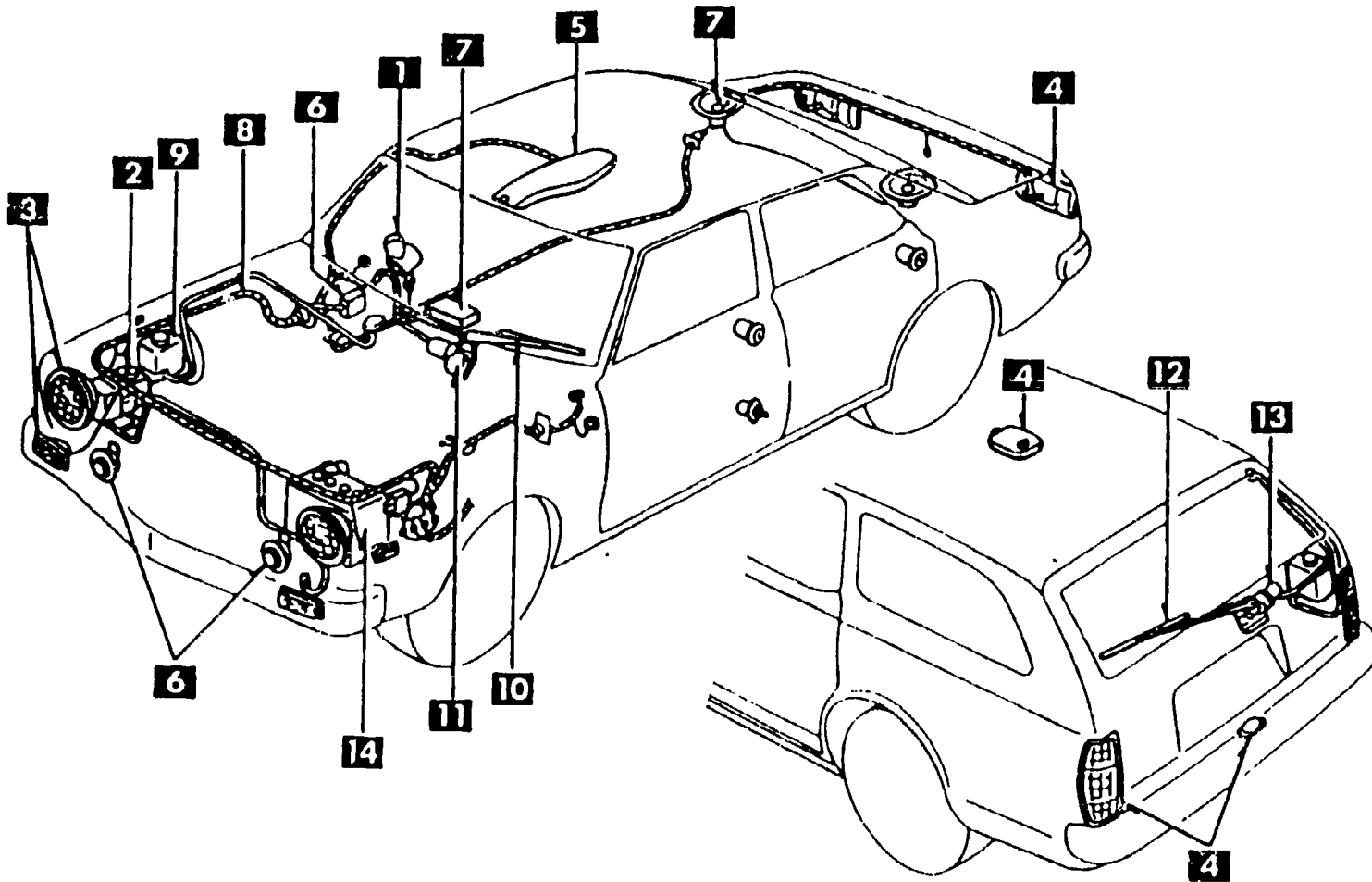
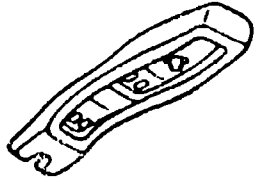
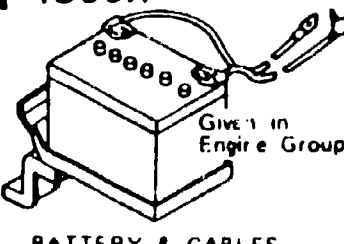

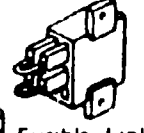



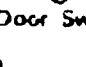
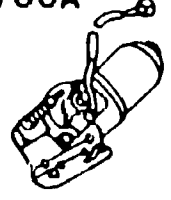
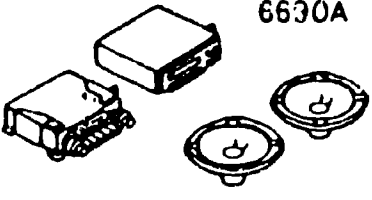
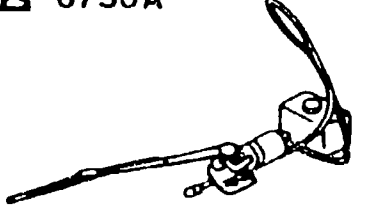

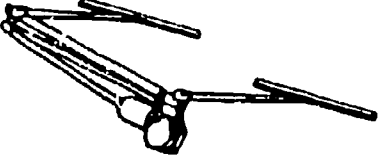
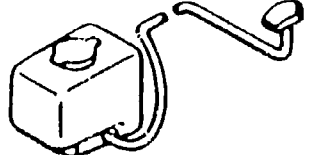
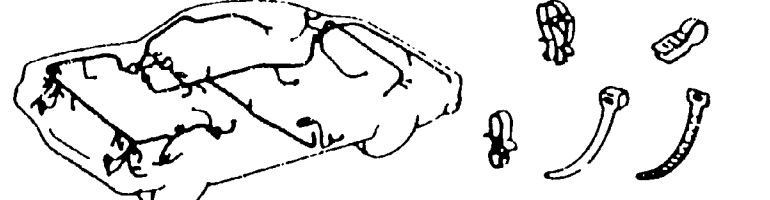
1 2500A  PROPELLER SHAFT	2 2600A  REAR AXLE	3 2610A  REAR BRAKES	4 2700A  DIFFERENTIAL	5 2800A 2810A  REAR STABILIZER REAR SUSPENSION	
16 4600A  (MANUAL)  (AUTOMATIC) CHANGE CONTROLS	17 1720A  Given in Engine Group CHANGE CONTROLS (MANUAL)	CHASSIS (1/2) 			6 3200A  STEERING WHEEL
15 4000A  EX SYSTEM	13 3410A  ENGINE & T/MISSION MOUNTINGS				7 3210A  STEERING GEAR & COLUMN
14 3900A  ENGINE & T/MISSION MOUNTINGS		12 3400A  FRONT SUSPENSION	11 3300A  FRONT AXLE & BRAKES	10 3260A  VANE PUMP (POWER STEERING)	9 3240A  POWER STEERING SYSTEM

As this illustration is prepared to be applicable to all models, some parts are different in specifications from the parts listed in this parts catalog

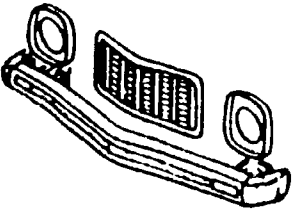
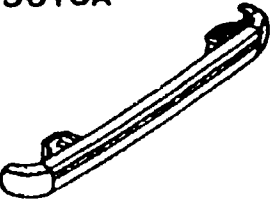
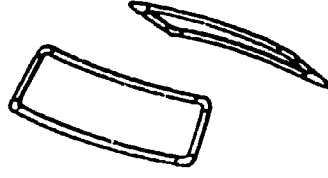
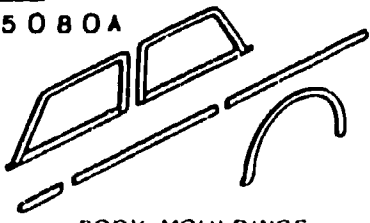
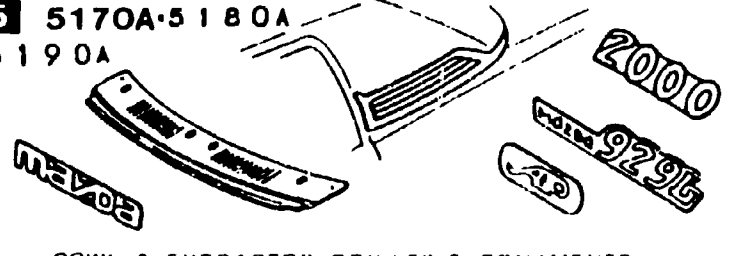
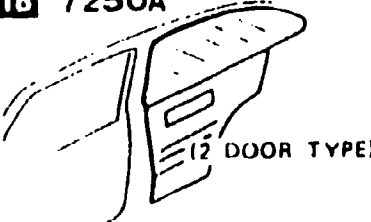
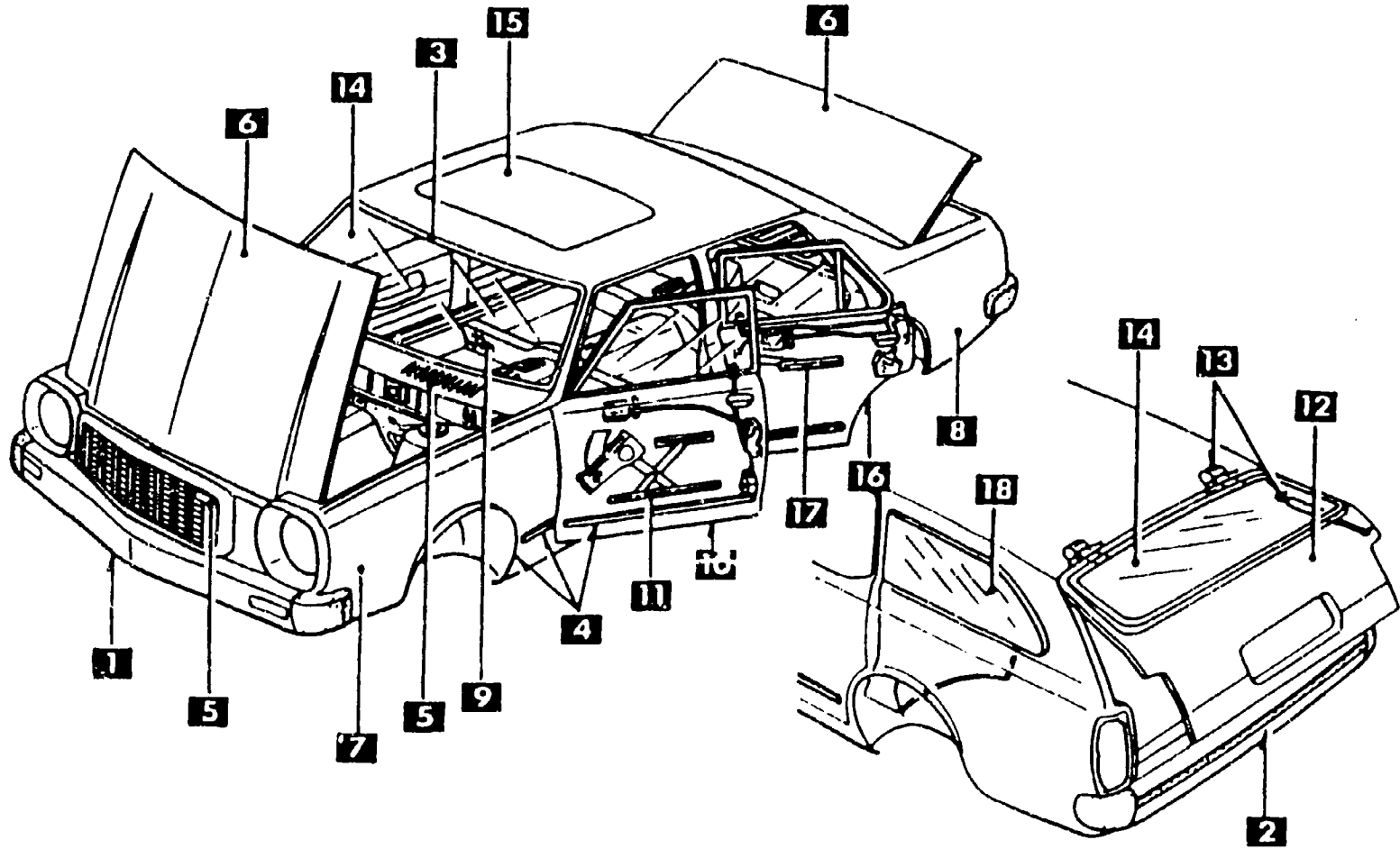
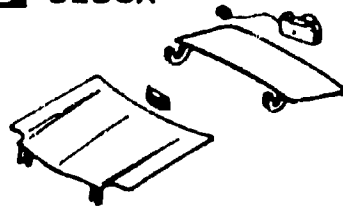
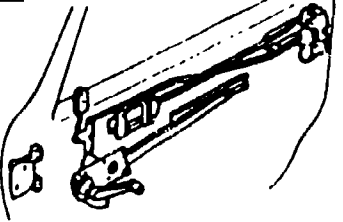
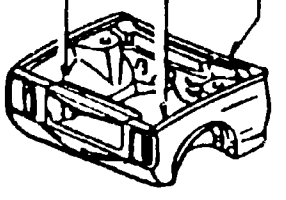
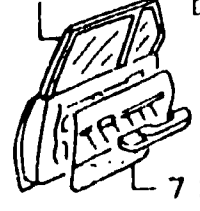
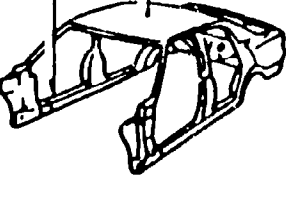
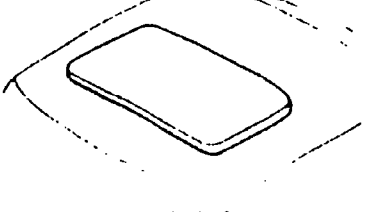
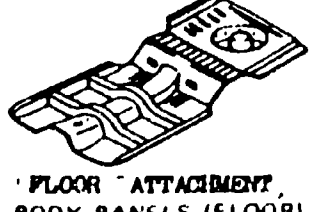

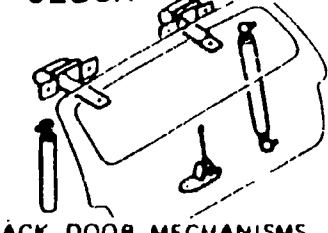
PICTORIAL INDEX

<p>1 3700A</p>  <p style="text-align: center;">TIRE & JACK</p>	<p>2 4140A</p>  <p style="text-align: center;">CLUTCH RELEASE & MASTER CYLINDERS</p>	<p>3 4160A</p>  <p style="text-align: center;">ACCELERATOR CONTROLS</p>	<p>4 4200A</p>  <p style="text-align: center;">FUEL TANK</p>	<p>5 4300A</p>  <p style="text-align: center;">CLUTCH & BRAKE</p>
<p>CHASSIS (2/2)</p> 				
<p><small>As this illustration is prepared to be applicable to all models, some parts are different in specifications from the parts listed in this parts catalog.</small></p>				
<p>6 4310A</p>  <p style="text-align: center;">ASSIST BRAKE (FOR DRIVING SCHOOL)</p>				
<p>7 4340A</p>  <p style="text-align: center;">TANDEM MASTER CYL & VACUUM POWER ASSIST SYSTEM</p>				
<p>8 4360A</p>  <p style="text-align: center;">BRAKE PIPING</p>				
<p>9 4400A</p>  <p style="text-align: center;">PARKING BRAKE SYSTEM</p>				
<p>10 4500A</p>  <p style="text-align: center;">FUEL & EVAPORATION PIPINGS</p>				

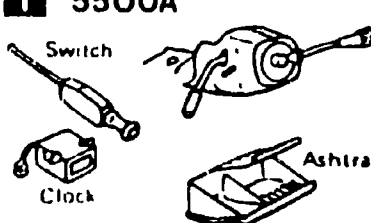
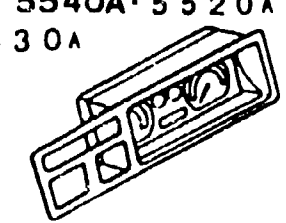
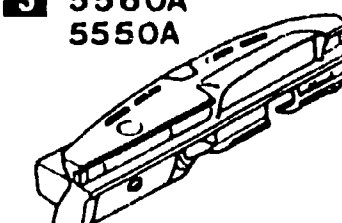
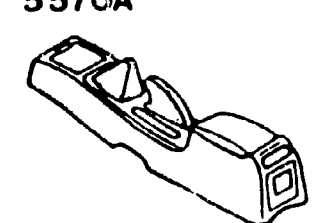
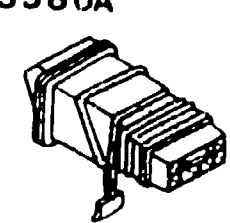
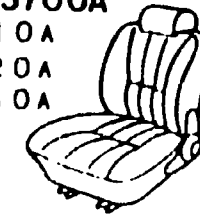
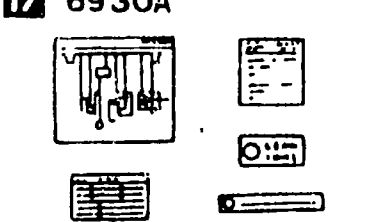
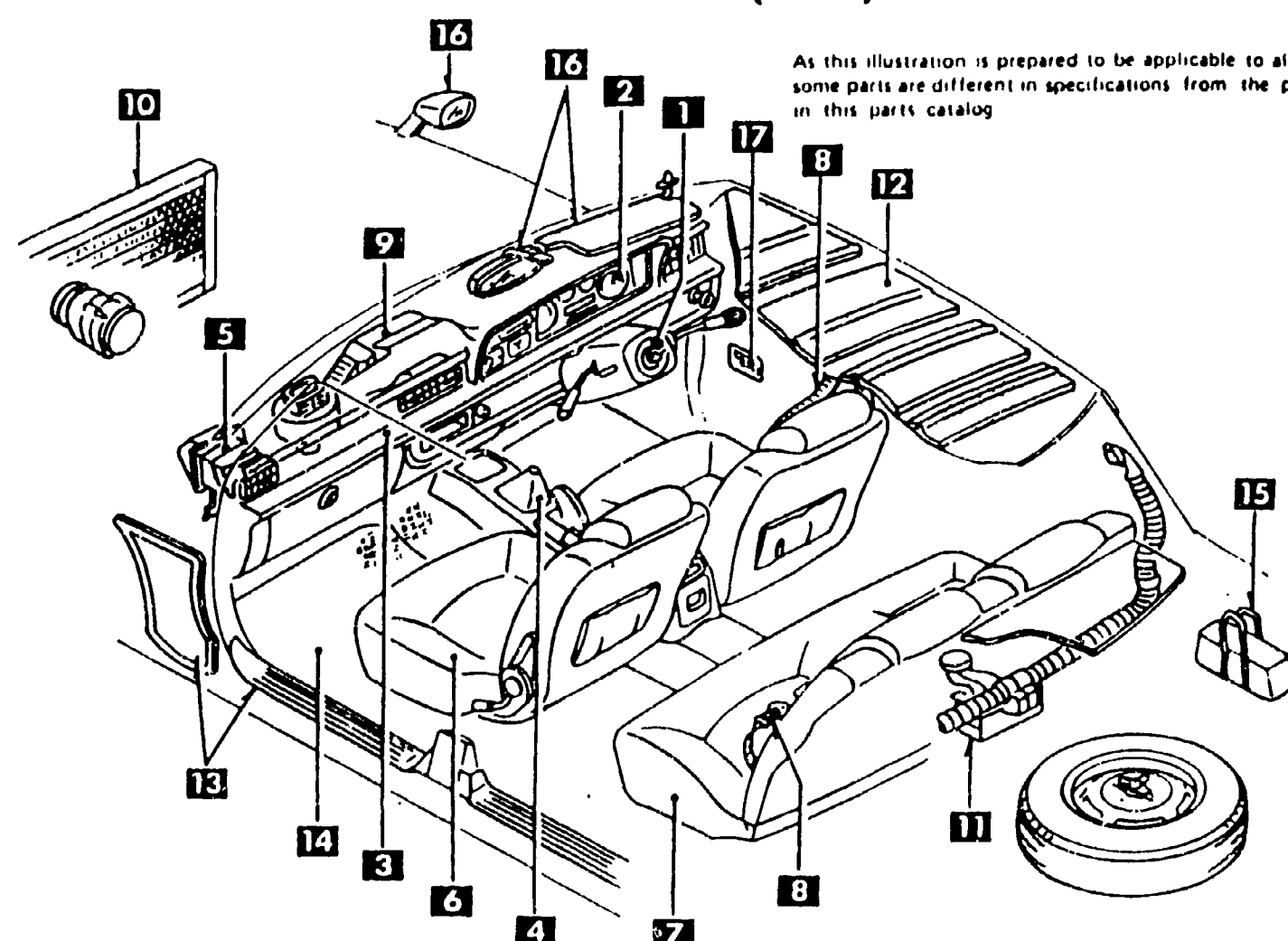
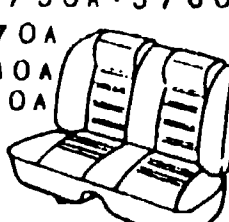
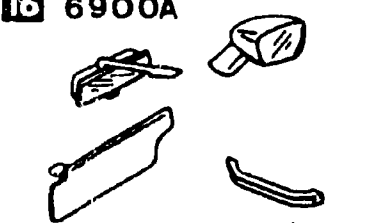
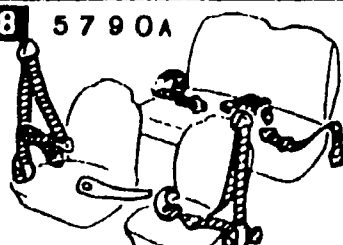
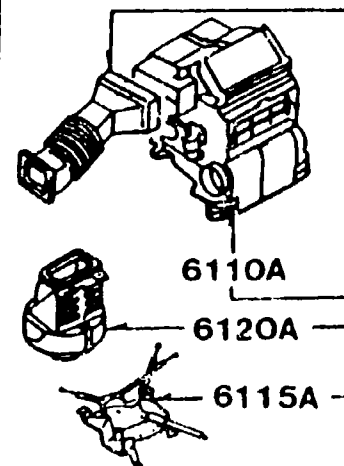
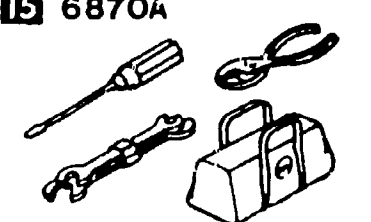
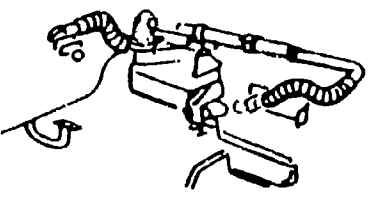
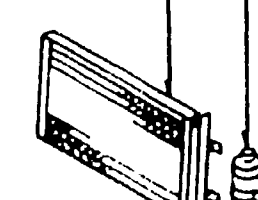
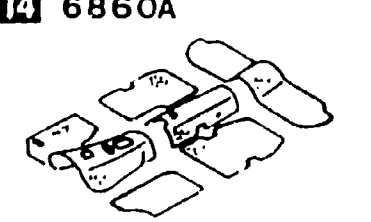
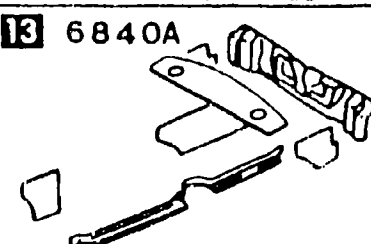
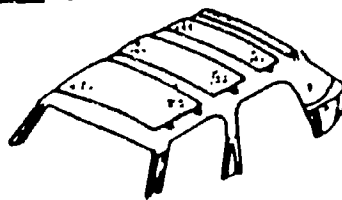
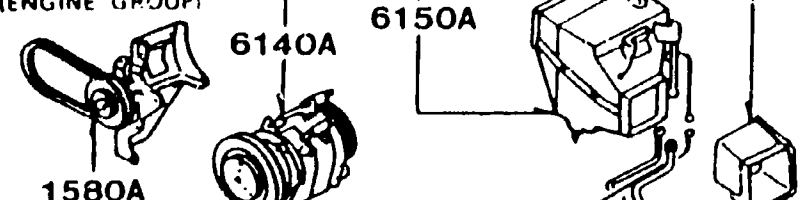
PICTORIAL INDEX

<p>1 0900A</p>  <p>KEY SETS</p>	<p>2 5020A</p>  <p>HEAD LAMP CLEANER</p>	<p>3 5100A • 5105A • 5103A</p>  <p>HEADLAMP RETRACTOR LAMPS (FRONT & SIDE)</p>	<p>4 5110A • 5120A 5125A</p>  <p>LAMPS (REAR & INTERIOR)</p> <p>Interior Lamp Licence Lamp</p>	
<p>BODY(1/3)</p> 				<p>5 5130A</p>  <p>OVERHEAD CONSOLE</p>
<p>4 1850A</p>  <p>BATTERY & CABLES</p> <p>Given in Engine Group</p>	<p>As this illustration is prepared to be applicable to all models, some parts are different in specifications from the parts listed in this parts catalog</p>		<p>6 6600A • 6610A 6611A • 6612A 6613A • 6615A 6620A 6630A 6635A 6640A</p>  <p>Horn</p>  <p>Fusible Link</p>  <p>Fuse Box</p>  <p>Door Switch</p>  <p>Relay</p>  <p>Stop Switch</p> <p>ELECTRIC EQUIPMENT (BODY)</p>	
<p>13 6760A</p>  <p>REAR WINDOW WIPER MOTOR (COMPONENTS ONLY)</p>			<p>7 6680A, 6682A, 6684A 6630A</p>  <p>RADIO & STEREO SYSTEMS</p>	
<p>12 6750A</p>  <p>REAR WINDOW WIPER & WASHER</p>	<p>11 6740A</p>  <p>WIPER MOTOR (COMPONENTS ONLY)</p>	<p>10 6730A</p>  <p>WINDSHIELD WIPER</p>	<p>9 6720A</p>  <p>WINDSHIELD WASHER</p>	<p>8 6700A • 6701A • 6702A • 6703A • 6704A</p>  <p>WIRE HARNESS & CLAMPS</p>

PICTORIAL INDEX

<p>1 5000A · 5005A</p>  <p>FRONT BUMPER & GRILLE</p>	<p>2 5010A</p>  <p>REAR BUMPER</p>	<p>3 5030A</p>  <p>WINDOW MOULDINGS</p>	<p>4 5040A · 5060A 5080A</p>  <p>BODY MOULDINGS</p>	<p>5 5170A · 5180A 5190A</p>  <p>COWL & EXTRACTOR GRILLES & ORNAMENTS</p>
<p>18 7250A</p>  <p>REAR WINDOW GLASS & TRIM (2 DOOR TYPE)</p>	<p style="text-align: center;">BODY(2/3)</p>  <p style="text-align: center;">As this illustration is prepared to be applicable to all models, some parts are different in specifications from the parts listed in this parts catalog</p>			<p>6 5230A</p>  <p>BONNET & TRUNK LID</p>
<p>17 7230A</p>  <p>REAR DOOR MECHANISMS</p>				<p>7 5310A, 5320A, 5330A</p>  <p>BODY PANELS (FRONT)</p>
<p>16 7200A REAR DOOR</p>  <p>TRIM & ARMREST 7240A</p>				<p>8 5340A, 5360A</p>  <p>BODY PANELS (SIDE & ROOF)</p>
<p>15 6330A</p>  <p>SUNROOF</p>				<p>9 5370A, 5390A</p>  <p>FLOOR ATTACHMENT, BODY PANELS (FLOOR)</p>
<p>14 6300A</p>  <p>WINDOW GLASSES</p>				<p>13 6230A</p>  <p>BACK DOOR MECHANISMS</p>

PICTORIAL INDEX

<p>1 5500A</p>  <p>DASHBOARD EQUIPMENT</p>	<p>2 5540A · 5520A 5530A</p>  <p>METERS</p>	<p>3 5560A 5550A</p>  <p>DASHBOARD & RELATED</p>	<p>4 5570A</p>  <p>CONSOLE</p>	<p>5 5580A</p>  <p>VENTILATOR</p>	<p>6 5700A 5710A 5720A 5730A</p>  <p>FRONT SEAT</p>
<p>17 6930A</p>  <p>CAUTION PLATES</p>	<p>BODY(3/3)</p>  <p style="font-size: small;">As this illustration is prepared to be applicable to all models, some parts are different in specifications from the parts listed in this parts catalog</p>				<p>7 5750A · 5760A 5770A 5780A 5720A</p>  <p>REAR SEAT</p>
<p>16 6900A</p>  <p>VISOR, ASSIST HANDLE & MIRRORS</p>	<p>8 5790A</p>  <p>SEAT BELTS</p>				<p>9 6100A</p>  <p>HEATER</p>
<p>15 6870A</p>  <p>SERVICE TOOLS</p>	<p>11 6180A</p>  <p>REAR COOLER</p>				<p>10 6130A</p>  <p>AIR CONDITIONER</p>
<p>14 6860A</p>  <p>FLOOR MATS & PADS</p>	<p>13 6840A</p>  <p>TRIM & SCUFF PLATE</p>	<p>12 6800A, 6820A</p>  <p>CEILING TRIM</p>	<p>(ENGINE GROUP)</p> <p>1580A 6140A 6150A</p> 		

MODEL IDENTIFICATION

1984 MODEL MANUFACTURED FROM SEPT. 1983 (FB33* 800001-)

1985 MODEL MANUFACTURED FROM JULY 1984 (FB33* 850001-)

MODEL NO.	STATE		ENGINE		T/ N		BRAKE		ROOF		YEAR		VIN
	C	F	R	R	M	A	F	4	S	N	1	1	
	A	B	O	O	A	A	R	W	S	N	9	9	
	L	E	T	T	N	U	O	H	U	R	8	8	
	I	B	A	A	A	T	N	E	N	M	4	5	
	F	E	R	R	U	M	T	E	R	A			
	O	R	Y	Y	A	A	T	H	O	L			
	R	N			L	T	I	L	O				
	N	I			S	S	C	D	O				
	I	A											
	A		12A	13B	S	P	E	E	D				
FA60	X		X		X		X			X	X	X	FB33* 800001-990000
FA61	X		X			X	X			X	X	X	FB33* 800001-990000
FA62	X		X		X		X		X		X	X	FB33* 800001-990000
FA63	X		X			X	X		X		X	X	FB33* 800001-990000
FA64	X		X		X			X	X		X	X	FB33* 800001-990000
FA65	X		X			X		X	X		X	X	FB33* 800001-990000
FA67	X			X	X			X	X		X	X	FB33* 800001-990000
FA78	X			X	X			X		X	X	X	FB33* 800001-990000
FA54		X	X		X		X			X	X	X	FB33* 800001-990000
FA55		X	X			X	X			X	X	X	FB33* 800001-990000
FA56		X	X		X		X		X		X	X	FB33* 800001-990000
FA57		X	X			X	X		X		X	X	FB33* 800001-990000
FA58		X	X		X			X	X		X	X	FB33* 800001-990000
FA59		X	X			X		X	X		X	X	FB33* 800001-990000
FA66		X		X	X			X	X		X	X	FB33* 800001-990000
FA77		X		X	X			X		X	X	X	FB33* 800001-990000
FA94		X			X			X		X	X	X	FB33* 850001-990000
FA95		X	X			X		X		X	X	X	FB33* 850001-990000

LIST OF MONTHLY STARTING VIN

1983

MODEL	YR./MO.	JAN. 83/1	FEB. 83/2	MAR. 83/3	APR. 83/4	MAY 83/5	JUN. 83/6	JUL. 83/7	AUG. 83/8	SEP. 83/9	OCT. 83/10	NOV. 83/11	DEC. 83/12
FB33*										800001	800002	806531	811185

1984

MODEL	YR./MO.	JAN. 84/1	FEB. 84/2	MAR. 84/3	APR. 84/4	MAY 84/5	JUN. 84/6	JUL. 84/7	AUG. 84/8	SEP. 84/9	OCT. 84/10	NOV. 84/11	DEC. 84/12
FB33*		815218	819485	824487	829422	834333	839137 (850001)	850015	856289	861829	866965	871511	876904

1985

MODEL	YR./MO.	JAN. 85/1	FEB. 85/2	MAR. 85/3	APR. 85/4	MAY 85/5	JUN. 85/6	JUL. 85/7	AUG. 85/8	SEP. 85/9	OCT. 85/10	NOV. 85/11	DEC. 85/12
FB33*		881177	883029	888474	893766	899625	905188	909988	912688

INSTRUCTIONS

HOW TO LOCATE PARTS IN THE CATALOG

Realistically, there can only be four possible scenarios when looking for a part(s). These are:

1. Either image of the part or the location on vehicle are known.
2. D-Code and/or Group number (of part) are known.
3. Part Number is known.
4. Name of part is known.

If one or more of the items listed above are known, the parts catalog user may use the appropriate index to facilitate part(s) location. The four indexes that may be used are:

PICTORIAL INDEX -

Use if either the image of the part and/or location on vehicle are known.

SECTION NUMBER INDEX -

Use if D-Code, Group Number or type of part is known.

PART NUMBER INDEX -

Use if part number is known.

ALPHABETICAL INDEX -

Use if name of part is known.

The following two pages outline how to use these indexes.

USING THE PICTORIAL INDEX

1. The PICTORIAL INDEX is the 1st column of every fiche.
2. Decide whether the desired part is an engine, chassis or body part.
3. Look through the PICTORIAL INDEX for the part. Take note of all possible fiche locations where the part may be found. This information will be useful in thoroughly tracking down the part.
4. Once the appropriate illustration is found, note the section number. Refer to the SECTION NUMBER INDEX for fiche location.

USING THE SECTION NUMBER INDEX

1. The SECTION NUMBER INDEX is the first row of every fiche.
2. The column labeled STARTING LOCATION denotes the microfiche GRID LOCATION for a particular section.

EXAMPLE:

1 - G6

1 = denotes the fiche number, i.e., 1 of 3, 2 of 3, 3 of 3

G = denotes the horizontal row location

6 = denotes the vertical column location

3. As an additional feature, the sections located in every column are enclosed in a "highlight box" in the SECTION NUMBER INDEX.
4. At this point, it is just a simple matter of going to the correct frame and locating the desired part number.

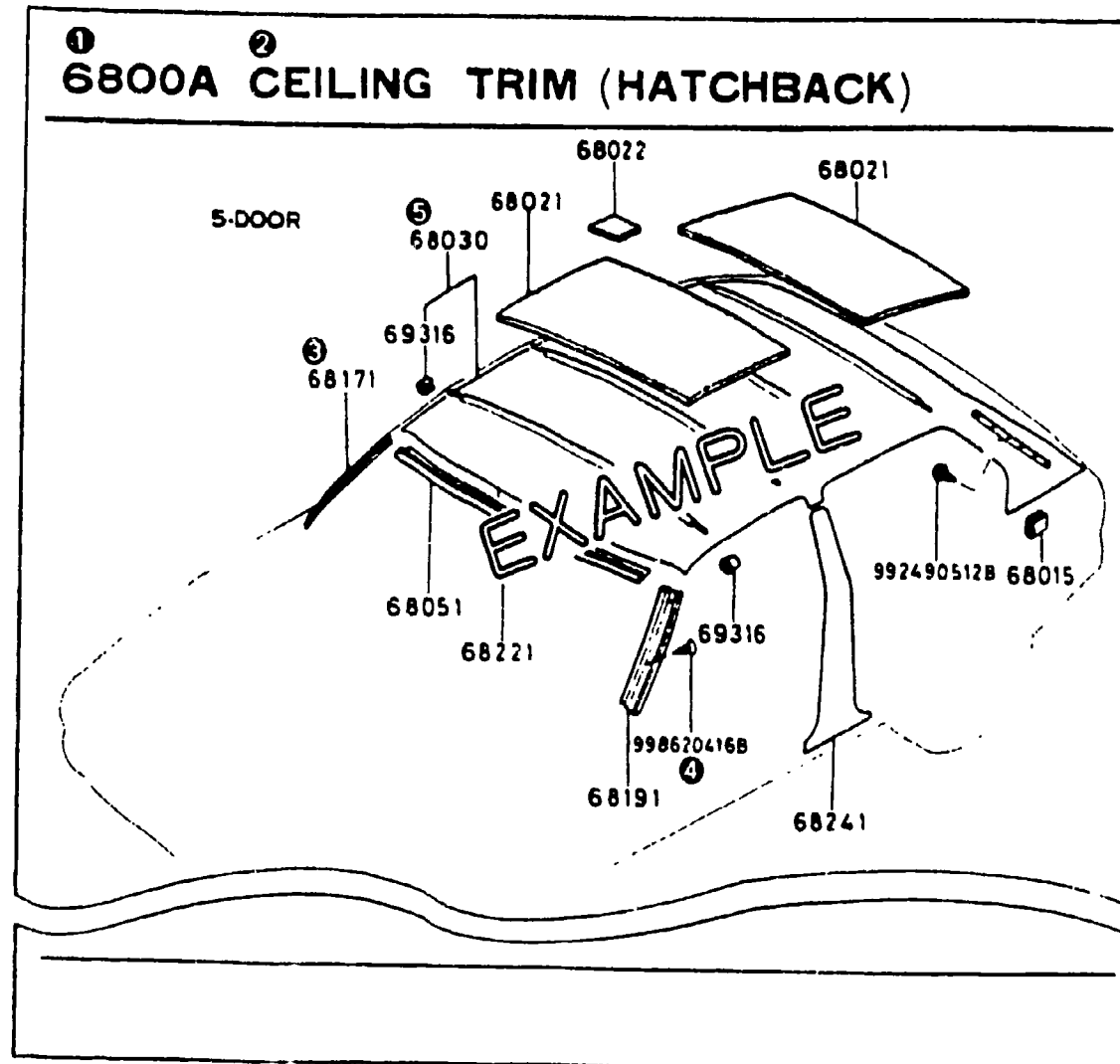
USING THE PART NUMBER INDEX

1. If the part number is known, simply use the PART NUMBER INDEX.
2. The PART NUMBER INDEX is located at the very end of the catalog, on the last fiche of a fiche set.
3. The index shows the section number and the grid location where the part number may be found.
4. When the PART NUMBER INDEX is used, remember that the part number is NOT read from "left to right". The base part number is read first. The base part number consists of the center two digits plus the next three (or four) digits to the right.
5. Use the grid location to go to the appropriate frame where the part number may be found. Cross-reference the part number with the illustration and text to ensure that it is indeed the desired part.

USING THE ALPHABETICAL INDEX

1. If the name of the part is known, simply use the ALPHABETICAL INDEX.
2. The ALPHABETICAL INDEX is located right before the PART NUMBER INDEX, at the very end of the catalog, on the last fiche of a fiche set.
3. The ALPHABETICAL INDEX contains the section number and the grid location where the desired part may be found.
4. Use the grid location to go to the appropriate frame where the part number may be found. Cross-reference the part number with the illustration and text to ensure that it is indeed the desired part.

HOW TO INTERPRET THE ILLUSTRATION



In the example shown above, the interpretation of each item appearing in the illustration area is as follows.

① SECTION NUMBER

Each illustration is given a Section Number, which is a "IDENTIFICATION NUMBER" of the group of parts classified in function.

Section Number basically consists of four numeric characters and alpha "A". But when a Section (a group of parts) is shown in more than one illustration over the same catalog, an additional alphabetical character is incorporated, e.g.,

Section No	Section Name
6800A	Ceiling Trim (Hatchback)
6800AA	Ceiling Trim (Wagon)

[Note]

Illustrations are always arranged in numerical sequence by SECTION NUMBER throughout the fiches in the set. (Exception: Section No. "0900A key Sets" is located in the first section of Body group.)

② SECTION NAME

This is a descriptive name of the illustration (the group of parts).

③ D-CODE (KEY NUMBER)

D-Code consists of five or six digits, and serves as a "KEY NUMBER" to co-ordinate a part's illustration with its related text.

[Note]

Those parts which appear in the illustration without D-Code are not available as spare parts. (Exception: Most Standard Parts do not have D-Code, but are available as spare parts.)

④ STANDARD PART NUMBER

Those parts which are standardized in form, dimension, material, etc. such as bolts, nuts, washers, etc. are called "Standard Parts". In most cases, Standard Part Numbers are shown on the illustration instead of via the D-Code, and are distinguished from D-Code by the number which consists of nine or ten digits starting with "9", e.g., 99862-0416B. Those Parts do not appear in the text and part number index.

⑤ ASSEMBLY AND COMPONENTS' RELATIONSHIP

The relationship between an Assembly and its Components is indicated in the illustration but not in the text.

If the D-Code appeared as the example, the correct interpretation of that would be: D-Code 68030 includes D-Code 69316 and Top Ceiling (no D-Code indicated).

HOW TO INTERPRET THE TEXT

IMPORTANT

As there are many abbreviated words used in the text, refer to "Abbreviation List" located in the lower corner of each fiche (frame No. N1).

6800A-1 CEILING TRIM (HATCHBACK)

D-CODE (Key No.)	PART NAME	PART No.	Qty	MODEL/DESCRIPTION	VIN (Chassis No.)
68030	CEILING, TOP	8531-68-030	1	(USE W/DEFROSTER) 3-DOOR	
	BLACK	00			
	BEIGE	31			
	BLACK	00		(USE W/O DEFROSTER) 5-DOOR	
	BEIGE	31			
68051	PLATE, T/CEILING	8531-68-051	1		FA4PS... 500001 -522626 FA4TS... 500001 -688439
	<AN>	*8531-68-051A	1		FA4PS... 522627- FA4TS... 688440-

In the example shown above, the interpretation of the information appearing in each column is as follows.

1 D-CODE (KEY NUMBER)

This is to serve as a "KEY NUMBER" to co-ordinate with a part on the illustration. Those parts which are identical in function and descriptive name, are given a common code over the Mazda Spare Parts. Within each Section Number, the D-Code appears in numerical sequence.

2 PART NAME

Part Names are shown in English and/or French and/or Spanish and/or German, depending upon Catalogs and are given to each "D-CODE".

3 COLOR NAME

Color Names appear here when Color Codes are indicated in the "PART No." column. These are shown in English only.

4 PART NUMBER

Under the same D-Code, if there are more than one Part Number, Part Numbers are always listed in numerical and/or alphabetical sequence regardless of the order of modification history of parts.

5 COLOR CODE

When Color Code(s) appear(s), the indicated Part Number requires the Color Code to properly identify the color of the part, e.g., 8531-68-030 00, 8531-68-030 31.

6 QUANTITY

This denotes the Quantity of each part number per the D-Code used on the applicable model(s).

7 DESCRIPTION

An additional descriptive information for each part is provided as necessary.

8 MODEL APPLICATION

Model Application for a part is shown in this column if necessary. If there is no Model Application indicated, the affected part is applicable to "ALL MODELS" covered in the page. For further information, refer to "HOW TO INTERPRET THE MODEL APPLICATION" shown later (frame No. G16).

9 INTERCHANGEABILITY CODE

The code in < > brackets appearing in this column indicates the level of interchangeability between the indicated part and the former one. For the definition of the Codes, refer to "INTERCHANGEABILITY CODE LIST" shown in the lower corner of each fiche (frame No. N1).

10 NEW PART NUMBER'S SIGN

An asterisk (*) appearing in the "Part Number" column indicates that the affected Part Number has been newly added since the last edition.

11 VIN (CHASSIS No.)

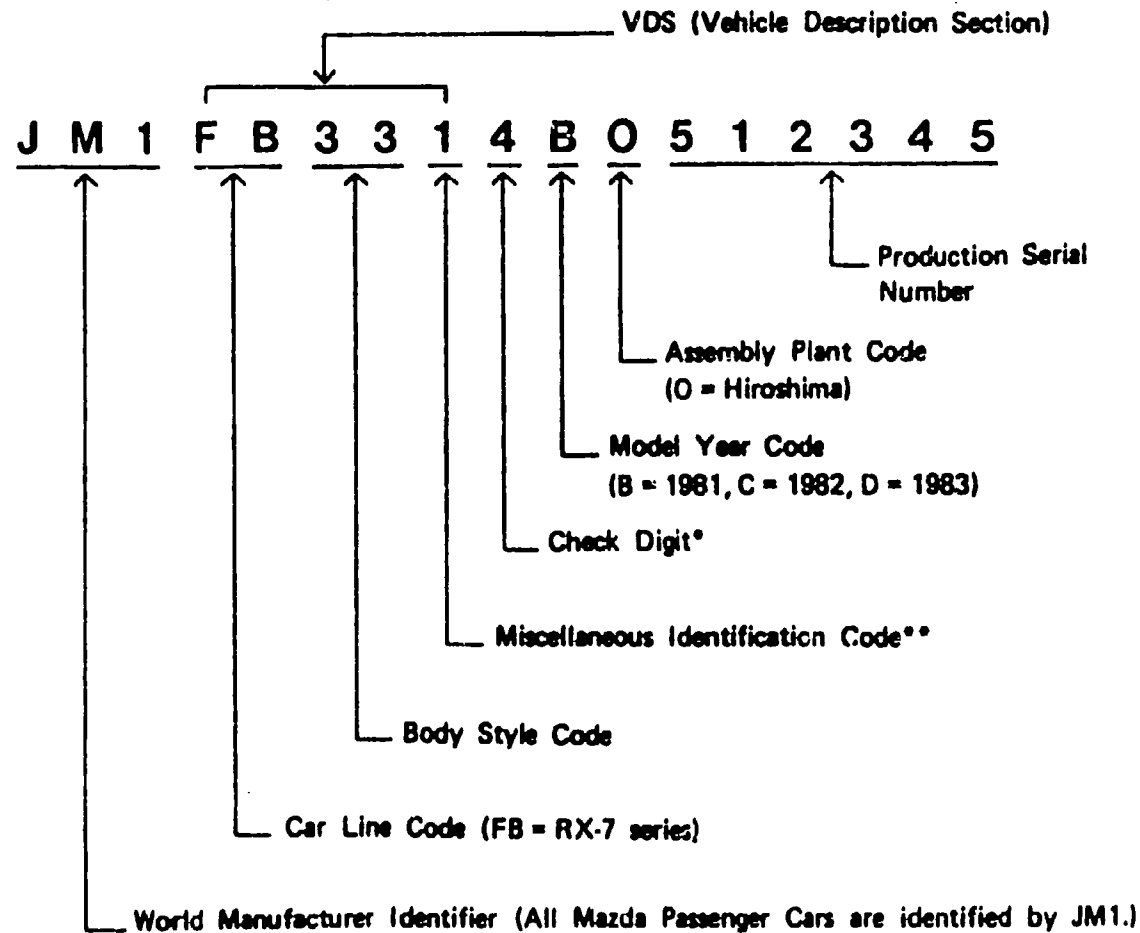
VIN (Vehicle Identification Number) is shown in this column if necessary, to identify the vehicles applicable to the affected part. For further details, refer to "HOW TO INTERPRET THE VIN (CHASSIS No.)" located in frame No. H16 of this fiche.

HOW TO INTERPRET THE VIN (CHASSIS No.)

VEHICLE IDENTIFICATION SYSTEM FOR MAZDA RX-7 SERIES (1981-)

Vehicle Identification Number (VIN) for RX-7 (1981 and later year models) consists of World Manufacturer Identifier, Vehicle Description Section (VDS), Check Digit, Model Year Code and Production Serial Number which is sequentially numbered within each VDS.

Shown below as an example is the VIN for Mazda RX-7 (1981 model).



* Check Digit is included as a VIN security feature to permit law enforcement verification of the authenticity of a suspected illegal VIN plate. This single digit number is determined, based upon a complex mathematical formula which is applied to each vehicle's VIN number.

** Miscellaneous Identification Code identifies major components such as engine, brake system, cab type, etc. However, if all models of the same car line use the same such components, this code is indicated as a numeric character "1" only.

VIN PRESENTATION ON THE PARTS CATALOG

VIN does NOT ALWAYS APPEAR. No "VIN" indicated denotes that a Part is applicable to the affected model from the FIRST PRODUCTION and ON (up to now).

If the information in the "VIN" column appeared as the example below:

6230A-1 BACK DOOR MECHANISMS (HATCHBACK)

D-CODE (Key No.)	PART NAME	PART No.	Qty.	MODEL/DESCRIPTION	VIN (Chassis No.)
62210A	HINGE, BACK DOOR	8531-62-210B	2	1000 1300	FA4PS... 500001 -522626 FA4TS... 500001 -688439
		•8531-62-210D	2		FA4PS... 522627- FA4TS... 688440- FA4US... 500001-
62310	LOCK, BACK DOOR	8531-62-310B	2		

... the correct interpretation of the above would be:

- ① Part No. 8531-62-210B is applicable to Model 1000 from VIN FA4PS-500001 thru FA4PS-522626 and Model 1300 from VIN FA4TS-500001 thru FA4TS-688439 for the Hatchback respectively.
- ② Part No. 8531-62-210D is applicable to Model 1000 from VIN FA4PS-522627 and on, Model 1300 from VIN FA4TS-688440 and on, and Model 1400 from VIN FA4US-500001 (the first production) and on for the Hatchback respectively.
- ③ Part No. 8531-62-310B is applicable to ALL MODELS (1000, 1300 and 1400) of the Hatchback series from the FIRST PRODUCTION and ON (up to now).

HOW TO INTERPRET THE MODEL APPLICATION

Model Application does NOT ALWAYS APPEAR. No "Model Application" indicated denotes that a Part is applicable to ALL MODELS covered by the affected page.

If the information in the "MODEL/DESCRIPTION" column appeared as the example below:

4000A-1 EX. SYSTEM (HATCHBACK)



D-CODE (Key No.)	PART NAME	PART No.	Qty.	MODEL/DESCRIPTION	VIN (Changes No.)
40061	HANGER SILENCER	3874-40-060	1	①	
40081	BRACKET	3952-40-080A	1	CAL. ②	
		8021-40-080C	1	FED. ③	

... the correct interpretation of the above would be:

- ① Part No. 3874-40-060 is applicable to All of Hatchbacks.
- ② Part No. 3952-40-080A is applicable to the Hatchbacks for California applications.
- ③ Part No. 8021-40-080C is applicable to All Hatchbacks for Federal applications.

CAL. = California

FED. = Federal

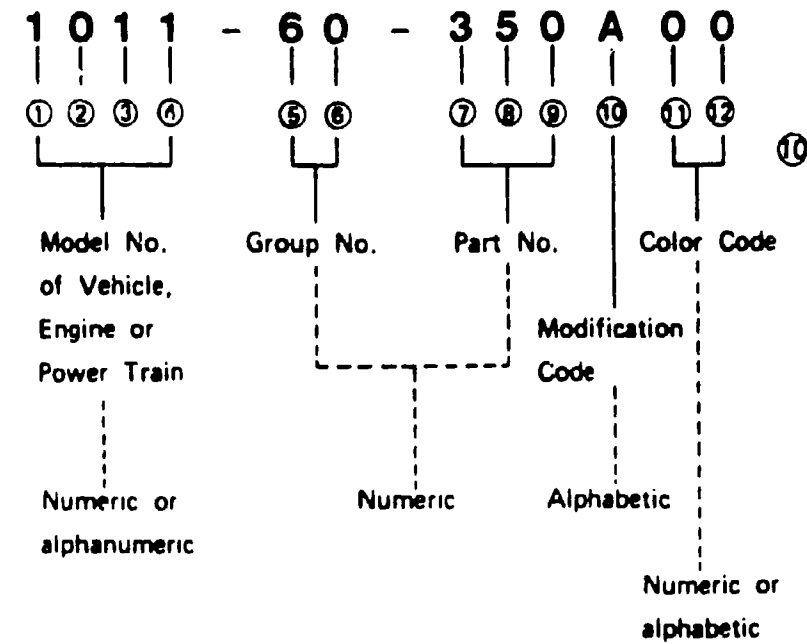
MAZDA PART NUMBERING SYSTEM

Mazda Part Numbers are generally classified into three categories: General Parts, Standard Parts and Special Tools.

MAZDA GENERAL PARTS

The Part Number basically consists of nine or ten digits. The 10th digit (if applicable) denotes modification of the part. It has twelve digits when a color code consisting of two digits is required.

EXAMPLE



[Note]

If a color code was required but not modification code, the 10th digit would be blank and the color code would follow, e.g.,

1011-60 350 00

blank

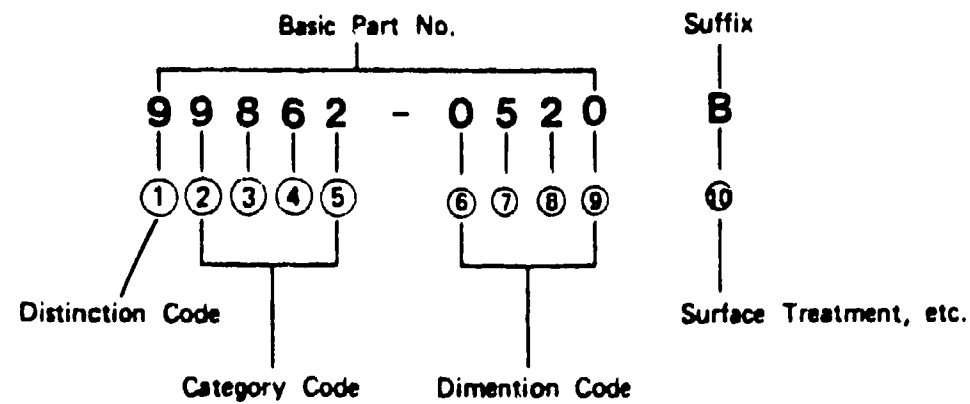
MAZDA STANDARD PARTS

Those Parts which are standardized in form and dimension such as Bolts, Nuts, Washers, Hoses, Disc Wheels, etc. are called Mazda Standard Parts.

All the Mazda Standard Parts are identified by a Part Number starting with "9". The numbering structure of Standard Parts varies depending upon the kind of parts.

The following is just one example of Standard Part Numbers. For further details and examples, refer to the wall chart, "LIST OF STANDARD PARTS".

EXAMPLE



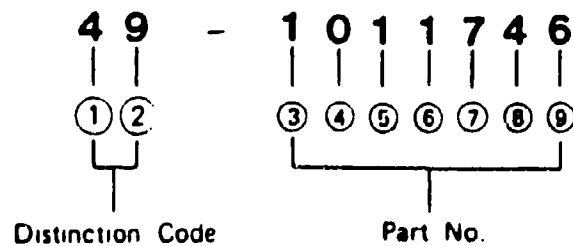
INTERCHANGEABILITY CODE LIST

Code		Definition
AN	↔ (Both Ways)	A new part and the former part are fully interchangeable.
A	→ (One Way)	A new part can be used in place of the former part, but the former part cannot be used in place of a new part.
C	Plus ⊕	A new part with some additional part(s) can be used in place of the former part.
G	Plus ⊕	Some modification work is required to use a new part in place of the former part.
S	← (One Way Backward)	The former part can be used in place of a new part, but a new part cannot be used in place of the former part.

MAZDA SPECIAL TOOLS

In order to repair Mazda Vehicles, certain equipment is required. Those are called Mazda Special Tools.

EXAMPLE



[Note]

As Mazda Special Tools are not shown in the Parts Catalog, refer to "LIST OF SPECIAL TOOLS & APPLYING MODELS" as for further details.

ABBREVIATION LIST

ABBREV.	MAY REPLACE	ABBREV.	MAY REPLACE
1ST	First	CAL.	California
2ND	Second	CASS.	Cassette
3RD	Third	CAT.	Category
4TH	Fourth	Cd	Coefficient Of Drag
4 SPD	Four Speed	CD	Compact Disk
4WS	Four Wheel Steering	C.G.R.	Constant Gear Ratio
4WD, 4X4	Four Wheel Drive	CHG.	Change
5TH	Fifth	CHK.	Check
5 SPD	Five Speed	CHMSR	Chamber
		CHN.	Chain
AA.	Anti Aftabum	CIGAR.	Cigarette
A.A.S.	Auto Adjusting Suspension	CI	Coefficient Of Lift
ABS	Anti Lock Braking System	CLPR	Calliper
AC	Air Conditioning	CNVTR.	Converter
A.C.C.	Automatic Cruise Control	COMB.	Combination
ACCEL.	Accelerator	COND.	Condenser
A.C.V.	Air Control Valve	COMP.	Compressor
A.E.	Acoustical Equalizer	CONV.	Convertible
ALUM	Aluminum	C/P	Cab Plus
ALL	Automatic Load Leveling	C.S.D.	Cold Start Device
ALT.	Alternator	CSTG.	Coasting
AMP.	Amplifier	CTR.	Center
ANT.	Antenna	CTRL.	Control
APR.	April	CV	Constant Velocity
ASSY.	Assembly	CVR.	Cover
A/T	Automatic Transmission	CYL.	Cylinder
AUG.	August		
AUTO.	Automatic	DASH.	Dashboard
		Db	Decibels
BAL.	Balance	DEC.	December
BELT.	Beltline	DEF.	Defroster
BFGR	B. F. Goodrich	DIAPH	Diaphragm
BRDG	Bridgestone	DIFF.	Differential
BRG.	Bearing	DNLP	Dunlop
BRKT.	Bracket	DOHC	Double Overhead Camshaft
BRN.	Brown		
BLK.	Black	DSL.	Diesel
BLU.	Blue	DTSS	Dynamic Tracking Suspension System
BMPR.	Bumper		
B.S.V.	Bleed Solenoid Valve	DX	Deluxe
BULL.	Bulletin		
BW	Black Wall	ECAT	Electronically Controlled A/T
		EGI	Electronic Gas Injection
		EGR	Exhaust Gas Recirculation

ABBREVIATION LIST

ABBREV.	MAY REPLACE	ABBREV.	MAY REPLACE
ELEC.	Electric	INN.	Inner
ENG.	Engine	INT.	Interior
ETR	Electrically Tuned Radio	INTMT.	Intermittent
		INJ.	Injector, Injected
EXC.	Except	I.R.S.	Independent Rear Suspension
EXH.	Exhaust		
EXT.	Extension	JAN.	January
EQ	Equalizer	JUL.	July
		JUN.	June
FEB.	February		
FED.	Federal	KG	Kilogram
F.I.	Fuel Injection	KM	Kilometer
FLEX	Flexible	KW	Kilowatt
F/LID	Fuel Lid		
FRT.	Front	(L), LT	Left
FRST	Freestone	L=	Length
FSTNR.	Fastener	LCD	Liquid Crystal Display
		L/B	Long Bed
G	Gram	LH	Left Hand
GAS.	Gasoline	LPG	Liquid Petroleum Gas
GDYR	Goodyear	L.S.D.	Limited Slip Differential
GEN.	General		
GOV.	Governor	LWR	Lower
GRN.	Green	LX	Luxury
GRY.	Gray		
GSKT.	Gasket	M	Metallic
		MAR.	March
H.A.C.	High Altitude Compensator	MC	Mica
		MCHN	Michelin
HARN.	Harness	MLDG.	Moulding, Mould
H/B	Hatchback	MM	Millimeter
HD.	Head	MNFLD.	Manifold
H/DUTY	Heavy Duty	MPX	Multiplex
HDWE.	Hardware	MSTR.	Mortar
HL ALT.	High Altitude	M/T	Manual Transmission
HSG.	House, Housing	MTG.	Mounting
HTR.	Heater	MTR	Manually Tuned Radio
IC	Integrated Circuit	N=	Number Of Teeth
ID	Inside Diameter	N/A	Not Available
IGN.	Ignition	N/B	Not-Back
ILLUM.	Illumination, Illuminated	NO.	Number
		NORM.	Normal
INCL	Includes	NOV.	November
IND	Indicator		
INFO.	Information		
INST.	Instrument		

ABBREVIATION LIST

ABBREV.	MAY REPLACE	ABBREV.	MAY REPLACE
OCT.	October	SPEC.	Specification
OD	Outer Diameter	SPEEDO.	Speedometer
O/DRIVE	Ox/drive	SPG.	Spring
OHC	Overhead Camshaft	SPKR.	Speaker
OPT.	Optional	SPRKT.	Sprocket
O.S.	Oversize	SRS	Supplemental Restraint System
OUT.	Outer	STAB.	Stabilizer
PANSC	Panasonic	STD.	Standard
PARK.	Parking	STNG.	Steering
PB	Parking Brake	S/ROOF	Sunroof
PCV	Positive Crankcase Ventilation	SUSP.	Suspension
PIN.	Pinion	S/W	Station Wagon
PKG	Package	SW.	Switch
PLR	Pillar	SYNC.	Synchronizer
PROD.	Production	T-	Thickness
P/S	Power Steering	TEMP.	Temperature
P/TRIM	Pillar Trim	THERMO.	Thermostat
PTH	Phillips Truss Head	TMG.	Timing
PWR.	Power	T/MISSION	Transmission
QTR.	Quarter	TRK.	Truck
QTY.	Quantity	TR/LID	Trunk Lid
(R), RT	Right	T/S	Touring Sedan
RH	Right Hand	TTL	Twin Trapezoidal Links
RAD.	Radiator	TURBO	Turbocharged
REINF.	Reinforcement	UP.	Upper
REG.	Regular	U.S.	Undersize
REGUL.	Regulator	VAC.	Vacuum
REL.	Release	V.G.R.	Variable Gear Ratio
REM.	Remote	VPV	Variable Port Valve
RET.	Return	VNL	Vinyl
REV.	Reverse	W-	Width
RR.	Rear	W/	With
RWL	Raised White Letters	W/P	Water Pump
S/B	Short Bed	WGN.	Wagon
S/ROD	Shift Rod	WHL.	Wheel
S/S	Supercession	W/O	Without
SDN.	Sedan	WHT.	White
SEP.	September	W/SHIELD	Wind Shield, Screen
SERV.	Service	WTR.	Water
SLND.	Solenoid	W/W	White Walls
SOHC	Single Overhead		



1984-85 RX-7 ACCESSORIES

AERO

0000-86-2200 - 1979-85, Lip Spoiler

AIR CONDITIONER

Refer to Accy. Bulletin XA-1 for Air Conditioner information.

ARM REST

Refer to Accy. Bulletin XN-1 for replacement parts.

BATTERY

0000-80-124F

Refer to Accy. Bulletin XG-4 for Battery information.

BLOCK HEATER

0000-88-6600

Refer to Accy. Bulletin XG-5 for installation information.

CIGARETTE LIGHTERS

B001-66-252 - 1983-90

CRUISE CONTROL

FA54-99-063A

Refer to Accy. Bulletin XG-7 for more Cruise Control information.

DOOR EDGE GUARDS

0000-88-3199-BK - ALL, Black Universal Type

FRONT MASK

0000-88-0584 - 1984-85, W/O Air Dam

PAINT

Refer to Accy. Bulletin XE-2 for Touch-Up Paint information.

STEREO EQUIPMENT

Refer to Accy. Bulletins XS-1, XS-2, and XS-3 for Audio information.

SUNROOF

0000-86-2600 - 1980-85, Moonroof

0000-86-2600-KT - 1980-85, Left & Right Hinge

0000-86-2600-CP - 1980-85, Cap Nut Set

8346-62-885 - 1980-85, Slide Hook Latch

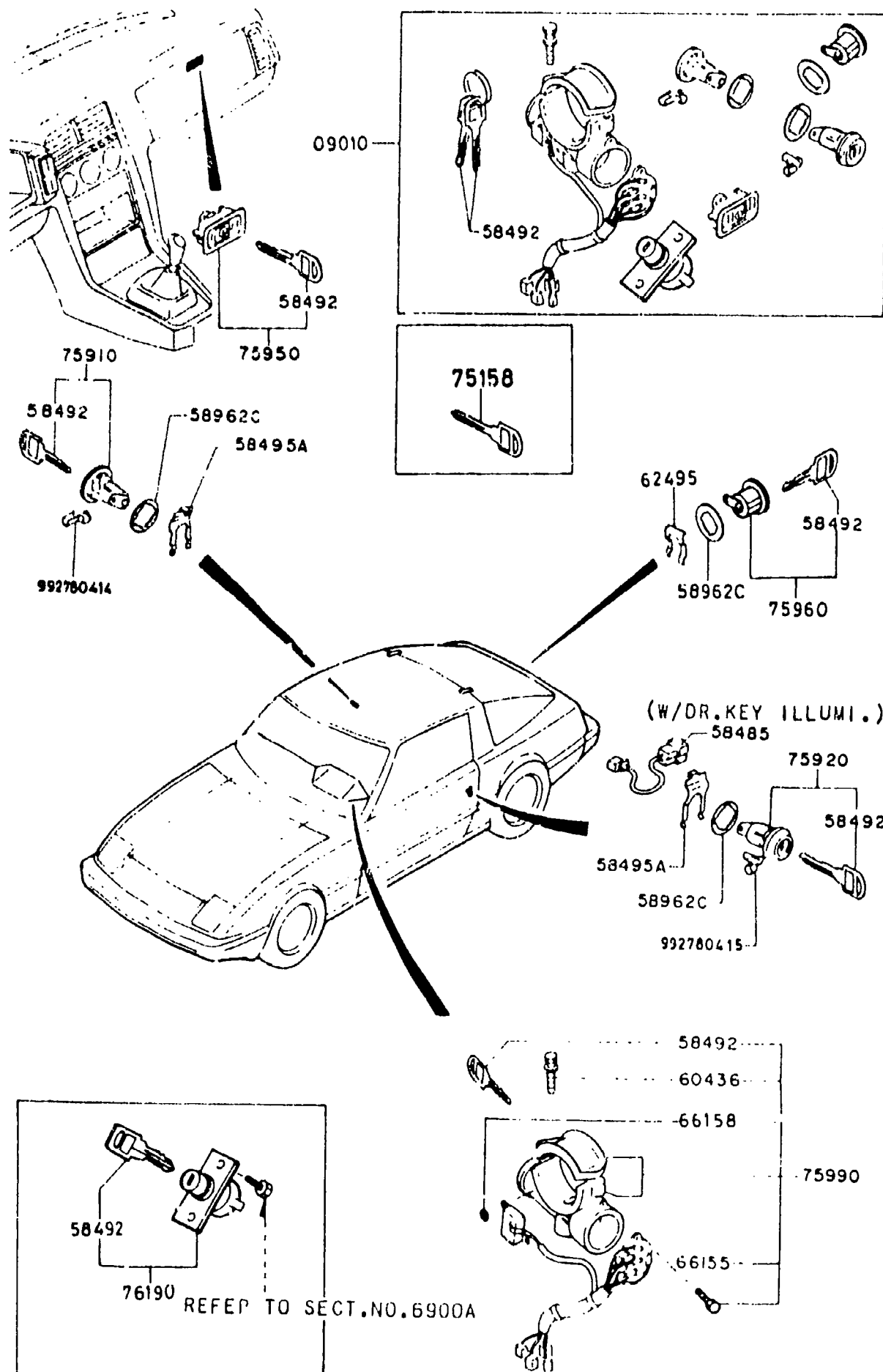
TIRES

Refer to Accy. Bulletins XE-1 for Tire information.

SECTION INDEX -- BODY

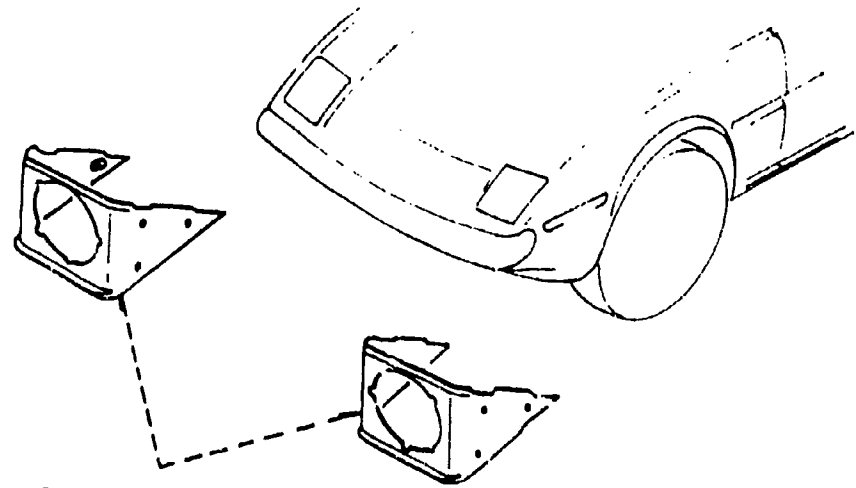
STARTING LOCATION	SECT NO	SECTION NAME	STARTING LOCATION	SECT NO	SECTION NAME	STARTING LOCATION	SECT NO	SECTION NAME
2 - C 3	0900A	KEY SETS	2 - H 7	6100A	HEATER	2 - H10	6703A	WIRE HARNESS (DOOR, FLOOR, CEILING)
2 - D 3	5000A	FRONT BUMPER	2 - I 7	6110A	HEATER UNIT COMPONENTS	2 - I10	6704A	WIRE HARNESS CLAMPS
2 - E 3	5005A	RADIATOR GRILLE	2 - J 7	6115A	HEATER CONTROLS COMPONENTS	2 - J10	6720A	WINDSHIELD WASHFR
2 - F 3	5010A	REAR BUMPER	2 - K 7	6120A	HEATER BLOWER COMPONENTS	2 - K10	6730A	WINDSHIELD WIPER
2 - G 3	5030A	WINDOW MOULDINGS	2 - L 7	6125B	AIR CONDITIONER	2 - L10	6740A	WIPER MOTOR COMPONENTS (FRONT)
2 - H 3	5040A	BODY MOULDINGS	2 - M 7	6130B	AIR CONDITIONER (NIPPONDENSO)	2 - M10	6750A	WINDOW WIPER & WASHER (REAR) (GSL, GSL-SE)
2 - I 3	5060A	SIDE PROTECTORS	2 - C 8	6132B	AIR CONDITIONER (WYNN'S)	2 - N10	6760A	WINDOW WIPER MOTOR COMPONENTS (REAR) (GSL, GSL-SE)
2 - J 3	5100A	HEAD LAMPS	2 - D 8	6140B	A/C COMPRESSOR BRACKETS (NIPPONDENSO)	2 - C11	6800A	CEILING TRIM
2 - K 3	5103A	HEAD LAMP RETRACTOR	2 - F 8	6142B	A/C COMPRESSOR COMPONENTS (WYNN'S)	2 - D11	6820A	PILLAR TRIM
2 - L 3	5105A	FRONT COMBINATION LAMPS	2 - H 8	6145B	A/C COMPRESSOR COMPONENTS (NIPPONDENSO)	2 - F11	6840A	TRIM & SCUFF PLATE
2 - M 3	5110A	REAR COMBINATION LAMPS	2 - J 8	6150B	COOLING UNIT (NIPPONDENSO)	2 - I11	6860A	FLOOR MATS & PADS
2 - N 3	5120A	LICENSE LAMPS	2 - L 8	6152B	COOLING UNIT (WYNN'S)	2 - J11	6870A	SERVICE TOOLS
2 - C 4	5125A	INTERIOR LAMPS	2 - M 8	6230A	BACK DOOR MECHANISM	2 - K11	6900A	VISOR, ASSIST HANDLE & MIRRORS
2 - D 4	5170A	ORNAMENTS	2 - N 8	6300A	WINDOW GLASSES	2 - N11	6930A	CAUTION PLATES & LABEL
2 - E 4	5180A	COWL & EXTRACTOR GRILLES	2 - C 9	6330A	SUNROOF (GSL, GSL-SE)			
2 - F 4	5230A	HOOD	2 - D 9	6600A	SWITCH & RELAY (ENGINE)			
2 - G 4	5310A	BODY PANELS (FRONT)	2 - F 9	6610A	DASHBOARD SWITCHES (MANUAL OPERATING)			
2 - H 4	5320A	BODY PANELS (FENDER & WHEEL APRON)	2 - G 9	6611A	COMBINATION SWITCH			
2 - I 4	5330A	BODY PANELS (DASH & COWL PANEL)	2 - H 9	6612A	CLUSTER SWITCH (RIGHT SIDE)			
2 - J 4	5340A	BODY PANELS (SIDE)	2 - I 9	6613A	CLUSTER SWITCH (LEFT SIDE)			
2 - K 4	5360A	BODY PANELS (ROOF)	2 - J 9	6615A	POWER WINDOW SWITCH			
2 - L 4	5370A	BODY PANELS (FLOOR)	2 - K 9	6620A	DOOR, PARKING LAMP & KICKDOWN SWITCHES			
2 - M 4	5390A	FLOOR ATTACHMENTS	2 - L 9	6630A	RELAY & CPU (BODY)			
2 - C 5	5500A	DASHBOARD EQUIPMENT	2 - M 9	6635A	HORN			
2 - F 5	5520A	METER HOOD	2 - N 9	6640A	AUTO CRUISE CONTROLS			
2 - G 5	5530A	SPEEDOMETER CABLE	2 - C10	6680A	AUDIO SYSTEMS (RADIO & TAPE DECK)			
2 - H 5	5540A	METERS	2 - D10	6682A	AUDIO SYSTEMS (ANTENNA & SPEAKER)			
2 - I 5	5550A	CLUSTER SWITCH COVER	2 - E10	6700A	WIRE HARNESS (FRONT & REAR)			
2 - J 5	5560A	DASHBOARD & RELATED	2 - F10	6701A	WIRE HARNESS (ENGINE & TRANSMISSION)			
2 - L 5	5570A	CONSOLE	2 - G10	6702A	WIRE HARNESS (DASHBOARD)			
2 - N 5	5580A	VENTILATOR						
2 - C 6	5700A	FRONT SEAT						
2 - H 6	5790A	SEAT BELTS						
2 - I 6	5800A	FRONT DOOR						
2 - J 6	5830A	FRONT DOOR MECHANISMS						
2 - C 7	5840A	FRONT DOOR TRIM & RELATED PARTS						

0900A-1 KEY SETS

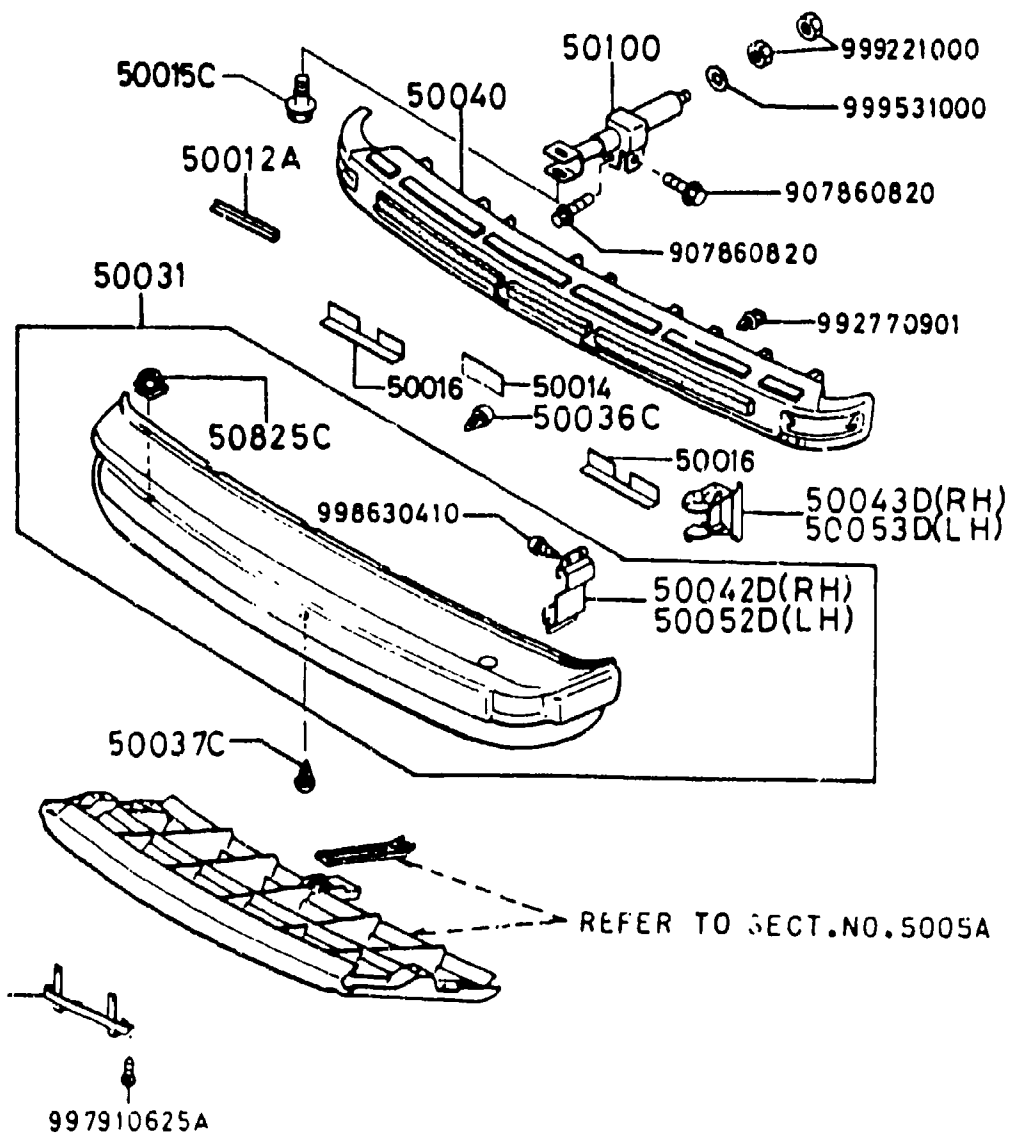


ITEM NO.	D-CODE	DESCRIPTION	PART NO	QTY	MODEL/DESCRIPTION	REMARKS
	09 010	KEY SET	FA54-09-010C	1	GS, GSI, GSI-SE, S	
		RED	10			
		OFF-BLACK	65			
		BROWN	78			
58 485		BULB, LOCK CYLINDER	G001-58-485A	1	GS, GSI, GSI-SE	
58 492		KEY, PRIMARY	HA43-76-201A	2		
58 495A		RETAINER, LOCK CYLINDER	FA54-58-495	2		
58 962C		GASKET, KEY CYLINDER	0223-58-962	3		
60 36		BOLT, SET	H043-66-154	2		
62 495		RETAINER, LOCK CYLINDER	B001-62-495	1		
66 155		SWITCH, IGNITION	FA54-66-151	1		
66 158		NUT, SPEED-STEERING LOCK	BC46-66-158	2	FROM APR. '85 PROD.	FB33* ..893766-
		REFER TO SERV. BULL. NO. 010/85 CAT. 15 FOR MORE INFO.				
75 158		KEY, BLANK	HA43-76-201A	1		
		REFER TO PARTS BULL. NO. A-2-4 FOR MORE KEY INFO.				
75 910		KEY SUB SET (R), DOOR	FA54-76-210	1		
75 920		KEY SUB SET (L), DOOR	FA55-76-220	1	S MODEL	
			FA54-76-220	1	GS, GSI, GSI-SE	
75 950		KEY SUB SET, GLOVE	FA54-76-250B	1		
		RED	10			
		OFF-BLACK	65			
		BROWN	78			
75 960		KEY SUB SET, BACK DOOR	FA54-76-230	1		
		< A >	FA54-76-230A	1		
75 990		KEY SUB SET, STRG. LOCK	FA54-76-290	1		
76 190		KEY SUB SET, STORAGE	FA54-76-190	1		

5000A-1 FRONT BUMPER



REFER TO SECT.NO.5005A

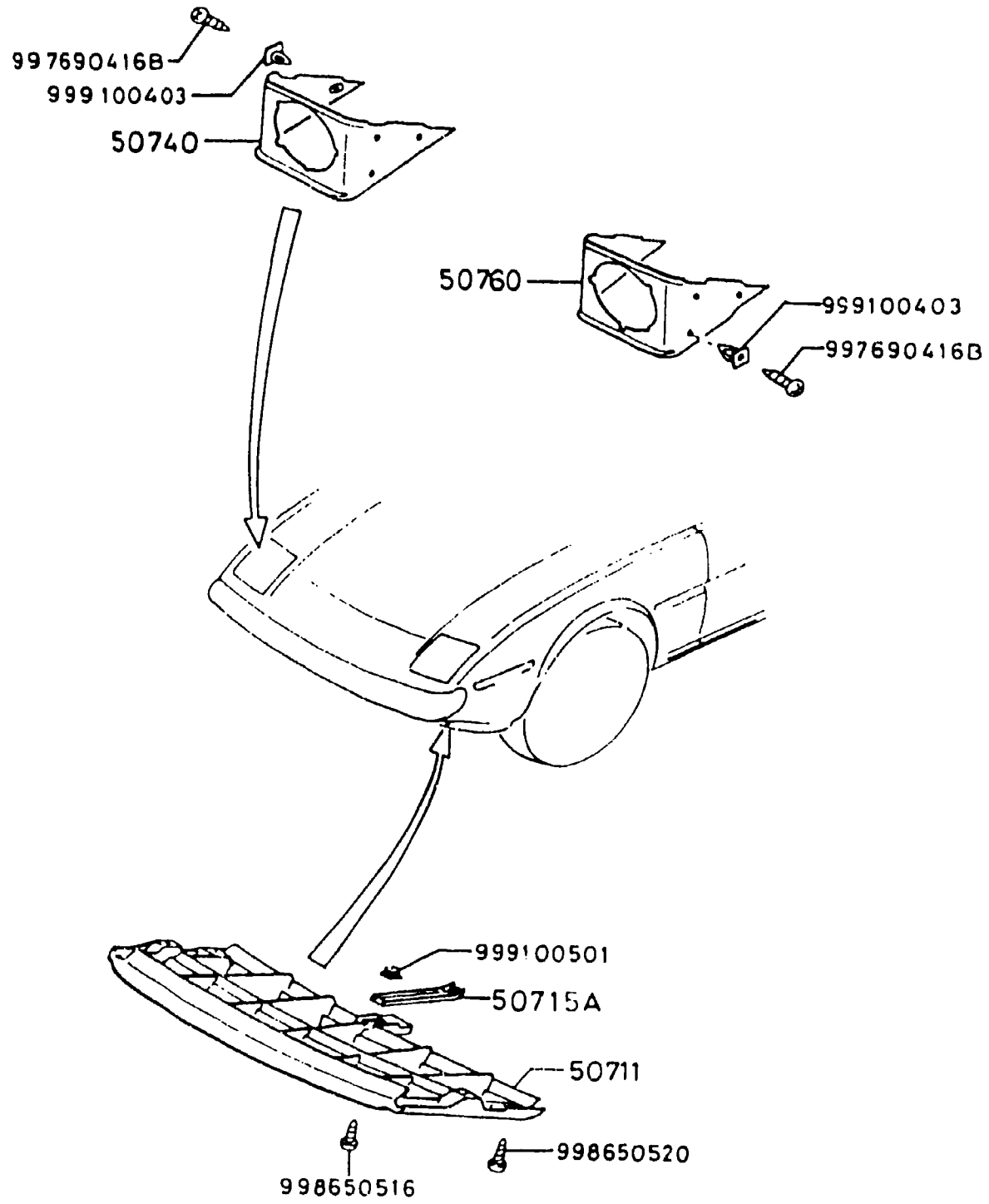


REFER TO SECT.NO.5005A

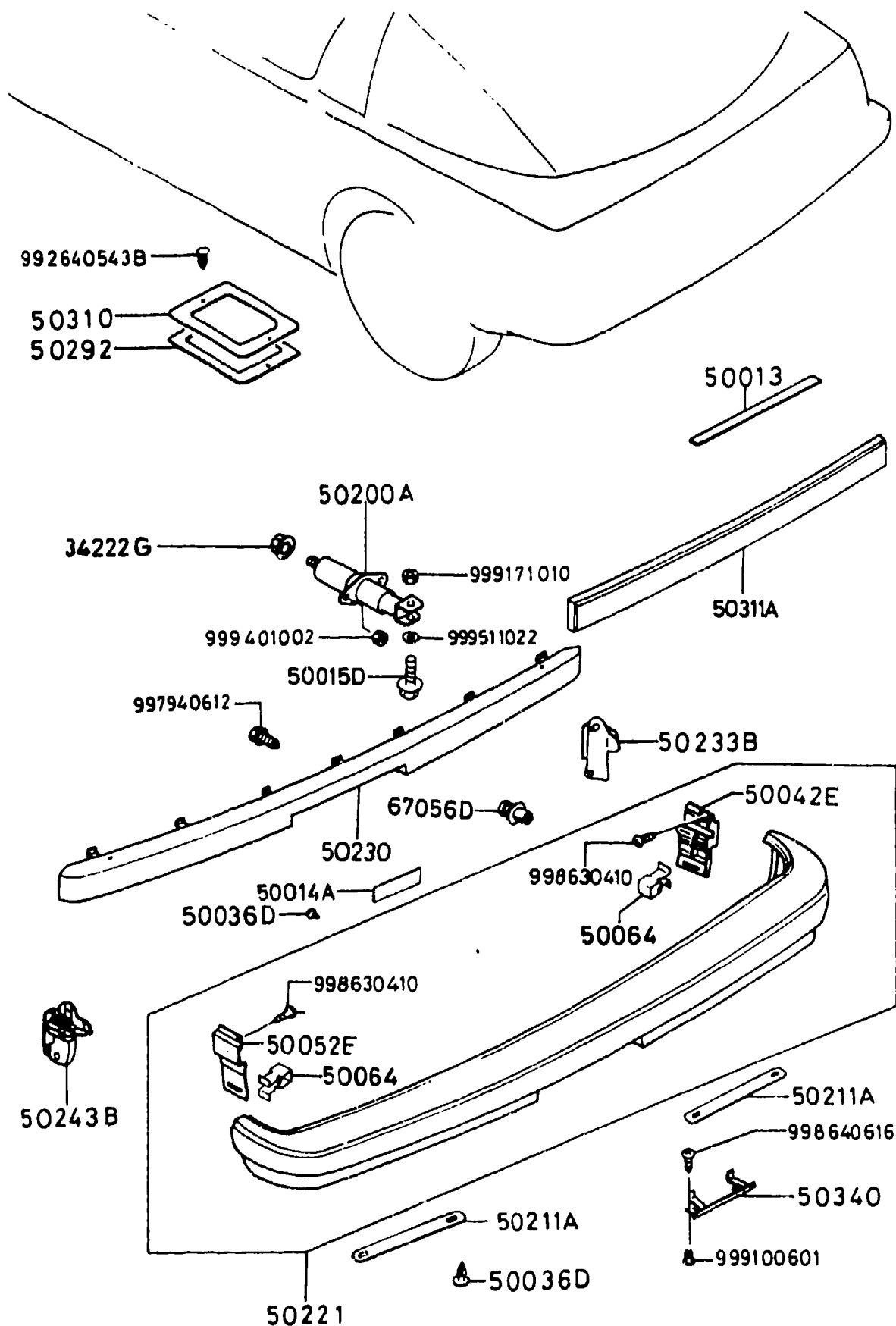
ITEM NO.	D-CODE	DESCRIPTION	PART NO.	QTY	MODEL/DESCRIPTION	REMARKS
50 012A		PROTECTOR	FA01-50-012	1		
50 014		PROTECTOR	FA01-50-014	2		
50 015C		BOLT	FA01-50-015	2		
50 016		PROTECTOR	FA01-50-016	2		
50 030		HOLDER, LICENSE PLATE	FA01-50-180	1		
50 031		BUMPER, FRONT	FA01-50-030A	1		
50 036C		FASTENER	FA01-50-036	9		
50 037C		FASTENER	FA01-50-037	5		
50 040		REINFORCEMENT, BUMPER	FA01-50-150A	1		
50 042D		SLIDE 'B' (R), BUMPER	FA01-50-042	1		
50 043D		SLIDE 'A' (R), BUMPER	FA01-50-040	1		
50 052D		SLIDE 'B' (L), BUMPER	FA01-50-052	1		
50 053D		SLIDE 'A' (L), BUMPER	FA01-50-050	1		
50 100		ABSORBER (R), SHOCK	FA01-50-070	1		
		ABSORBER (L), SHOCK	FA01-50-080	1		
50 825C		NUT, CLIP	8871-50-825	4	THRU FEB. '85 PROD.	FB33* ..800001-889473
			FA01-50-054	4	FROM MAR. '85 PROD.	FB33* ..889474-

5005A-1 RADIATOR GRILLE

ITEM NO.	D-CODE	DESCRIPTION	PART NO.	QTY	MODEL/DESCRIPTION	REMARKS
50 711		GRILLE, RADIATOR	FA01-50-711A	1		
50 715A		BRACKET, RADIATOR GRILLE	8871-50-720	1		
50 740		BEZEL (R), LAMP	8871-50-741	1		
50 760		BEZEL (L), LAMP	8871-50-761	1		

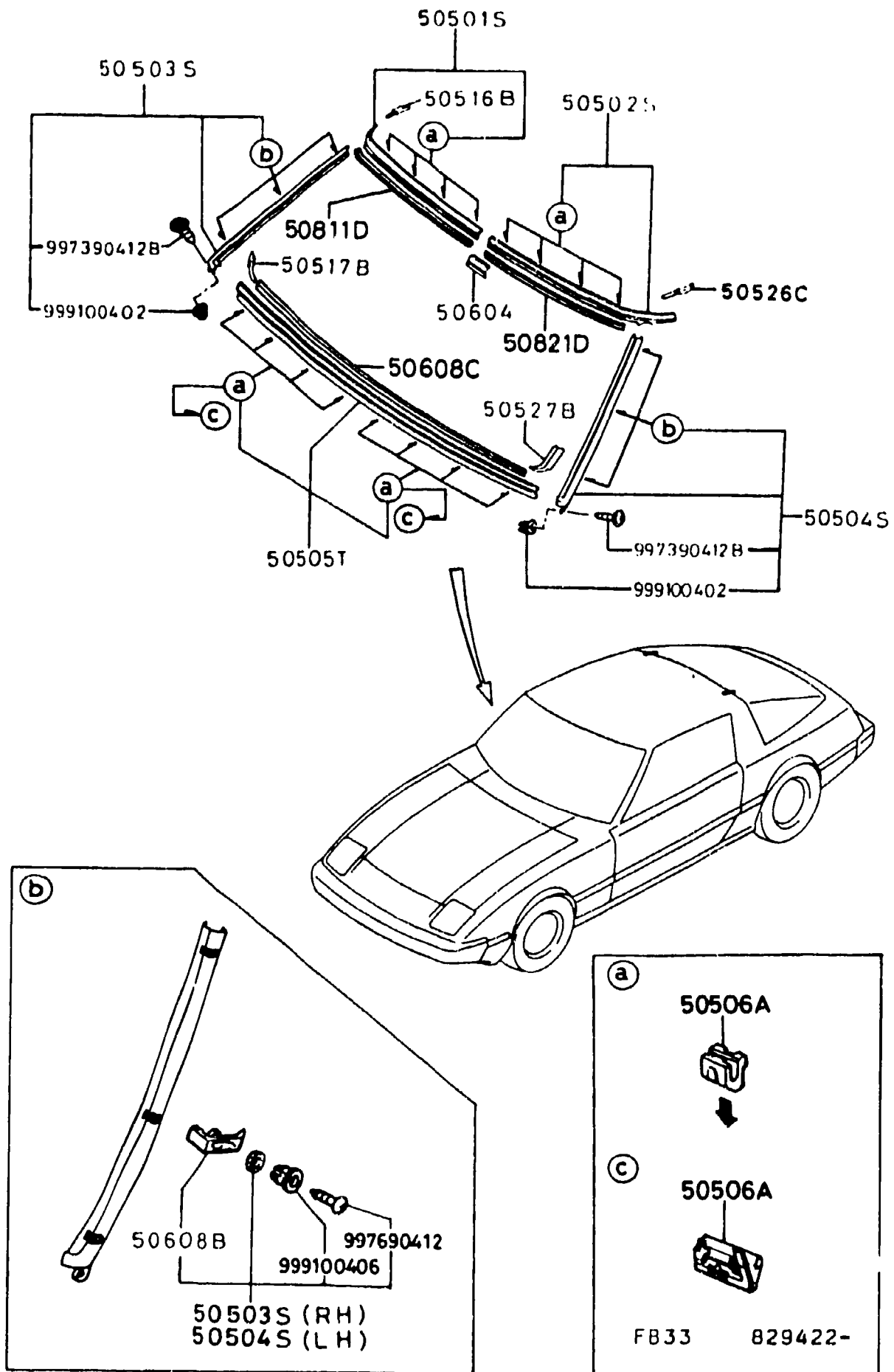


5010A-1 REAR BUMPER



ITEM NO.	D-CODE	DESCRIPTION	PART NO.	QTY	MODEL DESCRIPTION	REMARKS
	34 222G	NUT, SHOCK ABSORBER	8871-34-222	2		
	50 013	PROTECTOR	FA01-50-013	3		
	50 014A	PROTECTOR	FA01-50-014	2		
	50 015D	BOLT	FA01-50-015	2		
	50 036D	FASTENER	FA01-50-036	1		
	50 042E	SLIDE 'B' (R), BUMPER	FA01-50-232	1		
	50 052E	SLIDE 'B' (L), BUMPER	FA01-50-242	1		
	50 064	CLIP, RETAINER-BUMPER	FA01-50-064	2		
	50 200A	ABSORBER, SHOCK RR.	FA01-50-280A	2		
	50 211A	PLATE SET	FA01-50-211	4		
	50 221	BUMPER, REAR	FA01-50-220	1		
	50 230	REINFORCEMENT, BUMPER	FA01-50-330A	1		
	50 233B	SLIDE 'A' (R), BUMPER	FA01-50-230	1		
	50 243B	SLIDE 'A' (L) BUMPER	FA01-50-240	1		
	50 292	GASKET, HOLE COVER	8871-50-232	2		
	50 310	COVER, SERVICE HOLE	8871-50-231	2		
	50 311A	FILLER, REAR BUMPER	FA01-50-223	1		
	50 340	HOLDER, LICENSE PLATE	FA01-50-380	1		
	67 056D	RIVET	W023-67-056	7		

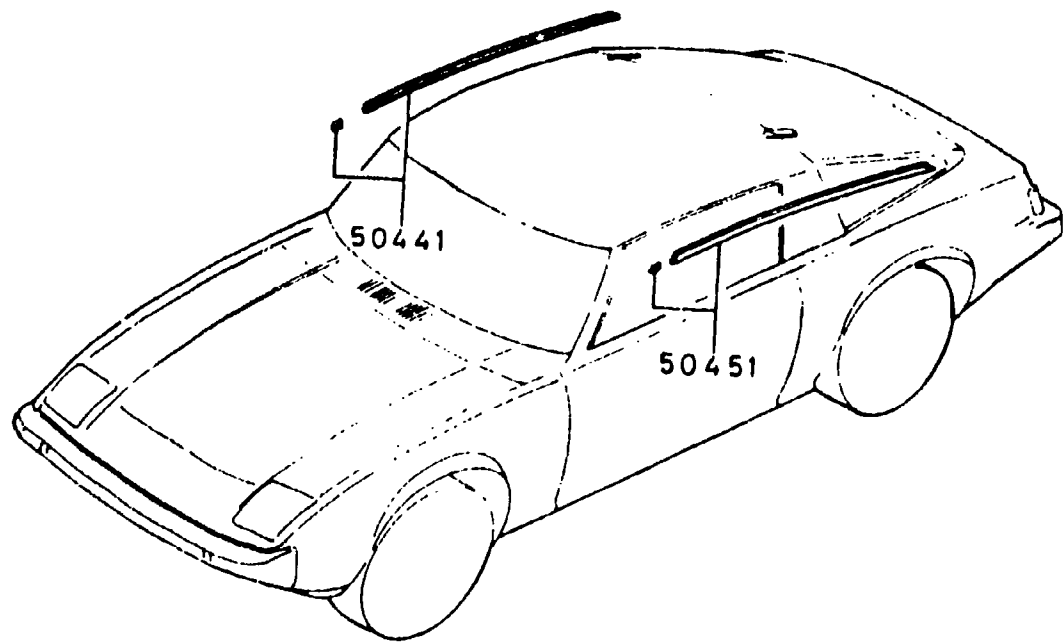
5030A-1 WINDOW MOULDINGS



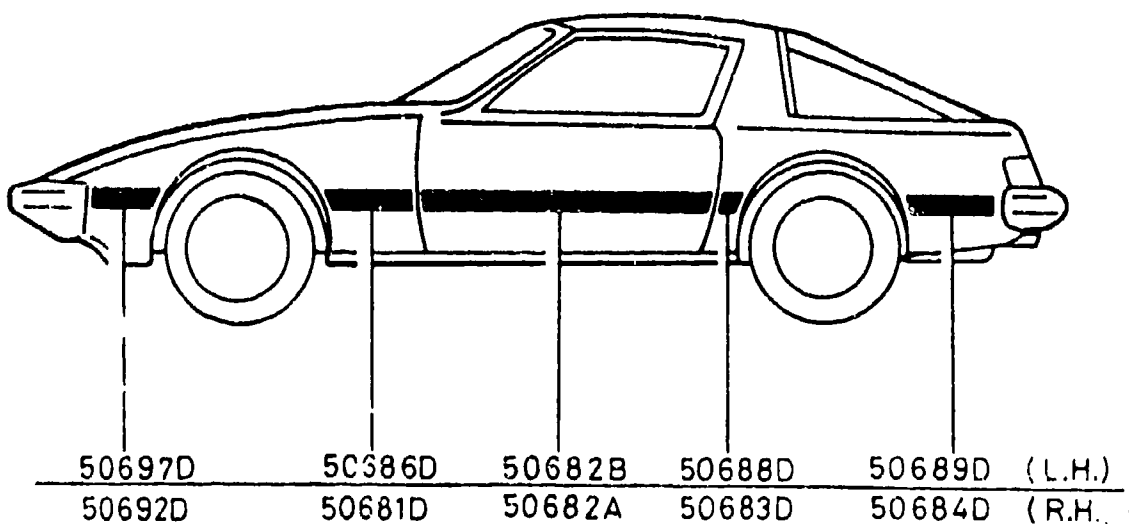
ITEM NO.	D-CODE	DESCRIPTION	PART NO.	QTY	MODEL/DESCRIPTION	REMARKS
50 501S		MOULDING SET (R), UPPER FRONT	8871-99-741C	1		
50 502S		MOULDING SET (L), UPPER FRONT	8871-99-742C	1		
50 503S		MOULDING SET (R) SIDE FRONT	8871-99-743B	1		
50 504S		MOULDING SET (L), SIDE FRONT	8871-99-744B	1		
50 505T		MOULDING SET, LOWER FRONT	8871-99-745A	1		
50 506A		CLIP, MOULDING	8871-50-609	16	THRU MAR. '84 PROD.	FB33* ..800001-829421
			1243-50-609	8	FROM APR. '84 PROD.	FB33* ..829422-
50 516B		DUM 'A' (R)	8871-50-516	1		
50 517B		DUM 'B' (R)	8871-50-517	1		
50 526C		DUM 'A' (L)	8871-50-526	1		
50 527B		DUM 'B' (L)	8871-50-527	1		
50 604		JOINT, MOULDING UPPER	8871-50-950C	1		
50 608B		FASTENER, WINDOW MLDG.	8871-50-608	6		
50 608C		PROTECTOR	8871-50-918	1		
50 811D		PROTECTOR (R), FRONT SIDE	8871-50-917A	1		
50 821D		PROTECTOR (L), FRONT SIDE	8871-50-927A	1		

5040A-1 BODY MOULDINGS

ITEM NO.	D-CODE	DESCRIPTION	PART NO	QTY	MODEL/DESCRIPTION	REMARKS
	50 441	MOULDING (R), DRIP	8871-50-510C	1		
	50 451	MOULDING (L), DRIP	8871-50-520C	1		

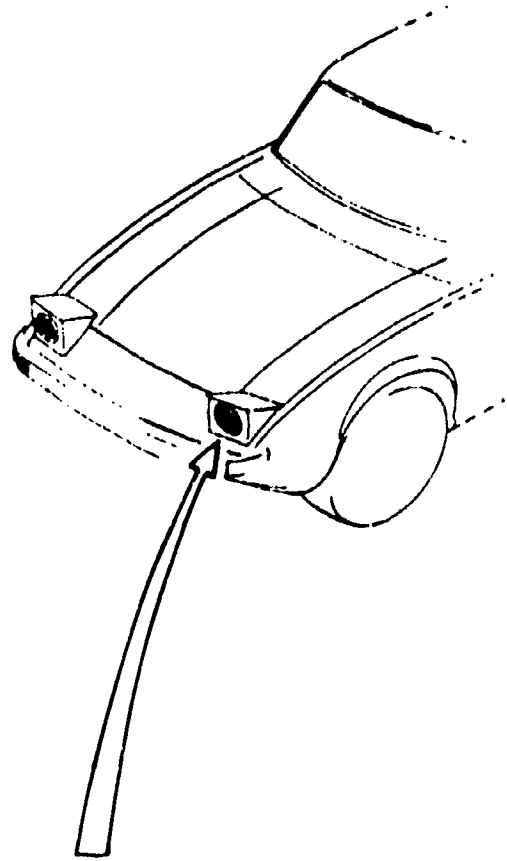


5060A-1 SIDE PROTECTORS

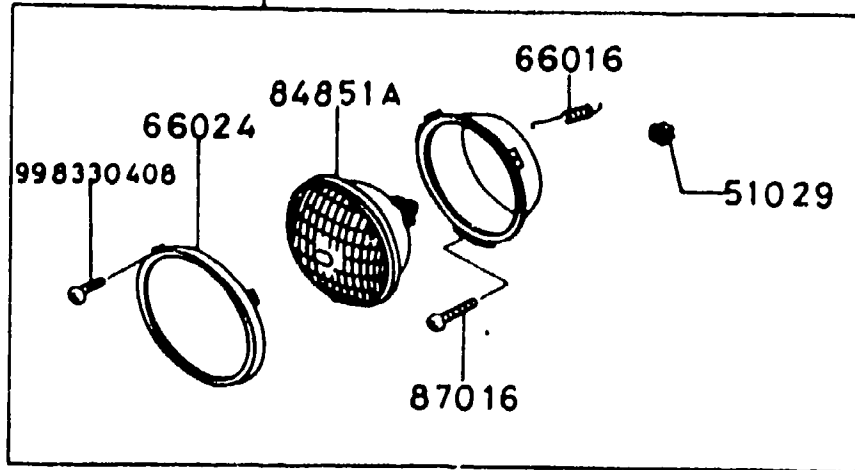


ITEM NO.	D-CODE	DESCRIPTION	PART NO.	QTY	MODEL/DESCRIPTION	REMARKS
	50 681D	PROTECTOR 'B' (R), SIDE	FA02-50-682	1		
	50 682A	PROTECTOR 'C' (R), SIDE	FA02-50-683	1		
	50 682B	PROTECTOR 'C' (L), SIDE	FA02-50-693	1		
	50 683D	PROTECTOR 'D' (R), SIDE	FA02-50-684	1		
	50 684D	PROTECTOR 'E' (R), SIDE	FA01-50-685	1		
	50 686D	PROTECTOR 'B' (L), SIDE	FA02-50-692	1		
	50 688D	PROTECTOR 'D' (L), SIDE	FA02-50-694	1		
	50 689D	PROTECTOR 'E' (L), SIDE	FA01-50-695	1		
	50 692D	PROTECTOR 'A' (R), SIDE	FA01-50-681	1		
	50 697D	PROTECTOR 'A' (L), SIDE	FA01-50-691	1		

5100A-1 HEAD LAMPS

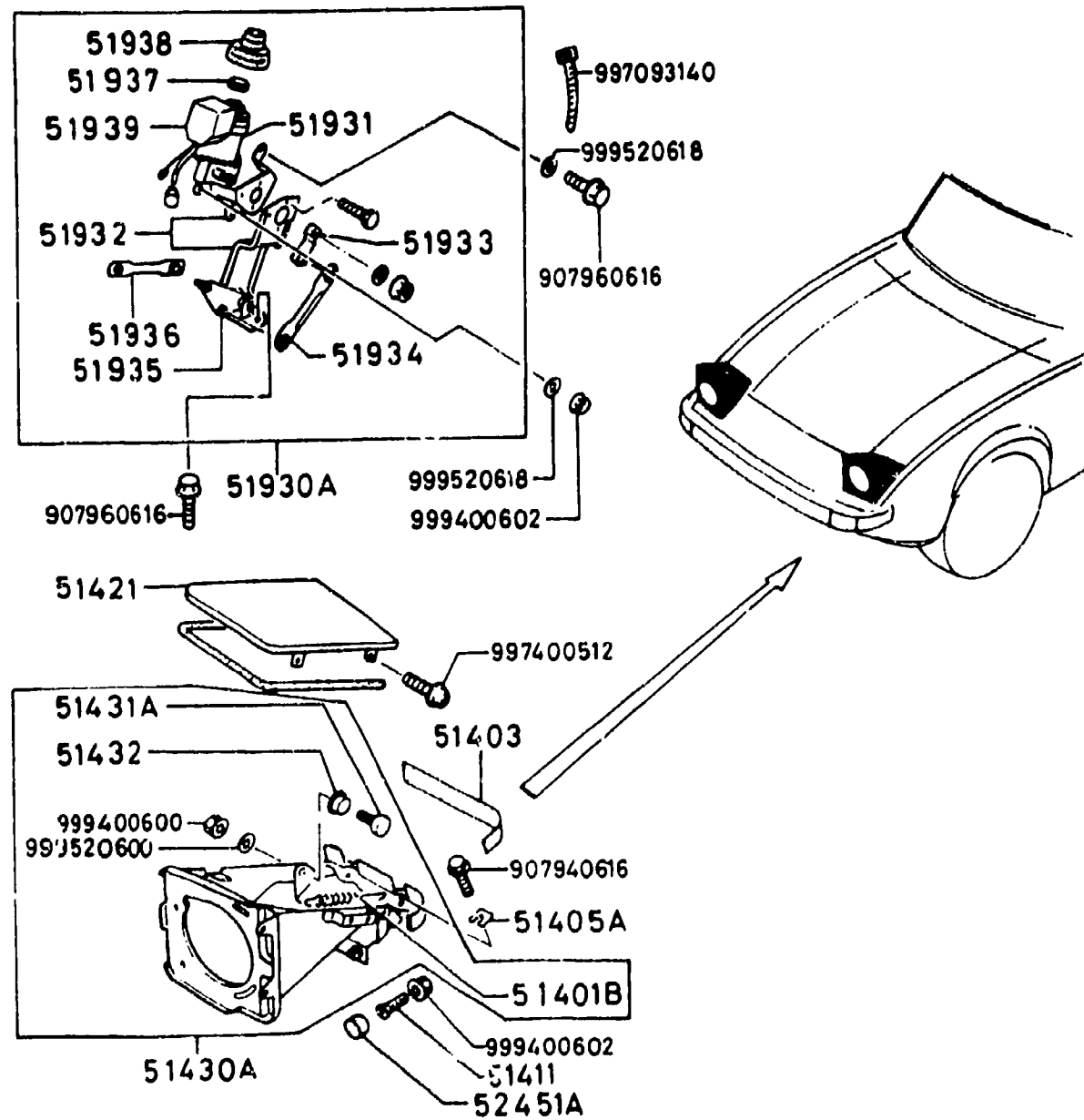


51030S
51030T



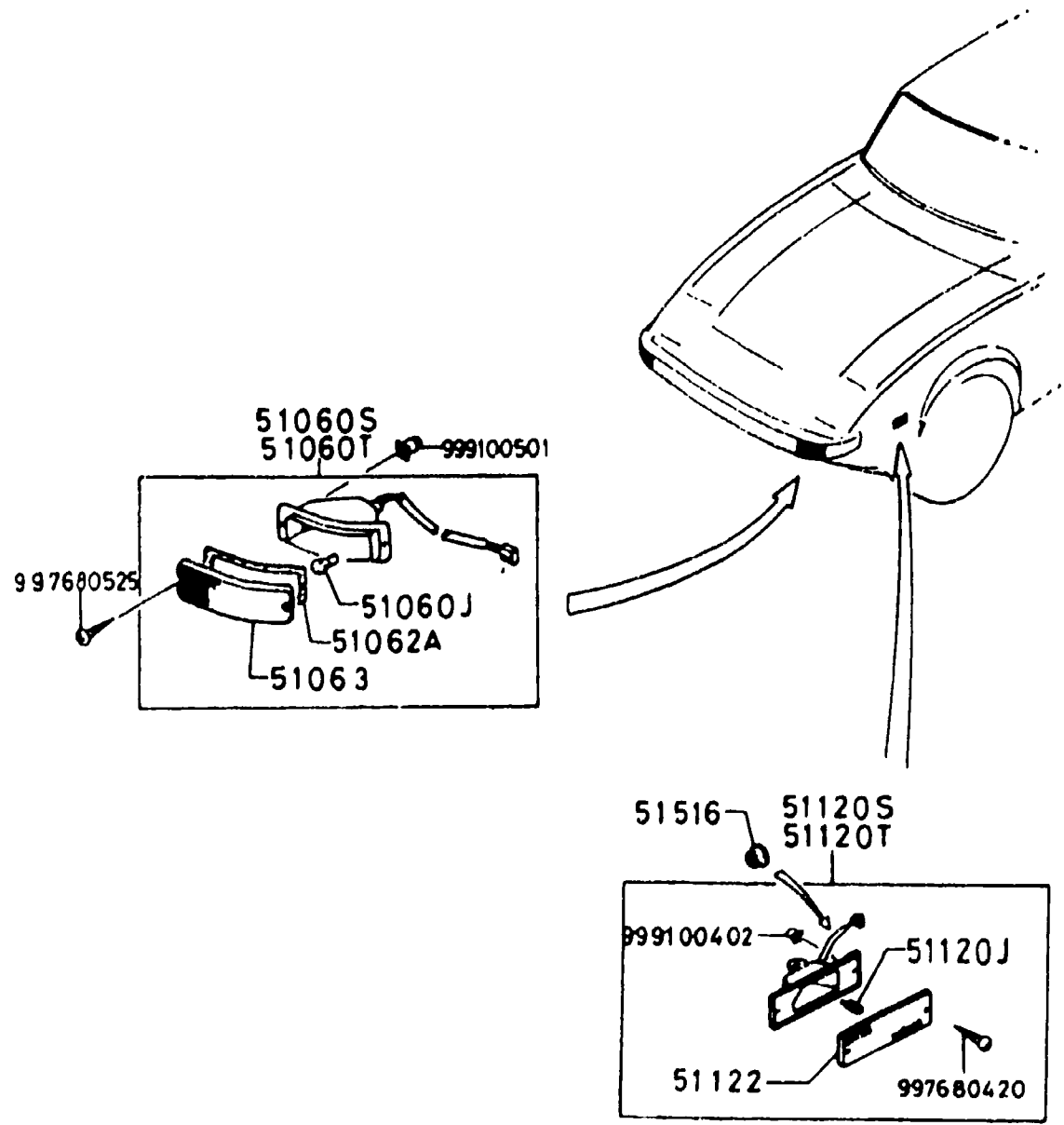
ITEM NO.	D-CODE	DESCRIPTION	PART NO.	QTY	MODEL/DESCRIPTION	REMARKS
	51 029	GROMMET, SCREW	0403-66-061A	4		
	51 030S	LAMP SET (R), HEAD	FA02-89-661	1	(HALOGEN)	
			8871-89-661	1	(CONVENTIONAL)	
	51 030T	LAMP SET (L), HEAD	FA02-89-666	1	(HALOGEN)	
			8871-69-666	1	(CONVENTIONAL)	
	66 016	SPRING ADJUST	8871-51-021	2		
	66 024	RING, RETAINING	8871-51-033	2		
	84 851A	BEAM, SEALED	0000-11-6024-HL	2	(HALOGEN)	
			0000-11-6014	2	(CONVENTIONAL)	
	87 016	SCREW, ADJUST	3958-51-021	4		

5103A-1 HEAD LAMP RETRACTOR



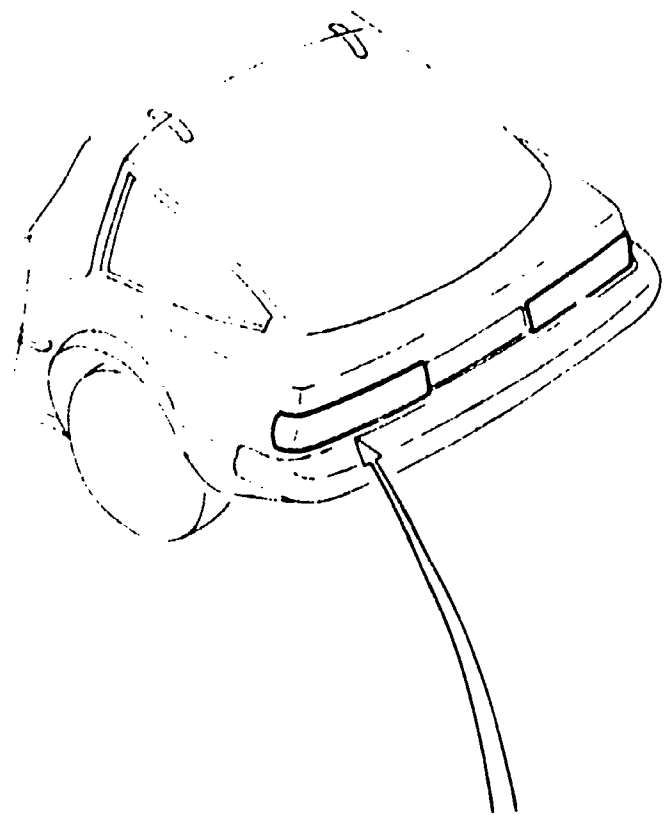
ITEM NO.	D-CODE	DESCRIPTION	PART NO.	QTY	MODEL/DESCRIPTION	REMARKS
	51 401B	SPRING, LID-LAMP	8871-51-401	2		
	51 403	PROTECTOR	8871-51-403	2		
	51 405A	SHIM, TILTING HINGE	8871-51-405	6		
	51 411	SCREW, STOPPER	8871-51-411	2		
	51 421	LID (R), LAMP	8871-51-421A	1		
		LID (L), LAMP	8871-51-621A	1		
	51 430A	HINGE (R), LID-LAMP	8871-51-430C	1		
		HINGE (L), LID-LAMP	8871-51-630C	1		
	51 431A	BOLT, HINGE	H001-51-511	4		
	51 432	BUSHING, HINGE BOLT	8871-51-432	4		
	51 930A	MOTOR & LINK (R)	FA01-51-930B	1		
		MOTOR & LINK (L)	FA01-51-940B	1		
	51 931	MOTOR (R)	FA01-51-931B	1		
		MOTOR (L)	FA01-51-941B	1		
	51 932	BRACKET (R)	8871-51-932	1		
		BRACKET (L)	8871-51-942	1		
	51 933	ROD, MOTOR	8871-51-933	2		
	51 934	ROD 'A'	8871-51-934	2		
	51 935	LEVER (R), LINK	8871-51-935	1		
		LEVER (L), LINK	8871-51-945	1		
	51 936	ROD 'B'	8871-51-936	2		
	51 937	KNOB	H001-51-667	2		
	51 938	BOOT	H001-51-666	2		
	51 939	RELAY	FA01-51-939	2		
	52 451A	RUBBER, CUSHION	0866-52-451	2		

5105A-1 FRONT COMBINATION LAMPS

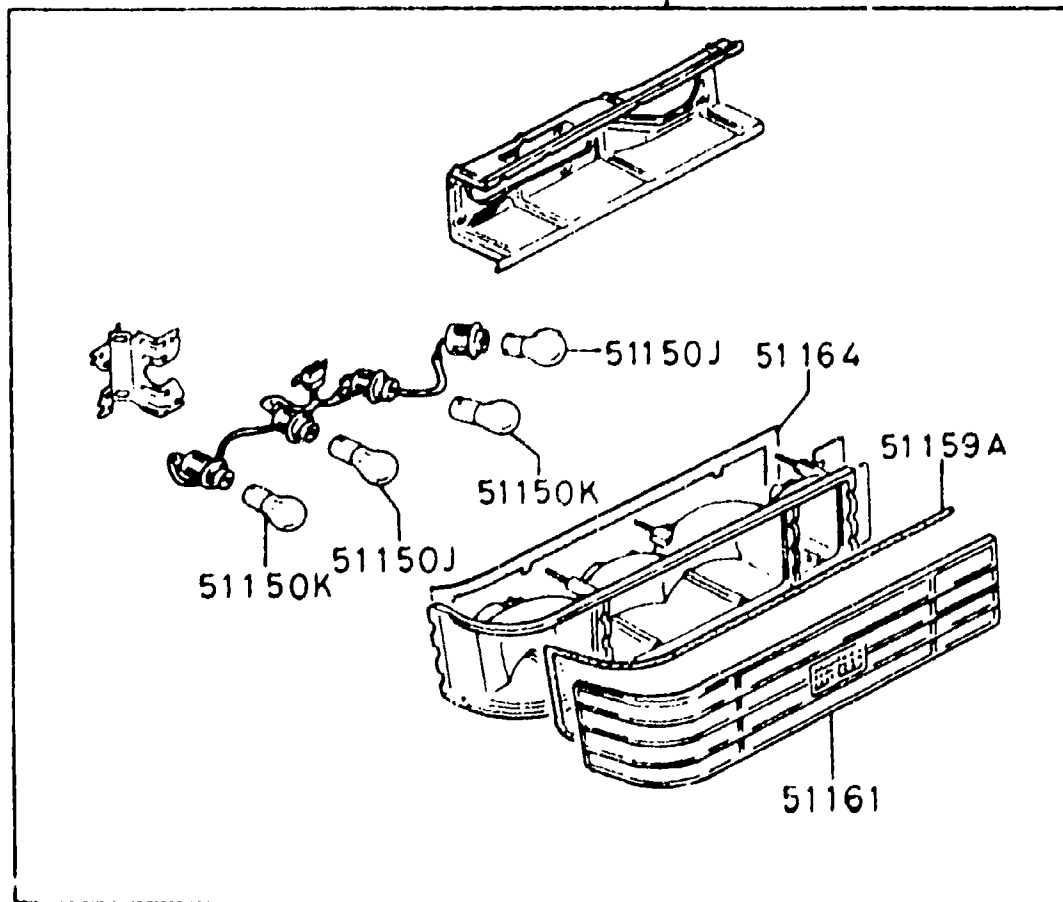


ITEM NO.	D-CODE	DESCRIPTION	PART NO.	QTY	MODEL/DESCRIPTION	REMARKS
	51 060J	BULB	0000-11-1157	2	(12V 27W/8W)	
	51 060S	LAMP SET (R), FRONT COMB.	FA01-89-662	1		
	51 060T	LAMP SET (L), FRONT COMB.	FA01-89-667	1		
	51 062A	GASKET, FRONT COMB.	FA01-51-063	2		
	51 063	LENS (R), FRONT COMB.	FA01-51-061	1		
		LENS (L), FRONT COMB.	FA01-51-071	1		
	51 120J	BULB	0000-11-0194	2	(12V 3.8W)	
	51 120S	LAMP SET (R) SIDE TURN	FA01-89-663	1		
	51 120T	LAMP SET (L) SIDE TURN	FA01-89-668	1		
	51 122	LENS (R), SIDE TURN	FA01-51-121	1		
		LENS (L), SIDE TURN	FA01-51-131	1		
	51 516	PROTECTOR, CORD	8545-51-516	2		

5110A-1 REAR COMBINATION LAMPS

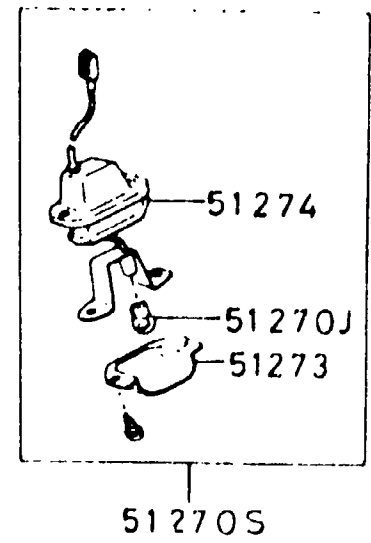
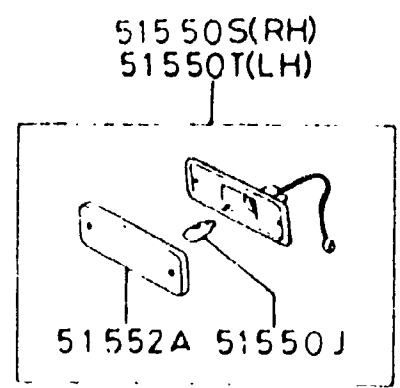
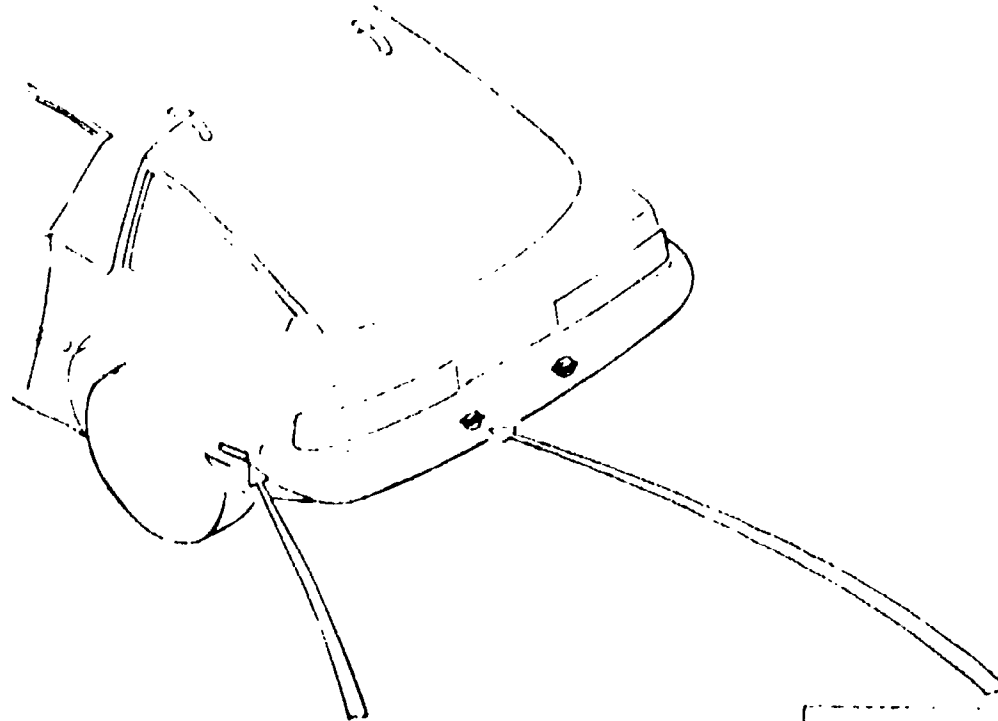


51150S(RH)
51150T(LH)



ITEM NO	D-CODE	DESCRIPTION	PART NO	QTY	MODEL/DESCRIPTION	REMARKS
	51 150J	BULB	0000-11-1156	4	(12V 27W)	
	51 150K	BULB	0000-11-1157	4	(12V 27W/8W)	
	51 150S	LAMP SET (R), REAR COMB.	FA01-89-664	1		
	51 150T	LAMP SET (L), REAR COMB.	FA01-89-669	1		
	51 159A	PROTECTOR, REAR COMB	FA01-51-159	2		
	51 161	LENS (R), REAR COMB.	FA01-51-151D	1		
		LENS (L), REAR COMB.	FA01-51-161D	1		
	51 164	GASKET (R), REAR COMB.	FA01-51-153A	1		
		GASKET (L), REAR COMB.	FA01-51-163A	1		

5120A-1 LICENSE LAMPS



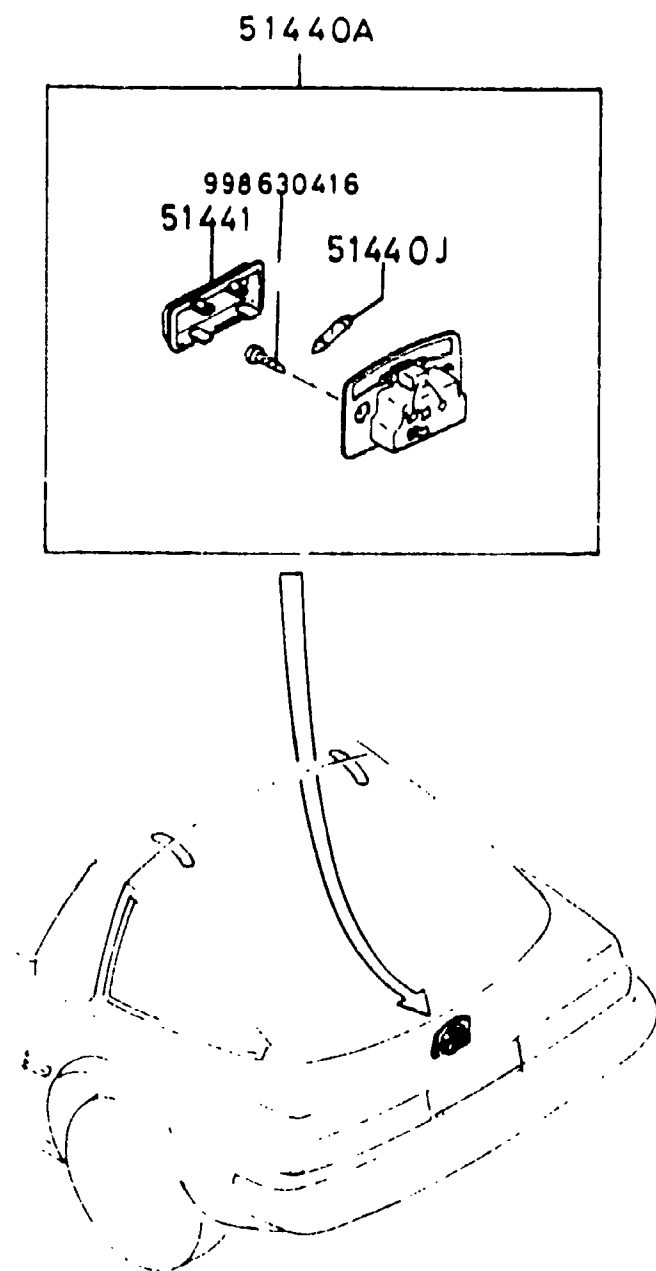
ITEM NO	D-CODE	DESCRIPTION	PART NO	QTY	MODEL/DESCRIPTION	REMARKS
51 270J		BULB	9970-03-060T	2		
51 270S		LAMP SET, LICENSE	3874-89-665A	2		
51 273		LENS, LICENSE LAMP	3874-66-3/1	2		
51 274		GASKET, LICENSE LAMP	3874-66-373	2		
51 550J		BULB	0000-11-0194	2	(12V 3.8W)	
51 550S		LAMP SET (R) SIDE TURN	FA01-89-673	1		
51 550T		LAMP SET (L) SIDE TURN	FA01-89-678	1		
51 552A		LENS (R) SIDE TURN	FA01-51-551	1		
		LENS (L) SIDE TURN	FA01-51-561	1		

SECTION INDEX -- BODY

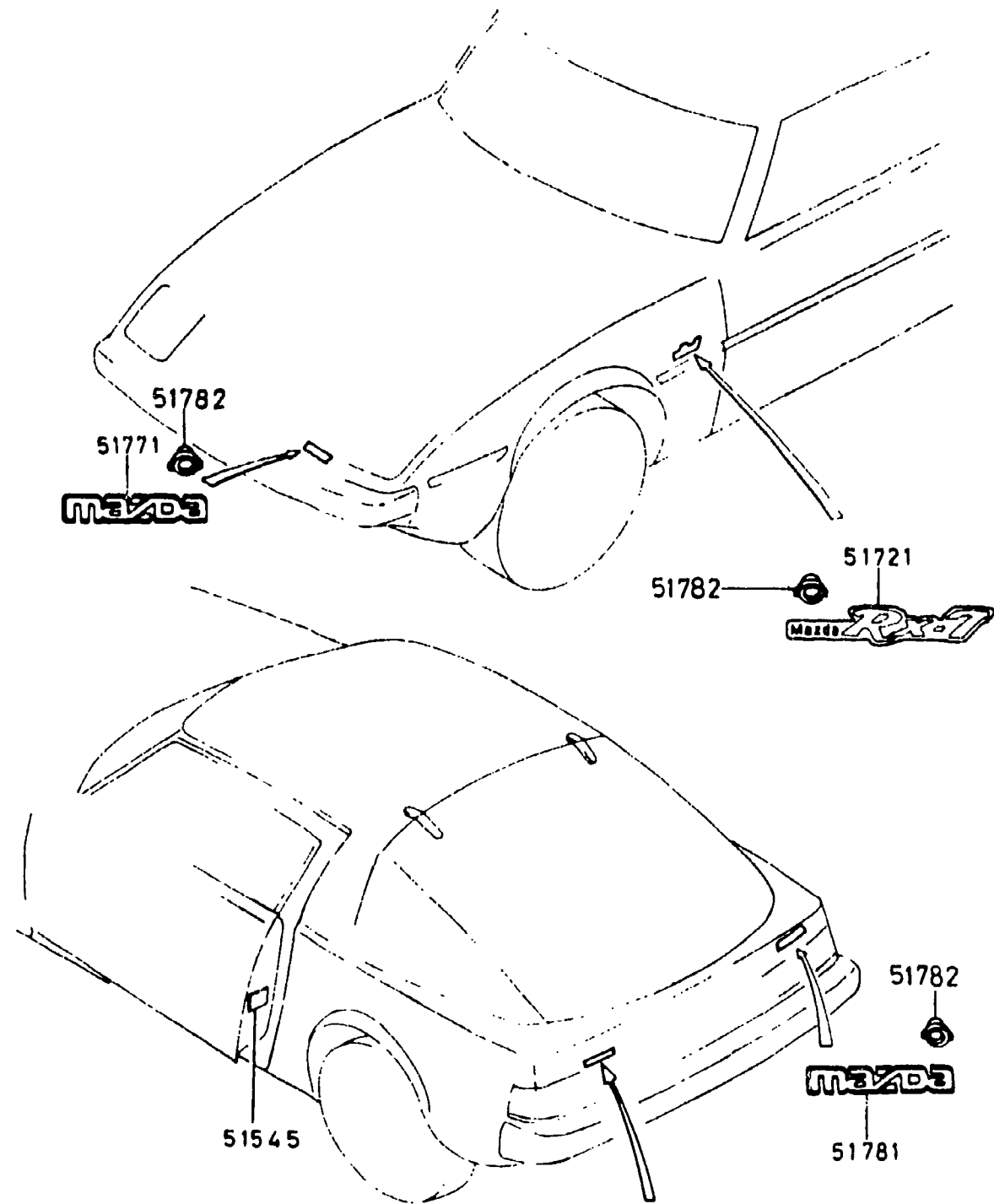
STARTING LOCATION	SECT NO	SECTION NAME	STARTING LOCATION	SECT NO	SECTION NAME	STARTING LOCATION	SECT NO	SECTION NAME
2 - C 3	0900A	KEY SETS	2 - C 7	5840A	FRONT DOOR TRIM & RELATED PARTS	2 - G 10	6702A	WIRE HARNESS (DASHBOARD)
2 - D 3	5000A	FRONT BUMPER	2 - H 7	6100A	HEATER	2 - H 10	6703A	WIRE HARNESS (DOOR, FLOOR, CEILING)
2 - E 3	5005A	RADIATOR GRILLE	2 - I 7	6110A	HEATER UNIT COMPONENTS	2 - I 10	6704A	WIRE HARNESS CLAMPS
2 - F 3	5010A	REAR BUMPER	2 - J 7	6115A	HEATER CONTROLS COMPONENTS	2 - J 10	6720A	WINDSHIELD WASHER
2 - G 3	5030A	WINDOW MOULDINGS	2 - K 7	6120A	HEATER BLOWER COMPONENTS	2 - K 10	6730A	WINDSHIELD WIPER
2 - H 3	5040A	BODY MOULDINGS	2 - L 7	6125B	AIR CONDITIONER	2 - L 10	6740A	WIPER MOTOR COMPONENTS (FRONT)
2 - I 3	5060A	SIDE PROTECTORS	2 - M 7	6130B	AIR CONDITIONER (NIPPONDENSO)	2 - M 10	6750A	WINDOW WIPER & WASHER (REAR) (GSL, GSL-SE)
2 - J 3	5100A	HEAD LAMPS	2 - C 8	6132B	AIR CONDITIONER (WYNN'S)	2 - N 10	6760A	WINDOW WIPER MOTOR COMPONENTS (REAR) (GSL, GSL-SE)
2 - K 3	5103A	HEAD LAMP RETRACTOR	2 - D 8	6140B	A C COMPRESSOR BRACKETS (NIPPONDENSO)	2 - C 11	6800A	CEILING TRIM
2 - L 3	5105A	FRONT COMBINATION LAMPS	2 - F 8	6142B	A C COMPRESSOR COMPONENTS (WYNN'S)	2 - D 11	6820A	PILLAR TRIM
2 - M 3	5110A	REAR COMBINATION LAMPS	2 - H 8	6145B	A C COMPRESSOR COMPONENTS (NIPPONDENSO)	2 - F 11	6840A	TRIM & SCUFF PLATE
2 - N 3	5120A	LICENSE LAMPS	2 - J 8	6150B	COOLING UNIT (NIPPONDENSO)	2 - I 11	6860A	FLOOR MATS & PADS
2 - C 4	5125A	INTERIOR LAMPS	2 - L 8	6152B	COOLING UNIT (WYNN'S)	2 - J 11	6870A	SERVICE TOOLS
2 - D 4	5170A	ORNAMENTS	2 - M 8	6230A	BACK DOOR MECHANISM	2 - K 11	6900A	VISOR, ASSIST HANDLE & MIRRORS
2 - E 4	5180A	COWL & EXTRACTOR GRILLES	2 - N 8	6300A	WINDOW GLASSES	2 - N 11	6930A	CAUTION PLATES & LABEL
2 - F 4	5230A	HOOD	2 - C 9	6330A	SUNROOF (GSL, GSL SE)			
2 - G 4	5310A	BODY PANELS (FRONT)	2 - D 9	6600A	SWITCH & RELAY (ENGINE)			
2 - H 4	5320A	BODY PANELS (FENDER & WHEEL APRON)	2 - F 9	6610A	DASHBOARD SWITCHES (MANUAL OPERATING)			
2 - I 4	5330A	BODY PANELS (DASH & COWL PANEL)	2 - G 9	6611A	COMBINATION SWITCH			
2 - J 4	5340A	BODY PANELS (SIDE)	2 - H 9	6612A	CLUSTER SWITCH (RIGHT SIDE)			
2 - K 4	5360A	BODY PANELS (ROOF)	2 - I 9	6613A	CLUSTER SWITCH (LEFT SIDE)			
2 - L 4	5370A	BODY PANELS (FLOOR)	2 - J 9	6615A	POWER WINDOW SWITCH			
2 - M 4	5390A	FLOOR ATTACHMENTS	2 - K 9	6620A	DOOR, PARKING LAMP & KICKDOWN SWITCHES			
2 - C 5	5500A	DASHBOARD EQUIPMENT	2 - L 9	6630A	RELAY & CPU (BODY)			
2 - F 5	5520A	METER HOOD	2 - M 9	6635A	HORN			
2 - G 5	5530A	SPEEDOMETER CABLE	2 - N 9	6640A	AUTO CRUISE CONTROLS			
2 - H 5	5540A	METERS	2 - C 10	6680A	AUDIO SYSTEMS (RADIO & TAPE DECK)			
2 - I 5	5550A	CLUSTER SWITCH COVER	2 - D 10	6682A	AUDIO SYSTEMS (ANTENNA & SPEAKER)			
2 - J 5	5560A	DASHBOARD & RELATED	2 - E 10	6700A	WIRE HARNESS (FRONT & REAR)			
2 - L 5	5570A	CONSOLE	2 - F 10	6701A	WIRE HARNESS (ENGINE & TRANSMISSION)			
2 - N 5	5580A	VENTILATOR						
2 - C 6	5700A	FRONT SEAT						
2 - H 6	5790A	SEAT BELTS						
2 - I 6	5800A	FRONT DOOR						
2 - J 6	5830A	FRONT DOOR MECHANISMS						

5125A-1 INTERIOR LAMPS

ITEM NO.	D-CODE	DESCRIPTION	PART NO	QTY	MODEL/DESCRIPTION	REMARKS
	51 440A	LAMP, CARGO ROOM	FA01-51-440	1		
	51 440J	BUJR	0000-11-3022	1	(5W)	
	51 441	LENS	FA01-51-441	1		



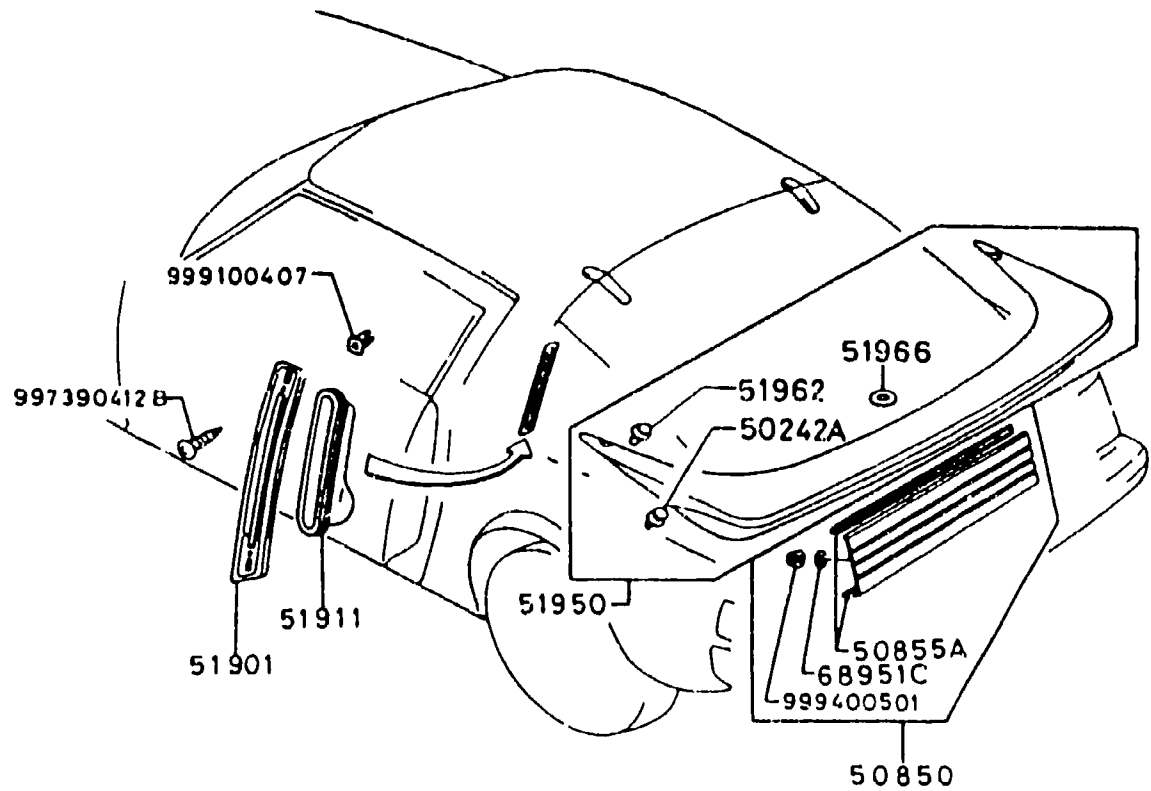
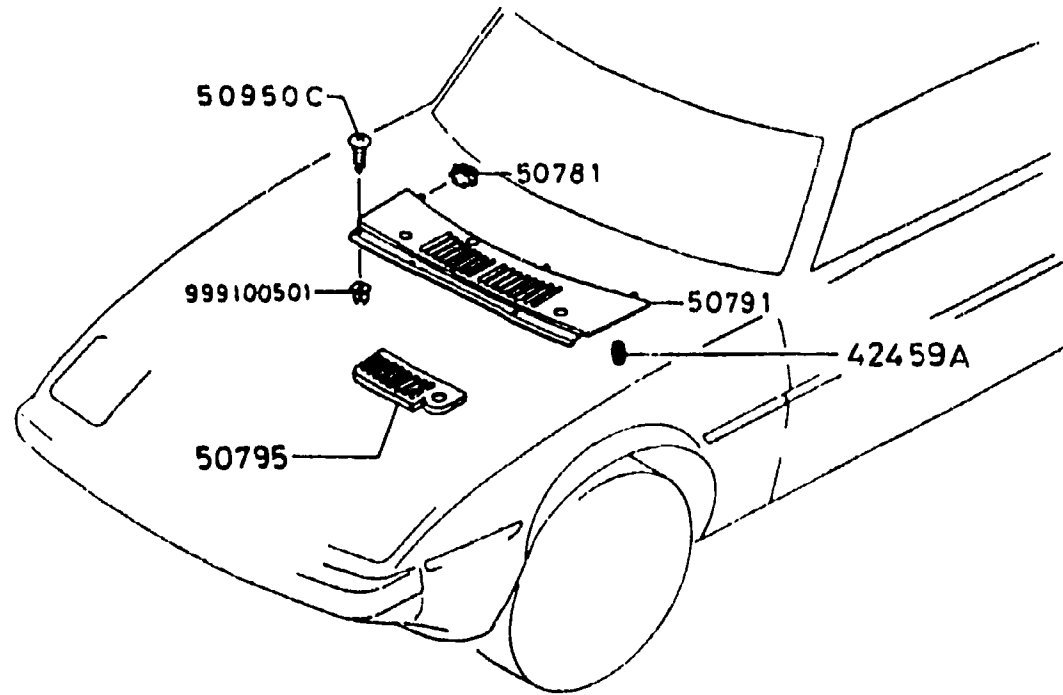
5170A-1 ORNAMENTS



- 51771A—GSLSE
- 51771A—GS-SE
- 51771A—GSL
- 51771A—GS

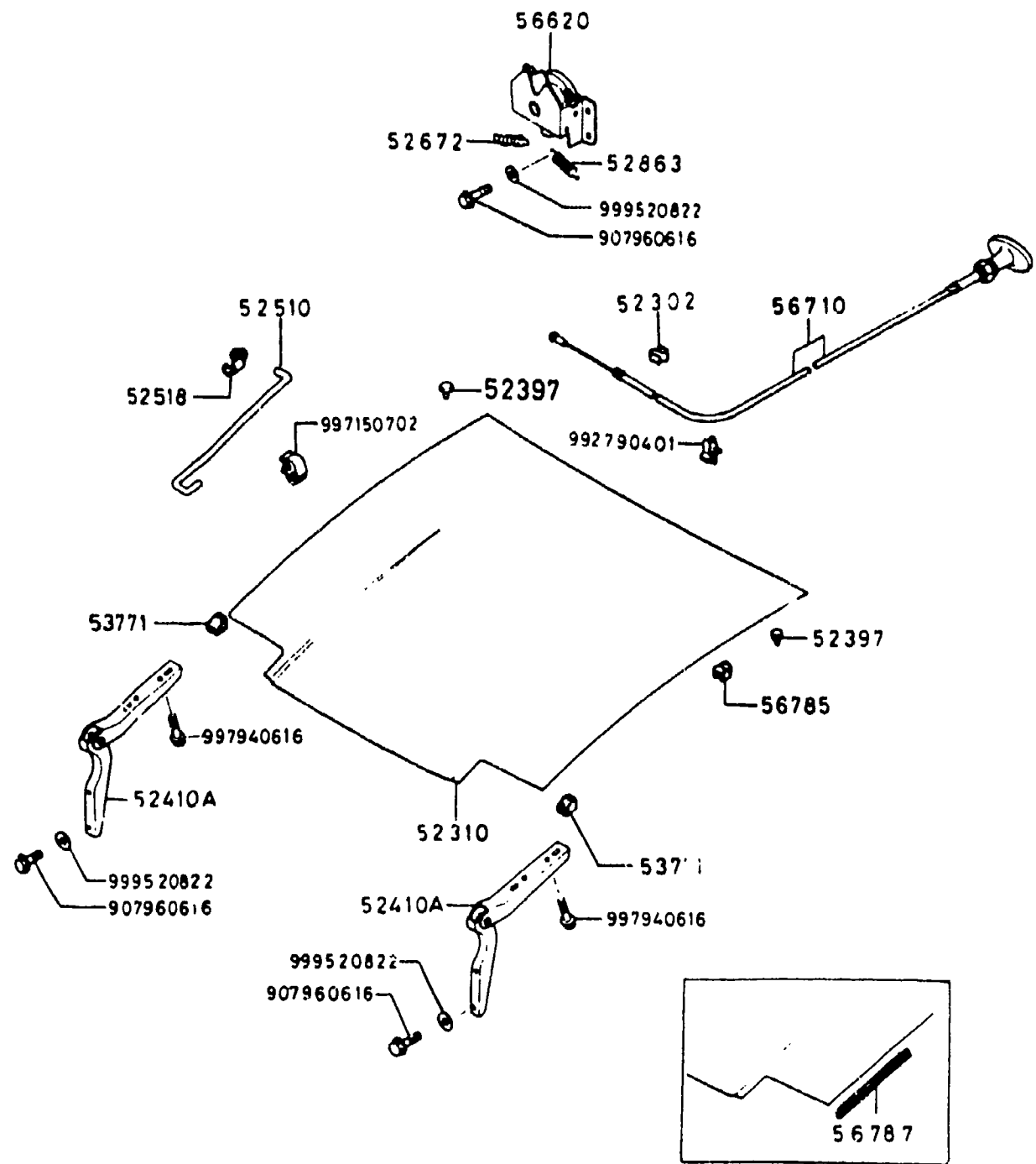
ITEM NO.	D-CODE	DESCRIPTION	PART NO.	QTY	MODEL/DESCRIPTION	REMARKS
51 545		REFLECTOR, DOOR	1243-51-545	1		
51 721		NAME, SIDE	FA02-51-720	2	'MAZDA RX-7'	
51 771		ORNAMENT, FRONT	F023-51-770A	1	'MAZDA'	
51 771A		MARK, REAR	FA54-51-761	1	'GS'	
			FA58-51-761	1	'GSL'	
			FA78-51-761	1	'GSL-SE'	
51 781		ORNAMENT, REAR	F023-51-780	1		
51 782		CLIP, TUBULAR	H001-51-782	11		

5180A-1 COWL & EXTRACTOR GRILLES



ITEM NO.	D-CODE	DESCRIPTION	PART NO.	QTY	MODEL/DESCRIPTION	REMARKS
	42 459A	RUBBER, CUSHION	0259-42-459	4		
	50 242A	FASTENER	G001-50-242	5		
	50 781	PROTECTOR, COWL GRILL	8531-50-792	3		
	50 791	GRILLE, COWL	FA54-50-791A	1		
	50 795	BAFFLE, COWL	FA54-50-795	1		
	50 850	FINISHER, REAR	FA07-50-840C	1		
	50 855A	PROTECTOR, RR. FINISHER	FA01-50-855	2		
	50 950C	SCREW	FA24-50-950	4	THRU NOV. '83 PROD.	FB33* ..800001-811184
	51 901	GRILLE (R), EXTRACTOR	8871-51-901C	1		
		GRILLE (L), EXTRACTOR	8871-51-951C	1		
	51 911	EXTRACTOR (R)	8871-51-911A	1		
		EXTRACTOR (L)	8871-51-961A	1		
	51 950	SPOILER, REAR	0000-86-2200	1		WESTERN REGION
	51 966	PROTECTOR	FA16-51-966	6		
	68 951C	PACKING	G030-50-978	2		

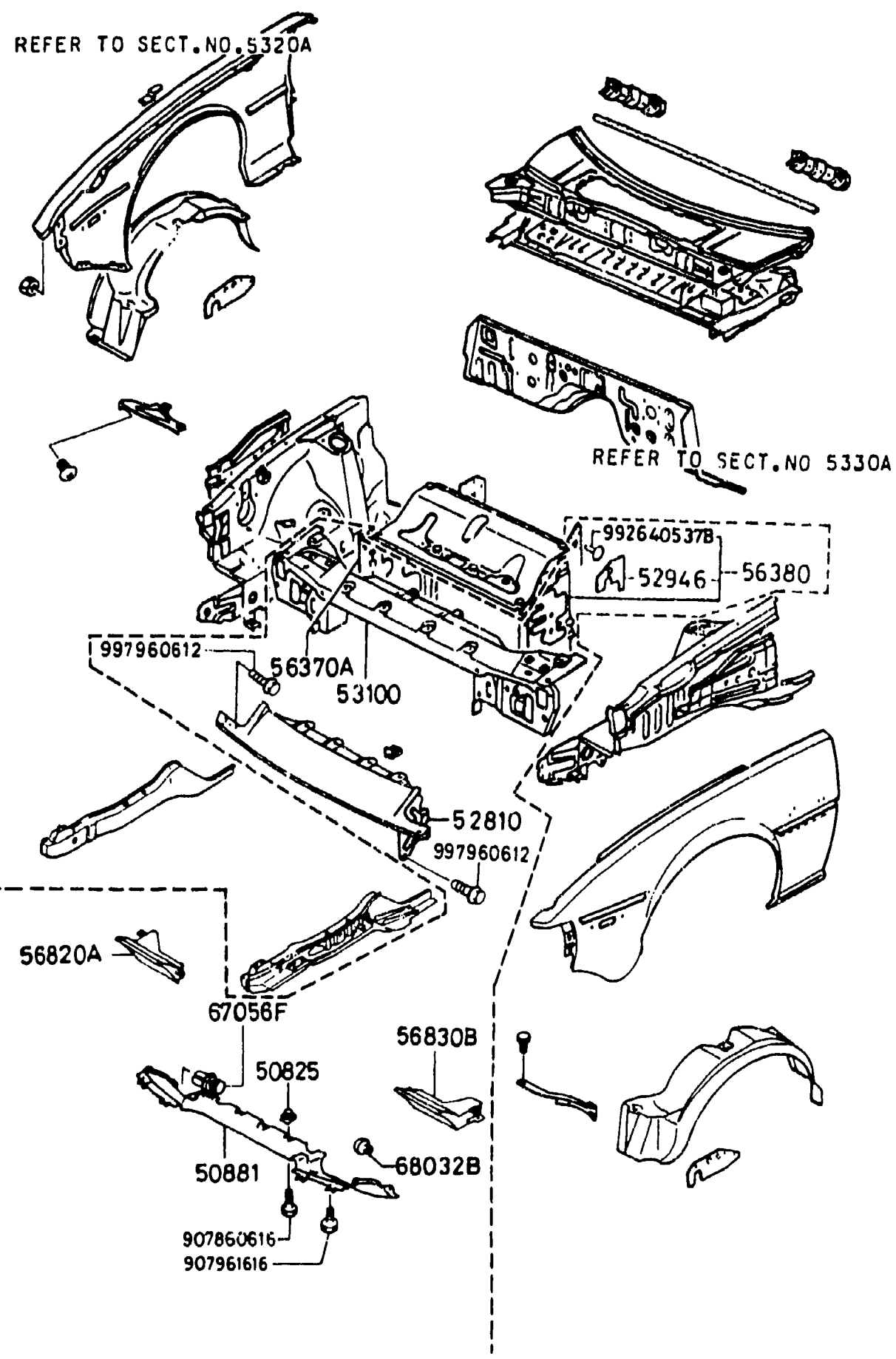
5230A-1 HOOD



ITEM NO.	D-CODE	DESCRIPTION	PART NO.	QTY	MODEL/DESCRIPTION	REMARKS
52 302		CLAMP, RELEASE WIRE	0223-52-302	1		
52 310		HOOD	8871-74-250	1		
52 397		RUBBER, CUSHION	8173-52-231	2		
52 410A		HINGE, HOOD	8871-52-410	2		
52 510		STAY, HOOD	8871-52-511B	1		
52 518		HOLDER, HOOD STAY	8871-52-518	1		
52 672		SPRING, RETURN	1011-56-672A	1		
52 863		SPRING, RETURN	0305-52-863B	1		
53 771		RUBBER, CUSHION	8545-56-801A	2		
56 620		LOCK, HOOD	1708-56-620D	1		
56 710		WIRE, RELEASE-HOOD	8871-56-710A	1		
56 785		CUSHION	8871-56-785	1		
56 787		WEATHERSTRIP, HOOD	8871-56-787A	1		

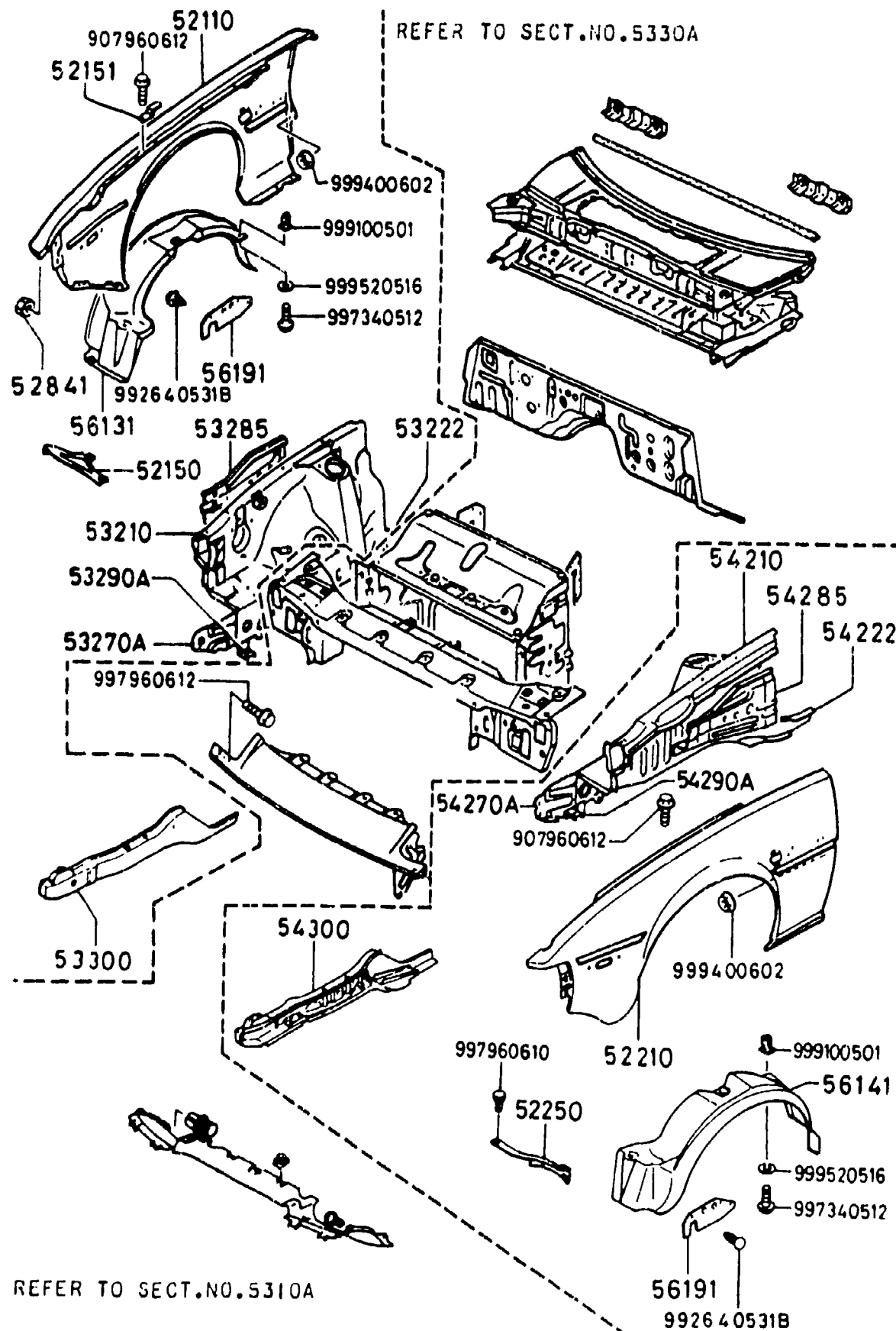
5310A-1 BODY PANELS (FRONT)

REFER TO SECT.NO.5320A



ITEM NO	D-CODE	DESCRIPTION	PART NO.	QTY	MODEL/DESCRIPTION	REMARKS
	50 825	NUT, CLIP	8871-50-825	4	THRU FEB. '85 PROD.	FB33* ..800001-889473
			FA01-50-054	4	FROM MAR. '85 PROD.	FB33* ..889474-
50 881		SPOILER, FRONT	FA54-51-980	1		
52 810		PANEL, NOSE	8871-52-810G	1		
52 946		PLATE (L), SEAL	FA66-56-366	1	13B (GSI-SE) FROM JUL. '84 PROD.	FB33* ..843885-
53 100		PANEL, RAD. SHROUD	FA54-53-100	1		
56 370A		PANEL (R), SIDE	FA54-56-370	1	12A (S, GS, GSI)	
			FA66-56-370	1	13B (GSI-SE)	
56 380		PANEL (L), SIDE	FA54-56-380A	1	12A (S, GS, GSI)	
			FA66-56-380	1	13B (GSI-SE) FROM JUL. '84 PROD.	FB33* ..843885-
56 820A		DUCT (R), AIR	FA72-56-820C	1		
56 830B		DUCT (L), AIR	FA72-56-830C	1		
67 056F		RIVET	W023-67-056	2		
68 032B		FASTENER BLACK	8001-68-032	2		
			00			

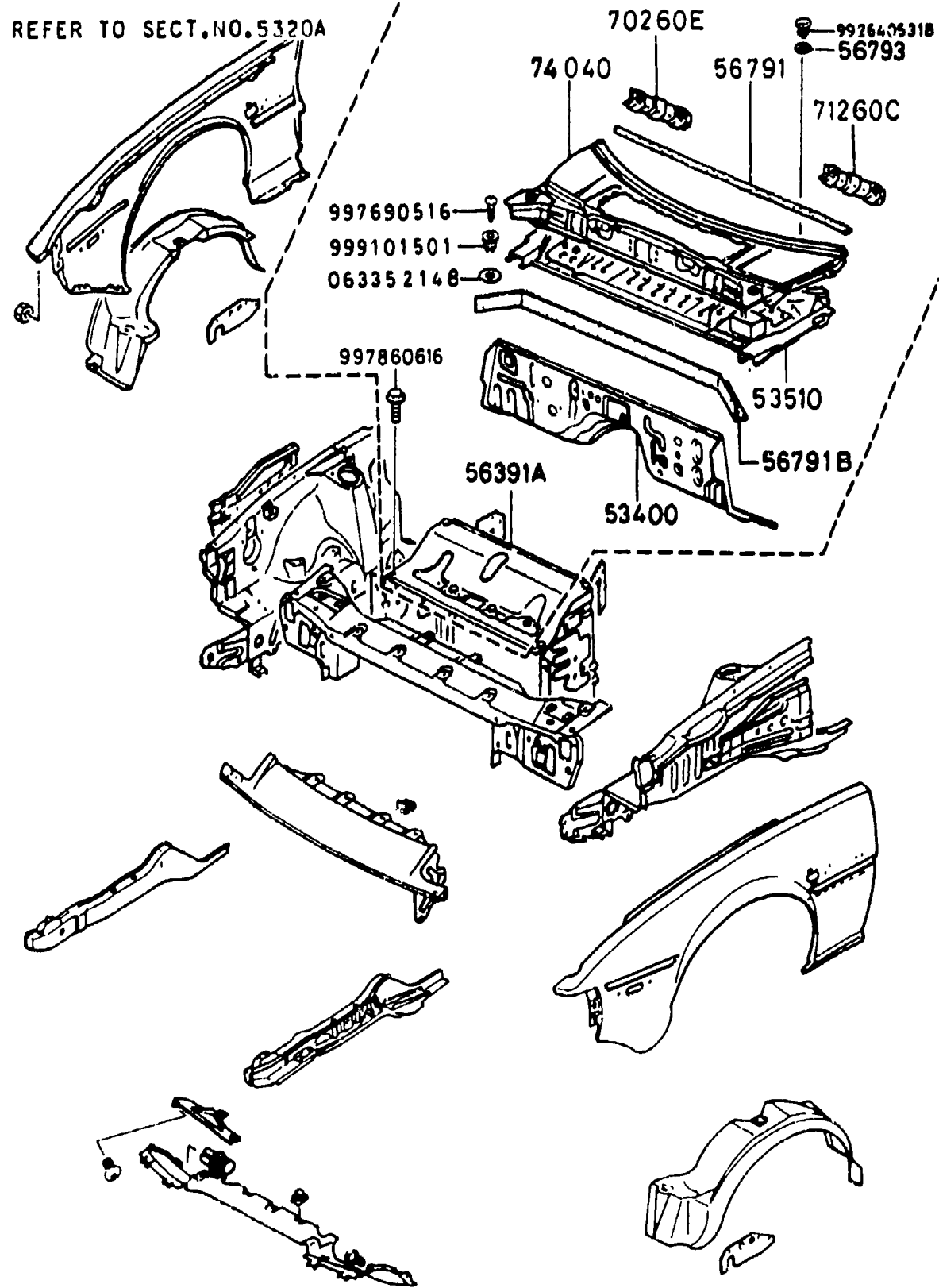
**5320A-1 BODY PANELS
(FENDER & WHEEL APRON)**



ITEM NO.	D-CODE	DESCRIPTION	PART NO.	QTY	MODEL/DESCRIPTION	REMARKS
52 110		PANEL (R), FENDER-FRT.	FA01-52-111D	1		
52 150		STAY (R), FENDER	FA72-52-130A	1		
52 151		PLATE, SET-FENDER	8871-52-151	1		
52 210		PANEL (L), FENDER-FRT.	FA01-52-211D	1		
52 250		STAY (L), FENDER	FA72-52-230A	1		
52 841		NUT, CLIP-FRT. FENDER	8545-52-841	2		
53 210		PANEL (R), WHEEL APRON	FA54-53-210D	1		
53 222		PLATE (RR., R), CLOSING	8871-53-240A	1		
53 270A		PLATE (R), CLOSING	FA01-53-270A	1		
53 285		REINFORCEMENT (R), WHL. APRON	8871-53-285C	1		
53 290A		BRACKET (R), FENDER	FA01-53-290	1		
53 300		FRAME (R), SIDE-FRONT	FA54-53-310B	1		
54 210		PANEL (L), WHEEL APRON	FA54-54-210C	1		
54 222		PLATE (RR., L), CLOSING	8871-54-240A	1		
54 270A		PLATE (L), CLOSING	FA01-54-270A	1		
54 285		REINFORCEMENT (L), WHL. APRON	8871-54-285C	1		
54 290A		BRACKET (L), FENDER	FA01-54-290	1		
54 300		FRAME (L), SIDE-FRONT	FA54-54-310C	1		
56 131		SHIELD (R), SPLASH	FA54-56-130	1		
56 141		SHIELD (L), SPLASH	FA54-56-140	1		
56 191		SHIELD, SPLASH	8871-56-191C	2		

**5330A-1 BODY PANELS
(DASH & COWL PANEL)**

REFER TO SECT.NO.5320A



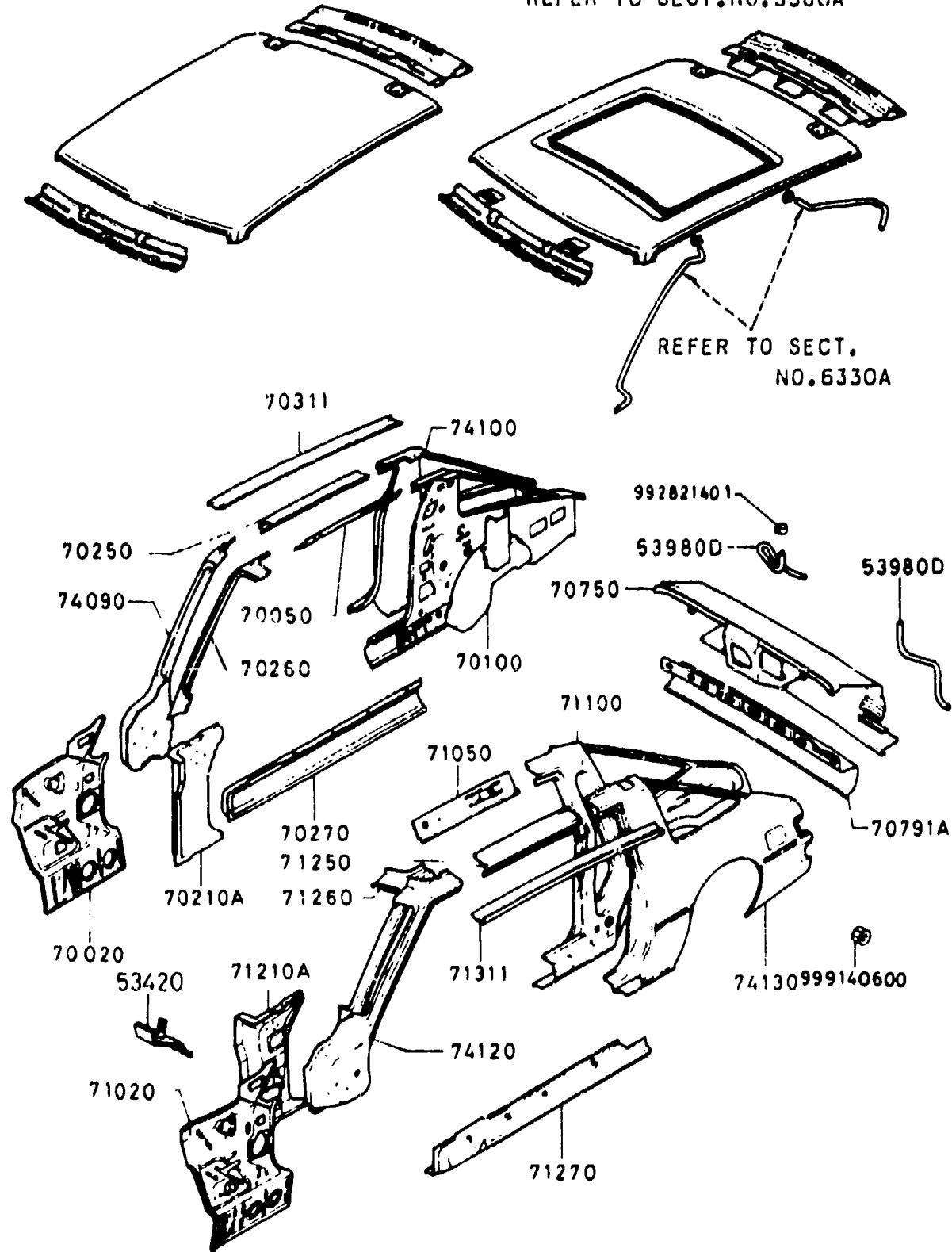
REFER TO SECT.NO.5310A

ITEM NO.	D-CODE	DESCRIPTION	PART NO.	QTY	MODEL/DESCRIPTION	REMARKS
53 400		PANEL, DASH-LOWER	FA54-53-400	1		
53 510		PANEL, DASH-UPPER	FA54-53-510D	1		
56 391A		PANEL, COWLING UP	FA54-56-391	1		
56 791		RUBBER, SEAL	FA54-56-791	1		
56 791B		RUBBER, SEAL	FA54-56-791	1		
56 793		GASKET	G030-56-793	4	THRU OCT. '83 PROD.	FB33* ..800001-805582
				2	FROM NOV. '83 PROD.	FB33* ..805883-
70 260E		BRACKET (R), INST.	8871 70-260	1		
71 260C		BRACKET (L), INST.	8871-71-260	1		
74 040		PANEL, COWL	FA01-74-040A	1		

5340A-1 BODY PANELS (SIDE)

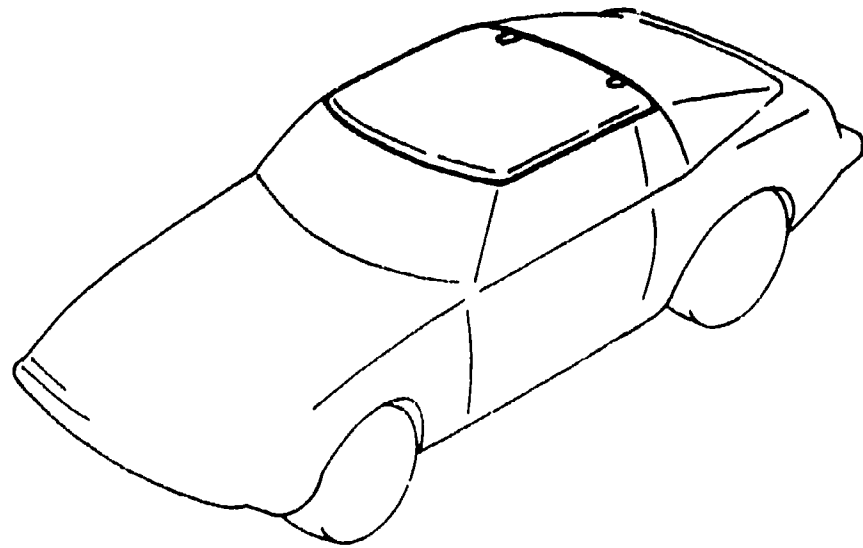
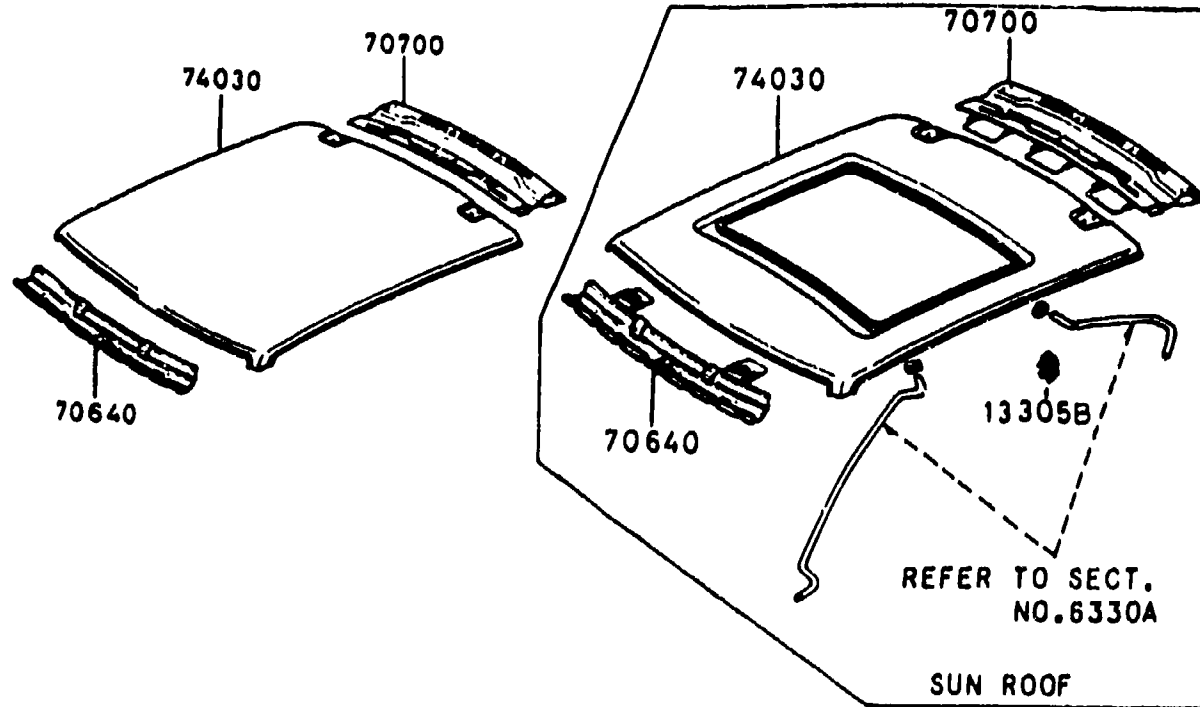
REFER TO SECT. NO. 5360A

REFER TO SECT. NO. 5360A



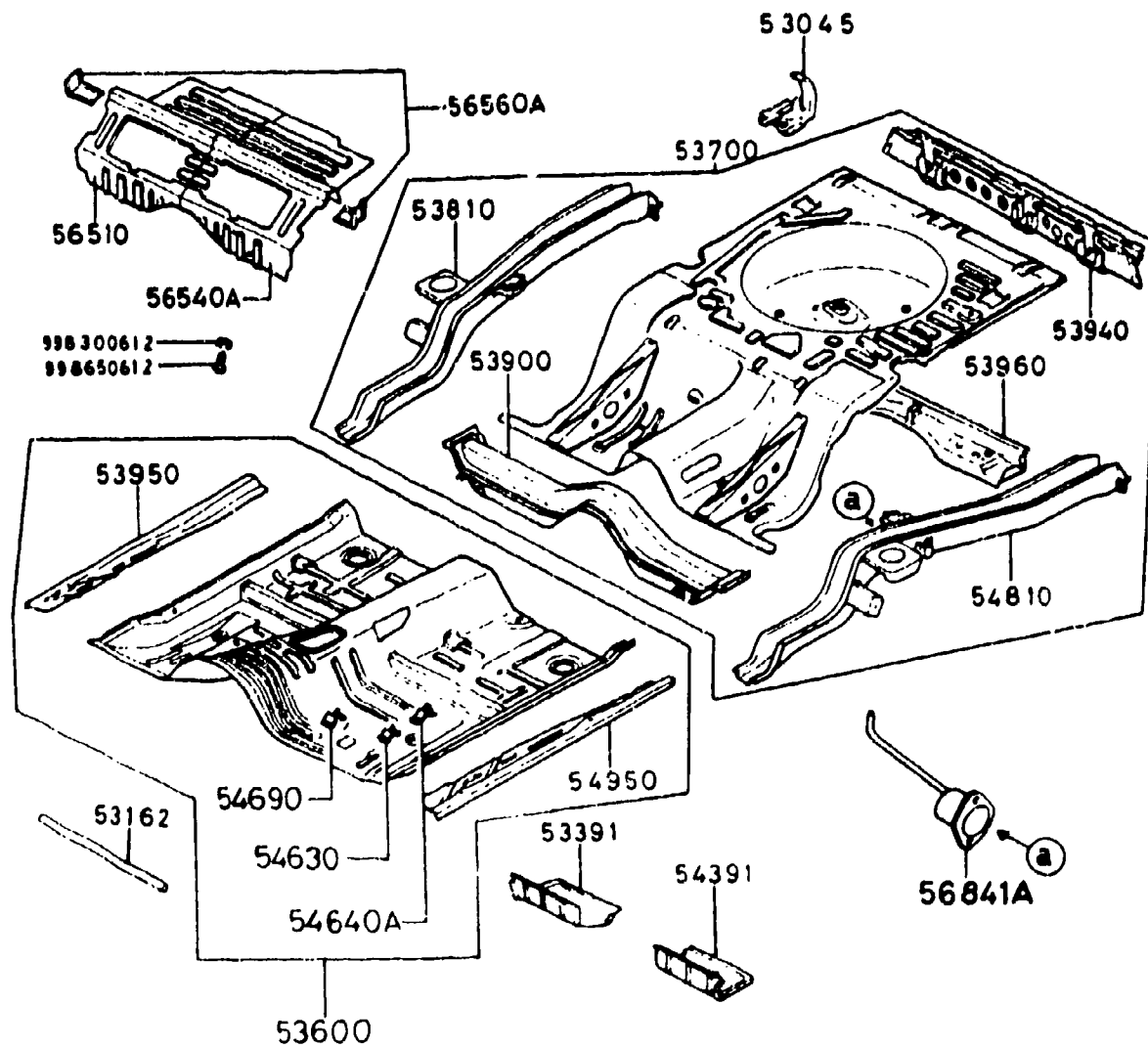
ITEM NO.	D-CODE	DESCRIPTION	PART NO.	QTY	MODEL/DESCRIPTION	REMARKS
53 420		BRACKET 'A', CONTROL UNIT	F023-53-420	1		
53 980D		HOSE, DRAIN-REAR	8871-56-751A	2		
70 020		PANEL (R), COWL SIDE	8871-70-020E	1		
70 050		RAIL (R), ROOF-INNER	8871-70-051D	1		
70 100		PANEL (R), QUARTER	FA54-70-100D	1		
70 210A		PILLAR (R), HINGE	FA54-70-210A	1		
70 250		RAIL (R), ROOF-OUTER	8871-70-251	1		
70 260		PILLAR (R), FRT.-INNER	8871-70-240C	1		
70 270		PANEL (R), SIDE SILL	8871-70-271B	1		
70 311		RAIL (R), RAIN	8871-70-311A	1		
70 750		PANEL, REAR END	FA54-70-750	1		
70 791A		PANEL, SKIRT-RR.	FA01-70-791	1		
71 020		PANEL (L), COWL SIDE	FA54-71-020A	1		
71 050		RAIL (L), ROOF-INNER	8871-71-051D	1		
71 100		PANEL (L), QUARTER	FA54-71-100E	1		
71 210A		PILLAR (L), HINGE	FA54-71-210B	1		
71 250		RAIL (L), ROOF-OUTER	8871-71-251	1		
71 260		PILLAR (L), FRT.-INNER	8871-71-240C	1		
71 270		PANEL (L), SIDE SILL	8871-71-271B	1		
71 311		RAIL (L), RAIN	8871-71-311A	1		
74 090		PILLAR (R), HINGE-OUT	8871-70-220C	1		
74 100		PANEL (R), FENDER-REAR	FA01-70-400A	1		
74 120		PILLAR (L), HINGE-OUT	8871-71-220C	1		
74 130		PANEL (L), FENDER-REAR	FA42-71-400B	1		

5360A-1 BODY PANELS (ROOF)



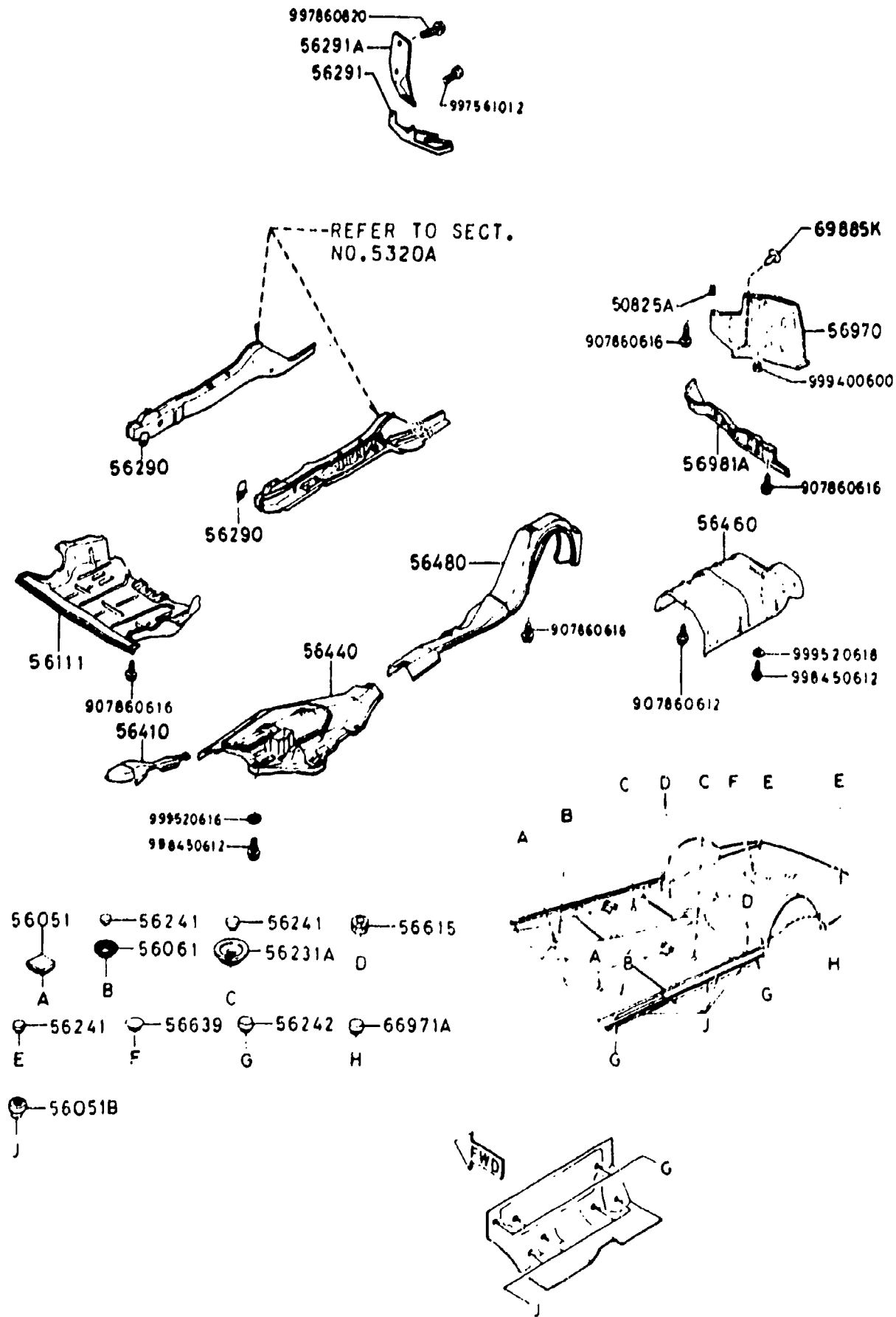
ITEM NO.	D-CODE	DESCRIPTION	PART NO.	QTY	MODEL/DESCRIPTION	REMARKS
	13 305B	CLIP, DRAIN HOSE	8871-13-305	2		
	70 640	HEADER, FRONT	8871-70-640A 8973-70-640A	1	NOR. ROOF (S, GS) SUN ROOF (GSL, GSL-SE) (OPT. GS)	
	70 700	HEADER, REAR	FA01-70-700A FA04-70-700A	1	NOR. ROOF (S, GS) SUN ROOF (GSL, GSL-SE) (OPT. GS)	
	74 030	PANEL, ROOF	1492-74-030 8871-74-030	1	SUN ROOF (GSL, GSL-SE) (OPT. GS) NOR. ROOF (S, GS)	

5370A-1 BODY PANELS (FLOOR)



ITEM NO.	D-CODE	DESCRIPTION	PART N°	QTY	MODEL/DESCRIPTION	REMARKS
53 045		BRACKET, JACK	8871-53-050A	1		
53 162		MEMBER, CROSS	8871-53-161	1		
53 391		BOX (R), TORQUE	FA01-53-391B	1		
53 600		PAN, FLOOR-FRONT	FA54-53-600J	1	12A M/T (S, GS, GSU)	
			FA55-53-600F	1	A/T	
			FA66-53-600C	1	13B M/T (GSL-SE)	
53 700		PAN, FLOOR-REAR	FA54-53-700	1		
53 810		FRAME (R), REAR SIDE	FA54-53-810	1		
53 900		MEMBER NO. 3, CROSS	FA54-53-900	1		
53 940		MEMBER NO. 4, CROSS	FA54-53-940	1		
53 950		PANEL (R), SIDE SILL	8871-53-951B	1		
53 960		MEMBER NO. 5, CROSS	FA54-53-930A	1		
54 391		BOX (L), TORQUE	8871-54-391C	1		
54 630		BRACKET 'B', CONTROL UNIT	F023-54-630C	1		
54 640A		BRACKET 'C', CONTROL UNIT	F023-54-640	2		
54 690		BRACKET 'D', CONTROL UNIT	F023-54-690B	1		
54 810		FRAME (L), REAR SIDE	FA54-54-810A	1		
54 950		PANEL (L), SIDE SEAL	8871-54-951A	1		
56 510		DECK (R), FLOOR	FA54-56-510B	1		
56 540A		DECK (L), FLOOR	FA54-56-541B	1		
56 560A		BRACKET, DECK	8871-56-560A	2		
56 841A		CHAMBER, DRAIN HOSE	FA54-56-841	1		

5390A-1 FLOOR ATTACHMENTS

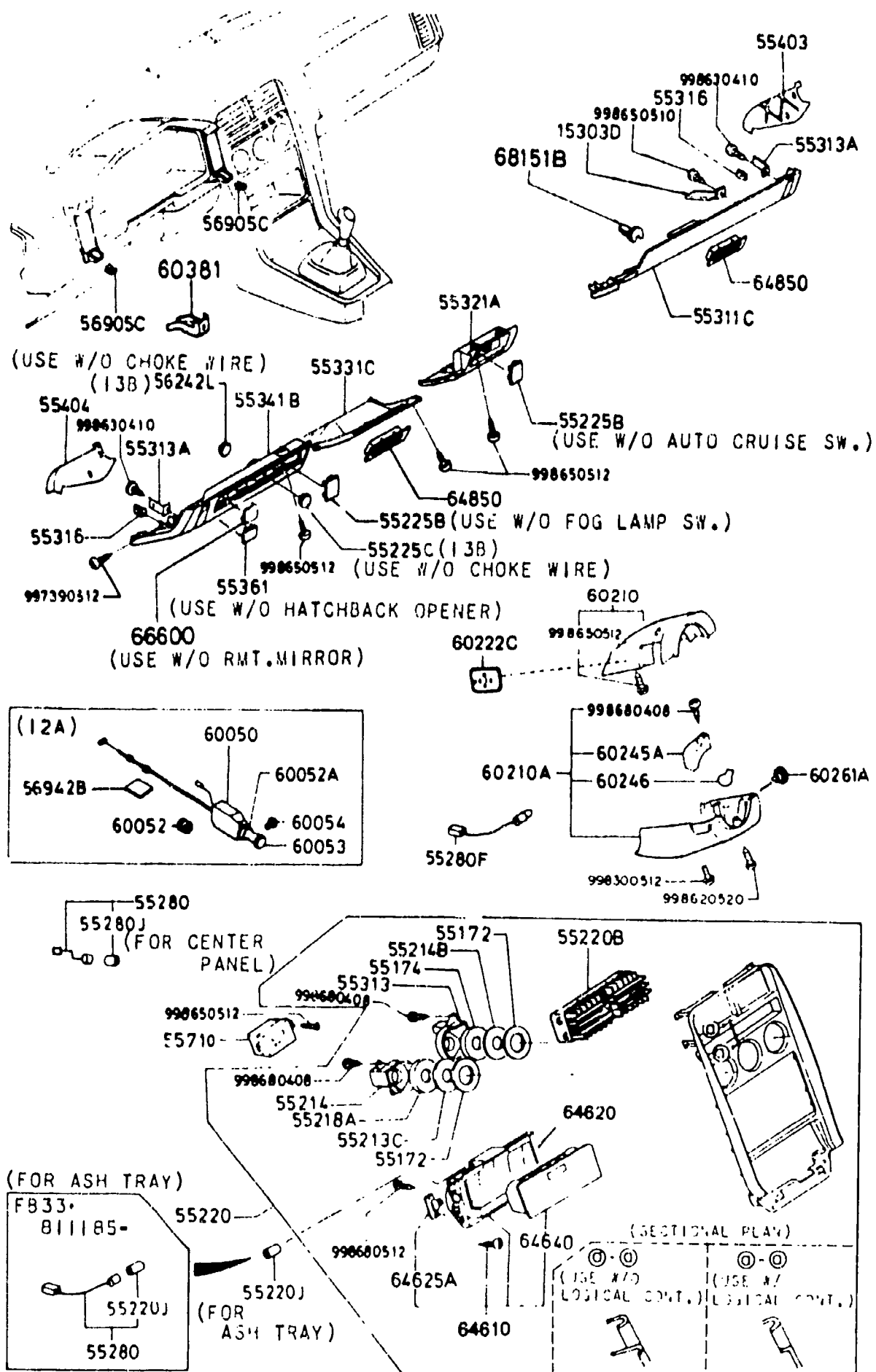


ITEM NO	D-CODE	DESCRIPTION	PART NO	QTY	MODEL/DESCRIPTION	REMARKS
50 825A		NUT, CLIP-PROTECTOR	8871-50-825	1	THRU FEB. '85 PROD.	FB33* ..800001-889473
			FA01-50-054	1	FROM MARCH '85 PROD.	FB33* 889474-
56 051		COVER, HOLE	1011-56-051	2		
56 051B		COVER, HOLE	8001-56-051	10		
56 061		COVER, SERVICE HOLE	0866-56-971	2		
56 111		COVER, UNDER	FA54-56-111C	1		
56 231A		COVER, SERVICE HOLE	8545-56-053	2		
56 241		PLUG, DRAIN	0118-56-241	8		
56 242		PLUG, DRAIN	0118-56-242B	3		
56 290		HOOK (R), FRONT	FA01-53-170B	1		
		HOOK (L), FRONT	FA01-54-170B	1		
56 291		HOOK, REAR	8871-56-271E	1		
56 291A		HOOK, TIE DOWN	8871-56-281D	1		
56 410		INSULATOR, HEAT-FRONT	FA55-56-431B	1		
56 440		INSULATOR NO 2, FRONT	FA54-56-440D	1	M/T THRU OCT. '83 PROD.	FB33* ..800001-806987
			FA54-56-440E	1	M/T FROM NOV. '83 PROD.	FB33* ..806988-
			FA55-56-440F	1	A T	
56 460		INSULATOR NO 4, REAR	FA54-56-420B	1		
56 480		INSULATOR NO 1, REAR	FA55-56-410A	1		
56 615		PLUG, DRAIN	0222-61-622	3		
56 639		COVER, SERVICE HOLE	0810-56-639	3		
56 970		PROTECTOR, FUEL TANK	8871-56-970D	1		
56 981A		INSULATOR	8871-56-981C	1		
56 991D		INSULATOR	8871-56-990A	1		
66 971A		RUBBER, SEAL	0222-66-971	2		
69 885K		FASTENER, PROTECTOR	0866-69-885A	1		
		BLACK	00			
		RED	11			
		OFF-BLACK	65			
		BROWN	78			

SECTION INDEX -- BODY

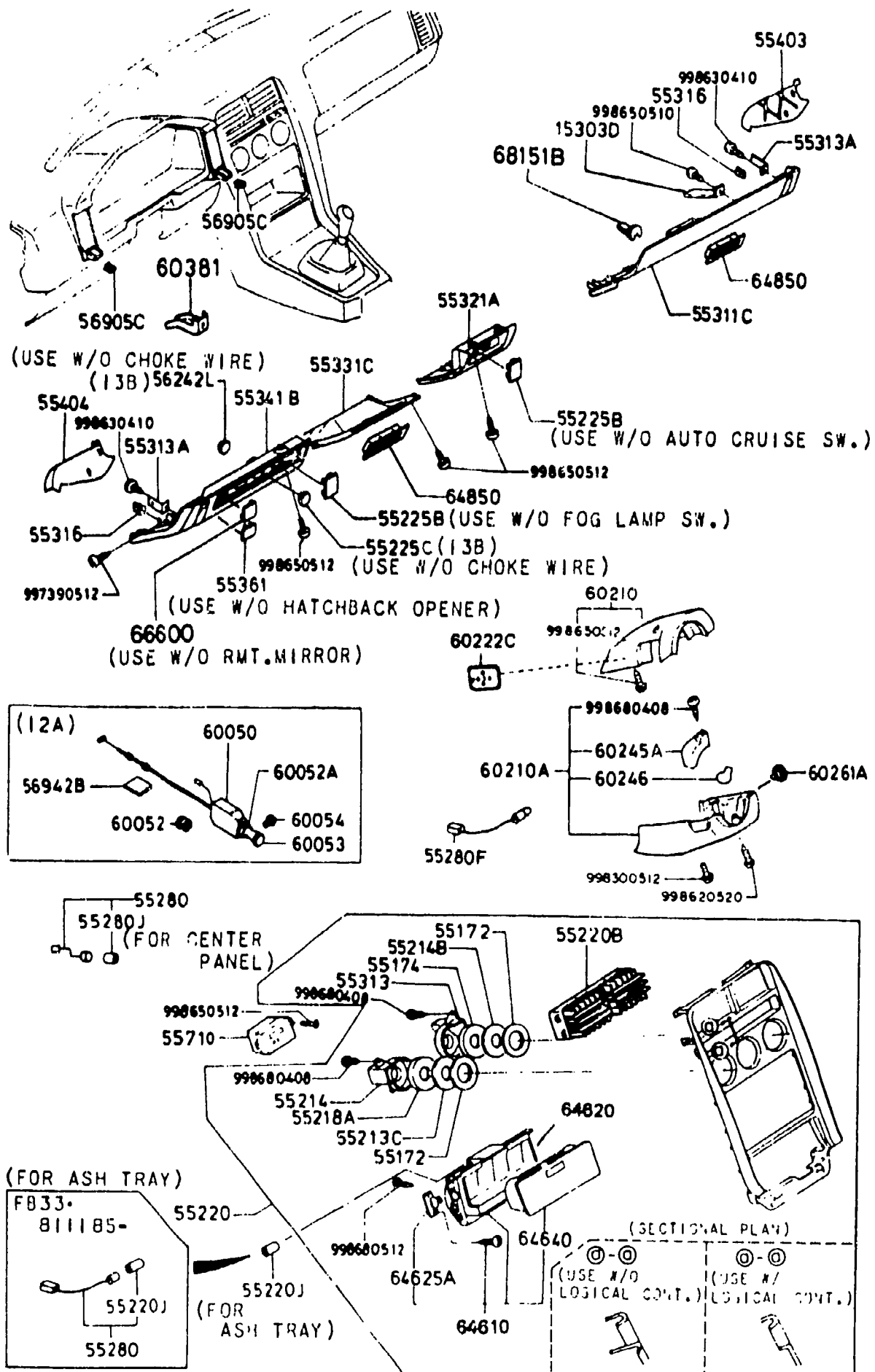
STARTING LOCATION	SECT. NO.	SECTION NAME	STARTING LOCATION	SECT. NO.	SECTION NAME	STARTING LOCATION	SECT. NO.	SECTION NAME
2 - C 3	0900A	KEY SETS	2 - C 7	5840A	FRONT DOOR TRIM & RELATED PARTS	2 - G 10	6702A	WIRE HARNESS (DASHBOARD)
2 - D 3	5000A	FRONT BUMPER	2 - H 7	6100A	HEATER	2 - H 10	6703A	WIRE HARNESS (DOOR, FLOOR CEILING)
2 - E 3	5005A	RADIATOR GRILLE	2 - I 7	6110A	HEATER UNIT COMPONENTS	2 - I 10	6704A	WIRE HARNESS CLAMPS
2 - F 3	5010A	REAR BUMPER	2 - J 7	6115A	HEATER CONTROLS COMPONENTS	2 - J 10	6720A	WINDSHIELD WASHER
2 - G 3	5030A	WINDOW MOULDINGS	2 - K 7	6120A	HEATER BLOWER COMPONENTS	2 - K 10	6730A	WINDSHIELD WIPER
2 - H 3	5040A	BODY MOULDINGS	2 - L 7	6125B	AIR CONDITIONER	2 - L 10	6740A	WIPER MOTOR COMPONENTS (FRONT)
2 - I 3	5060A	SIDE PROTECTORS	2 - M 7	6130B	AIR CONDITIONER (NIPPONDENSO)	2 - M 10	6750A	WINDOW WIPER & WASHER (REAR) (GSL, GSL-SE)
2 - J 3	5100A	HEAD LAMPS	2 - C 8	6132B	AIR CONDITIONER (WYNN'S)	2 - N 10	6760A	WINDOW WIPER MOTOR COMPONENTS (REAR) (GSL, GSL-SE)
2 - K 3	5103A	HEAD LAMP RETRACTOR	2 - D 8	6140B	A C COMPRESSOR BRACKETS (NIPPONDENSO)	2 - C 11	6800A	CEILING TRIM
2 - L 3	5105A	FRONT COMBINATION LAMPS	2 - F 8	6142B	A C COMPRESSOR COMPONENTS (WYNN'S)	2 - D 11	6820A	PILLAR TRIM
2 - M 3	5110A	REAR COMBINATION LAMPS	2 - H 8	6145B	A C COMPRESSOR COMPONENTS (NIPPONDENSO)	2 - F 11	6840A	TRIM & SCUFF PLATE
2 - N 3	5120A	LICENSE LAMPS	2 - J 8	6150B	COOLING UNIT (NIPPONDENSO)	2 - I 11	6860A	FLOOR MATS & PADS
2 - C 4	5125A	INTERIOR LAMPS	2 - L 8	6152B	COOLING UNIT (WYNN'S)	2 - J 11	6870A	SERVICE TOOLS
2 - D 4	5170A	ORNAMENTS	2 - M 8	6230A	BACK DOOR MECHANISM	2 - K 11	6900A	VISOR, ASSIST HANDLE & MIRRORS
2 - E 4	5180A	COWL & EXTRACTOR GRILLES	2 - N 8	6300A	WINDOW GLASSES	2 - N 11	6920A	CAUTION PLATES & LABEL
2 - F 4	5230A	HOOD	2 - C 9	6330A	SUNROOF (GSL, GSL-SE)			
2 - G 4	5310A	BODY PANELS (FRONT)	2 - D 9	6600A	SWITCH & RELAY (ENGINE)			
2 - H 4	5320A	BODY PANELS (FENDER & WHEEL APRON)	2 - F 9	6610A	DASHBOARD SWITCHES (MANUAL OPERATING)			
2 - I 4	5330A	BODY PANELS (DASH & COWL PANEL)	2 - G 9	6611A	COMBINATION SWITCH			
2 - J 4	5340A	BODY PANELS (SIDE)	2 - H 9	6612A	CLUSTER SWITCH (RIGHT SIDE)			
2 - K 4	5360A	BODY PANELS (ROOF)	2 - I 9	6613A	CLUSTER SWITCH (LEFT SIDE)			
2 - L 4	5370A	BODY PANELS (FLOOR)	2 - J 9	6615A	POWER WINDOW SWITCH			
2 - M 4	5390A	FLOOR ATTACHMENTS	2 - K 9	6620A	DOOR, PARKING LAMP & KICKDOWN SWITCHES			
2 - C 5	5500A	DASHBOARD EQUIPMENT	2 - L 9	6630A	RELAY & CPU (BODY)			
2 - F 5	5520A	METER HOOD	2 - M 9	6635A	HORN			
2 - G 5	5530A	SPEEDOMETER CABLE	2 - N 9	6640A	AUTO CRUISE CONTROLS			
2 - H 5	5540A	METERS	2 - C 10	6680A	AUDIO SYSTEMS (RADIO & TAPE DECK)			
2 - I 5	5550A	CLUSTER SWITCH COVER	2 - D 10	6682A	AUDIO SYSTEMS (ANTENNA & SPEAKER)			
2 - J 5	5560A	DASHBOARD & RELATED	2 - E 10	6700A	WIRE HARNESS (FRONT & REAR)			
2 - L 5	5570A	CONSOLE	2 - F 10	6701A	WIRE HARNESS (ENGINE & TRANSMISSION)			
2 - N 5	5580A	VENTILATOR						
2 - C 6	5700A	FRONT SEAT						
2 - H 6	5790A	SEAT BELTS						
2 - I 6	5800A	FRONT DOOR						
2 - J 6	5830A	FRONT DOOR MECHANISMS						

5500A-1 DASHBOARD EQUIPMENT



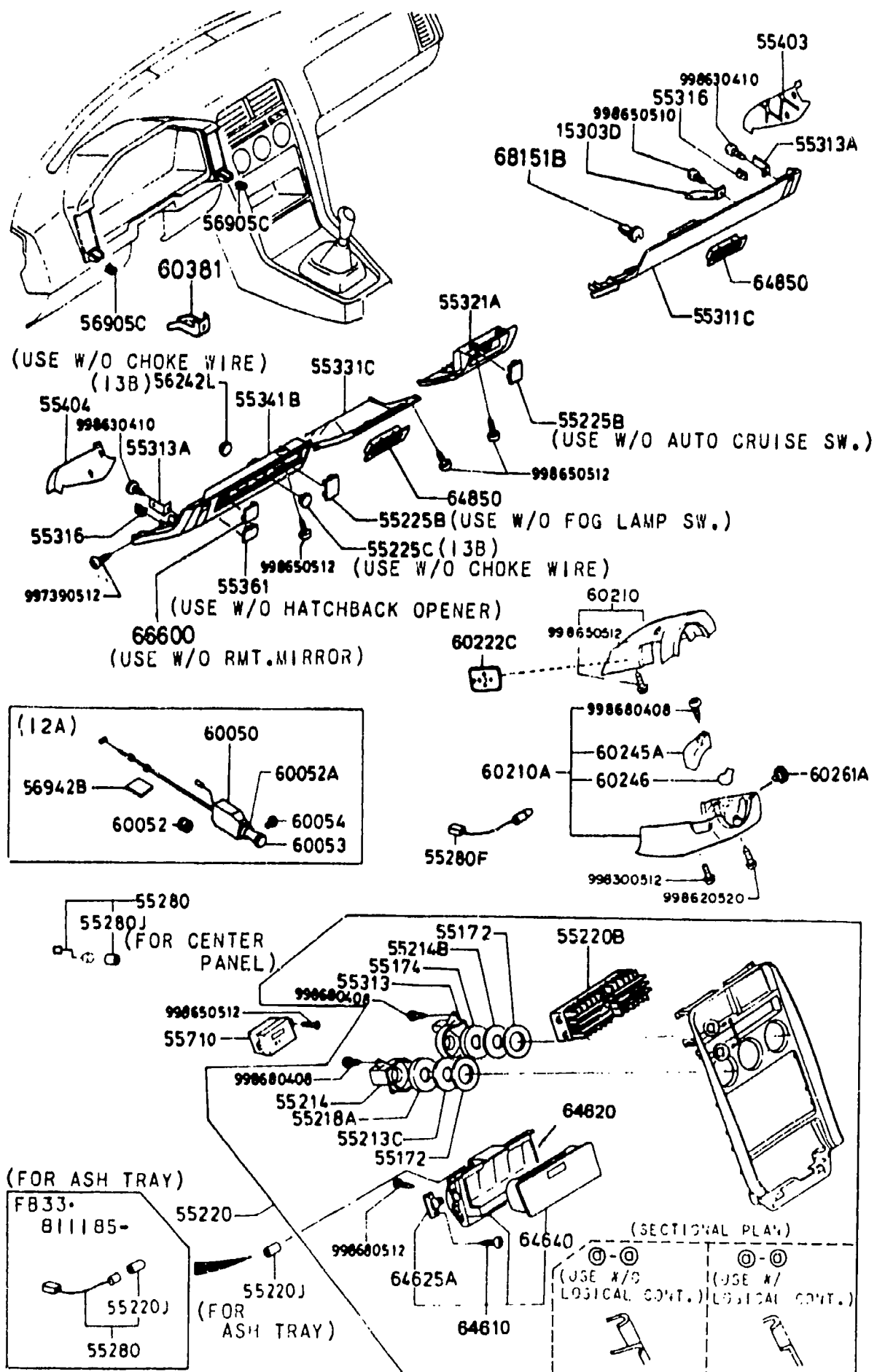
ITEM NO	D-CODE	DESCRIPTION	PART NO.	QTY	MODEL/DESCRIPTION	REMARKS
	15 303D	CLIP	2667-15-303A	5		
	55 172	LENS	FA54-55-212	2		
	55 174	LENS	FA54-55-215	1		
	55 213C	PANEL NO. 1, DECO.	FA54-55-213	1		
	55 214	PLATE, RETAINER	FA54-55-216	1		
	55 214B	PANEL NO. 2, DECO.	FA54-54-214	1		
	55 218A	LENS	FA54-55-218	1		
	55 220	PANEL, CENTER	FA55-55-210B	1	S, GS	
		SILVER METALLIC	07			
		SILVER METALLIC	FA57-55-210B	1	GSL-SE	
		SILVER METALLIC	07			
	55 220B	LOUVER, CENTER PANEL	FA54-64-71X	2	FROM NOV. '84 PROD.	FB33* ..871511-
	55 220J	BULB	0000-11-0194	1	(3.4W)	
	55 225B	COVER, HOLE	B001-55-225A	2	(USE W/O AUTO. CRUISE SW.) (USE W/O FOG. LAMP SW.)	
	55 225C	COVER, HOLE-SW. PANEL	G030-55-225	1	13B (USE W/O CHOKE WIRE) (GSL-SE)	
		RED	10			
		OFF-BLACK	65			
		BROWN	78			
	55 280	BULB & SOCKET	FA54-55-280	1	(FOR ASH TRAY) FROM DEC. '83 PROD.	FB33* ..811185-
			8871-55-280	2	(FOR CENTER PANEL)	
	55 280F	BULB & SOCKET	G032-55-280A	1	GS, GSL, GSL-SE	
	55 280J	BULB	0000-11-0074	2	(1.4W)	
	55 311C	PANEL (L), LOWER	FA54-55-311	1		
		RED	11			
		OFF-BLACK	64			
		BROWN	79			
	55 313	PLATE, RETAINER	FA54-55-217	1		
	55 313A	BRACKET, LOWER PANEL	FA54-55-313	2		
	55 316	SPACER, SPRING	FA54-55-316	2		
	55 321A	PANEL (L), LWR.-NO. 1	FA54-55-321	1		
		RED	10			
		OFF-BLACK	65			
		BROWN	78			
	55 331C	PANEL (L), LWR.-NO. 2	FA54-55-331	1		
		RED	11			
		OFF-BLACK	64			
		BROWN	79			
	55 341B	PANEL (L), LWR.-NO. 3	FA54-55-341	1		

5500A-2 DASHBOARD EQUIPMENT



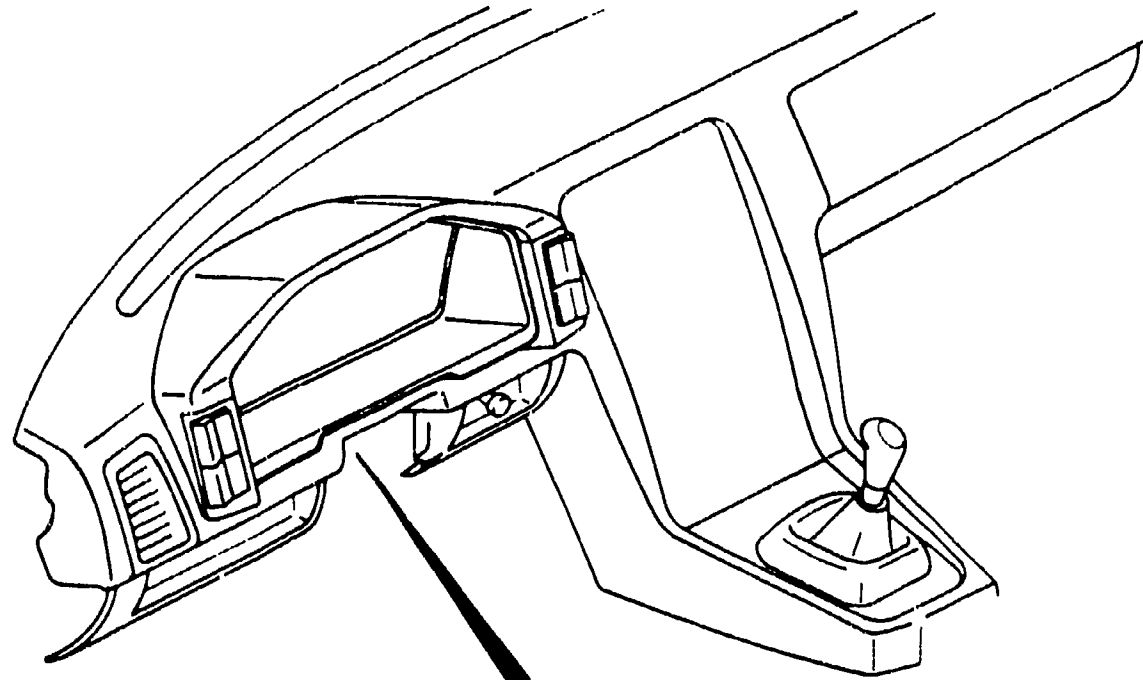
ITEM NO.	D-CODE	DESCRIPTION	PART NO.	QTY	MODEL/DESCRIPTION	REMARKS
	55 341B (CONT'D)	RED	11			
		OFF-BLACK	64			
		BROWN	79			
55 403		PANEL (R), SIDE	FA54-55-351	1		
		RED	11			
		OFF-BLACK	64			
		BROWN	79			
55 404		PANEL (L), SIDE	FA54-55-361	1		
		RED	11			
		OFF-BLACK	64			
		BROWN	79			
55 710		CLOCK, AUTO	FA54-55-710	1		
56 242L		PLUG, DRAIN	0222-66-971	1	13B(USE W/O CHOKE WIRE) (GSI-SE)	
56 905C		NUT, SPRING	8597-61-122	2		
56 942B		PAD, CHOKE WIRE	G001-67-061	1	12A (S. GS, GSI)	
60 050		WIRE, CHOKE	8871-60-050A	1	12A	
60 052		GROMMET, CHOKE WIRE	0305-60-052A	1	12A	
60 052A		NUT	1243-60-052	1	12A	
60 053		KNOB, CHOKE	3716-60-053A	1	12A	
60 054		SCREW, KNOB	8203-60-054	1	12A	
60 210		COVER, COLUMN-UPPER	FA54-60-221	1		
		RED	10			
		OFF-BLACK	65			
		BROWN	78			
60 210A		COVER, COLUMN-LOWER	FA54-60-230	1		
		RED	10			
		OFF-BLACK	65			
		BROWN	78			
60 222C		LABEL, INDICATOR	BA70-60-222	1		
60 245A		CASE, LAMP	FA54-60-245	1		
60 246		LENS, COLUMN COVER	FA54-60-246	1		
60 261A		HOLDER, KEY CYLINDER	G001-60-261	1		
60 381		BRACKET	FA54-60-369	1		
64 610		TRAY, ASH	FA54-64-610	1		
		SILVER METALLIC	07			
64 620		TRAY, ASH HOUSING	FA54-64-620	1		
64 625A		DAMPER	H001-64-625A	1		
64 640		TRAY, ASH-INNER	FA54-64-630	1		
		SILVER METALLIC	07			

5500A-3 DASHBOARD EQUIPMENT

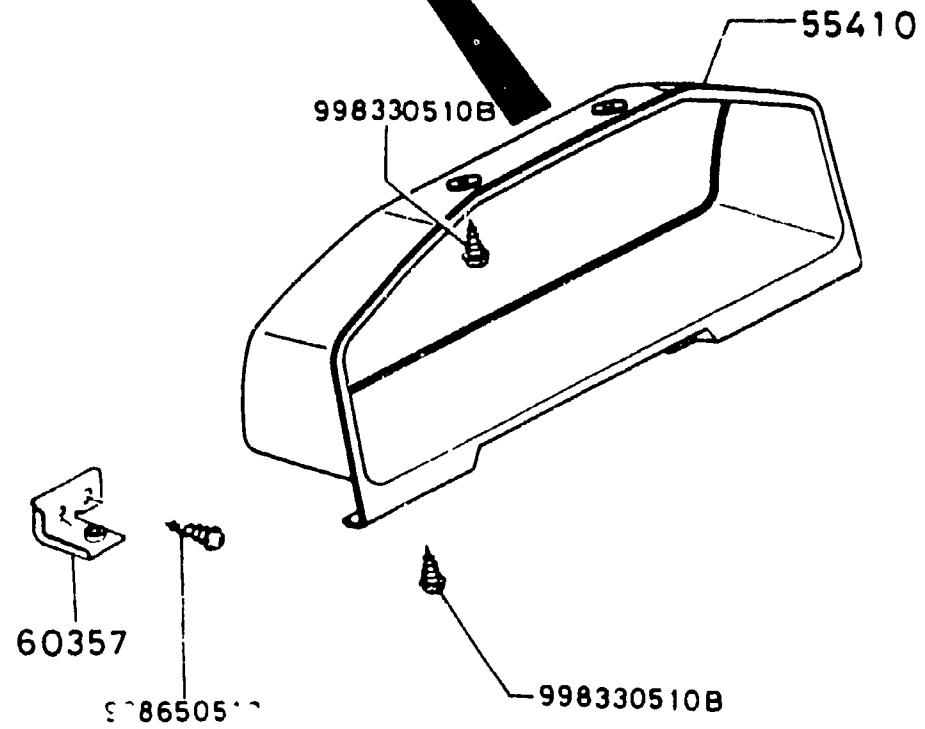


ITEM NO.	D-CODE	DESCRIPTION	PART NO.	QTY	MODEL/DESCRIPTION	REMARKS
	64 850	LOUVER	FA54-64-850A	2		
		RED	11			
		OFF-BLACK	64			
		BROWN	79			
	66 600	COVER, HOLE	FA01-55-225	1	S MODEL	
	68 151B	CLIP	G030-68-151	3		

5520A-1 METER HOOD



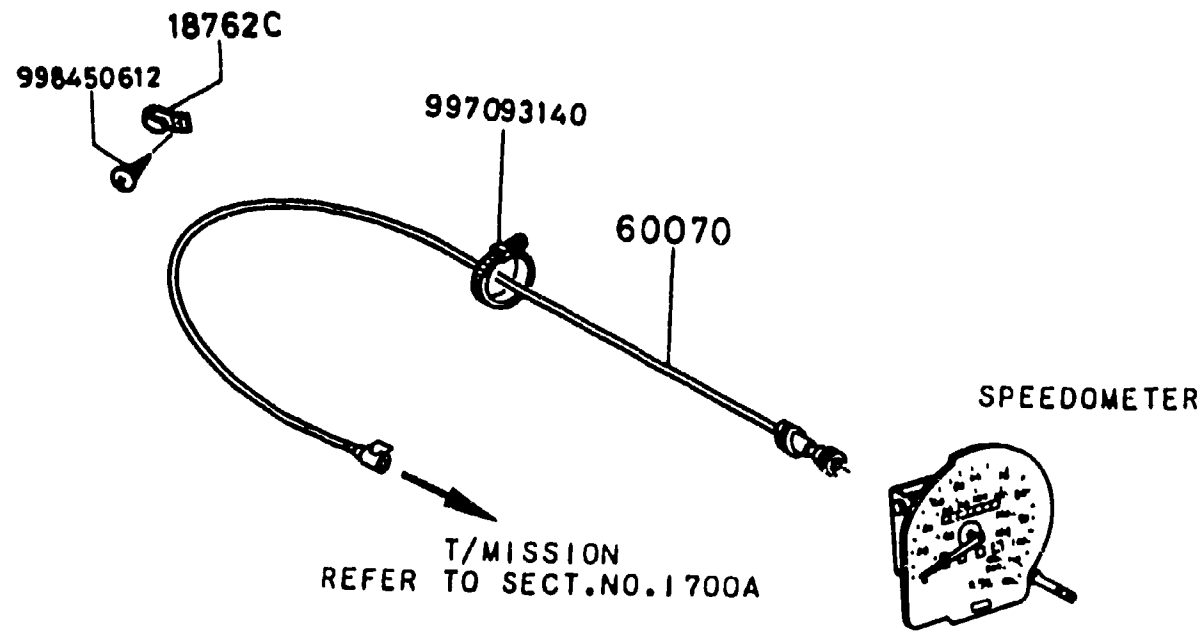
• SEE METERS IN 5540A



ITEM NO.	D-CODE	DESCRIPTION	PART NO.	QTY	MODEL/DESCRIPTION	REMARKS
	55 410	HOOD, METER	FA54-55-421	1		
	60 357	BRACKET NO. 2, HOOD	FA54-60-357	2		

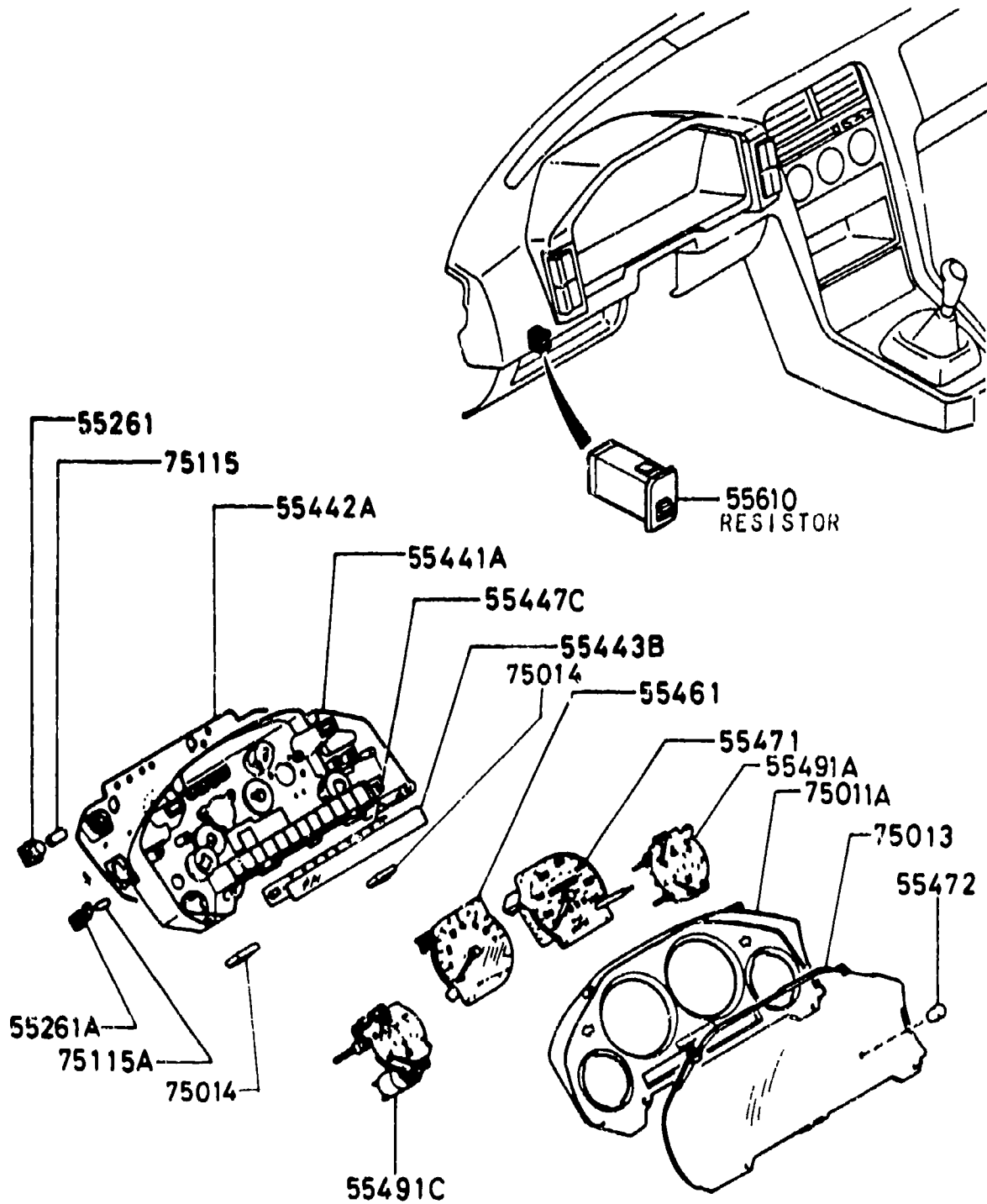
5530A-1 SPEEDOMETER CABLE

ITEM NO.	D-CODE	DESCRIPTION	PART NO.	QTY	MODEL/DESCRIPTION	REMARKS
	18 762C	CLIP	8173-18-762	1		
	60 070	CABLE, SPEEDOMETER	8871-60-070B	1	M/T	
			FA55-60-070B	1	A/T	



5540A-1 METERS

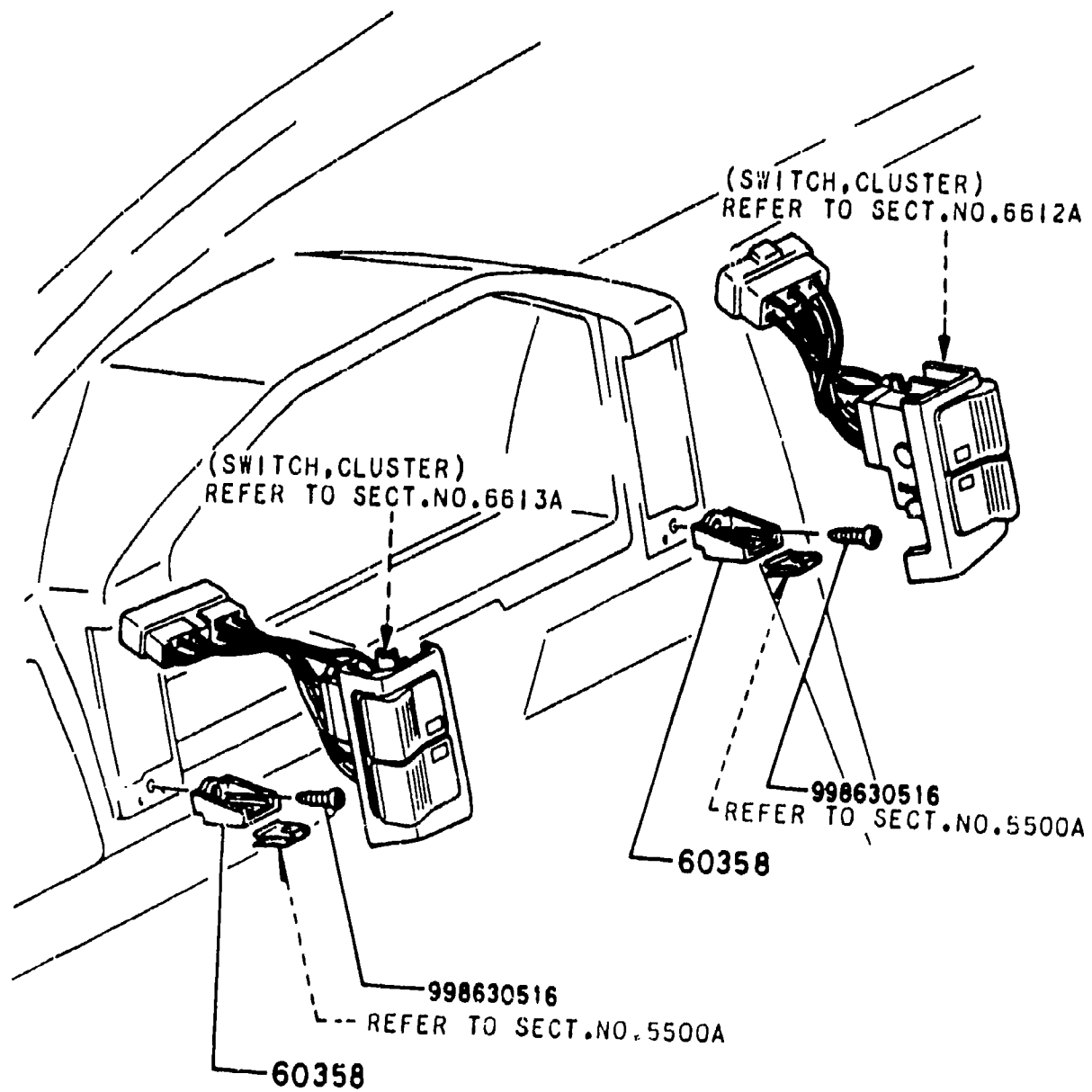
• SEE METER HOOD IN 5520A



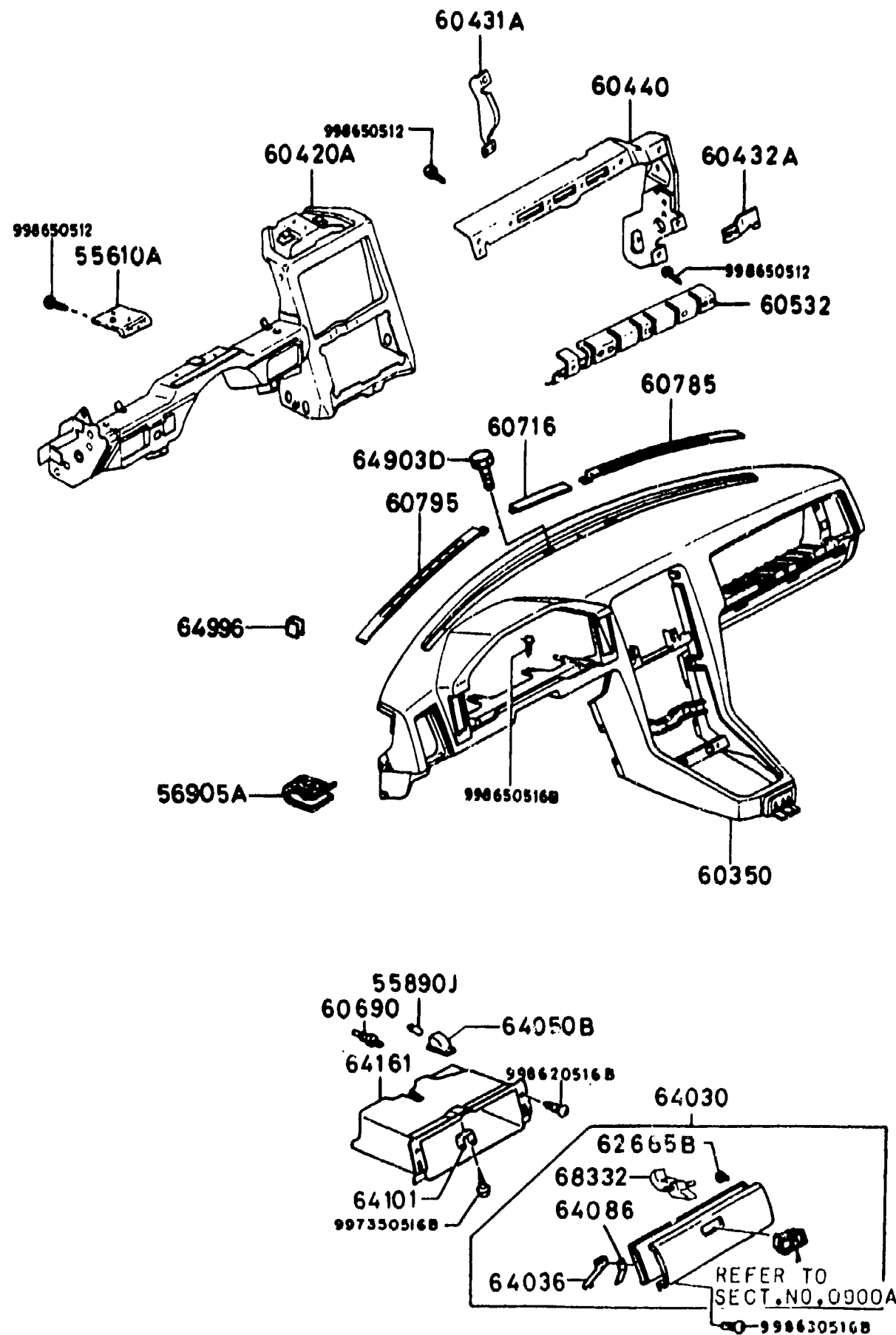
ITEM NO.	D-CODE	DESCRIPTION	PART NO.	QTY	MODEL/DESCRIPTION	REMARKS
55 261		SOCKET	1316-55-261	5		
55 261A		SOCKET	8548-55-261	12		
55 441A		CASE, METER	FA54-55-441	1		
55 442A		PLATE, PRINT	FA54-55-442	1		
55 443B		LENS, SMOKE	FA54-55-447	1		
55 447C		LENS, WARNING	FA54-55-444	1		
55 461		TACHOMETER	FA54-55-461	1		
55 471		SPEEDOMETER	FA54-55-471	1		
55 472		KNOB, TRIPMETER	1907-75-102A	1		
55 491A		GAUGE, FUEL & TEMPERATURE	FA54-55-481	1		
55 491C		GAUGE, OIL & VOLTAGE	FA54-55-491	1		
55 610		RESISTOR	FA54-55-490	1		
75 011A		PLATE, WINDOW	FA54-55-446	1		
75 013		GLASS, FRONT	FA54-55-448	1		
75 014		CAP	FA54-55-449	2		
75 115		BULB	0000-11-0194	5	(3.4W)	
75 115A		BULB	0000-11-0074	12	(1.4W)	

5550A-1 CLUSTER SWITCH COVER

ITEM NO.	D-CODE	DESCRIPTION	PART NO.	QTY	MODEL/DESCRIPTION	REMARKS
60 358		BRACKET, CLUSTER SWITCH	FA54-60-358	2		

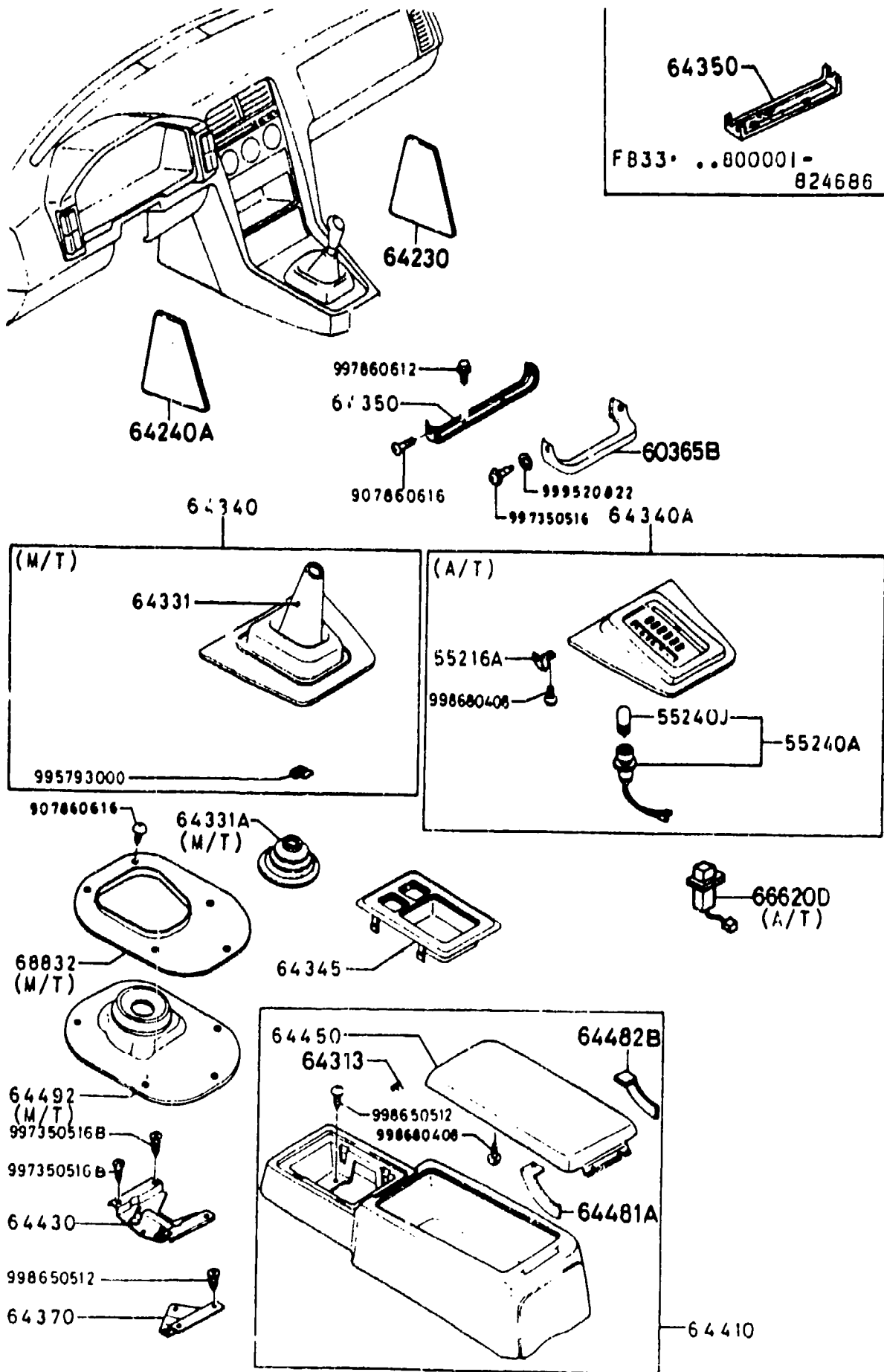


5560A-1 DASHBOARD & RELATED



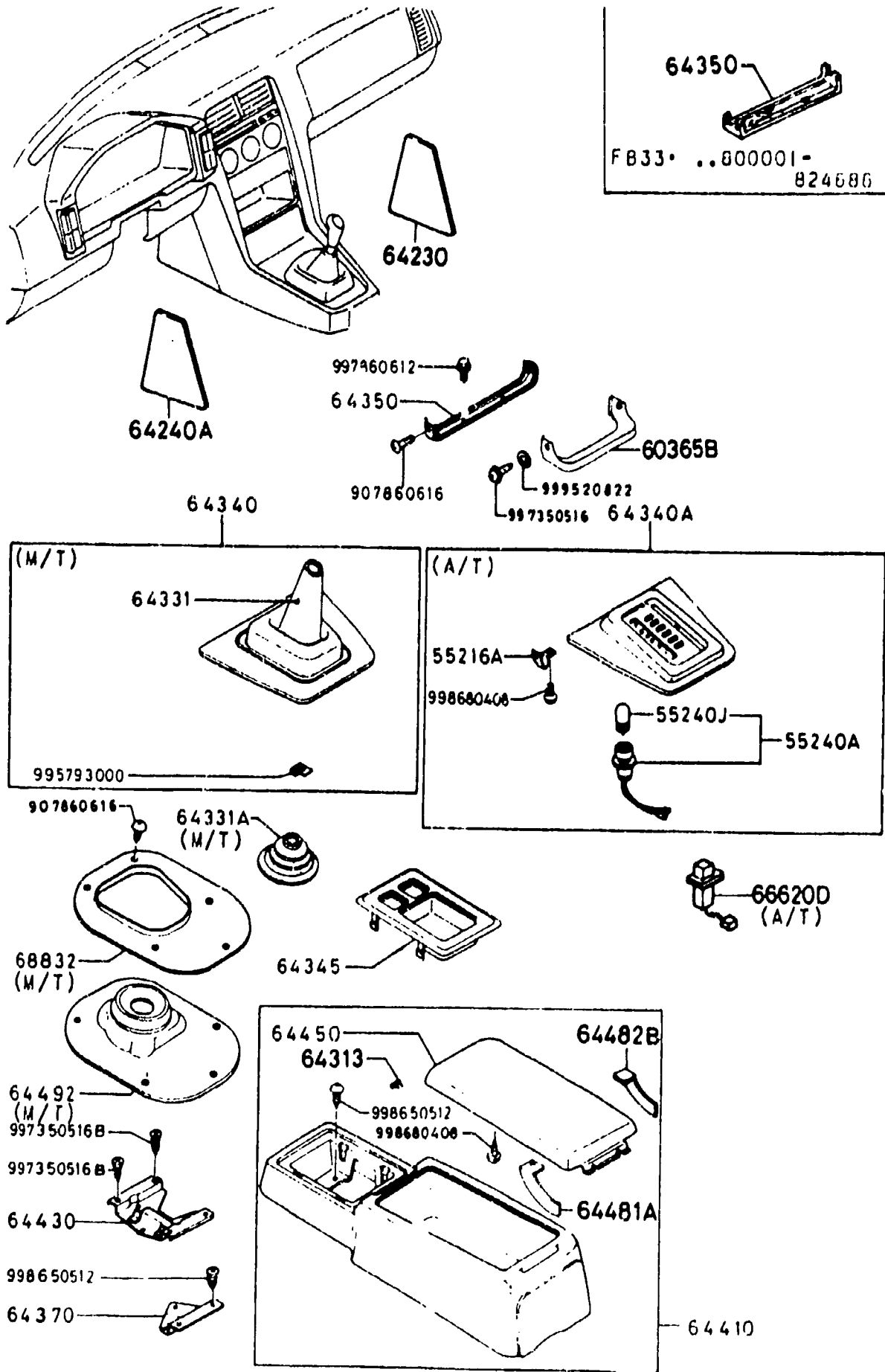
ITEM NO.	D-CODE	DESCRIPTION	PART NO	QTY	MODEL/DESCRIPTION	REMARKS
55 610A		BRACKET, FUSE BOX	FA54-60-481	1		
55 890J		BULB	0000-11-G194	1	(3.4W)	
56 905A		NUT, SPRING	8597-61-122	16		
60 350		PAD, CRUSH	FA54-60-350	1		
		RED	11			
		OFF-BLACK	64			
		BROWN	79			
60 420A		FRAME, INST. PANEL	FA54-60-420A	1		
60 431A		BRACKET NO. 1	FA54-60-445	1		
60 432A		BRACKET NO. 2	FA54-60-446	1		
60 440		REINFORCEMENT, GLOVE TRAY	FA54-60-440	1		
60 532		FRAME, GLOVE BOX-LWR.	FA54-60-531	1		
60 690		SWITCH, GLOVE TRAY	FA54-66-540	1		
60 716		GRILLE, DEF. NOZZLE	FA54-60-786	1		
		RED	10			
		OFF-BLACK	65			
		BROWN	78			
60 785		GRILLE (R), DEF. NOZZLE	FA54-60-785	1		
		RED	10			
		OFF-BLACK	65			
		BROWN	78			
60 795		GRILLE (L), DEF. NOZZLE	FA54-60-795	1		
		RED	10			
		OFF-BLACK	65			
		BROWN	78			
62 665B		RUBBER, CUSHION	0259-58-612	2		
64 030		LID, GLOVE POCKET	FA54-64-030A	1		
		RED	11			
		OFF-BLACK	64			
		BROWN	79			
64 036		STOPPER (R), GLOVE LID	FA54-64-035	1		
		STOPPER (L), GLOVE LID	FA54-64-045	1		
64 050B		BOX, BULB	H043-64-050	1		
64 086		SPRING, GLOVE LID	FA54-64-044	1		
64 101		STRIKER	FA54-64-101	1		
64 161		TRAY, GLOVE	FA54-64-161	1	(W/O INNER TRIM) (BLACK)	
			FA55-64-161	1	(W-INNER TRIM) (BLACK)	
64 903D		BOLT	B002-64-903	3		
64 996		NUT, EXPANSION	H043-64-996A	8		
68 332		HOOK, GLOVE LID	FA54-64-042	1		

5570A-1 CONSOLE



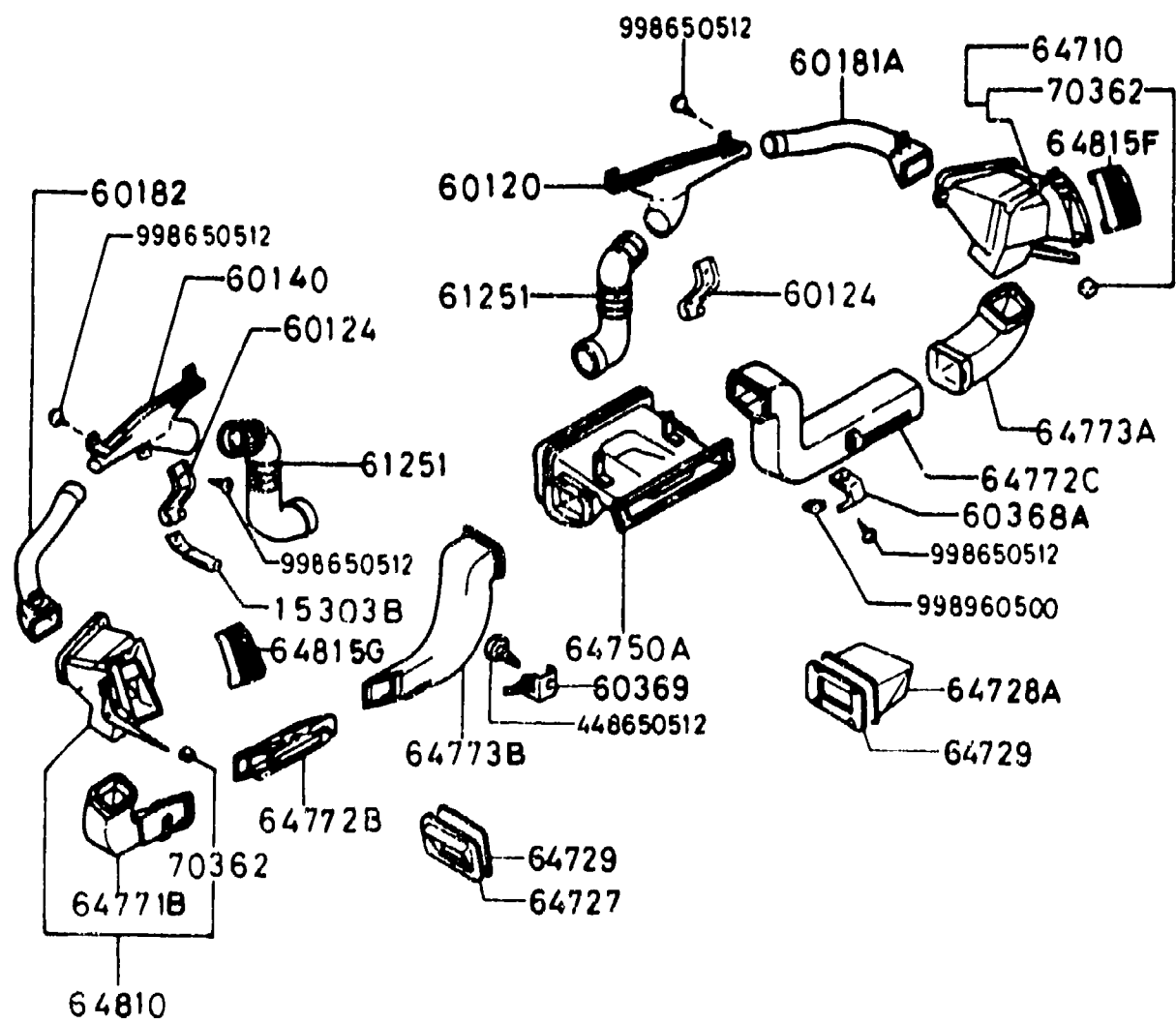
ITEM NO.	D-CODE	DESCRIPTION	PART NO.	QTY	MODEL/DESCRIPTION	REMARKS
55 216A		SPRING, BOOT PANEL	8871-55-216	2	A/T	
55 240A		BULB & SOCKET	1840-55-240	1	A/T	
55 240J		BULB	0000-11-0194	1	(3.4W) A/T	
60 365B		REINFORCEMENT, CONSOLE	FA54-60-365	1		
64 230		WALL (R), SIDE	FA54-64-240	1		
		OFF-BLACK	09			
		RED	12			
		BROWN	79			
64 240A		WALL (L), SIDE	FA54-64-250	1		
		OFF-BLACK	09			
		RED	12			
		BROWN	79			
64 313		SPRING, CONSOLE LID	FA54-64-414	1		
64 331		BOOT, CHANGE	FA54-64-351C	1	M/T	
		RED	12			
		OFF-BLACK	63			
		BROWN	77			
64 331A		BOOT	FA01-64-494	1	M/T	
64 340		PLATE, UPPER	FA54-64-350C	1	M/T	
		SILVER M./RED	12			
		SILVER M./OFF-BLACK	63			
		SILVER M./BROWN	77			
64 340A		INDICATOR	FA55-64-350A	1	A/T	
		SILVER METALLIC	07			
64 345		PANEL, SWITCH	FA54-64-451	1	(USE W. COIN BOX) (S, GS)	
		RED	11			
		OFF-BLACK	64			
		BROWN	79			
			FA55-64-451	1	(USE W/BALANCER) (GSL, GSL-SE)	
		RED	11			
		OFF-BLACK	64			
		BROWN	79			
64 350		BRACKET, FRONT	FA55-64-370	1		
64 370		BRACKET, REAR	8871-64-415	1		
64 410		CONSOLE, REAR	FA54-64-410	1	(W/O INNER TRIM) (S, GS)	
		RED	11			
		OFF-BLACK	64			
		BROWN	79			

5570A-2 CONSOLE



ITEM NO	D-CODE	DESCRIPTION	PART NO.	QTY	MODEL/DESCRIPTION	REMARKS
64 410	(CONT'D)		FA55-64-410	1	(W/INNER TRIM) (GSL, GSL-SE)	
		RED	11			
		OFF-BLACK	64			
		BROWN	79			
64 430		BRACKET CTR. REAR	FA54-64-430	1		
64 450		LID, CONSOLE	FA54-64-420	1		
		RED	11			
		OFF-BLACK	64			
		BROWN	79			
64 481A		STOPPER, CONSOLE LID	FA54-64-412	1		
64 482B		STOPPER, CONSOLE LID	FA54-64-413	1		
64 492		INSULATOR	FA01-64-492	1	M/T	
66 620D		SWITCH, O/DRIVE CANCEL	FA55-66-620B	1	A/T	
68 832		SHEET, BOOT	FA01-64-491	1	M/T	

5580A-1 VENTILATOR


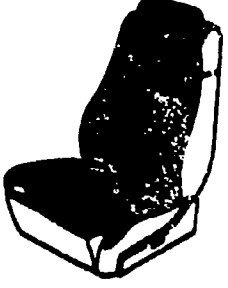








ITEM NO	D-CODE	DESCRIPTION	PART NO	QTY	MODEL/DESCRIPTION	REMARKS
	15 303B	CLIP	2667-15-303A	1		
	60 120	NOZZLE (R), DEFROSTER	FA54-60-121	1		
	60 124	BRACKET, DEF NOZZLE	FA54-60-125	2		
	60 140	NOZZLE (L), DEFROSTER	FA54-60-141	1		
	60 181A	DUCT (R), SIDE DEMISTER	FA54-60-181	1		
	60 182	DUCT (L), SIDE DEMISTER	FA54-60-191	1		
	60 368A	BRACKET (R), DUCT	FA54-60-368	2		
	60 369	BRACKET (L), DUCT	FA54-60-369	1		
	61 251	HOSE, DEFROSTER	FA54-60-151	2		
	64 710	VENTILATOR (R)	FA54-64-710	1		
		RED	11			
		OFF-BLACK	64			
		BROWN	79			
	64 727	GASKET (L)	FA54-64-728A	1		
	64 728A	GASKET (R)	FA54-64-727	1	FROM NOV. '83 PROD	FB33* .800001-807207
			FA54-64-727A	1	FROM DEC '83 PROD	FB33* .807208
	64 729	PLATE, GASKET	FA54-64-729	2		
	64 750A	DUCT, CENTER	FA54-64-751A	1		
	64 771B	DUCT NO 1 (L)	FA54-64-771	1		
	64 772B	DUCT NO 2 (L)	FA54-64-772B	1		
	64 772C	DUCT NO 2 (R)	FA54-64-762	1		
	64 773A	DUCT NO 3 (R)	FA54-64-763	1		
	64 773B	DUCT NO 3 (L)	FA54-64-773	1		
	64 810	VENTILATOR (L)	FA54-64-720	1		
		RED	11			
		OFF-BLACK	64			
		BROWN	79			
	64 815	LOUVER (R)	FA54-64-810	1		
		RED	11			
		OFF-BLACK	64			
		BROWN	79			
	64 815G	LOUVER (L)	FA54-64-820	1		
		RED	11			
		OFF-BLACK	64			
		BROWN	79			
	70 362	KNOB, VENTILATOR	FA54-64-715	2		
		RED	11			
		OFF-BLACK	64			
		BROWN	79			

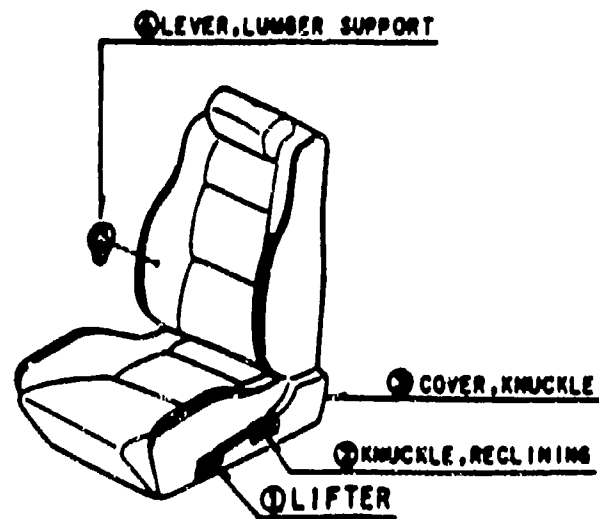
SECTION INDEX -- BODY

STARTING LOCATION	SECT. NO.	SECTION NAME	STARTING LOCATION	SECT. NO.	SECTION NAME	STARTING LOCATION	SECT. NO.	SECTION NAME
2 - C 3	0900A	KEY SETS	2 - C 7	5840A	FRONT DOOR TRIM & RELATED PARTS	2 - G 10	6702A	WIRE HARNESS (DASHBOARD)
2 - D 3	5000A	FRONT BUMPER	2 - H 7	6100A	HEATER	2 - H 10	6703A	WIRE HARNESS (DOOR, FLOOR CEILING)
2 - E 3	5005A	RADIATOR GRILLE	2 - I 7	6110A	HEATER UNIT COMPONENTS	2 - I 10	6704A	WIRE HARNESS CLAMPS
2 - F 3	5010A	REAR BUMPER	2 - J 7	6115A	HEATER CONTROLS COMPONENTS	2 - J 10	6720A	WINDSHIELD WASHER
2 - G 3	5030A	WINDOW MOULDINGS	2 - K 7	6120A	HEATER BLOWER COMPONENTS	2 - K 10	6730A	WINDSHIELD WIPER
2 - H 3	5040A	BODY MOULDINGS	2 - L 7	6125B	AIR CONDITIONER	2 - L 10	6740A	WIPER MOTOR COMPONENTS (FRONT)
2 - I 3	5060A	SIDE PROTECTORS	2 - M 7	6130B	AIR CONDITIONER (NIPPONDENSO)	2 - M 10	6750A	WINDOW WIPER & WASHER (REAR) (GSL, GSL-SE)
2 - J 3	5100A	HEAD LAMPS	2 - C 8	6132B	AIR CONDITIONER (WYNN'S)	2 - N 10	6760A	WINDOW WIPER MOTOR COMPONENTS (REAR) (GSL, GSL-SE)
2 - K 3	5103A	HEAD LAMP RETRACTOR	2 - D 8	6140B	A/C COMPRESSOR BRACKETS (NIPPONDENSO)	2 - C 11	6800A	CEILING TRIM
2 - L 3	5105A	FRONT COMBINATION LAMPS	2 - F 8	6142B	A/C COMPRESSOR COMPONENTS (WYNN'S)	2 - D 11	6820A	PILLAR TRIM
2 - M 3	5110A	REAR COMBINATION LAMPS	2 - H 8	6145B	A/C COMPRESSOR COMPONENTS (NIPPONDENSO)	2 - F 11	6840A	TRIM & SCUFF PLATE
2 - N 3	5120A	LICENSE LAMPS	2 - J 8	6150B	COOLING UNIT (NIPPONDENSO)	2 - I 11	6860A	FLOOR MATS & PADS
2 - C 4	5125A	INTERIOR LAMPS	2 - L 8	6152B	COOLING UNIT (WYNN'S)	2 - J 11	6870A	SERVICE TOOLS
2 - D 4	5170A	ORNAMENTS	2 - M 8	6230A	BACK DOOR MECHANISM	2 - K 11	6900A	VISOR, ASSIST HANDLE & MIRRORS
2 - E 4	5180A	COWL & EXTRACTOR GRILLES	2 - N 8	6300A	WINDOW GLASSES	2 - N 11	6930A	CAUTION PLATES & LABEL
2 - F 4	5230A	HOOD	2 - C 9	6330A	SUNROOF (GSL, GSL-SE)			
2 - G 4	5310A	BODY PANELS (FRONT)	2 - D 9	6600A	SWITCH & RELAY (ENGINE)			
2 - H 4	5320A	BODY PANELS (FENDER & WHEEL APRON)	2 - F 9	6610A	DASHBOARD SWITCHES (MANUAL OPERATING)			
2 - I 4	5330A	BODY PANELS (DASH & COWL PANEL)	2 - G 9	6611A	COMBINATION SWITCH			
2 - J 4	5340A	BODY PANELS (SIDE)	2 - H 9	6612A	CLUSTER SWITCH (RIGHT SIDE)			
2 - K 4	5360A	BODY PANELS (ROOF)	2 - I 9	6613A	CLUSTER SWITCH (LEFT SIDE)			
2 - L 4	5370A	BODY PANELS (FLOOR)	2 - J 9	6615A	POWER WINDOW SWITCH			
2 - M 4	5390A	FLOOR ATTACHMENTS	2 - K 9	6620A	DOOR, PARKING LAMP & KICKDOWN SWITCHES			
2 - C 5	5500A	DASHBOARD EQUIPMENT	2 - L 9	6630A	RELAY & CPU (BODY)			
2 - F 5	5520A	METER HOOD	2 - M 9	6635A	HORN			
2 - G 5	5530A	SPEEDOMETER CABLE	2 - N 9	6640A	AUTO CRUISE CONTROLS			
2 - H 5	5540A	METERS	2 - C 10	6680A	AUDIO SYSTEMS (RADIO & TAPE DECK)			
2 - I 5	5550A	CLUSTER SWITCH COVER	2 - D 10	6682A	AUDIO SYSTEMS (ANTENNA & SPEAKER)			
2 - J 5	5560A	DASHBOARD & RELATED	2 - E 10	6700A	WIRE HARNESS (FRONT & REAR)			
2 - L 5	5570A	CONSOLE	2 - F 10	6701A	WIRE HARNESS (ENGINE & TRANSMISSION)			
2 - N 5	5580A	VENTILATOR						
2 - C 6	5700A	FRONT SEAT						
2 - H 6	5790A	SEAT BELTS						
2 - I 6	5800A	FRONT DOOR						
2 - J 6	5830A	FRONT DOOR MECHANISMS						

5700A-1 FRONT SEAT

SPECIFICATIONS		
TRIM	MATERIALS	CLOTH 
	PATTERN	
① LIFTER		-
② KNUCKLE, RECLINING		X
③ COVER, KNUCKLE		X
④ LEVER, LUMBER SUPPORT		X
SEAT TYPE		B (S,GS)

CLOTH	CLOTH	LEATHER
		
		
X	X	X
X	X	X
X	X	X
X	X	X
C	D	F

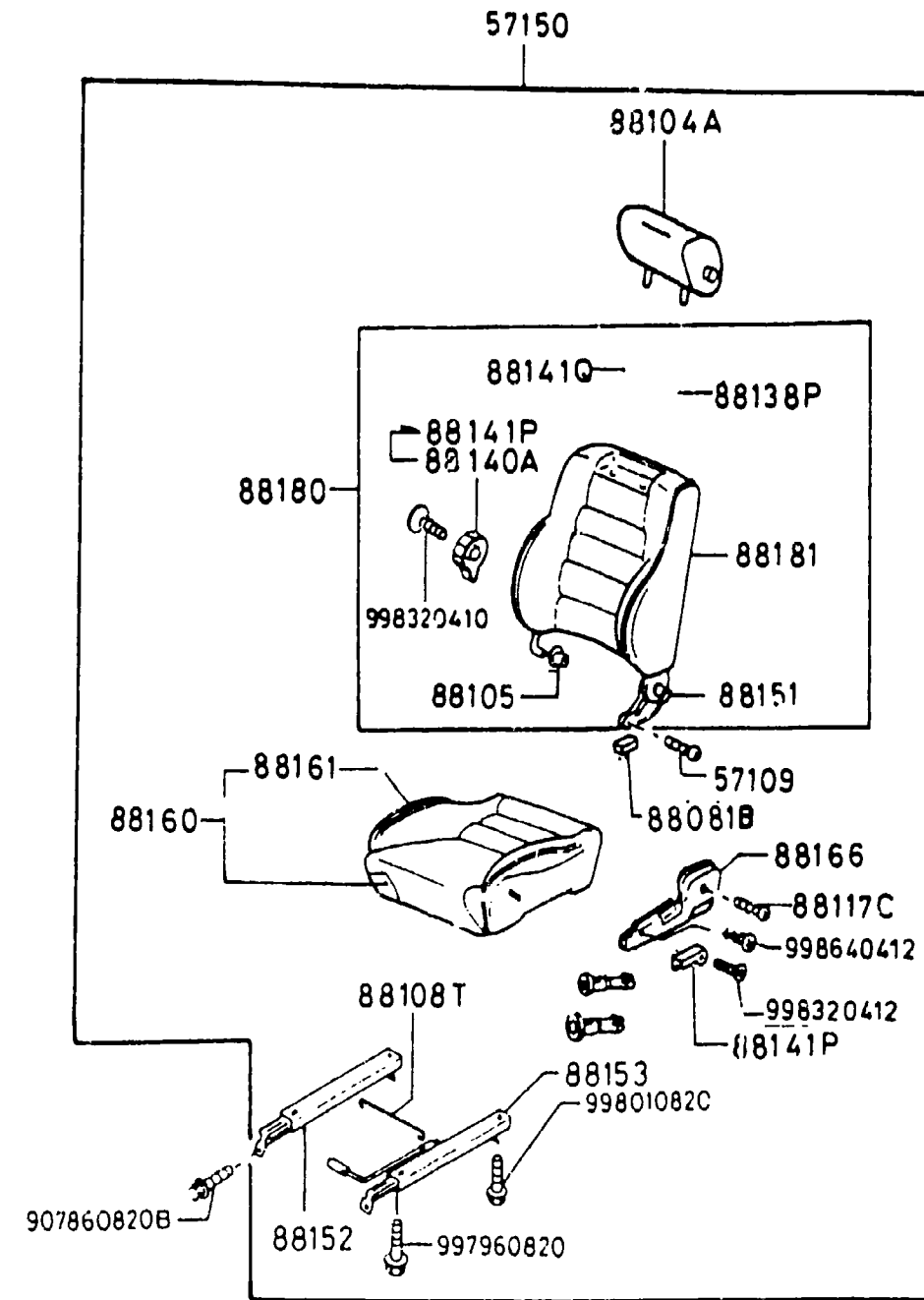
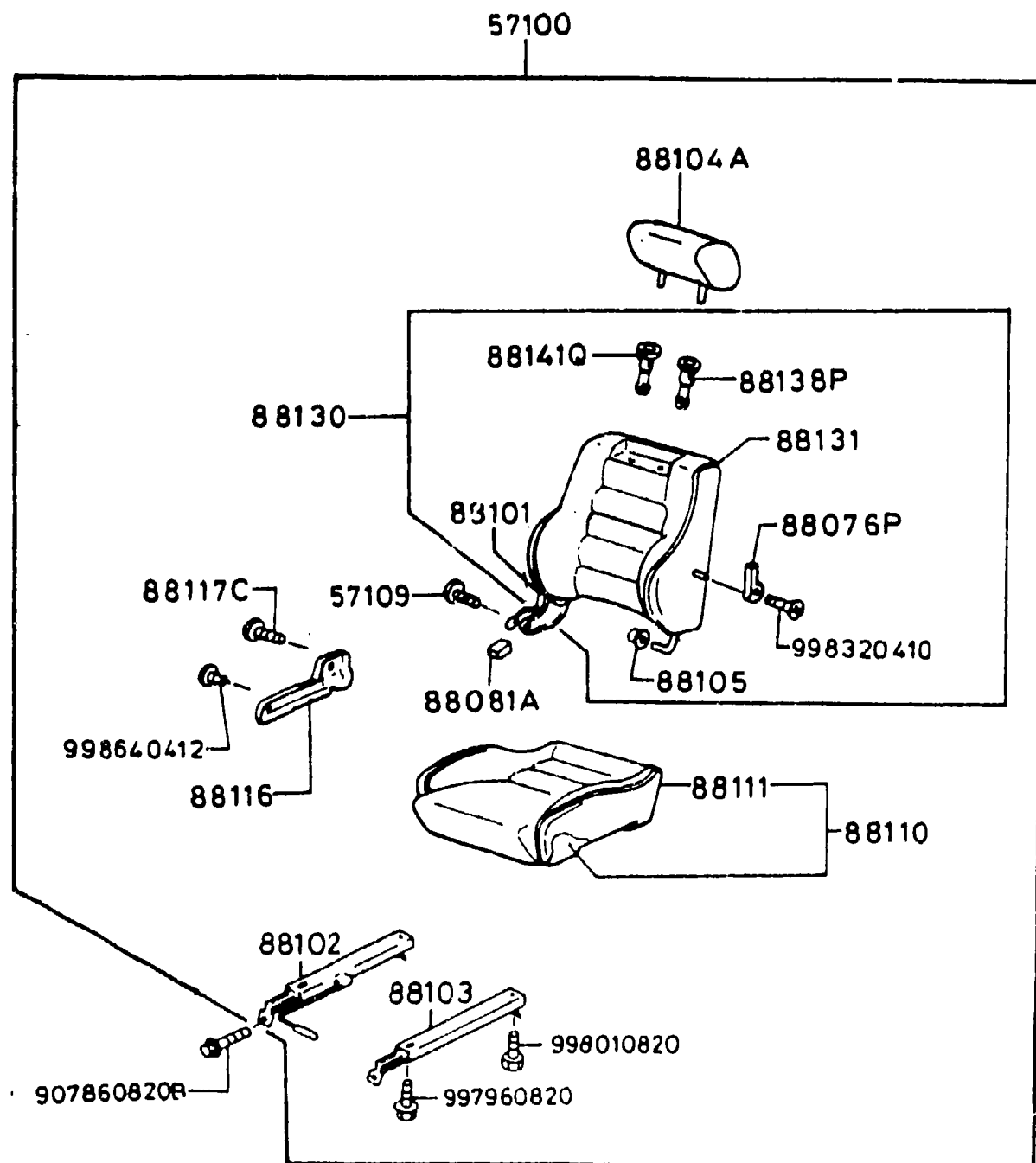


• PLEASE REFERENCE MAZDA INTERIOR TRIM GUIDE, P/N 9999-94 TRIM FOR SEAT & TRIM INFO.

• ALSO SEE PARTS BULLETINS FOR TRIM INFO.

MMAC D-3-R7 & D-4-R7
MMAE 11/28 & 11/44

5700A-2 FRONT SEAT



NOT PICTURED:
LUMBAR SUPPORT DIAL
FA58-88-3920
- 10 RED
- 65 OFF BLACK
- 77 BROWN

NOT PICTURED:
LUMBAR SUPPORT DIAL COVER
H003-88-7430
- 10 RED
- 65 OFF BLACK
- 77 BROWN

5700A-3 FRONT SEAT

GRADE LEVEL			S, GS	GSL	GSL-SE	GSL, GSL-SE
SEAT TYPE			B	C	D	F
SEAT MATERIAL			CLOTH	CLOTH	CLOTH	LEATHER
D-CODE	PART NAME	QTY	PART NUMBER	PART NUMBER	PART NUMBER	PART NUMBER
57 100	SEAT (R), FRONT	1	FA57-57-100	FA58-57-100	FA59-57-100	FA80-57-100
	RED		10	10	10	10
	OFF-BLACK		65	65	65	---
	BROWN		77	77	77	77
57 109	SCREW, KNUCKLE	8	2155-57-109	2155-57-109	2155-57-109	2155-57-109
57 150	SEAT (L), FRONT	1	FA57-57-150A	FA58-57-150A	FA59-57-150A	FA80-57-150
	RED		10	10	10	10
	OFF-BLACK		65	65	65	---
	BROWN		77	77	77	77
88 076P	LEVER, LIFTER	1	H003-88-076	H003-88-076	H003-88-076	H003-88-076
	RED		10	10	10	10
	OFF-BLACK		65	65	65	---
	BROWN		77	77	77	77
88 081A	KNOB (R), KNUCKLE	1	B001-88-081	B001-88-081	B001-88-081	B001-88-081
	RED		10	10	10	10
	OFF-BLACK		65	65	65	---
	BROWN		77	77	77	77
88 081B	KNOB (L), KNUCKLE	1	B001-88-091	B001-88-091	B001-88-091	B001-88-091
	RED		10	10	10	10
	OFF-BLACK		65	65	65	---
	BROWN		77	77	77	77
88 101	KNUCKLE (R), RECLINING	1	FA58-88-101	FA58-88-101	FA58-88-101	FA58-88-101
88 102	ADJUSTER NO. 1	1	8183-88-102	8183-88-102	8183-88-102	8183-88-102
88 103	ADJUSTER NO. 2	1	F005-88-103	F005-88-103	F005-88-103	F005-88-103
88 104A	RESTRAINT, HEAD	2	FA57-88-104	FA58-88-104	FA59-88-104	FA80-88-104
	RED		10	10	10	10
	OFF-BLACK		65	65	65	---
	BROWN		77	77	77	77
88 105	BUSHING	2	B001-88-123	B001-88-123	B001-88-123	B001-88-123
88 108T	WIRE, RELEASE	1	H115-88-108	H115-88-108	H115-88-108	H115-88-108

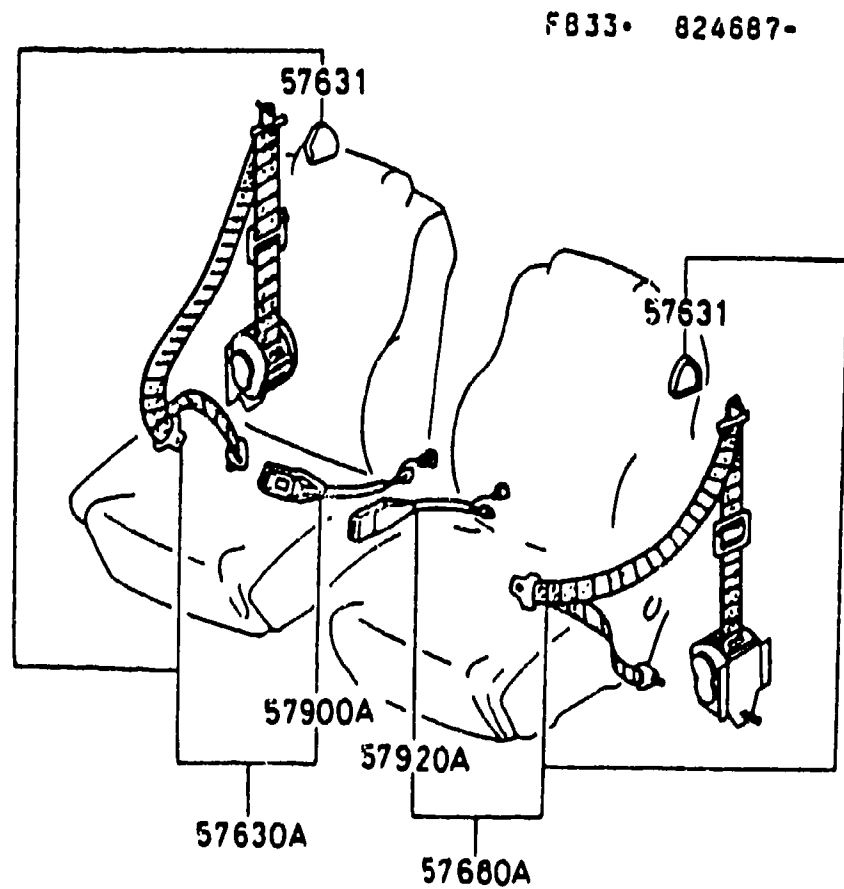
5700A-4 FRONT SEAT

GRADE LEVEL			S, GS	GSL	GSL-SE	GSL, GSL-SE
SEAT TYPE			B	C	D	F
SEAT MATERIAL			CLOTH	CLOTH	CLOTH	LEATHER
D-CODE	PART NAME	QTY	PART NUMBER	PART NUMBER	PART NUMBER	PART NUMBER
88 110	CUSHION (R), FRONT SEAT	1	FA57-88-110	FA58-88-110	FA59-88-110	FA80-88-110
	RED		10	10	10	10
	OFF-BLACK		65	65	65	---
	BROWN		77	77	77	77
88 111	TRIM (R), SEAT CUSHION	1	FA57-88-111	FA58-88-111	FA59-88-111	FA80-88-111
	RED		10	10	10	10
	OFF-BLACK		65	65	65	---
	BROWN		77	77	77	77
88 116	COVER (R), KNUCKLE	1	F034-88-127	F034-88-127	F034-88-127	F034-88-127
	RED		10	10	10	10
	OFF-BLACK		65	65	65	---
	BROWN		77	77	77	77
88 117C	SCREW, KNUCKLE COVER	1	1243-88-117	1243-88-117	1243-88-117	1243-88-117
88 130	BACK (R), FRONT SEAT	1	FA57-88-130	FA58-88-130	FA59-88-130	FA80-88-130
	RED		10	10	10	10
	OFF-BLACK		65	65	65	---
	BROWN		77	77	77	77
88 131	TRIM (R), SEAT BACK	1	FA57-88-131	FA58-88-131	FA59-88-131	FA80-88-131
	RED		10	10	10	10
	OFF-BLACK		65	65	65	---
	BROWN		77	77	77	77
88 138F	GUIDE NO. 1, POLE	2	H001-88-138	H001-88-138	H001-88-138	H001-88-138
	RED		10	10	10	10
	OFF-BLACK		65	65	65	---
	BROWN		77	77	77	77
88 140A	KNOB, LUMBAR SUPPORT	1	FA58-88-392	FA58-88-392	FA58-88-392	FA58-88-392
	RED		10	10	10	10
	OFF-BLACK		65	65	65	---
	BROWN		77	77	77	77

5700A-5 FRONT SEAT

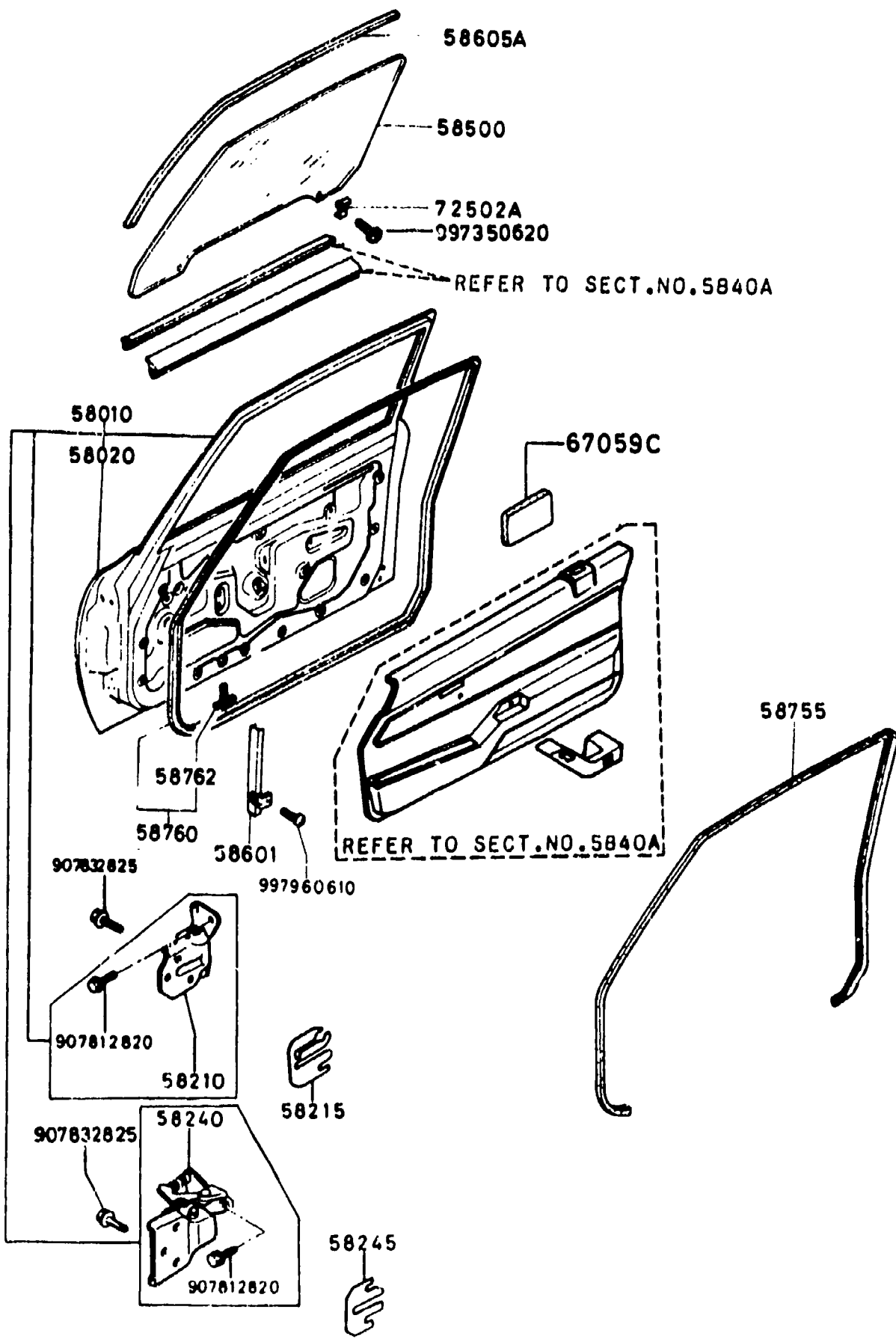
GRADE LEVEL			S, GS	GSL	GSL-SE	GSL, GSL-SE
SEAT TYPE			B	C	D	F
SEAT MATERIAL			CLOTH	CLOTH	CLOTH	LEATHER
D-CODE	PART NAME	QTY	PART NUMBER	PART NUMBER	PART NUMBER	PART NUMBER
88-141P	LEVER, LIFTER	1	---	FA58-88-831	FA58-88-831	FA58-88-831
	RED		---	10	10	10
	OFF-BLACK		---	65	65	---
	BROWN		---	77	77	77
88 141Q	GUIDE NO. 1, POLE	1	HA20-88-141	HA20-88-141	HA20-88-141	HA20-88-141
	RED		10	10	10	10
	OFF-BLACK		65	65	65	---
	BROWN		77	77	77	77
88 151	KNUCKLE (L), RECLINING	1	B042-88-151	B042-88-151	B042-88-151	B042-88-151
88 152	ADJUSTER NO. 3	1	FA58-88-152	FA58-88-152	FA58-88-152	FA58-88-152
88 153	ADJUSTER NO. 4	1	FA58-88-153	FA58-88-153	FA58-88-153	FA58-88-153
88 160	CUSHION (L), FRONT SEAT	1	FA57-88-160	FA58-88-160	FA59-88-160	FA80-88-160
	RED		10	10	10	10
	OFF-BLACK		65	65	65	---
	BROWN		77	77	77	77
88 161	TRIM (L), SEAT CUSHION	1	FA57-88-161	FA58-88-161	FA59-88-161	FA80-88-161
	RED		10	10	10	10
	OFF-BLACK		65	65	65	---
	BROWN		77	77	77	77
88 166	COVER (L), KNUCKLE	1	F034-88-177	FA58-88-177	FA58-88-177	FA58-88-177
	RED		10	10	10	10
	OFF-BLACK		65	65	65	---
	BROV'N		77	77	77	77
88 180	BACK (L), FRONT SEAT	1	FA57-88-180	FA58-88-180	FA59-88-180	FA80-88-180
	RED		10	10	10	10
	OFF-BLACK		65	65	65	---
	BROWN		77	77	77	77
88 181	TRIM (L), SEAT BACK	1	FA57-88-181	FA58-88-181	FA59-88-181	FA80-88-181
	RED		10	10	10	10
	OFF-BLACK		65	65	65	---
	BROWN		77	77	77	77

5790A-1 SEAT BELTS



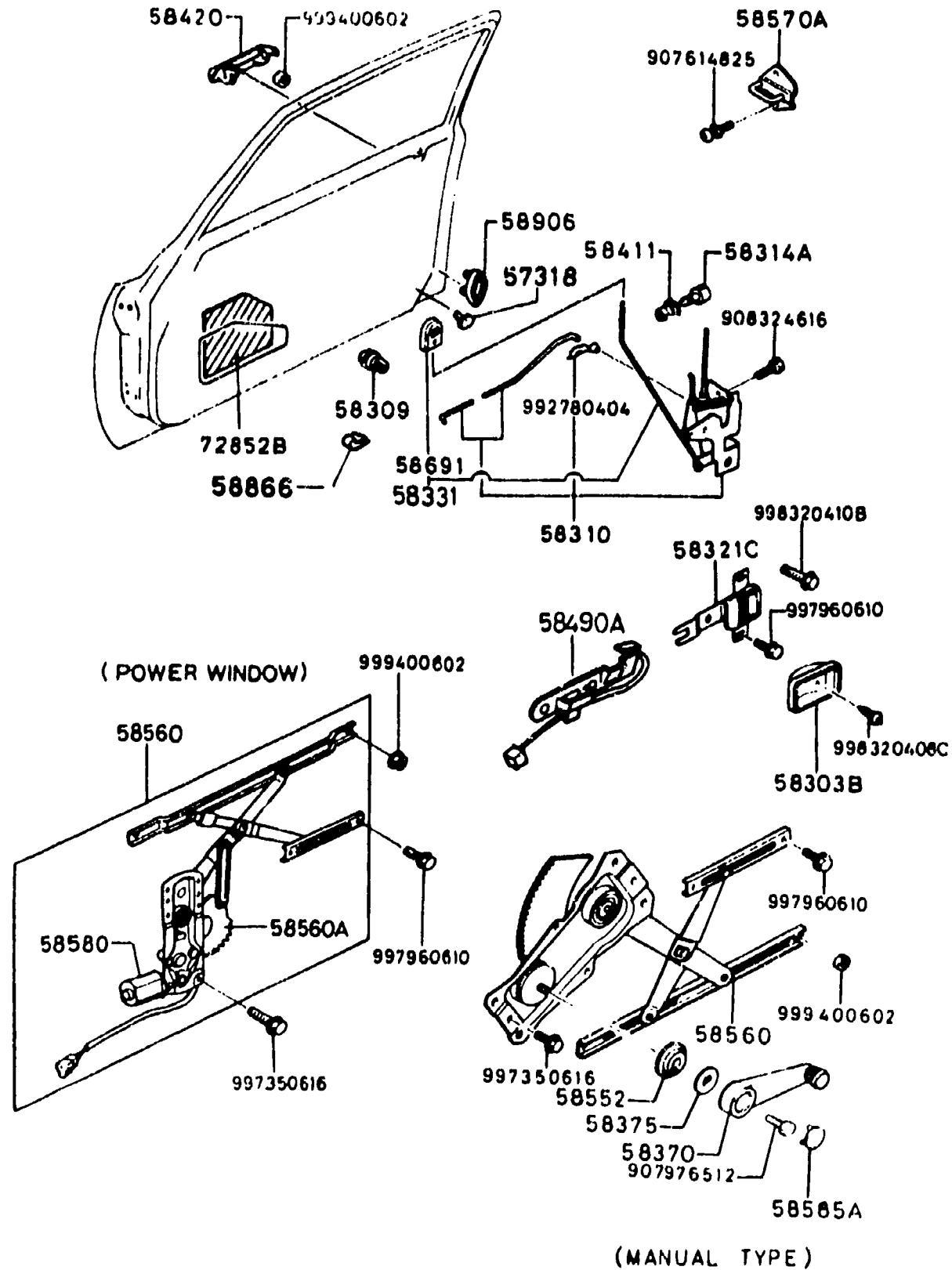
ITEM NO.	D-CODE	DESCRIPTION	PART NO.	QTY	MODEL/DESCRIPTION	REMARKS
	57 630A	BELT 'B' (R), FRT. SEAT	FA55-57-630A	1	(REG. LENGTH)	
		DARK GRAY	07			
		WINE/RED	12			
		BROWN	84			
			FA77-57-630	1	(EXT. LENGTH)	
		DARK GRAY	07			
		WINE/RED	12			
		BROWN	84			
		REFER TO SERV. BULL. NO. 001/84 CAT. 20 FOR CHILD RESTRAINT SEAT INSTALLATION INFO.				
	57 631	COVER, SASH GUIDE	G070-57-631	2		
		RED	12			
		OFF-BLACK	65			
		BROWN	84			
	57 680A	BELT 'B' (L), FRT. SEAT	FA55-57-690	1	(REG. LENGTH)	
		DARK GRAY	07			
		RED	12			
		BROWN	84			
			FA77-57-690	1	(EXT. LENGTH)	
		DARK GRAY	07			
		RED	12			
		BROWN	84			
	57 900A	BELT 'A' (R), FRT. SEAT	FA55-57-620A	1		
		RED	12			
		OFF-BLACK	65			
		BROWN	84			
	57 920A	BELT 'A' (L), FRT. SEAT	FA55-57-680A	1		
		RED	12			
		OFF-BLACK	65			
		BROWN	84			
		CHILD RESISTANT SEAT CLIP	FA55-57-999	1		
		SEE SERV. BULL. 001/84 CAT. 20 FOR MORE SEAT CLIP INFO.				
		REFER TO PARTS BULL. NO. T-3-3 FOR SEAT BELT INFO.				

5800A-1 FRONT DOOR



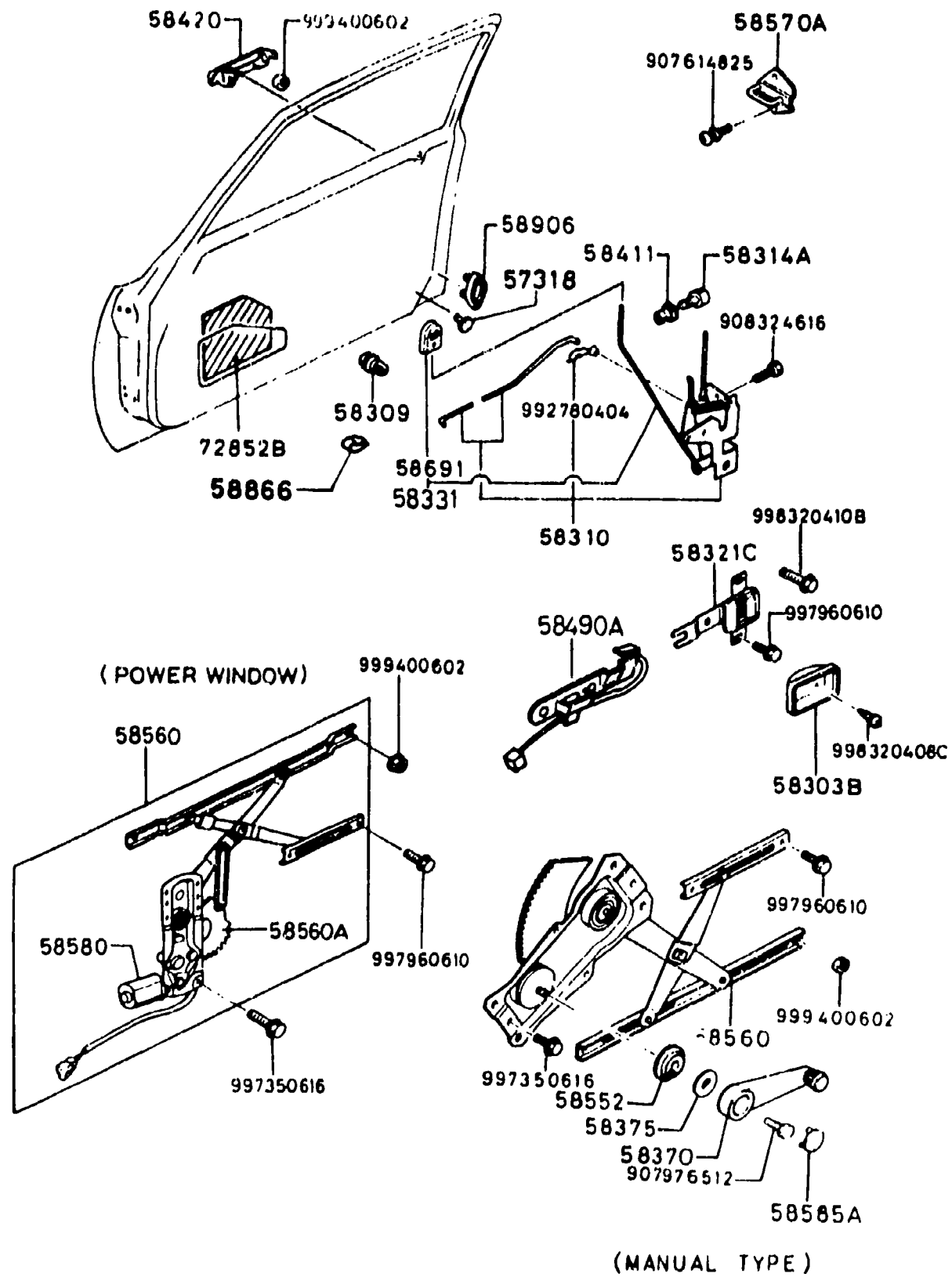
ITEM NO.	D-CODE	DESCRIPTION	PART NO.	QTY	MODEL/DESCRIPTION	REMARKS
58 010		BODY (R), FRONT DOOR	FA54-58-010H	1		
		BODY (L), FRONT DOOR	FA54-59-010H	1		
58 020		PANEL (R), OUT.-FRT. DOOR	8981-58-020E	1		
		PANEL (L), OUT.-FRT. DOOR	8871-59-020E	1		
58 210		HINGE (R), DOOR-UPPER	8871-58-210	1		
		HINGE (L), DOOR-UPPER	8871-59-210	1		
58 215		SPACER, HINGE-UPPER	1011-58-231	2		
58 240		HINGE (R), DOOR-LOWER	8032-58-240	1		
		HINGE (L), DOOR-LOWER	8531-59-240A	1		
58 245		SPACER, HINGE-LOWER	8531-58-231A	2		
58 500		GLASS (R), DOOR-FRT.	8871-58-501E	1		
			FA66-58-501	1	13B (GSL SE) FROM APR. '85 PROD.	FB33* ..893766-
		GLASS (L), DOOR-FRT.	8871-59-501E	1		
			FA66-59-501	1	13B (GSL SE) FROM APR. '85 PROD.	FB33* ..893766-
58 601		GUIDE 'A' (R), GLASS	8871-58-603	1		
		GUIDE 'A' (L), GLASS	8871-59-603	1		
58 605A		CHANNEL, GLASS	8871-58-605C	2		
58 755		WELT, SEAMING	FA02-68-911	2		
		RED	12			
		OFF-BLACK	65			
		BROWN	78			
58 760		WEATHERSTRIP (R), DOOR	8871-58-760	1		
		WEATHERSTRIP (L), DOOR	8871-59-760	1		
58 762		FASTENER	G030-58-762	42		
67 059C		PAD, PROTECTOR	G001-67-059	1		
72 502A		GROMMET, SCREW	8544-72-502	4		

5830A-1 FRONT DOOR MECHANISMS



ITEM NO.	D-CODE	DESCRIPTION	PART NO.	QTY	MODEL/DESCRIPTION	REMARKS
57 318		RUBBER, SUPPORT	0286-57-318	2		
58 303B		COVER, INNER HANDLE	8116-58-303	2		
		RED	12			
		OFF-BLACK	65			
		BROWN	78			
58 309		HOLDER, ROD	0305-58-309	4		
58 310		LOCK (R), DOOR	FA54-58-310A	1		
		LOCK (L), DOOR	FA54-59-310A	1		
58 314A		JOINT	1243-58-314	2		
58 321C		HANDLE, INNER	8545-58-330	2		
58 331		ROD (R), INNER LOCK	FA54-58-390	1		
		RED	10			
		OFF-BLACK	65			
		BROWN	78			
		ROD (L), INNER LOCK	FA54-59-390	1		
		RED	10			
		OFF-BLACK	65			
		BROWN	78			
58 370		HANDLE, REGULATOR	8038-58-580A	2		
		RED	12			
		OFF-BLACK	65			
		BROWN	78			
58 375		ESCUTCHEON	0223-58-375A	2		
		BLACK	00			
		RED	12			
		OFF-BLACK	65			
		BROWN	78			
58 411		BUSHING	1243-58-411	2		
58 420		HANDLE (R), OUTSIDE-FRT. DOOR	8871-58-410C	1		
		HANDLE (L), OUTSIDE-FRT. DOOR	8871-59-410C	1		
58 490A		SWITCH (L), HANDLE	FA54-59-490B	1		
58 552		GASKET, REGULATOR HANDLE	0259-58-305B	2		
58 560		REGULATOR (R), WINDOW	FA02-58-560	1	(POWER WINDOW) (GSL, GSL-SE)	
			8871-58-560A	1	(MANUAL TYPE) (S, GS)	
		REGULATOR (L), WINDOW	FA02-59-560	1	(POWER WINDOW) (GSL, GSL-SE)	
			8871-59-560A	1	(MANUAL TYPE) (S, GS)	
58 560A		ARM (R), REGULATOR	FA02-58-590	1		
		ARM (L), REGULATOR	FA02-59-590	1		
58 570A		STRIKER	8531-58-361	2		

5830A-2 FRONT DOOR MECHANISMS

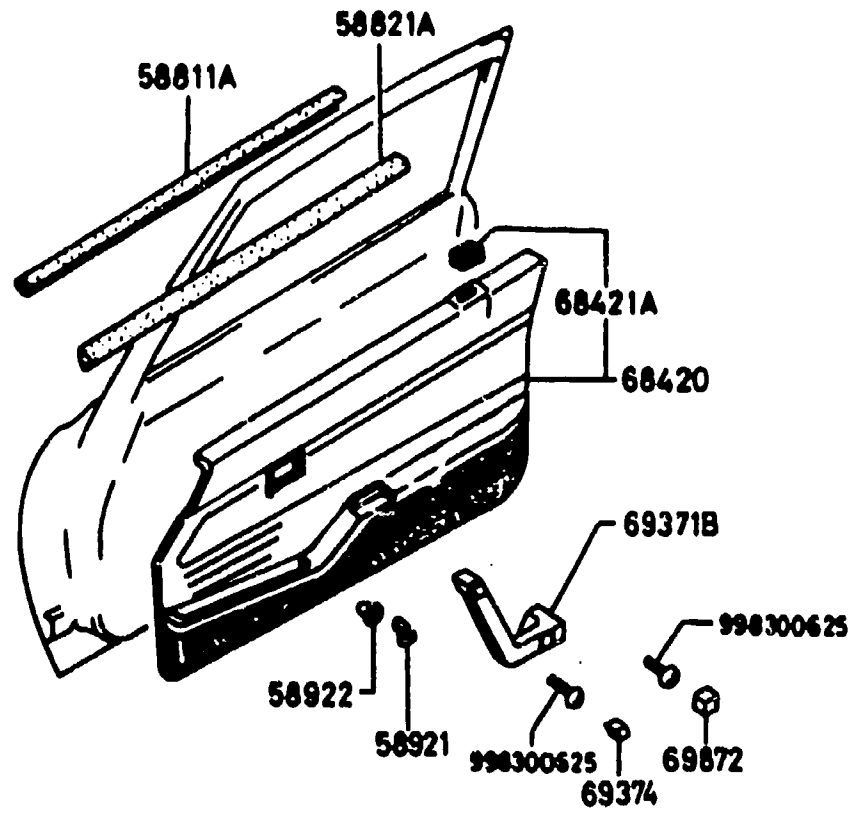


ITEM NO.	D-CODE	DESCRIPTION	PART NO.	QTY	MODEL/DESCRIPTION	REMARKS
58 580		MOTOR (R), WINDOW	G019-59-580	1	(FOR POWER WINDOW) (GSI, GSI-SE)	
		MOTOR (L), WINDOW	G019-58-580	1	(FOR POWER WINDOW) (GSI, GSI-SE)	
58 585A		CAP, REGULATOR HANDLE	8037-58-585	2	(FOR MANUAL TYPE) (S, GS)	
		RED	12			
		OFF-BLACK	65			
		BROWN	78			
58 691		KNOB, DOOR LOCK	G030-58-316A	2		
		RED	10			
		OFF-BLACK	65			
		BROWN	78			
58 866		CLIP	8038-58-866	2		
58 906		CUSHION, DOOR	0259-58-906	2		
72 8528		INSULATION	0305-72-852A	2		

SECTION INDEX -- BODY

STARTING LOCATION	SECT. NO.	SECTION NAME	STARTING LOCATION	SECT. NO.	SECTION NAME	STARTING LOCATION	SECT. NO.	SECTION NAME
2 - C 3	0900A	KEY SETS	2 - H 7	6100A	HEATER	2 - G 10	6702A	WIRE HARNESS (DASHBOARD)
2 - D 3	5000A	FRONT BUMPER	2 - I 7	6110A	HEATER UNIT COMPONENTS	2 - H 10	6703A	WIRE HARNESS (DOOR, FLOOR CEILING)
2 - E 3	5005A	RADIATOR GRILLE	2 - J 7	6115A	HEATER CONTROLS COMPONENTS	2 - I 10	6704A	WIRE HARNESS CLAMPS
2 - F 3	5010A	REAR BUMPER	2 - K 7	6120A	HEATER BLOWER COMPONENTS	2 - J 10	6720A	WINDSHIELD WASHER
2 - G 3	5030A	WINDOW MOULDINGS	2 - L 7	6125B	AIR CONDITIONER	2 - K 10	6730A	WINDSHIELD WIPER
2 - H 3	5040A	BODY MOULDINGS	2 - M 7	6130B	AIR CONDITIONER (NIPPONDENSO)	2 - L 10	6740A	WIPER MOTOR COMPONENTS (FRONT)
2 - I 3	5060A	SIDE PROTECTORS				2 - M 10	6750A	WINDOW WIPER & WASHER (REAR) (GSL, GSL-SE)
2 - J 3	5100A	HEAD LAMPS	2 - C 8	6132B	AIR CONDITIONER (WYNN'S)	2 - N 10	6760A	WINDOW WIPER MOTOR COMPONENTS (REAR) (GSL, GSL-SE)
2 - K 3	5103A	HEAD LAMP RETRACTOR	2 - D 8	6140B	A C COMPRESSOR BRACKETS (NIPPONDENSO)	2 - C 11	6800A	CEILING TRIM
2 - L 3	5105A	FRONT COMBINATION LAMPS	2 - F 8	6142B	A C COMPRESSOR COMPONENTS (WYNN'S)	2 - D 11	6820A	PILLAR TRIM
2 - M 3	5110A	REAR COMBINATION LAMPS	2 - H 8	6145B	A C COMPRESSOR COMPONENTS (NIPPONDENSO)	2 - F 11	6840A	TRIM & SCUFF PLATE
2 - N 3	5120A	LICENSE LAMPS	2 - J 8	6150B	COOLING UNIT (NIPPONDENSO)	2 - I 11	6860A	FLOOR MATS & PADS
2 - C 4	5125A	INTERIOR LAMPS	2 - L 8	6152B	COOLING UNIT (WYNN'S)	2 - J 11	6870A	SERVICE TOOLS
2 - D 4	5170A	ORNAMENTS	2 - M 8	6230A	BACK DOOR MECHANISM	2 - K 11	6900A	VISOR, ASSIST. HANDLE & MIRRORS
2 - E 4	5180A	COWL & EXTRACTOR GRILLES	2 - N 8	6300A	WINDOW GLASSES	2 - N 11	6930A	CAUTION PLATES & LABEL
2 - F 4	5230A	HOOD	2 - C 9	6330A	SUNROOF (GSL, GSL-SE)			
2 - G 4	5310A	BODY PANELS (FRONT)	2 - D 9	6600A	SWITCH & RELAY (ENGINE)			
2 - H 4	5320A	BODY PANELS (FENDER & WHEEL APRON)	2 - F 9	6610A	DASHBOARD SWITCHES (MANUAL OPERATING)			
2 - I 4	5330A	BODY PANELS (DASH & COWL PANEL)	2 - G 9	6611A	COMBINATION SWITCH			
2 - J 4	5340A	BODY PANELS (SIDE)	2 - H 9	6612A	CLUSTER SWITCH (RIGHT SIDE)			
2 - K 4	5360A	BODY PANELS (ROOF)	2 - I 9	6613A	CLUSTER SWITCH (LEFT SIDE)			
2 - L 4	5370A	BODY PANELS (FLOOR)	2 - J 9	6615A	POWER WINDOW SWITCH			
2 - M 4	5390A	FLOOR ATTACHMENTS	2 - K 9	6620A	DOOR, PARKING LAMP & KICKDOWN SWITCHES			
2 - C 5	5500A	DASHBOARD EQUIPMENT	2 - L 9	6630A	RELAY & CPU (BODY)			
2 - F 5	5520A	METER HOOD	2 - M 9	6635A	HORN			
2 - G 5	5530A	SPEEDOMETER CABLE	2 - N 9	6640A	AUTO CRUISE CONTROLS			
2 - H 5	5540A	METERS	2 - C 10	6680A	AUDIO SYSTEMS (RADIO & TAPE DECK)			
2 - I 5	5550A	CLUSTER SWITCH COVER	2 - D 10	6682A	AUDIO SYSTEMS (ANTENNA & SPEAKER)			
2 - J 5	5560A	DASHBOARD & RELATED	2 - E 10	6700A	WIRE HARNESS (FRONT & REAR)			
2 - L 5	5570A	CONSOLE	2 - F 10	6701A	WIRE HARNESS (ENGINE & TRANSMISSION)			
2 - N 5	5580A	VENTILATOR						
2 - C 6	5700A	FRONT SEAT						
2 - H 6	5790A	SEAT BELTS						
2 - I 6	5800A	FRONT DOOR						
2 - J 6	5830A	FRONT DOOR MECHANISMS						
2 - C 7	5840A	FRONT DOOR TRIM & RELATED PARTS						

(TYPE "A")
(TYPE "B")

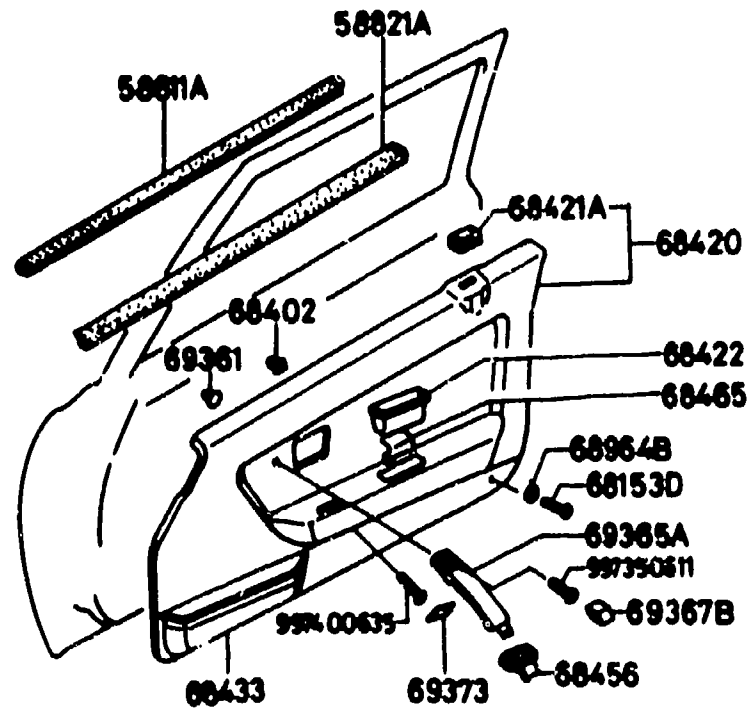


5840A FRONT DOOR TRIM & RELATED PARTS (2/2)

TYPE	PWR WINDOW		MATERIAL	MODEL	
	WITH	W/O			
A (FAS4)		X	Cloth Padded in Center of Panel	S & SE	
B (FAS8)		X	Cloth Vinyl Door Panel W Solid Vinyl Bottom Kick Panel. Top & Center of Panel is Vinyl	S	
D (FAS7)	X		Leather Center Panel	GL & GL-SE	
E (FAS6)	X		Cloth Striped Vinyl Center Panel	GL	
F (FAS5)	X		Cloth Solid Vinyl Center Panel	GL-SE	

MMAC
TERRITORY

(TYPE "D")
(TYPE "E")
(TYPE "F")



5840A-2 FRONT DOOR TRIM & RELATED PARTS

ITEM NO.	D-CODE	DESCRIPTION	PART NO.	QTY	MODEL/DESCRIPTION	REMARKS
	58 811A	WEATHERSTRIP, OUTER	8871-58-781	2		
	58 821A	WEATHERSTRIP, INNER	8871-58-791	2		
	58 921	FASTENER	FA02-68-401	24	(W/O POWER WINDOW) (S, GS)	
				22	(W/ POWER WINDOW) (GSL, GSL-SE)	
	58 922	CAP. FASTENER	0187-58-922	24	(W/O POWER WINDOW) (S, GS)	
				22	(W/ POWER WINDOW) (GSL, GSL-SE)	
	68 153D	SCREW, TAPPING	FA56-68-025B	2	(W/O POWER WINDOW) (S, GS)	
				4	(W/ POWER WINDOW) (GSL, GSL-SE)	
		RED	11			
		OFF-BLACK	65			
		BROWN	78			
	68 402	GROMMET, SCREW	FA54-68-402	4		
	68 420	TRIM (R), DOOR	FA54-68-420B	1	(TYPE 'A') (S, GS) CLOTH	
		RED	10			
		OFF-BLACK	65			
		BROWN	79			
			FA56-68-420E	1	(TYPE 'E') (GSL) STRIPED VELOUR	
		RED	11			
		OFF-BLACK	65			
		BROWN	78			
			FA57-68-420E	1	(TYPE 'D') (GSL, GSL-SE) LEATHER	
		RED	11			
		BROWN	78			
			FA58-68-420E	1	(TYPE 'F') (GSL-SE) SOLID VELOUR	
		RED	11			
		OFF-BLACK	65			
		BROWN	78			
			FA66-68-420B	1	(TYPE 'B') (S) CLOTH, VINYL	WESTERN REGIONS
		RED	10			
		OFF-BLACK	65			
		BROWN	79			
		TRIM (L), DOOR	FA54-68-450B	1	(TYPE 'A') (S, GS) CLOTH	
		RED	10			
		OFF-BLACK	65			

SEE ILLUSTRATION/S AT FRAME 2 - C 7

5840A.3 FRONT DOOR TRIM & RELATED PARTS

ITEM NO.	D-CODE	DESCRIPTION	PART NO.	QTY	MODEL/DESCRIPTION	REMARKS	
68 420 (CONT'D)		BROWN	79				
			FA56-68-450E	1	(TYPE 'E') (GSL) STRIPED VELOUR		
		RED	11				
		OFF-BLACK	65				
		BROWN	78				
			FA57-68-450E	1	(TYPE 'D') (GSL, GSL-SE) LEATHER		
		RED	11				
		BROWN	78				
			FA58-68-450E	1	(TYPE 'F') (GSL-SE) SOLID VELOUR		
		RED	11				
		OFF-BLACK	65				
		BROWN	78				
			FA66-68-450B	1	(TYPE 'B') (S) CLOTH/VINYL	WESTERN REGIONS	
		RED	10				
		OFF-BLACK	65				
		BROWN	79				
	68 421A		VESSEL, INNER LOCK	FA56-68-421	2	(W/ POWER WINDOW) (GSL, GSL-SE)	
			RED	11			
		OFF-BLACK	65				
68 422		HANDLE (R), PULL	B006-68-422	1	(W/ POWER WINDOW) (GSL, GSL-SE)		
		RED	11				
		OFF-BLACK	65				
		HANDLE (L), PULL	B006-68-452	1	(W/ POWER WINDOW) (GSL, GSL-SE)		
		RED	11				
		OFF-BLACK	65				
68 433		POCKET (R), DOOR TRIM	FA56-68-480	1	(W/ POWER WINDOW) (GSL, GSL-SE)		
		RED	11				
		OFF-BLACK	65				
		POCKET (L), DOOR TRIM	FA56-68-490	1	(W/ POWER WINDOW) (GSL, GSL-SE)		
		RED	11				
		OFF-BLACK	65				
	BROWN	78					
		POCKET (L), DOOR TRIM	FA56-68-490	1	(W/ POWER WINDOW) (GSL, GSL-SE)		
	RED	11					

SEE ILLUSTRATION/S AT FRAME 2 - C 7

5840A-4 FRONT DOOR TRIM & RELATED PARTS

SEE ILLUSTRATION/S AT FRAME 2 - C 7

ITEM NO.	D-CODE	DESCRIPTION	PART NO.	QTY	MODEL/DESCRIPTION	REMARKS
	68 433 (CONT'D)	OFF-BLACK	65			
		BROWN	78			
	68 456	VESSEL (R), ASSIST	FA56-68-426	1	(W/ POWER WINDOW) (GSL, GSL-SE)	
		RED	11			
		OFF-BLACK	65			
		BROWN	78			
		VESSEL (L), ASSIST GRIP	FA56-68-456	1	(W/ POWER WINDOW) (GSL, GSL-SE)	
		RED	11			
		OFF-BLACK	65			
		BROWN	78			
	68 465	BRACKET (R), PULL HANDLE	FA56-68-425A	1	(W/ POWER WINDOW) (GSL, GSL-SE)	
		BRACKET (L), PULL HANDLE	FA56-68-465	1	(W/ POWER WINDOW) (GSL, GSL-SE)	
	68 964B	WASHER	G030-68-964C	2	(W/ POWER WINDOW) (GSL, GSL-SE)	
		RED	11			
		OFF-BLACK	65			
		BROWN	78			
	69 361	GROMMET, SCREW	H001-69-361	2		
	69 365A	GRIP (R), ASSIST	FA56-69-365A	1	(W/ POWER WINDOW) (GSL, GSL-SE)	
		RED	11			
		OFF-BLACK	65			
		BROWN	78			
		GRIP (L), ASSIST	FA56-69-385A	1	(W/ POWER WINDOW) (GSL, GSL-SE)	
		RED	11			
		OFF-BLACK	65			
		BROWN	78			
	69 367B	CAP (R), ASSIST GRIP	FA56-69-367A	1	(W/ POWER WINDOW) (GSL, GSL-SE)	
		RED	12			
		OFF-BLACK	65			
		BROWN	78			
		CAP (L), ASSIST GRIP	FA56-69-387A	1	(W/ POWER WINDOW) (GSL, GSL-SE)	
		RED	12			
		OFF-BLACK	65			
		BROWN	78			
	69 371B	HANDLE (R), PULL	FA01-69-371A	1	(W/O POWER WINDOW) (S, GS)	

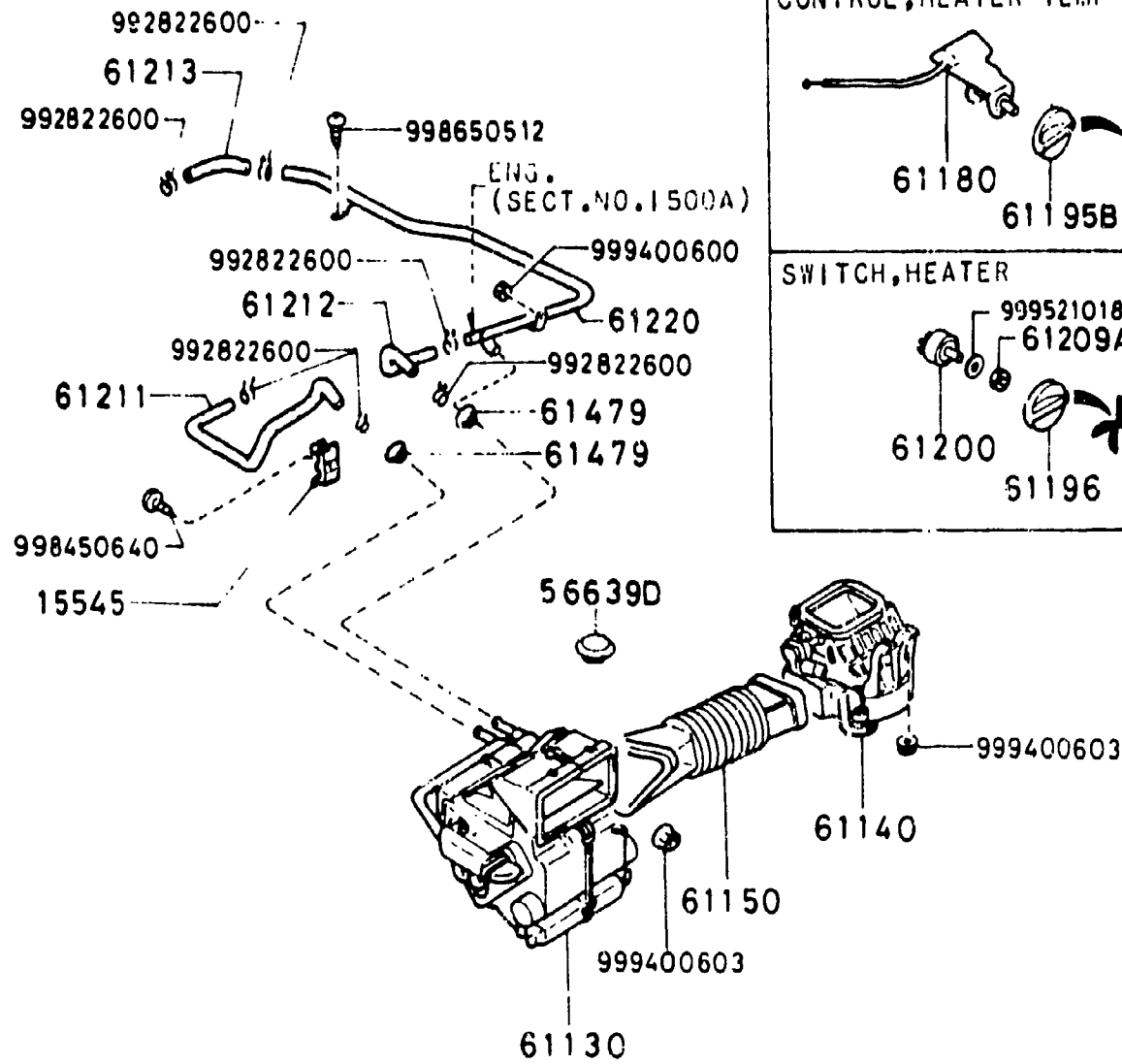
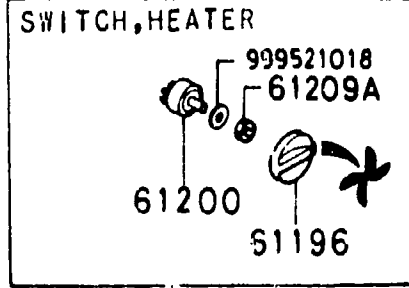
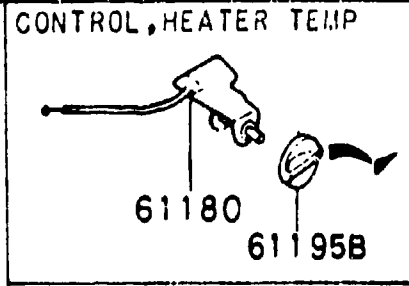
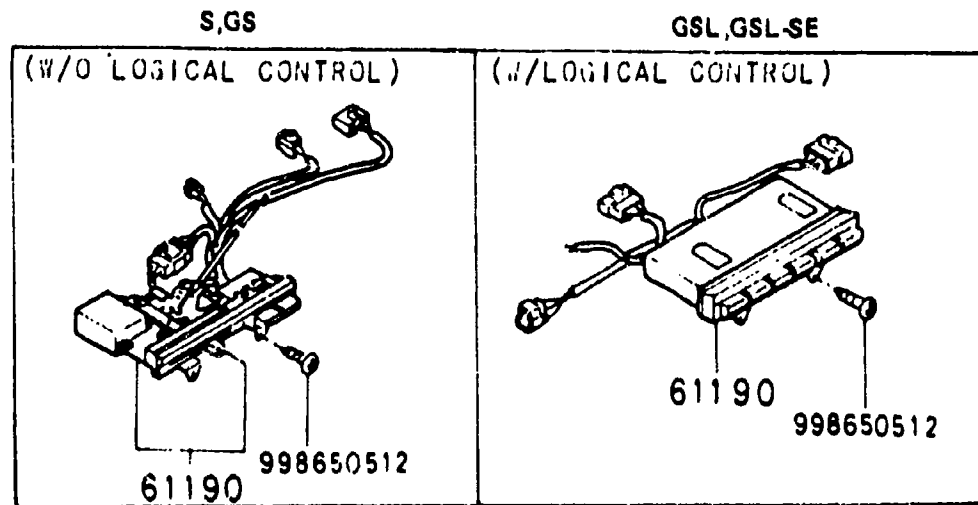
5840A-5

FRONT DOOR TRIM &
RELATED PARTS

ITEM NO.	D-CODE	DESCRIPTION	PART NO.	QTY	MODEL/DESCRIPTION	REMARKS
69 3718 (CONT'D)		RED	12			
		OFF-BLACK	65			
		BROWN	78			
		HANDLE (L), PULL	FA01-69-391A	1	(W/O POWER WINDOW) (S, GS)	
		RED	12			
		OFF-BLACK	65			
		BROWN	78			
	69 373	CAP, ARM REST	FA56-69-366C	1	(W/O POWER WINDOW) (S, GS)	
		RED	12			
69 374		OFF-BLACK	65			
		BROWN	78			
		CAP (R), PULL HANDLE	FA01-69-372	1	(W/O POWER WINDOW) (S, GS)	
		RED	12			
		OFF-BLACK	65			
		BROWN	78			
		CAP (L), PULL HANDLE	FA01-69-392	1	(W/O POWER WINDOW) (S, GS)	
		RED	12			
		OFF-BLACK	65			
69 872		BROWN	78			
		CAP, PULL HANDLE	FA01-69-374	4	(W/ POWER WINDOW) (GSL, GSL-SE)	
		RED	12			
		OFF-BLACK	65			
		BROWN	78			

SEE ILLUSTRATION/S AT FRAME 2 - C 7

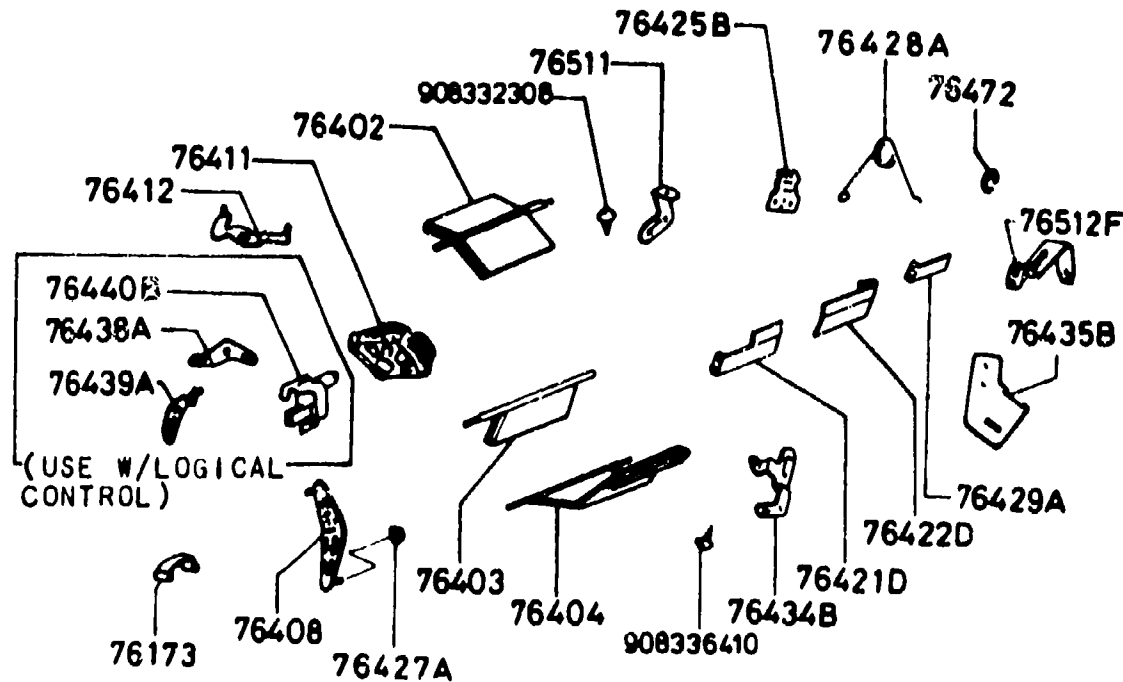
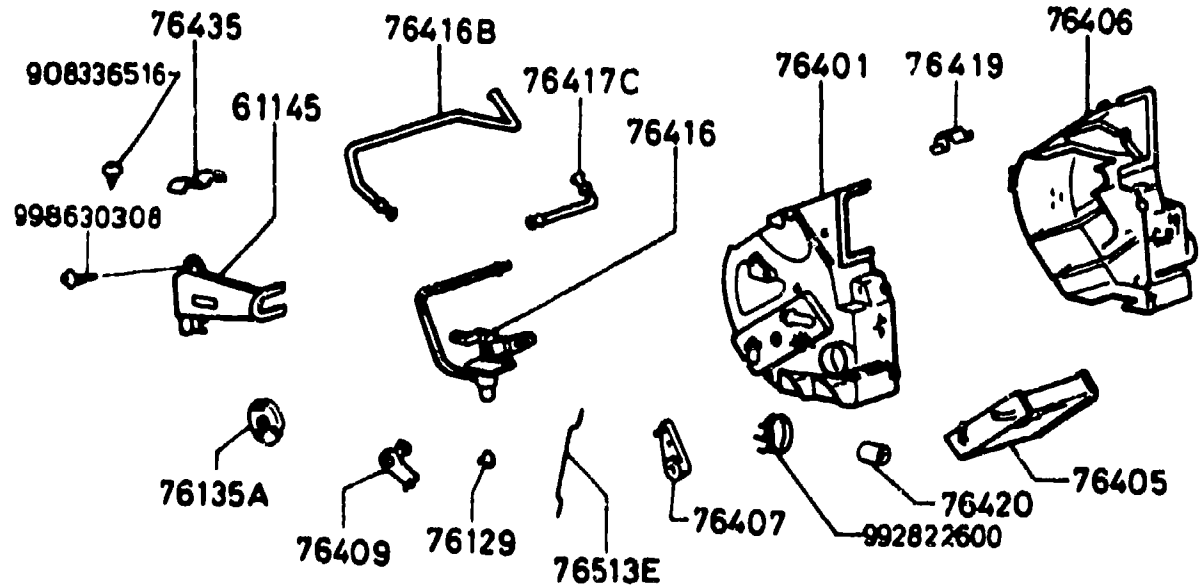
6100A-1 HEATER



ITEM NO.	D-CODE	DESCRIPTION	PART NO.	QTY	MODEL/DESCRIPTION	REMARKS
15 345		CLIP, HEATER HOSE	N231-15-545A	1	12A (S,GS,GSL)	
			FA54-61-231	1	13B (GSL-SE)	
56 639D		COVER, SERVICE HOLE	0810-56-639	1		
61 130		HEATER UNIT	FA54-61-130	1	S,GS	
			FA55-61-130A	1	GSL, GSL-SE	
61 140		BLOWER UNIT	FA55-61-140A	1		
61 150		DUCT	8871-61-150	1	(USE W/O AIR CON)	
61 180		CONTROL, HEATER TEMP.	FA54-61-180	1		
61 190		CONTROL, HEATER	FA54-61-190E	1	S, GS	
			FA55-61-190G	1	(GSL, GSL-SE)	
61 195B		KNOB	FA54-61-181B	1		
		SILVER METALLIC	07			
61 196		KNOB	FA55-61-195B	1	THRU DEC. '83 PROD.	FB33* ..800001-814673
		SILVER METALLIC	07			
			FA55-61-195C	1	FROM JAN. '84 PROD.	FB33* ..814674-
		SILVER METALLIC	07			
61 200		SWITCH, HEATER	FA54-61-200	1	THRU DEC. '83 PROD.	FB33* ..800001-814673
			FA54-61-200A	1	FROM JAN. '84 PROD.	FB33* ..814674-
61 209A		NUT, HEATER CONTROL	FA54-61-205	4		
61 211		HOSE, NO. 1, WATER	N231-15-550	1	12A (S, GS, GSL)	
			8871-61-230	1	13B (GSL-SE)	
61 212		HOSE NO. 2, WATER	8871-61-212	1	12A (S, GS, GSL)	
			FA54-61-212A	1	13B (GSL-SE)	
61 213		HOSE NO. 3, WATER	FA42-61-213A	1		
61 220		PIPE, HEATER	FA42-61-220C	1	12A (S, GS, GSL)	
			FA54-61-220C	1	13B (GSL-SE)	
61 479		GROMMET	8871-61-219A	2		

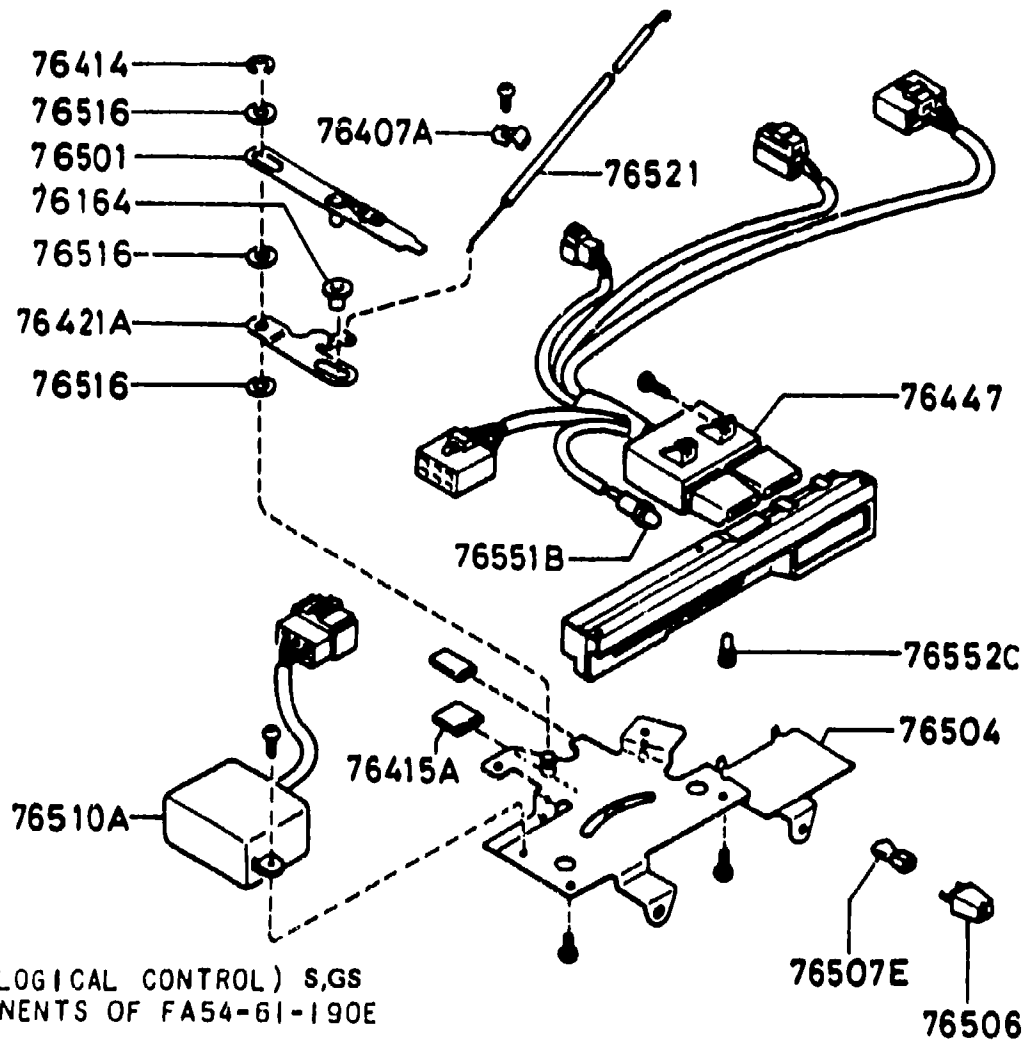
6110A-1 HEATER UNIT COMPONENTS

COMPONENTS OF FA54-61-130
FA55-61-130A



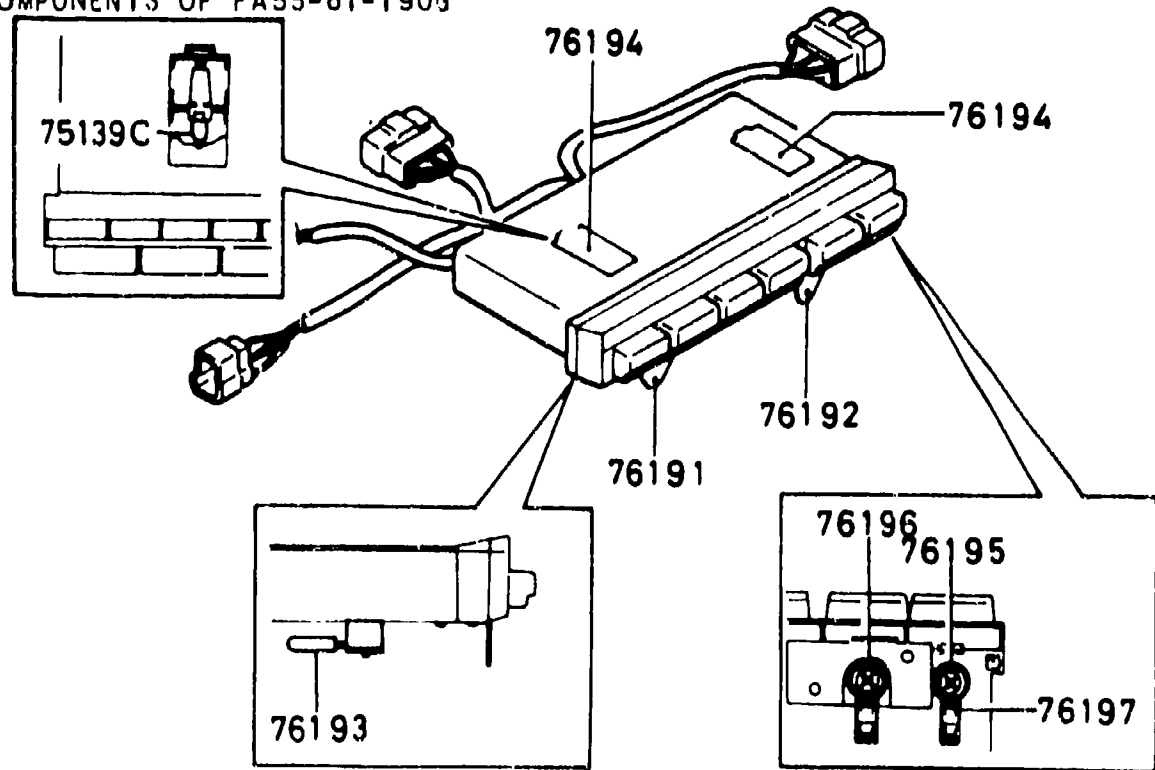
ITEM NO	D-CODE	DESCRIPTION	PART NO.	QTY	MODEL/DESCRIPTION	REMARKS
61 145		COVER, HEATER	8871-76-418	1		
76 129		BUSHING	FA54-76-426	2	(S, GS)	
				5	(GSL, GSL-SE)	
76 135A		SPRING	8871-76-415A	3	(S, GS)	
				5	(GSL, GSL-SE)	
76 173		CLAMP	8871-76-466	5	(S, GS)	
				6	(GSL, GSL-SE)	
76 401		CASE, HEATER	FA42-76-401	1		
76 402		SHUTTER NO. 1	FA42-76-403	1		
76 403		SHUTTER NO. 2	8871-76-405	1		
76 404		SHUTTER NO. 3	8871-76-410A	1		
76 405		CORE, HEATER	8871-76-402	1		
76 406		CASE HEATER	FA42-76-400A	1		
76 407		LEVER NO. 1, CONTROL	8871-76-406	1		
76 408		LEVER, CONTROL	FA42-76-413	1		
76 409		LEVER NO. 2, CONTROL	8871-76-407	1		
76 411		LEVER, CONTROL	FA54-76-411	1	(S, GS)	
			FA55-76-411	1	(GSL, GSL-SE)	
76 412		LEVER, CONTROL	FA42-76-412	1		
76 416		VALVE, WATER	8871-76-409	1		
76 416B		PIPE	8871-76-416	1		
76 417C		PIPE	8871-76-417	1		
76 419		CLIP	8871-76-471	1		
76 420		HOSE	8871-76-420	3		
76 421D		GUIDE	8871-76-421	1		
76 422D		GUIDE	8871-76-422	1		
76 425B		CLAMP	8871-76-425	1		
76 427A		BUSHING	8871-76-427	1		
76 428A		SPRING	FA42-76-428	1		
76 429A		GUIDE	FA54-76-429	1		
76 434B		PLATE	FA42-76-430	1		
76 435		CLIP	8871-76-419	2		
76 435B		PLATE, WIRE	FA54-76-435	1	(S, GS)	
76 438A		PLATE	FA55-76-438	1	(GSL, GSL-SE)	
76 439A		PLATE	FA55-76-439	1	(GSL, GSL-SE)	
76 440B		ACTUATOR	FA55-76-440	1	(GSL, GSL-SE)	
76 472		WASHER	8871-76-469	1		
76 511		PLATE, HEATER UNIT	FA42-76-404	1		
76 512F		CLIP	0862-76-512	1		
76 513E		SHAFT	8871-76-408	1		

6115A-1 HEATER CONTROLS COMPONENTS



(W/O LOGICAL CONTROL) S,GS
COMPONENTS OF FA54-61-190E

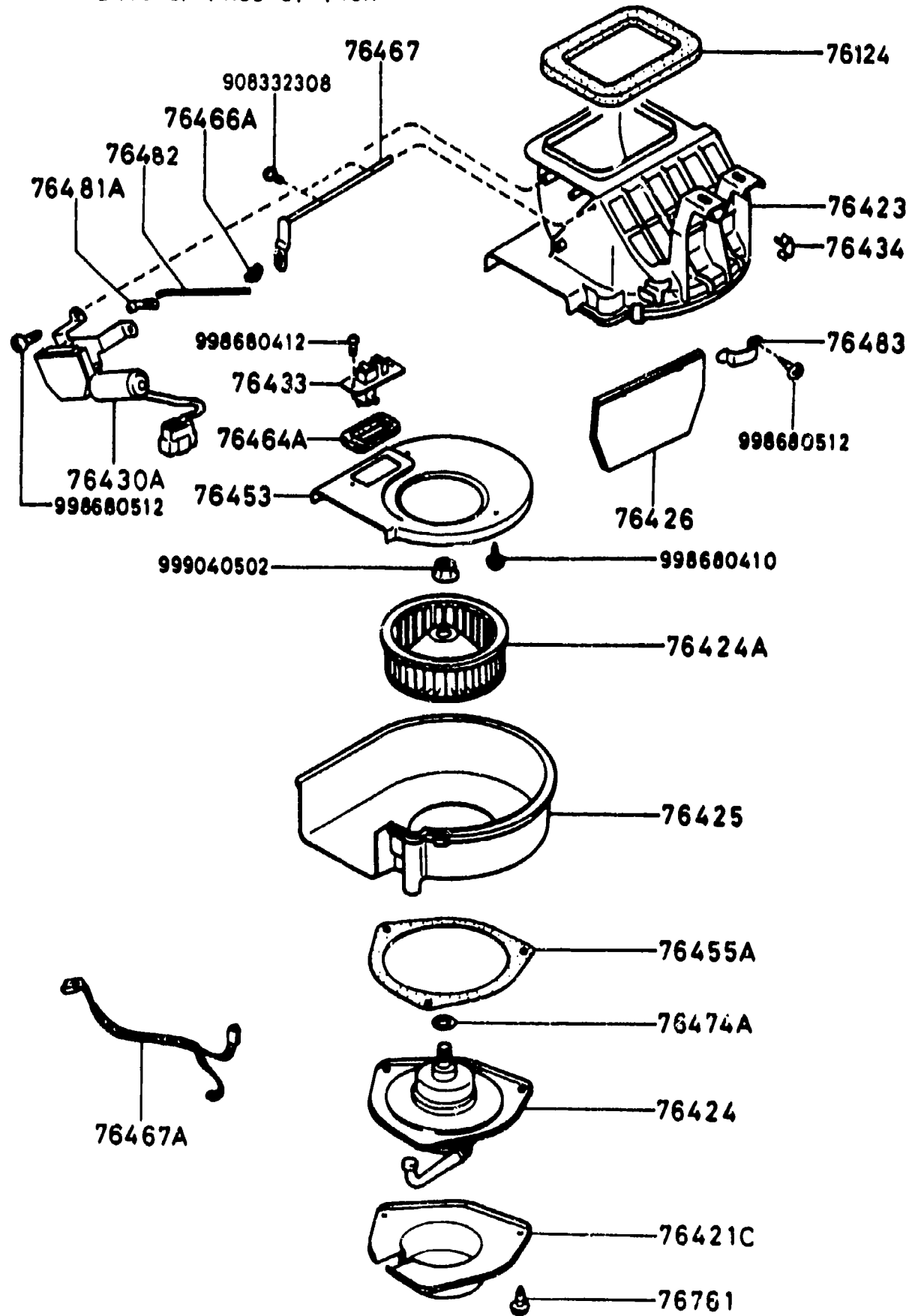
(W/LOGICAL CONTROL) GSL,GSL-SE
COMPONENTS OF FA55-61-190G



ITEM NO.	D-CODE	DESCRIPTION	PART NO.	QTY	MODEL/DESCRIPTION	REMARKS
	75 139C	BULB	0000-11-0074	2	(GSL, GSL-SE)	
	76 164	BUSHING	FA54-76-518	1	(S, GS)	
	76 191	BRACKET	FA55-76-191	1	(GSL, GSL-SE)	
	76 192	BRACKET	FA55-76-192	1	(GSL, GSL-SE)	
	76 193	BRACKET	FA55-76-193	1	(GSL, GSL-SE)	
	76 194	CAP	FA55-76-194	2	(GSL, GSL-SE)	
	76 195	BULB	FA55-76-195	1	(GSL, GSL-SE)	
	76 196	BULB	FA55-76-196	5	(GSL, GSL-SE)	
	76 197	KNOB, RETURN SPRING	FA55-76-197	6	(GSL, GSL-SE)	
	76 407A	CLAMP, CABLE	FA54-76-508	1	(S, GS)	
	76 414	RING, SNAP	0259-71-158	1	(S, GS)	
	76 415A	BUSHING	8531-76-415	1	(S, GS)	
	76 421A	PLATE	FA54-76-503	1	(S, GS)	
	76 447	SWITCH	FA54-76-504	1	(S, GS)	
	76 501	LEVER, CONTROL	FA54-76-501	1	(S, GS)	
	76 504	BRACKET	FA54-76-500	1	(S, GS)	
	76 506	LEVER CONTROL	FA54-76-506	1	(S, GS)	
	76 507E	LENS, CONTROL KNOB	FA54-76-507	1	(S, GS)	
	76 510A	AMPLIFIER	FA54-76-510	1	(S, GS)	
	76 516	WASHER	FA54-76-517	3	(S, GS)	
	76 521	WIRE, HEATER CONTROL	FA54-76-505	1	(S, GS)	
	76 551B	BULB & CAP	FA54-76-551	1	(S, GS)	
	76 552C	BULB	FA54-76-552	2	(S, GS)	

6120A-1 HEATER BLOWER COMPONENTS

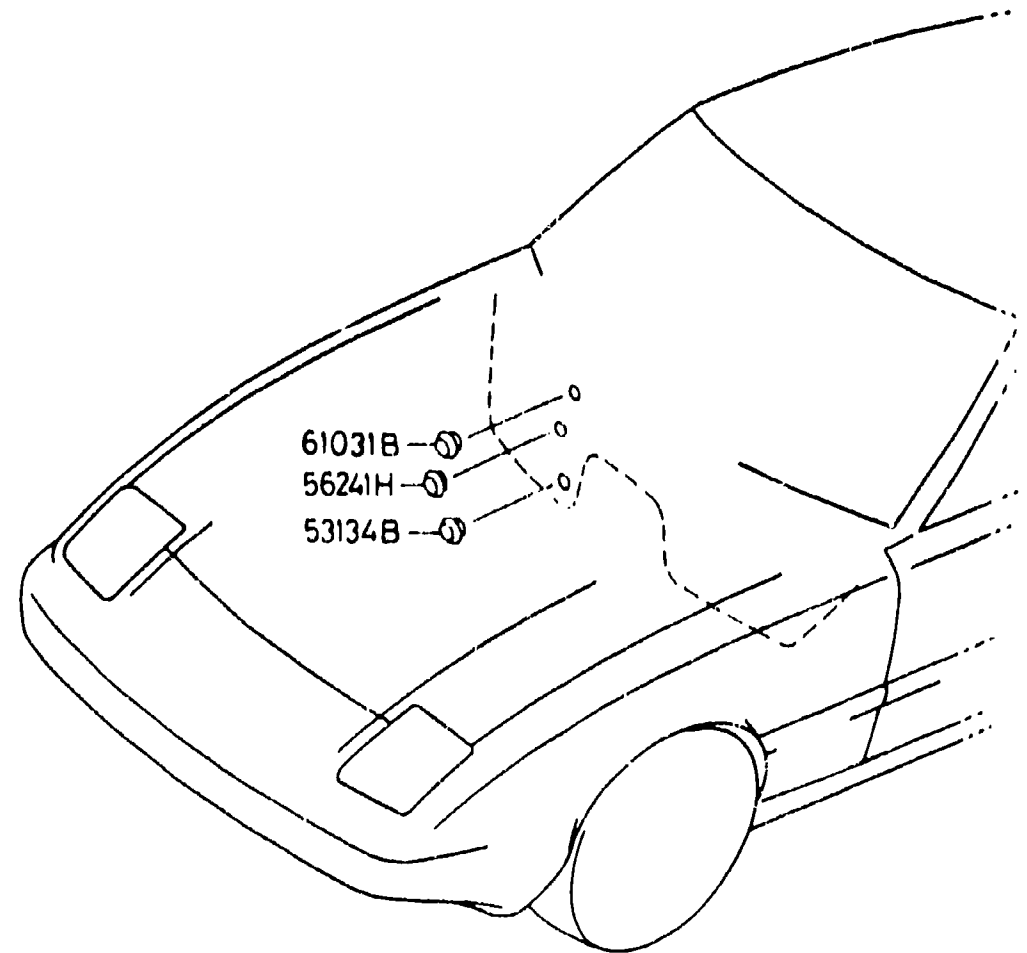
COMPONENTS OF FA55-61-140A



ITEM NO.	D-CODE	DESCRIPTION	PART NO	QTY	MODEL/DESCRIPTION	REMARKS
76 124		GASKET	8871-76-465	1		
76 421C		COVER, MOTOR	FA55-76-478	1		
76 423		CASE, FAN	FA55-76-450	1		
76 424		MOTOR, FAN	FA55-76-453	1		
76 424A		MOTOR, FAN	8871-76-456	1		
76 425		CASE	FA55-76-451	1		
76 426		SHUTTER	8871-76-459	1		
76 430A		ACTUATOR	FA55-76-480	1		
76 433		RESISTOR	FA55-76-457	1		
76 434		CLIP	8871-76-466	4		
76 453		FLANGE	FA55-76-452	1		
76 455A		GASKET	FA55-76-454	1		
76 464A		GASKET	8871-76-458	1		
76 466A		CLAMP	8572-76-517	1		
76 467		SHAFT	FA55-76-468	1		
76 467A		WIRING, BLOWER	FA55-76-467	1		
76 474A		WASHER, PLAIN	FA55-76-474	1		
76 481A		BUSHING	FA55-76-481	1		
76 482		SHAFT	FA55-76-482	1		
76 483		HOLDER, COUPLER	FA55-76-483	1		
76 761		SCREW	FA55-76-455	3		

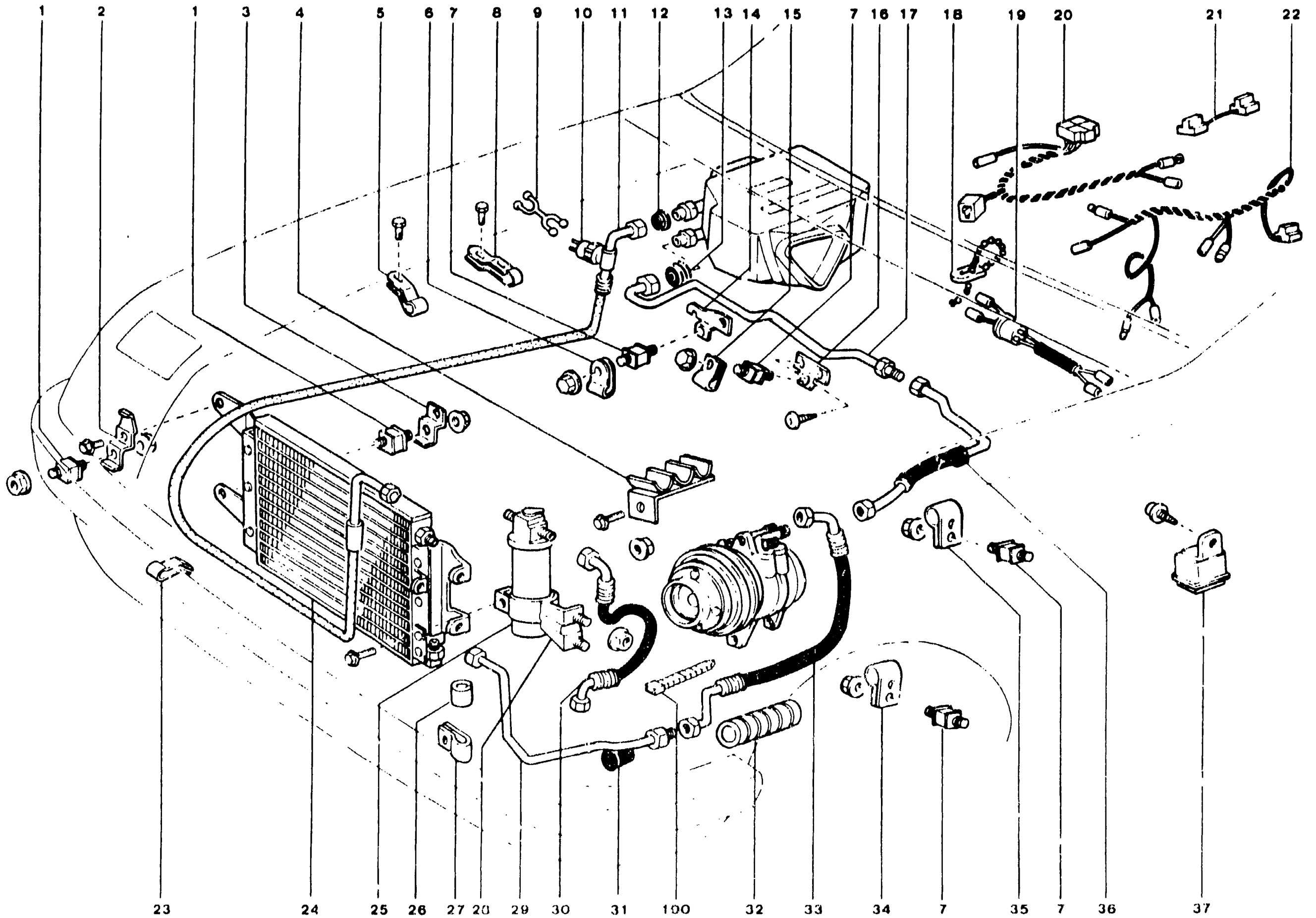
6125B-1 AIR CONDITIONER

ITEM NO.	D-CODE	DESCRIPTION	PART NO	QTY	MODEL/DESCRIPTION	REMARKS
	53 134B	RUBBER, DUST SEAL	0187-53-134	1	(USE W/O A/C)	
	56 241H	PLUG, DRAIN	0118-56-241	1	(USE W/O A/C)	
	61 031B	PLUG	1708-61-031	1	(USE W/O A/C)	



SEE SERVICE BULLETINS 006/85 & 008/85, CAT. 16 FOR A/C INFO.

6130B-1 AIR CONDITIONER
(NIPPONDENSO)



**6130B-2 AIR CONDITIONER
(NIPPONDENSO)**

SEE INSTRUCTION COLUMN FOR A/C INFORMATION

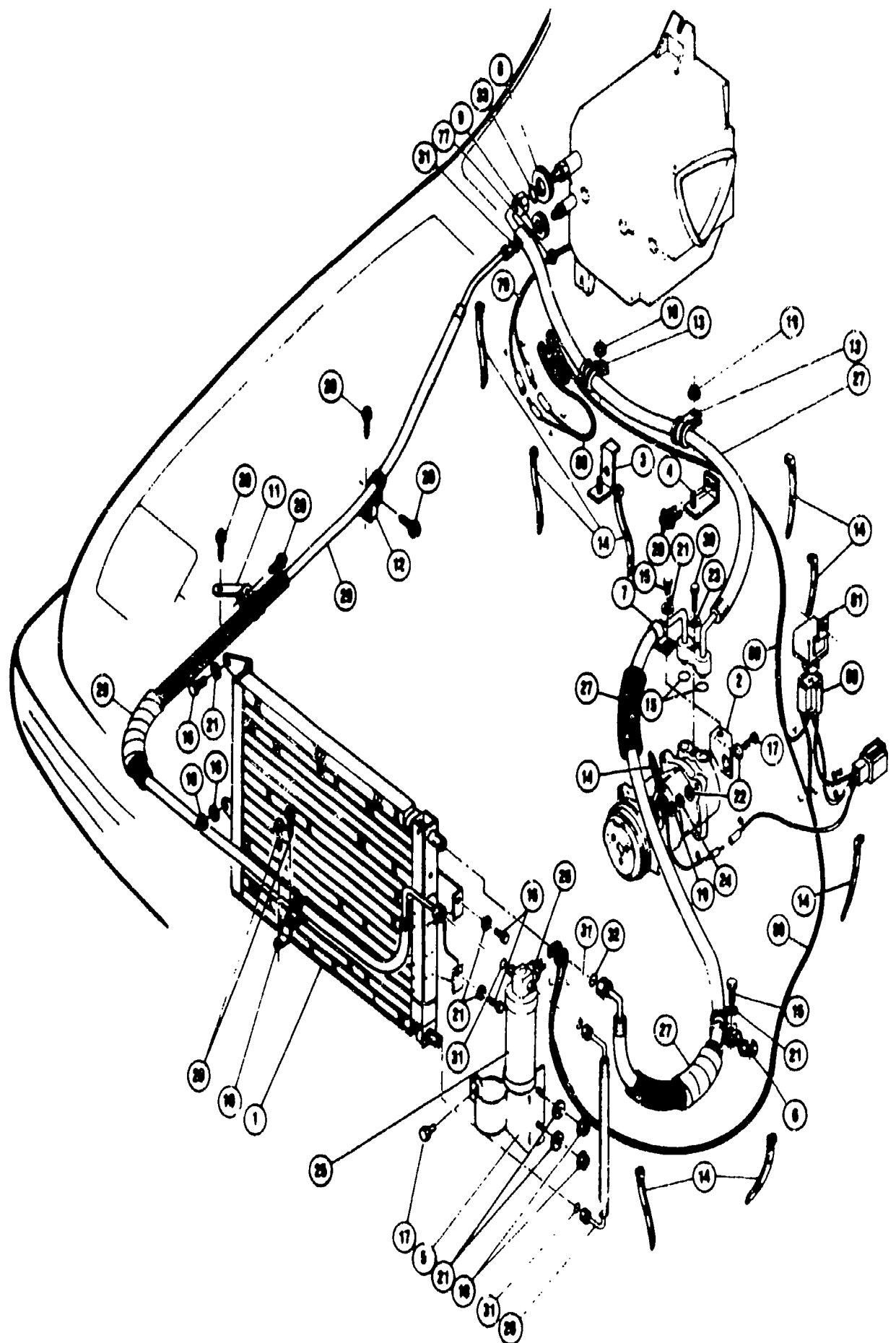
SEE ILLUSTRATION/S AT FRAME 2 - M 7

ITEM NO	D-CODE	DESCRIPTION	PART NO	QTY	MODEL/DESCRIPTION	REMARKS
1		BOLT W RUBBER CUSHION	0000-68-2530-10	4		
2		BRACKET, CONDENSER	0000-68-2047-30	1		
3			0000-68-2032-61	1		
4		CLAMP, CODE	0000-68-9056-90	1		
5		CLAMP, HOSE	0000-68-8033-41	1		
6		CLAMP, TUBE	0000-68-8040-30	1		
7		BOLT W RUBBER CUSHION	0000-68-2530-60	4		
8		CLAMP, HOSE	0000-68-8033-30	1		
9		CLAMP, WIRE HARNESS	0000-68-9014-10	1		
10		SWITCH, PRESSURE	0000-68-4000-80	1		
11		HOSE, LIQUID	0000-68-3024-91	1		
12		GROMMET RUBBER	0000-68-2081-90	1		
13			0000-68-2081-80	1		
14		BRACKET, TUBE CLAMP	0000-68-2036-01	1		
15		CLAMP, TUBE	0000-68-8033-62	1		
16		BRACKET, TUBE CLAMP	0000-68-2035-22	1		
17		TUBE SUCTION	0000-68-1084-82	1		
18		CLAMP, WIRE HARNESS	0000-68-9119-70	4		
19		WIRE HARNESS, PRESSURE SWITCH	0000-68-2041-80	1		
20		WIRE HARNESS, A C	0000-68-1036-72	1		
21			0000-68-2094-30	1		
23			0000-68-1036-61	1		
23		CLAMP HOSE	0000-68-8041-50	1		
24		CONDENSER	0000-68-0072-60	1		
25		RECEIVER	0000-68-1002-20	1		
26		CUSHION RUBBER	0000-68-1296-20	1		
27		CLAMP TUBE	0000-68-8064-40	1		
28		HOLDER RECEIVER	0000-68-9039-60	1		
29		TUBE DISCHARGE	0000-68-8056-00	1		
30		HOSE LIQUID	0000-68-3025-90	1		
31		BUSHING RUBBER	0000-68-2510-80	1		
32		PROTECTOR HOSE	0000-68-1285-00	1		
33		HOSE DISCHARGE	0000-68-2074-33	1		
34		CLAMP HOSE	0000-68-8033-02	1		
35			0000-68-8033-22	1		
36		HOSE SUCTION	0000-68-4080-43	1		
37		RELAY	0000-68-0050-30	1		
100		CLAMP	0000-68-8153-00	1	(85 ONLY)	

SECTION INDEX -- BODY

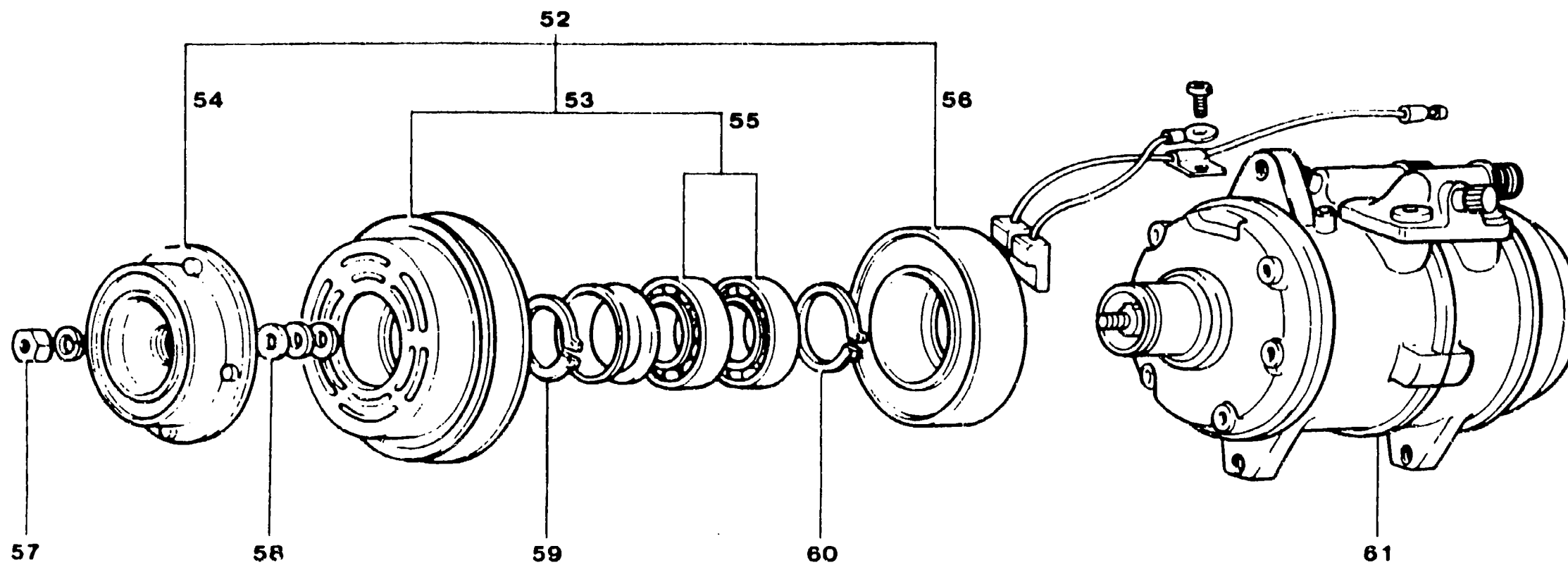
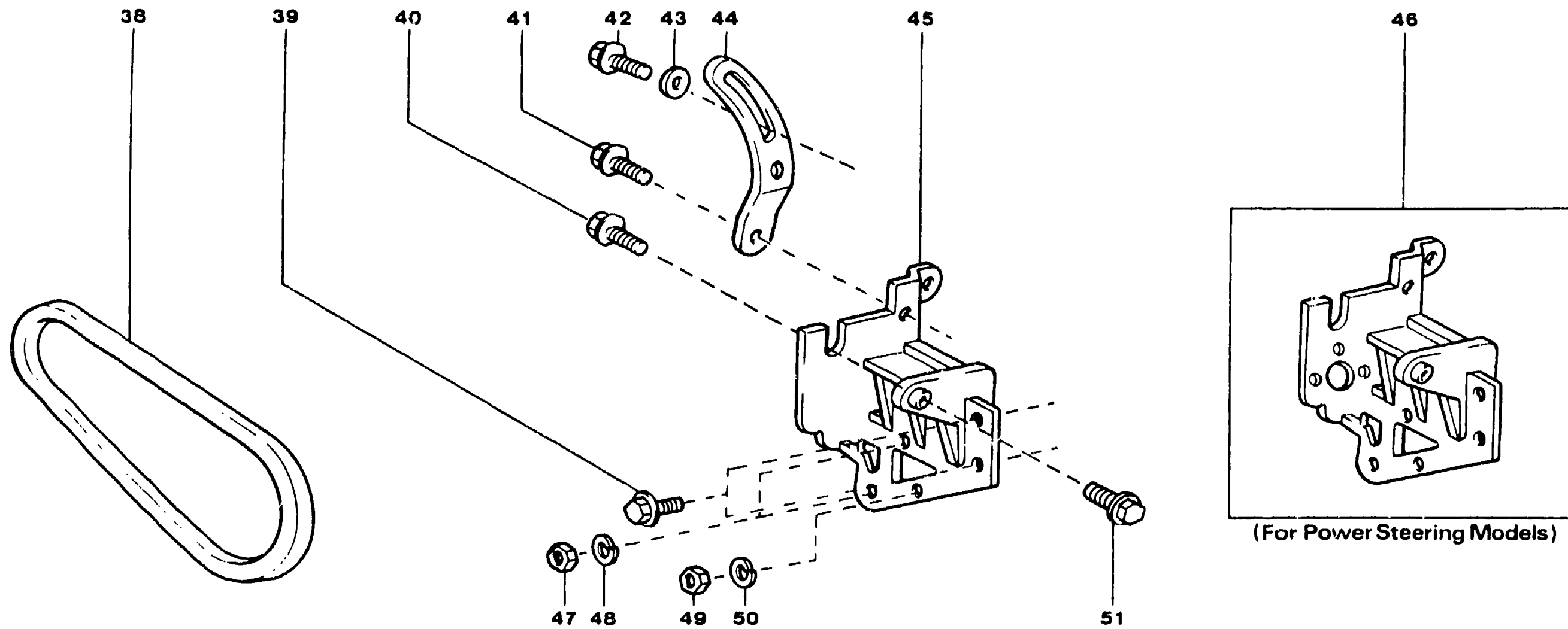
STARTING LOCATION	SECT NO.	SECTION NAME	STARTING LOCATION	SECT NO.	SECTION NAME	STARTING LOCATION	SECT NO.	SECTION NAME
2-C 3	0900A	KEY SETS	2-I 7	6110A	HEATER UNIT COMPONENTS	2-H 10	6703A	WIRE HARNESS (DOOR, FLOOR CEILING)
2-D 3	5000A	FRONT BUMPER	2-J 7	6115A	HEATER CONTROLS COMPONENTS	2-I 10	6704A	WIRE HARNESS CLAMPS
2-E 3	5005A	RADIATOR GRILLE	2-K 7	6120A	HEATER BLOWER COMPONENTS	2-J 10	6720A	WINDSHIELD WASHER
2-F 3	5010A	REAR BUMPER	2-L 7	6125B	AIR CONDITIONER	2-K 10	6730A	WINDSHIELD WIPER
2-G 3	5030A	WINDOW MOULDINGS	2-M 7	6130B	AIR CONDITIONER (NIPPONDENSO)	2-L 10	6740A	WIPER MOTOR COMPONENTS (FRONT)
2-H 3	5040A	BODY MOULDINGS				2-M 10	6750A	WINDOW WIPER & WASHER (REAR) (GSL, GSL-SE)
2-I 3	5060A	SIDE PROTECTORS	2-C 8	6132B	AIR CONDITIONER (WYNN'S)	2-N 10	6760A	WINDOW WIPER MOTOR COMPONENTS (REAR) (GSL, GSL-SE)
2-J 3	5100A	HEAD LAMPS	2-D 8	6140B	A C COMPRESSOR BRACKETS (NIPPONDENSO)	2-C 11	6800A	CEILING TRIM
2-K 3	5103A	HEAD LAMP RETRACTOR	2-F 8	6142B	A C COMPRESSOR COMPONENTS (WYNN'S)	2-D 11	6820A	PILLAR TRIM
2-L 3	5105A	FRONT COMBINATION LAMPS	2-H 8	6145B	A C COMPRESSOR COMPONENTS (NIPPONDENSO)	2-F 11	6840A	TRIM & SCUFF PLATE
2-M 3	5110A	REAR COMBINATION LAMPS	2-J 8	6150B	COOLING UNIT (NIPPONDENSO)	2-I 11	6860A	FLOOR MATS & PADS
2-N 3	5120A	LICENSE LAMPS	2-L 8	6152B	COOLING UNIT (WYNN'S)	2-J 11	6870A	SERVICE TOOLS
2-C 4	5125A	INTERIOR LAMPS	2-M 8	6230A	BACK DOOR MECHANISM	2-K 11	6900A	VISOR ASSIST HANDLE & MIRRORS
2-D 4	5170A	ORNAMENTS	2-N 8	6300A	WINDOW GLASSES	2-N 11	6930A	CAUTION PLATES & LABEL
2-E 4	5180A	COWL & EXTRACTOR GRILLES						
2-F 4	5230A	HOOD	2-C 9	6330A	SUNROOF (GSL, GSL-SE)			
2-G 4	5310A	BODY PANELS (FRONT)	2-D 9	6600A	SWITCH & RELAY (ENGINE)			
2-H 4	5320A	BODY PANELS (FENDER & WHEEL APRON)	2-F 9	6610A	DASHBOARD SWITCHES (MANUAL OPERATING)			
2-I 4	5330A	BODY PANELS (DASH & COWL PANEL)	2-G 9	6611A	COMBINATION SWITCH			
2-J 4	5340A	BODY PANELS (SIDE)	2-H 9	6612A	CLUSTER SWITCH (RIGHT SIDE)			
2-K 4	5360A	BODY PANELS (ROOF)	2-I 9	6613A	CLUSTER SWITCH (LEFT SIDE)			
2-L 4	5370A	BODY PANELS (FLOOR)	2-J 9	6615A	POWER WINDOW SWITCH			
2-M 4	5390A	FLOOR ATTACHMENTS	2-K 9	6620A	DOOR, PARKING LAMP & KICKDOWN SWITCHES			
2-C 5	5500A	DASHBOARD EQUIPMENT	2-L 9	6630A	RELAY & CPU (BODY)			
2-F 5	5520A	METER HOOD	2-M 9	6635A	HORN			
2-G 5	5530A	SPEEDOMETER CABLE	2-N 9	6640A	AUTO CRUISE CONTROLS			
2-H 5	5540A	METERS	2-C 10	6680A	AUDIO SYSTEMS (RADIO & TAPE DECK)			
2-I 5	5550A	CLUSTER SWITCH COVER	2-D 10	6682A	AUDIO SYSTEMS (ANTENNA & SPEAKER)			
2-J 5	5560A	DASHBOARD & RELATED	2-E 10	6700A	WIRE HARNESS (FRONT & REAR)			
2-L 5	5570A	CONSOLE	2-F 10	6701A	WIRE HARNESS (ENGINE & TRANSMISSION)			
2-N 5	5580A	VENTILATOR	2-G 10	6702A	WIRE HARNESS (DASHBOARD)			
2-C 6	5700A	FRONT SEAT						
2-H 6	5790A	SEAT BELTS						
2-I 6	5800A	FRONT DOOR						
2-J 6	5830A	FRONT DOOR MECHANISMS						
2-C 7	5840A	FRONT DOOR TRIM & RELATED PARTS						
2-H 7	6100A	H. TER						

**6132B-1 AIR CONDITIONER
(WYNN'S)**



ITEM NO.	D-CODE	DESCRIPTION	PART NO	QTY	MODEL/DESCRIPTION	REMARKS
1		CONDENSER ASSEMBLY	0000-67-A10A-4A	1		
2		BRACKET, HOSE CLAMP	0000-67-0012-72	1		
3			0000-67-A21A-4A	1		
4			0000-67-A22A-4A	1		
5		BRACKET, RECEIVER-DRIER	0000-67-A92A-4A	1		
6		CLAMP, HOSE	0000-67-1970-62	1		
7			0000-67-1970-63	1		
8		GROMMET	0000-67-A43A-6F	1		
9			0000-67-A44A-6F	1		
10		CLIP	0000-67-A40A-4A	1	NO. 1	
11			0000-67-A41A-4A	1	NO. 2	
12			0000-67-A42A-4A	1	NO. 3	
13			0000-67-A43A-4A	1		
14		TY-RAP	0000-67-X60A-00	1	6 IN.	
15		BOLT, HEX, ZINC	0000-67-1997-86	1	6MM X 16MM	
18			0000-67-1997-16	4	6MM X 20MM	
17		BOLT, HEX	0000-67-5715-75	1	10MM X 1.25MM X 30MM	
18		NUT, 6MM FLANGE, ZINC	0000-67-X20M-00	5		
19		NUT, 10MM X 1.25, HEX	0000-67-1983-77	1		
20		SCREW, TAPPING HWH, BLACK	0000-67-X30A-04	8	# 10 X 1/2	
21		FLATWASHER, 6MM, ZINC	0000-67-6730-76	7		
22		FLATWASHER, 10MM, ZINC	0000-67-1981-83	2		
23		FLATWASHER, 10MM, W/ .708 OD	0000-67-1983-82	1		
24		LOCKWASHER, 10MM	0000-67-X40M-03	1		
25		RECEIVER-DRIER	0000-67-A91A-4A	1		
26		SWITCH, LOW PRESSURE, CUT-OFF	0000-67-A93A-3F	1		
27		HOSE BLOCK ASSEMBLY	0000-67-E10A-4A	1		
28		HOSE, LIQUID 18 INCH	0000-67-E20A-4A	1		
29		HOSE LIQUID 55.91 INCHES	0000-67-E30A-4A	1		
30		BOLT, COMP. (USE W/67-D00A-3A)	0000-67-6716-50	1	10MM X 1.0 X 35MM	
30		BOLT, COMP. (USE W/67-D00B-3A)	0000-67-X10M-25	1	10MM X 1.25 X 40MM	
31		O-RING	0000-67-0123-17	4	NO. 6	
32			0000-67-0123-18	2	NO. 8	
33			0000-67-0123-19	1	NO. 10	

6140B-1 A/C COMPRESSOR/BRACKETS
(NIPPONDENSO)



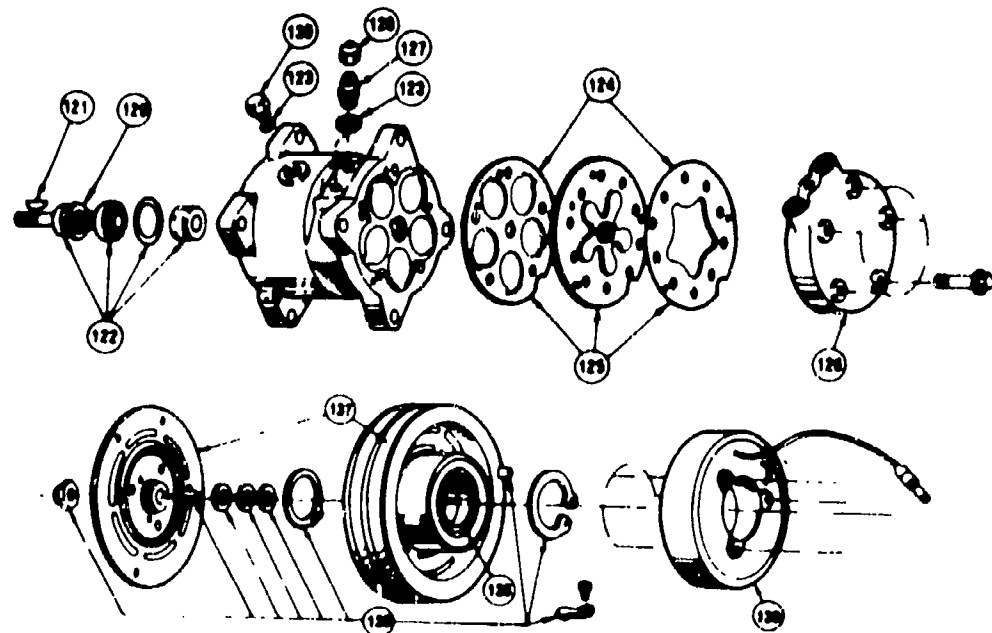
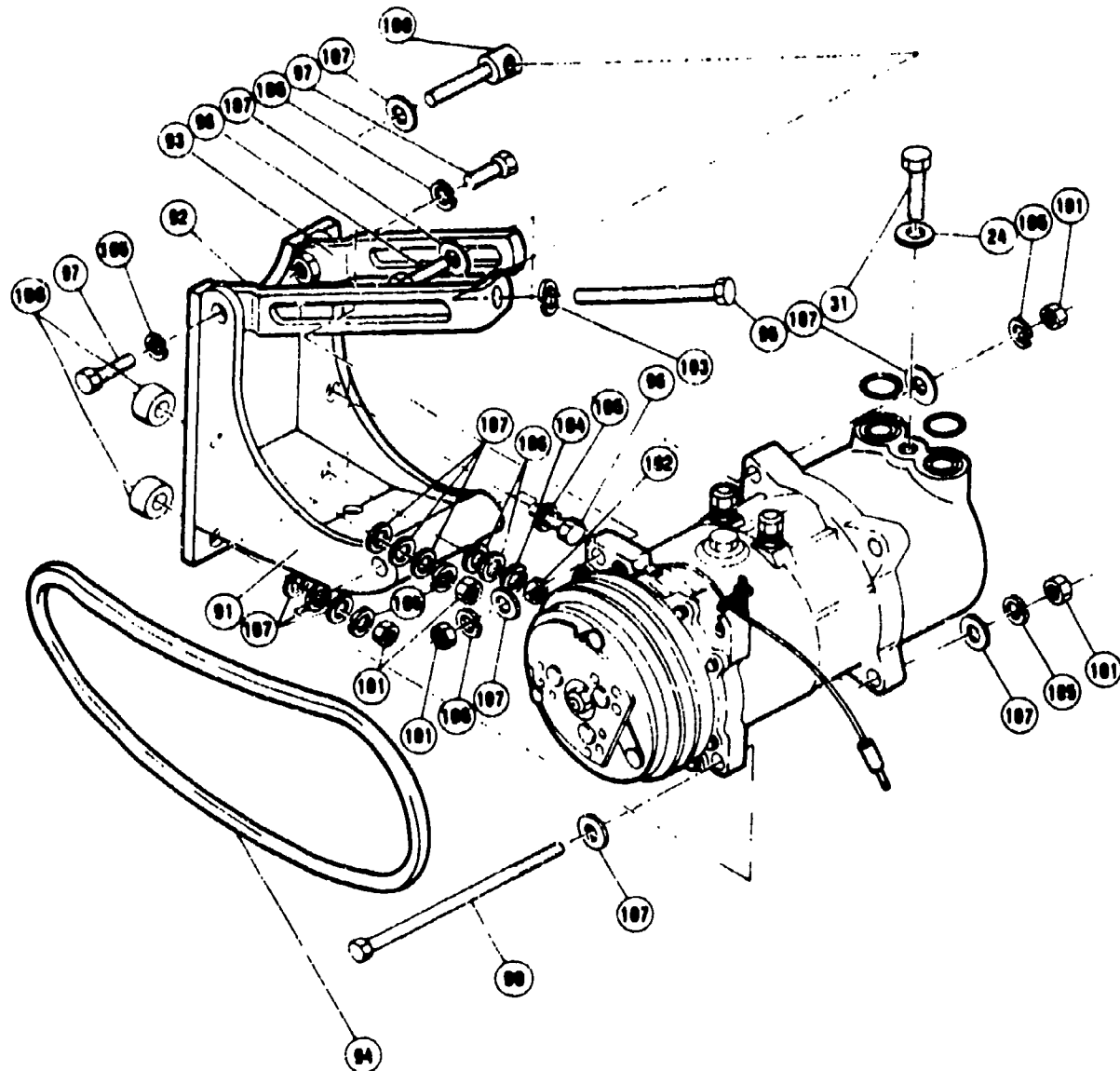
**6140B-2 A/C COMPRESSOR/BRACKETS
(NIPPONDENSO)**

SEE INSTRUCTION COLUMN FOR A/C INFORMATION

SEE ILLUSTRATION/S AT FRAME 2 - D 8

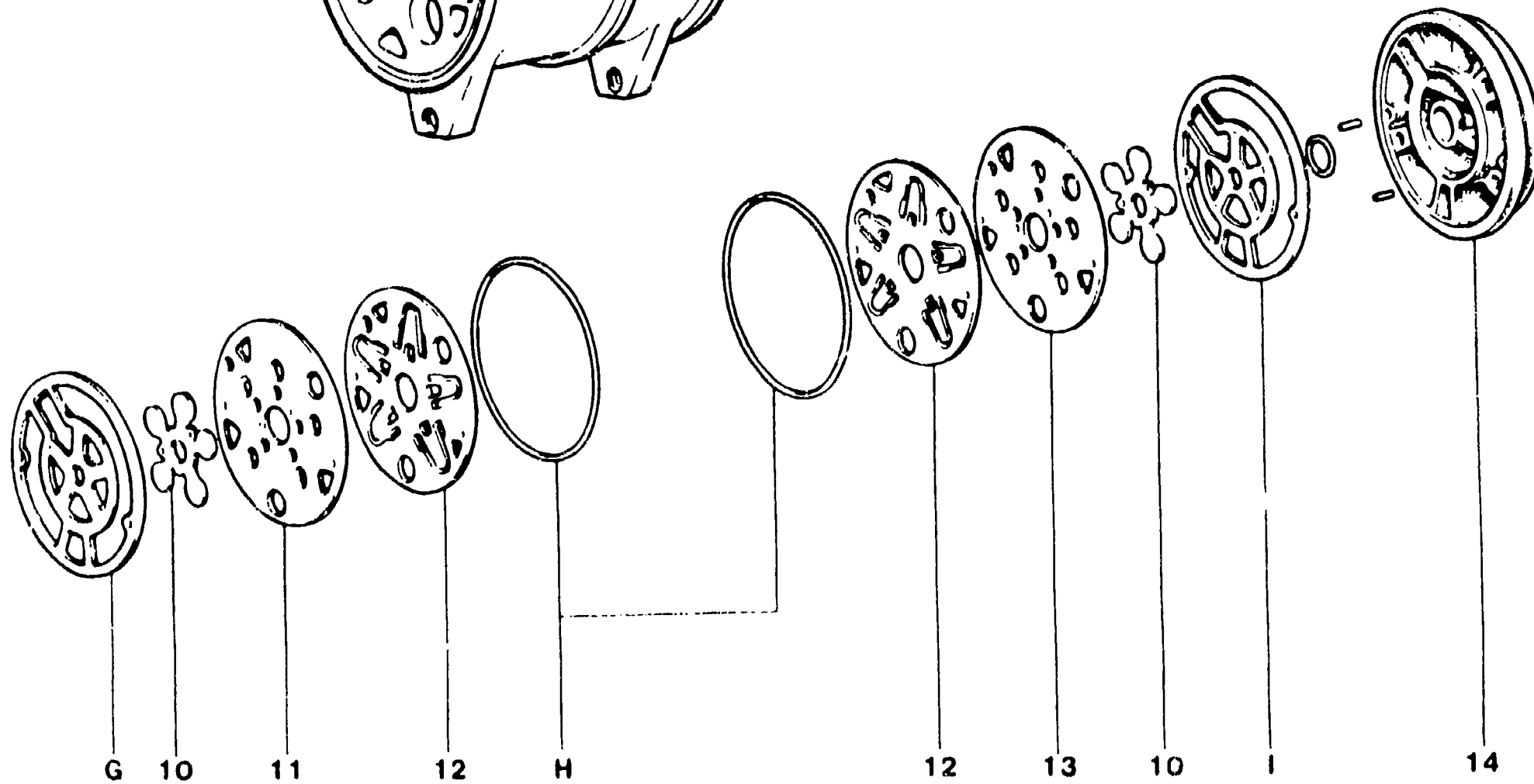
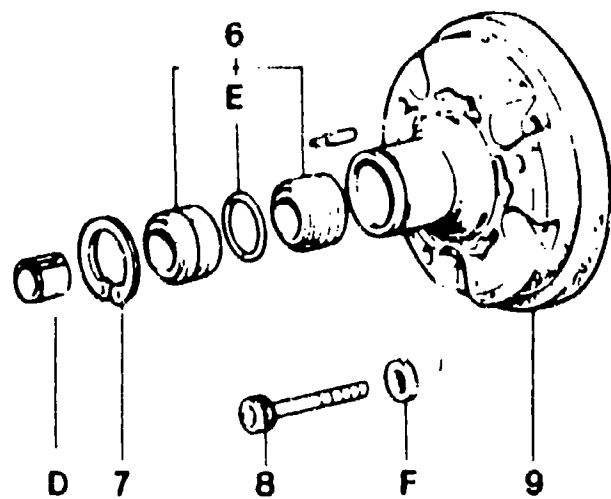
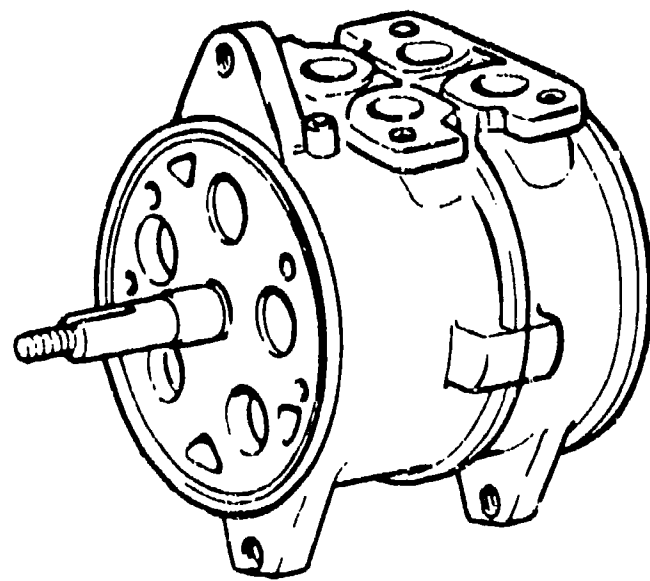
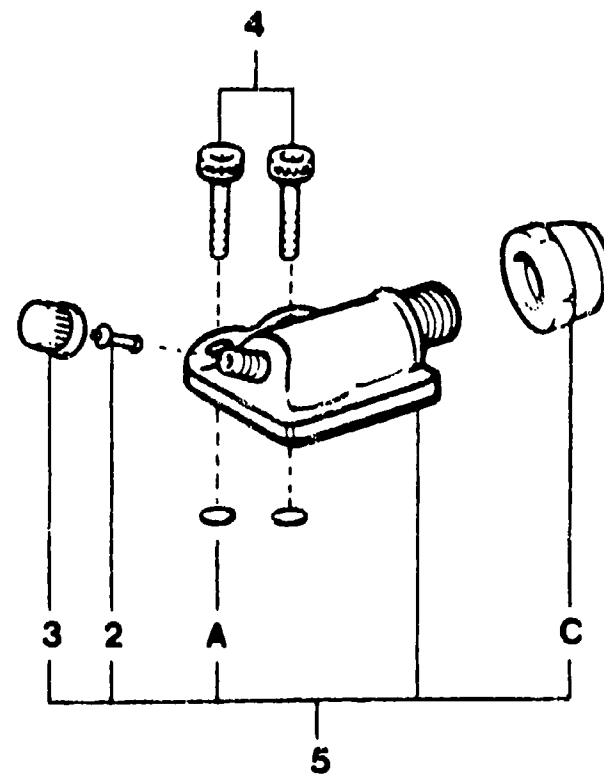
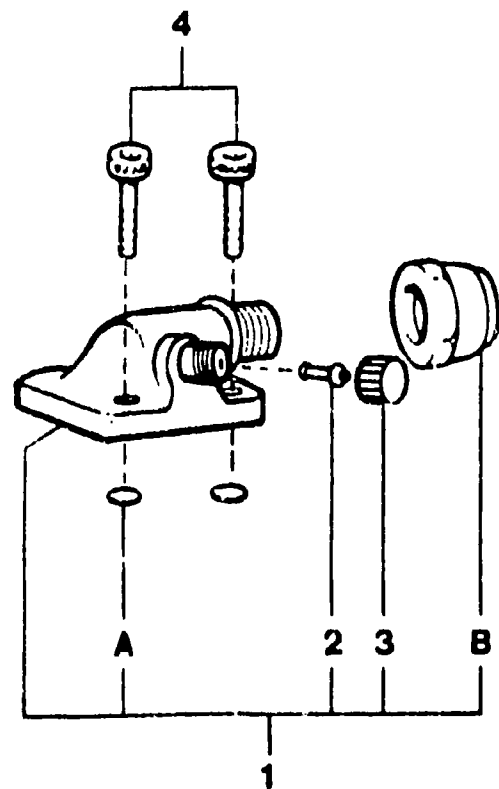
ITEM NO.	D-CODE	DESCRIPTION	PART NO.	QTY	MODEL/DESCRIPTION	REMARKS
38		BELT, COMPRESSOR DRIVE	N249-15-906B	1		(EASTERN REGIONS)
			0000-68-1111-05	1		(WESTERN REGIONS)
39		BOLT, W/ WASHER	0300-68-8103-01	1		
40			0000-68-7104-01	1		
41			0000-68-8102-51	1		
42			0000-68-7104-01	1		
43		WASHER, PLATE	0000-68-1154-60	1		
44		BRACKET, COMPRESSOR	0000-68-6324-52	1		
45		MOUNTING, COMPRESSOR	0000-68-6056-31	1	W/O P/S	
46			N249-15-925C	1	W/ P/S	
47		NUT, HEX	0000-68-6100-81	2		
48		WASHER, SPRING	0000-68-8100-01	2		
49		NUT, HEX	0000-68-5026-10	1		
50		WASHER, SPRING	0000-68-8120-01	1		
51		BOLT, W/ WASHER	0000-68-8105-01	1		
52		CLUTCH ASSY., MAGNETIC	0000-68-0032-80	1		
53		ROTOR ASSY.	0000-68-5007-80	1		
54		PLATE, PRESSURE	0000-68-1005-30	1		
55		BEARING	0000-68-0026-70	2		
56		STATOR ASSY.	0000-68-1018-90	1		
57		NUT	0000-68-0086-51	1		
58		WASHER, ADJUSTING	0000-68-1326-00	1		
58			0000-68-1326-10	1		
58			0000-68-1127-50	1		
59		RING, SNAP	0000-68-7006-40	1		
60			0000-68-7003-10	1		
61		COMPRESSOR, ASSY	0000-68-0038-91	1		

6142B-1 A/C COMPRESSOR COMPONENTS (WYNN'S)



ITEM NO.	D-CODE	DESCRIPTION	PART NO.	QTY	MODEL/DESCRIPTION	REMARKS
		COMPRESSOR MOUNT KIT (5444)				
91		BRACKET, COMPRESSOR MTG.	0000-67-C10A-4A	1		
92		BRACKET, ADJUSTMENT NO. 1	0000-67-C21A-4A	1		
93		BRACKET, ADJUSTMENT NO. 2	0000-67-C22A-4A	1		
94		BELT, DRIVE (17385)	0000-67-5409-03	1		
95		SACK KIT, BOLT				
95		BOLT, ZINC	0000-67-X10M-13	1	8MM X 1.25 X 85MM	
96			0000-67-1983-70	1	10MM X 1.25 X 20MM	
97			0000-67-1981-79	2	10MM X 1.25 X 25MM	
98			0000-67-X10M-25	1	10MM X 1.25 X 40MM	
99			0000-67-X10M-05	1	10MM X 1.25 X 125MM	
100		BOLT, ADJUSTING	0000-67-X10A-06	1		
101		NUT, 10MM X 1.25, ZINC	0000-67-1983-77	5		
102		NUT, 12MM X 1.50, ZINC	0000-67-1983-76	1		
103		LOCKWASHER, 5/16, ZINC	0000-67-1974-92	1		
104		LOCKWASHER, 1/2, ZINC	0000-67-X40A-01	1		
105		LOCKWASHER, 10MM, ZINC	9997-11-000	8		
106		FLATWASHER, 1/2, SAE	0000-67-X40A-02	2		
107		FLATWASHER, 10MM, 22MM OD, ZINC	0000-67-X40M-22	12		
108		SPACER	0000-67-X50A-00	2		
		COMPRESSOR CLUTCH	0000-67-D00B-3A	1	SANKYO 9165A	
		COMPRESSOR	0000-67-D10A-3A	1	SANKYO 1653	
121		SHAFT KEY	0000-67-D11A-3A	1		
122		SEAL KIT	0000-67-0124-26	1		
123		O-RING	0000-67-0123-40	1	PKG. OF 10	
124		GASKET, KIT	0000-67-D13B-3B	1		
125		VALVE PLATE ASSEMBLY	0000-67-0126-23	1		
		<AN>	0000-67-D14A-3B	1		
126		CYLINDER HEAD	0000-67-0127-08	1		
127		SERVICE PORT W/ VALVE	0000-67-D16A-3A	2		
128		SCHRADER VALVE CAP	0000-67-D17A-3A	1		
129		SNAP RING-SEAL SEAT	0000-67-D18A-3A	1		
130		OIL FILTER PLUG	0000-67-D19A-3A	1		
131		O-RING, SAE 114 (DISCH)	0000-67-0123-38	1		
132		O-RING, SAE 116 (SUCT'N)	0000-67-0123-39	1		
		CLUTCH	0000-67-D20A-3A	1	5 IN.	
136		ACCESSORY, KIT	0000-67-D21A-3A	1		
137		FRONT PLATE & ROTOR	0000-67-D22A-3A	1		
138		BEARING	0000-67-D23A-6A	1		
139		FIELD COIL	0000-67-D24A-3A	1		

6145B-1 A/C COMPRESSOR COMPONENTS (NIPPONDENSO)



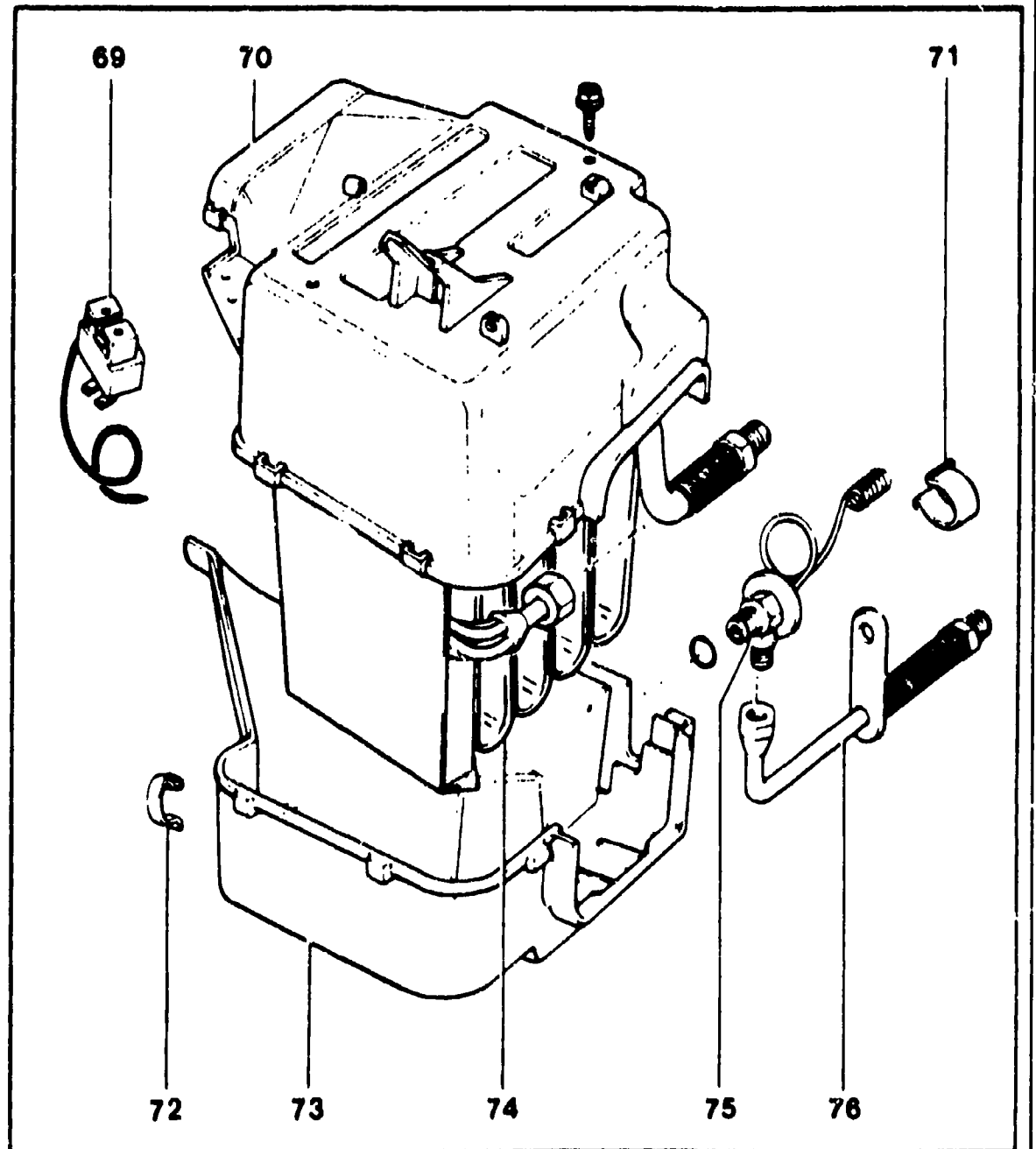
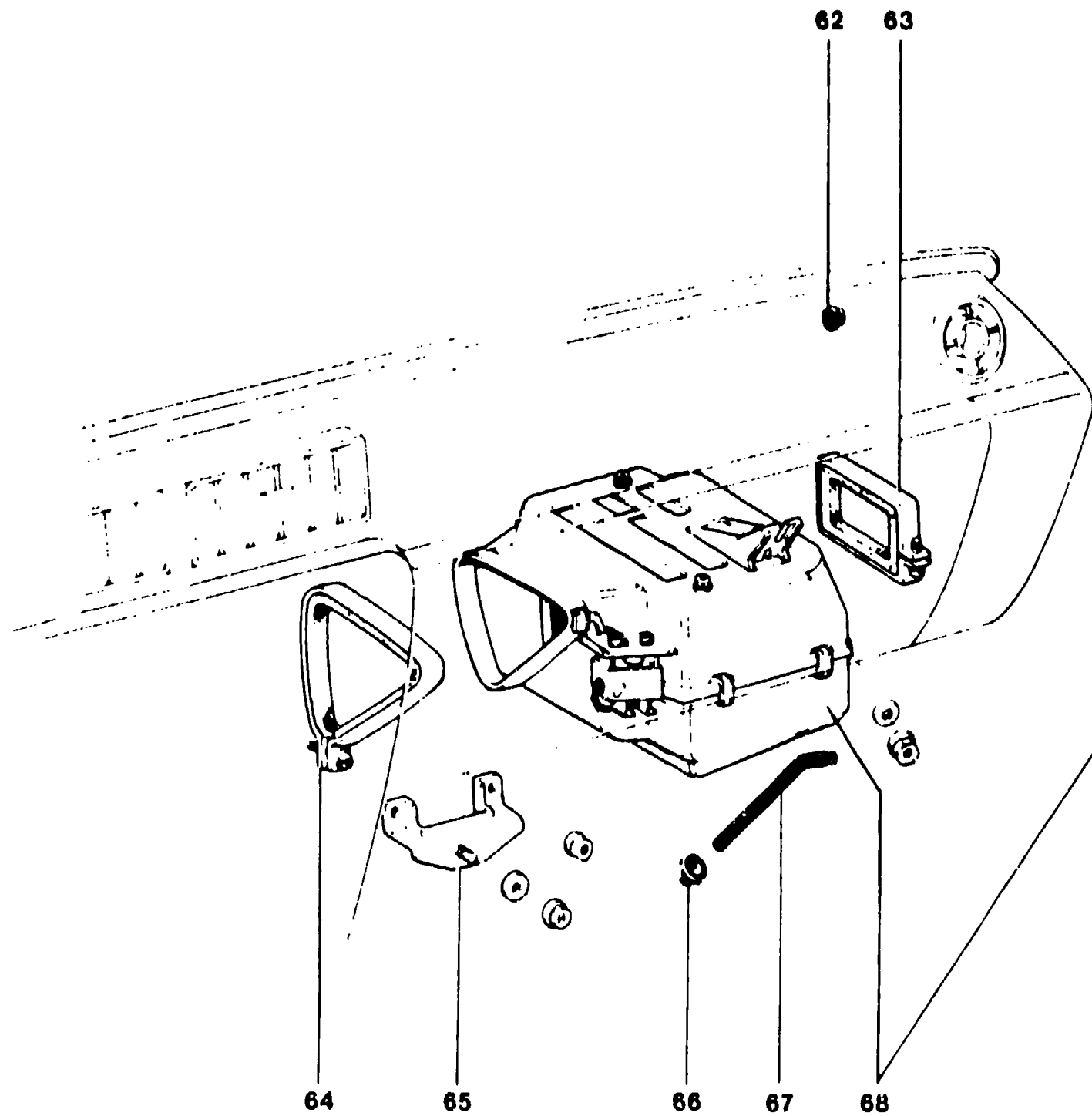
**6145B-2 A/C COMPRESSOR COMPONENTS
(NIPPONDENSO)**

SEE INSTRUCTION COLUMN FOR A/C INFORMATION

ITEM NO.	D-CODE	DESCRIPTION	PART NO.	QTY	MODEL/DESCRIPTION	REMARKS
		GASKET KIT, OVERHAUL	0000-68-9904-21	1	FROM A TO I	
1		VALVE ASSY., SUCTION SERVICE	0000-68-3805-91	1		
2		VALVE, SCHRADER	0000-68-1400-10	2		
3		CAP, SERVICE VALVE	0000-68-3300-30	2		
4		BOLT, SERVICE VALVE	0000-68-4601-70	4		
5		VALVE ASSY., DISCHARGE SERVICE	0000-68-3913-60	1		
6		SEAL ASSY., SHAFT	0000-68-4002-11	1		
7		RING, SNAP	0000-68-730-00	1		
8		BOLT, THROUGH	0000-68-4226-50	5		
9		HOUSING, FRONT	0000-68-0103-40	1		
10		VALVE, DISCHARGE REED	0000-68-7500-70	2		
11		PLATE ASSY., FRONT VALVE	0000-68-7101-01	1		
12		VALVE, SUCTION REED	0000-68-7401-20	2		
13		PLATE ASSY., REAR VALVE	0000-68-7101-11	1		
14		HOUSING, REAR	0000-68-0103-50	1		

SEE ILLUSTRATION/S AT FRAME 2 - G 8

6150B-1 COOLING UNIT
(NIPPONDENSO)



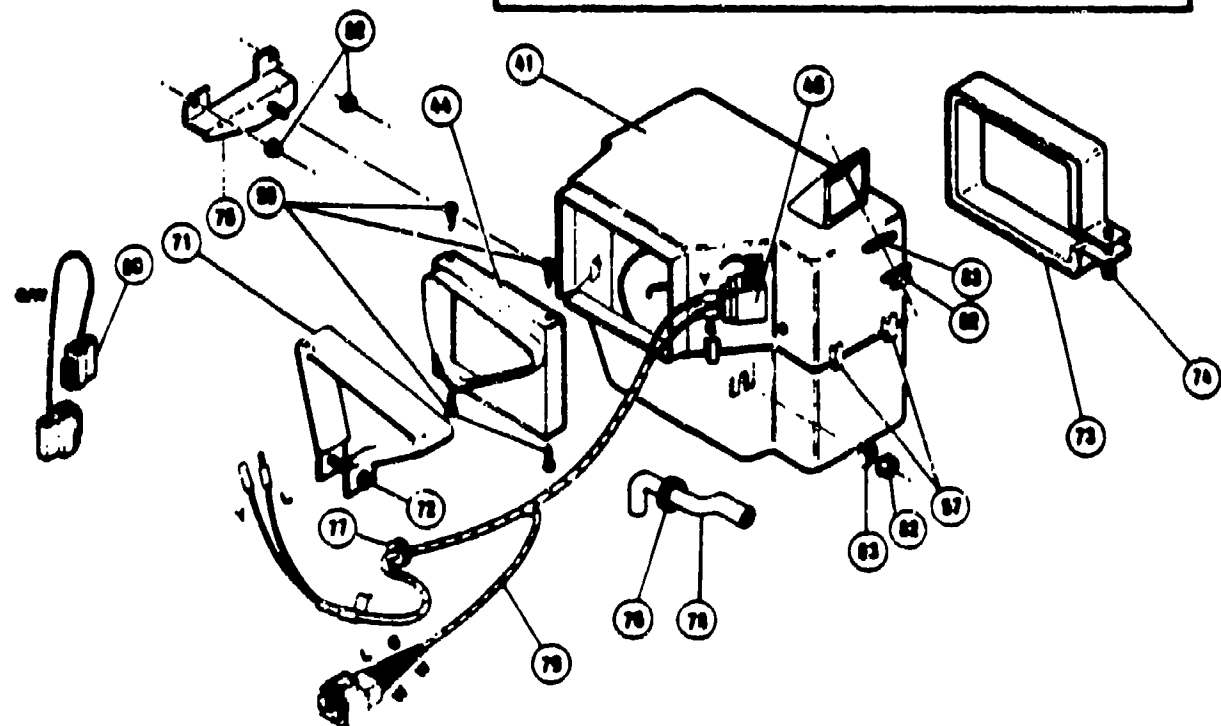
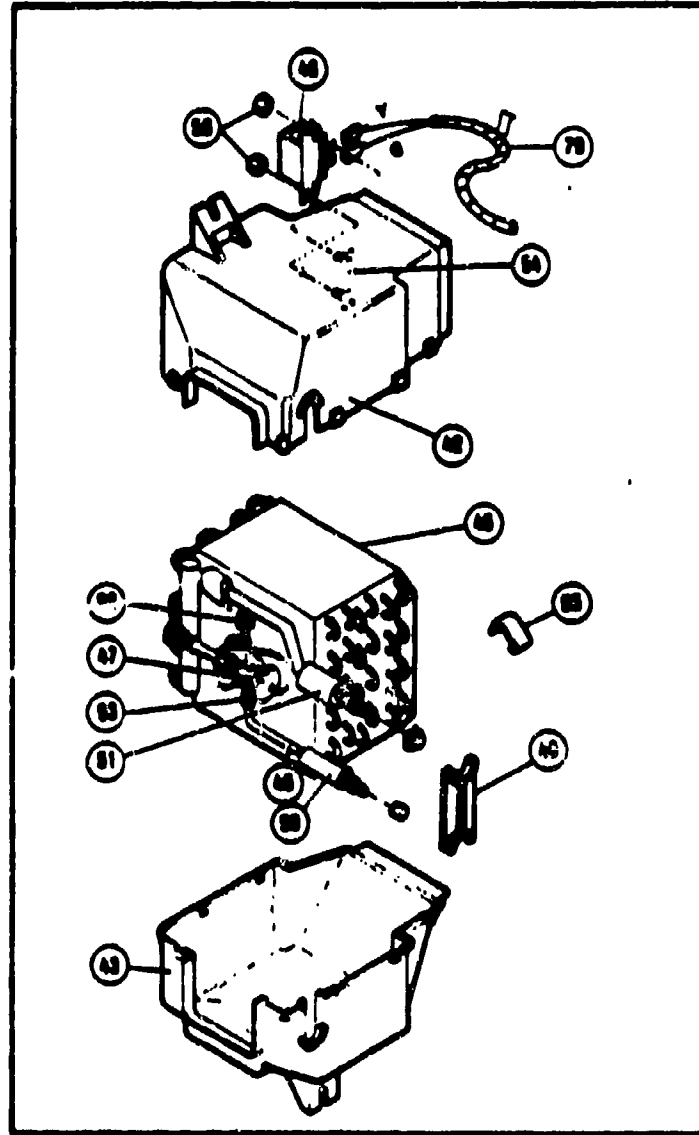
**6150B-2 COOLING UNIT
(NIPPONDENSO)**

SEE INSTRUCTION COLUMN FOR A/C INFORMATION

ITEM NO.	D-CODE	DESCRIPTION	PART NO.	QTY	MODEL/DESCRIPTION	REMARKS
62		GROMMET, WIRE HARNESS	0000-68-8404-80	1		
63		BAND, AIR DUCT	0000-68-9021-90	1		
64			0000-68-9015-61	1		
65		BRACKET, COOLING UNIT	0000-68-6042-80	1		
66		GROMMET, DRAIN HOSE	0000-68-2067-80	1		
67		HOSE, DRAIN	0000-68-1107-31	1		
68		UNIT ASSY., COOLING	0000-68-CJ75-40	1		
69		THERMOSTAT	0000-68-5002-80	1		
			< A > 0000-68-500-80	1		
70		CASE, COOLING UNIT UPPER	0000-68-2033-80	1		
71		HOLDER, REMOTE BULB	0000-68-1100-40	1		
72		SPRING, HOLDING	0000-68-3201-20	8		
73		CASE, COOLING UNIT LOWER	0000-68-2033-90	1		
74		EVAPORATOR	0000-68-0035-40	1		
75		VALVE, EXPANSION	0000-68-0006-00	1		
76		TUBE, LIQUID	0000-68-9092-30	1		

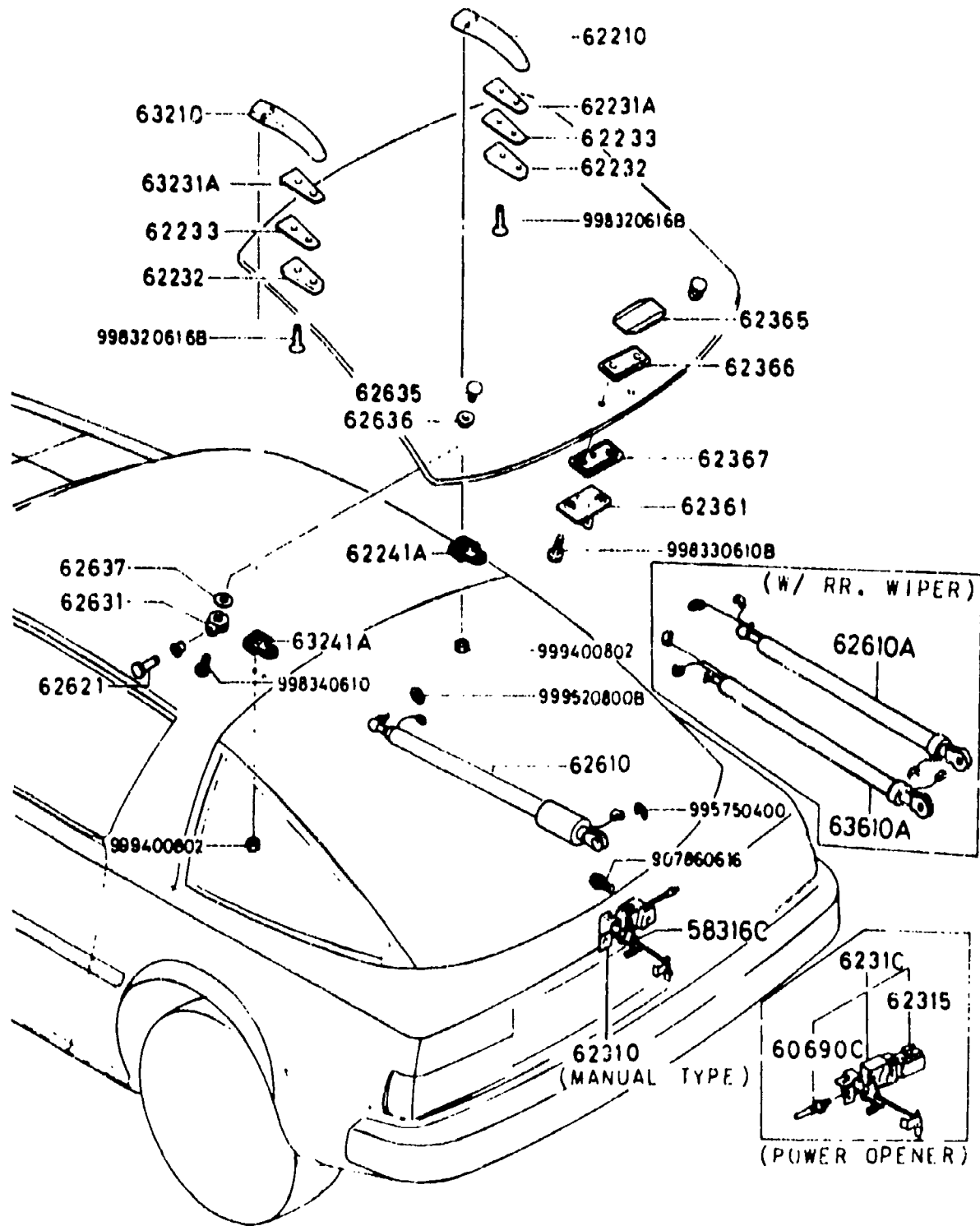
SEE ILLUSTRATION/S AT FRAME 2 - 1 8

**6152B-1 COOLING UNIT
(WYNN'S)**



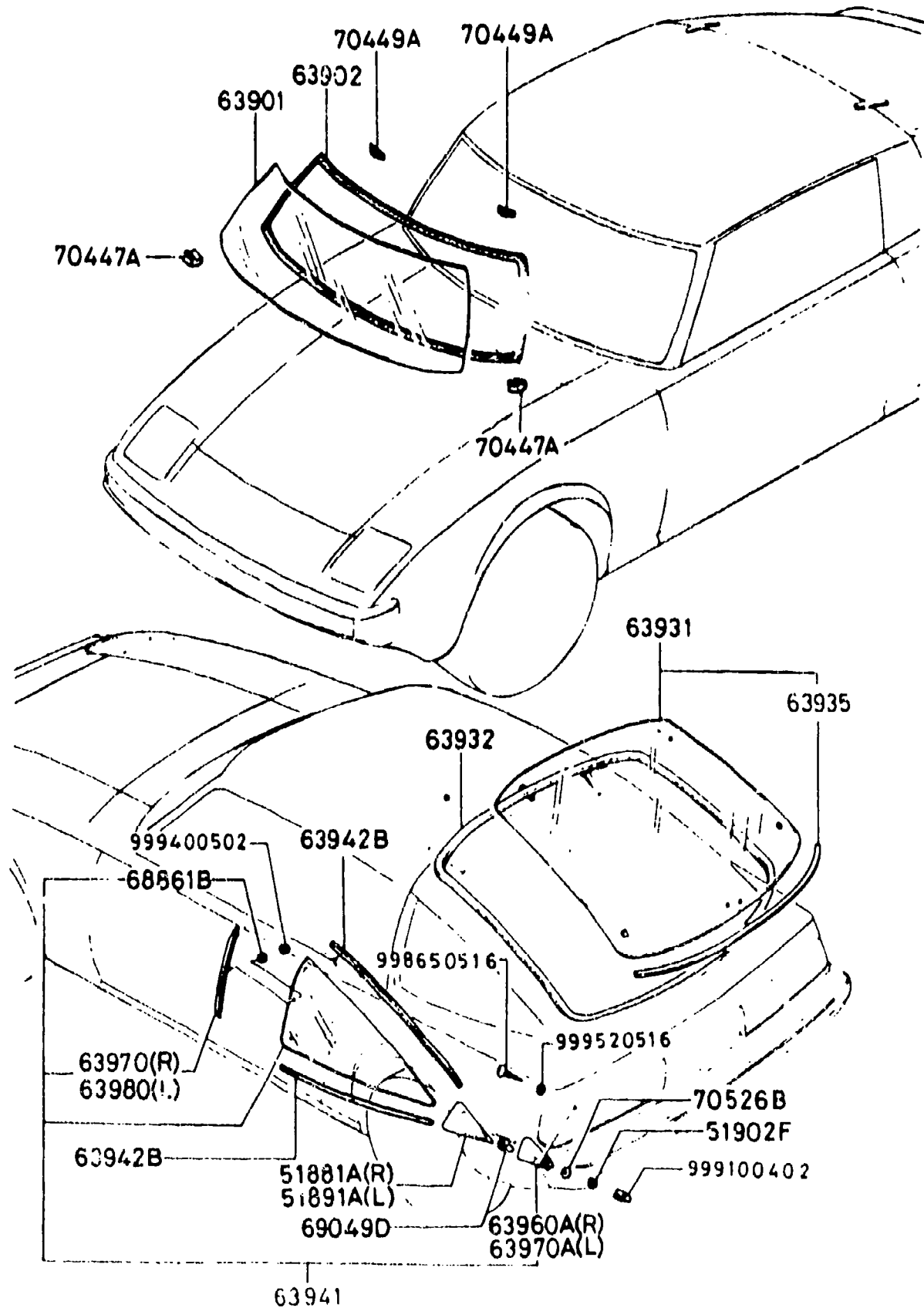
ITEM NO.	D-CODE	DESCRIPTION	PART NO.	QTY	MODEL/DESCRIPTION	REMARKS
41		EVAPORATOR ASSEMBLY	0000-67-810A-4A	1		
42		CASE, TOP	0000-67-811A-4A	1		
43		CASE, BOTTOM, W/ DRAIN PLATE	0000-67-821A-4A	1		
44		CASE, TRANSITION	0000-67-1977-34	1		
45		COIL, EVAPORATOR	0000-67-830A-4A	1		
46		TUBE, EXTENSION W/ PROTECTOR	0000-67-832A-4A	1		
47		EXPANSION VALVE	0000-67-0336-81	1		
48		THERMOSTAT	0000-67-0958-1/	1		
49		AIR SEAL, PIPE	0000-67-843A-4A	1		
50		PROTECTOR, TUBE, NO. 18 DENSITY	0000-67-845A-4A	1	5/8 ID X 3/16 WALL X 2.5	
51		O-RING # 4, CAP SEAL	0000-67-0123-21	1		
52		O-RING	0000-67-0123-1B	1	NO. 8	
53		BRACKET, MTG., THERMOSTAT	0000-67-0007-37	1		
54		CLAMP, BULB	0000-67-844A-3B	1	NO. 1	
55		CLIP, COIL SCREEN	0000-67-844A-4A	1		
56		CLIPS, RETAINER	0000-67-1977-25	8		
57		NUT, 10-32 HH KEPS BZ	0000-67-X20A-00	2		
58		SCREW, TA BLK. ZINC	0000-67-0406-55	6	8MM X .5 PTH	
59			0000-67-1982-26	2	10MM X .5 PTH	
60		SACK KIT, EVAPORATOR				
71		SEAL, PLATE (REQ'S 67-B27A-5Q)	0000-67-B16A-4A	1		
72		TAPE, INSULATION (5/16 X 1 X 24)	0000-67-B27A-5Q	2	(USE W/67-B16A) (67B17A-4A)	
73		SCREW, DM05 X .8 X 25 PPH Z1	9983-00-525	2	(USE W/67-B16A-4A & 67-B17A-4A)	
74		SEAL PLATE, (REQ'S 67-B27A-5Q)	0000-67-B17A-4A	1		
75		BRACKET, SUPPORT, EVAP.	0000-67-B13A-4A	2		
76		SCREW, DM05 X 8 X 25 PPH Z1	9983-00-525	1		
77		GROMMET, 1/2 X 3/8	0000-67-B62A-4A	1		
78		HOSE, DRAIN	0000-67-B63A-4A	1		
79		WIRE HARNESS (UNDER DASH)	0000-67-880A-5Q	1		
80		WIRE HARNESS (UNDER HOOD)	0000-67-881A-5Q	1		
81		WIRE, CONNECTOR	0000-67-882A-4A	1		
82		RELAY	0000-67-881A-4A	1		
83		NUT, 6 X 10 HFHSK Z2	0000-67-X20M-00	4		
84		FLATWASHER, 6 X 18 X 1.6 Z1	0000-67-X40M-02	2		

6230A-1 BACK DOOR MECHANISM



ITEM NO.	D-CODE	DESCRIPTION	PART NO.	QTY	MODEL/DESCRIPTION	REMARKS
58	316C	CLIP	G030-58-315	2		
60	690C	SWITCH, ROOM LAMP	0305-60-690	1		
62	210	HINGE (R)	8871-62-210B	1		
62	231A	SHIM 'A' (R), HINGE	8871-62-231	1		
62	232	SHIM 'B', HINGE	8871-62-232A	2		
62	233	SHIM 'D', HINGE	8871-62-233	2		
62	241A	SHIM 'C' (R), HINGE	8871-62-241A	1		
62	310	LOCK, BACK DOOR	FA01-62-310C	1	(POWER OPENER) (GS, GSL, GSL-SE)	
			FA02-62-310B	1	(MANUAL TYPE) (S)	
62	315	OPENER, REMOTE CONTROL	8341-62-315	1	(FOR POWER OPENER) (GS, GSL, GSL-SE)	
62	361	STRIKER, LOCK	8871-62-361	1		
62	365	NUT, STRIKER	FA01-62-365	1		
62	366	SHIM 'A', STRIKER	FA01-62-366	1		
62	367	SHIM 'B', STRIKER	8871-62-367	1		
62	610	STAY, DAMPER	8341-89-621	2	(W/O RR. WIPER) (S, GS)	
62	610A	STAY (R), DAMPER	1482-89-621	1	(W/ RR. WIPER) (GSL, GSL-SE)	
62	621	PIN, DAMPER	8871-62-621	2		
62	631	BRACKET, DAMPER	8871-62-631	2		
62	635	NUT, DAMPER	8871-62-635A	2		
62	636	SHIM 'A', DAMPER	8871-62-636A	2		
62	637	SHIM 'B', DAMPER	8871-62-637	2		
63	210	HINGE (L)	8871-63-210B	1		
63	231A	SHIM 'A' (L), HINGE	8871-63-231	1		
63	241A	SHIM 'C' (L), HINGE	8871-63-241A	1		
63	610A	STAY (L), DAMPER	8341-89-621	1	(W RR. WIPER) (GSL, GSL-SE)	

6300A-1 WINDOW GLASSES

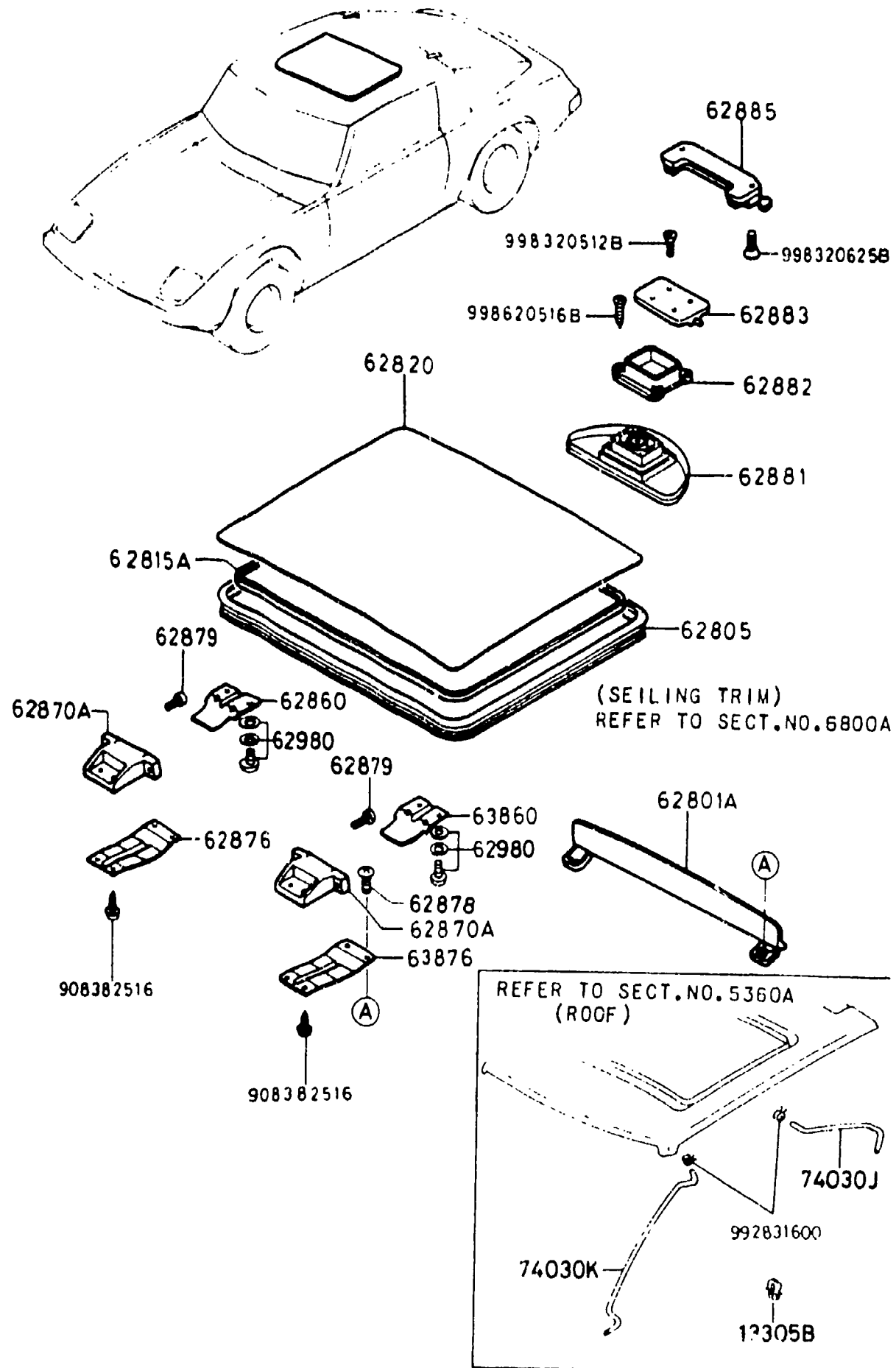


ITEM NO.	D-CODE	DESCRIPTION	PART NO	QTY	MODEL/DESCRIPTION	REMARKS
51 881A		GARNISH (R), SIDE WINDOW	FA01-51-881A	1		
51 891A		GARNISH (L), SIDE WINDOW	FA01-51-891A	1		
51 902F		GASKET	1029-51-902	2		
63 901		GLASS, WINDSHIELD	FA54-63-901E	1	(W/ SUN SHADE) (GS, GSI, GSI-SE)	
			FA72-63-901E	1	(W/O SUN SHADE) (S)	
			FA66-63-901	1	13B (GSI-SE) FROM APR. '85 PROD	FB33* .893766-
63 902		DAM, FRT. W/SHIELD GLASS	1243-63-902	1		
63 931		GLASS, REAR WINDOW	1482-75-890D	1	(USE W/ RR. WIPER) (GSI, GSI-SE)	
			8341-75-890D	1	(USE W/O RR. WIPER) (S, GS)	
			FA67-75-890	1	13B (GSI-SE) FROM APR. '85 PROD.	FB33* .893766-
63 932		WEATHERSTRIP, RR. WINDOW	8871-62-761D	1		
63 935		MOULDING, REAR WINDOW	8871-63-935A	1		
63 941		GLASS (R), SIDE WINDOW	FA01-62-950D	1		
			FA66-62-950	1	13B (GSI-SE) FROM APR. '85 PROD.	FB33* .893766-
		GLASS (L), SIDE WINDOW	FA01-63-950D	1		
			FA66-63-950	1	13B (GSI-SE) FROM APR. '85 PROD.	FB33* .893766-
63 942B		DAM, SIDE WINDOW	8871-63-942	4		
63 960A		PLATE (R), GLASS	FA01-62-970	1		
63 970		MOULDING (R), GLASS	8871-62-960A	1		
63 970A		PLATE (L), GLASS	FA01-63-970	1		
63 980		MOULDING (L), GLASS	8871-63-960A	1		
68 861B		SPACER	8871-62-966A	2		
69 049D		NUT, SPEED	0187-69-049A	4		
70 447A		SPACER 'A'	8871-63-911	2		
70 449A		SPACER 'C'	0839-70-449	3		
70 526B		SHEET 'A', SIDE WINDOW	FA01-70-526	2		

SECTION INDEX -- BODY

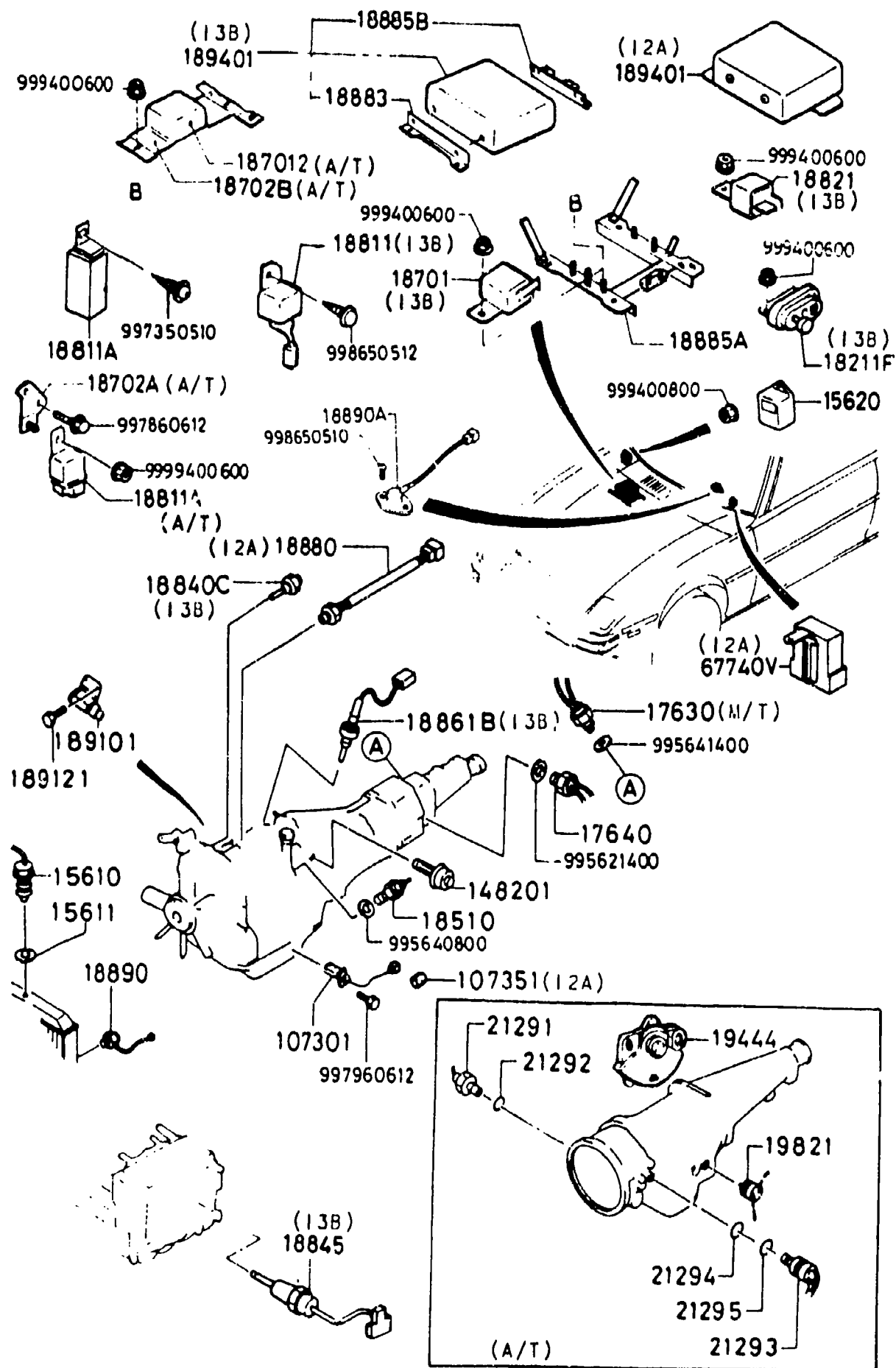
STARTING LOCATION	SECT. NO.	SECTION NAME	STARTING LOCATION	SECT. NO.	SECTION NAME	STARTING LOCATION	SECT. NO.	SECTION NAME
2 - C 3	0900A	KEY SETS	2 - L 7	6110A	HEATER UNIT COMPONENTS	2 - H 10	6703A	WIRE HARNESS (DOOR, FLOOR CEILING)
2 - D 3	5000A	FRONT BUMPER	2 - J 7	6115A	HEATER CONTROLS COMPONENTS	2 - I 10	6704A	WIRE HARNESS CLAMPS
2 - E 3	5005A	RADIATOR GRILLE	2 - K 7	6120A	HEATER BLOWER COMPONENTS	2 - J 10	6720A	WINDSHIELD WASHER
2 - F 3	5010A	REAR BUMPER	2 - L 7	6125B	AIR CONDITIONER	2 - K 10	6730A	WINDSHIELD WIPER
2 - G 3	5030A	WINDOW MOULDINGS	2 - M 7	6130B	AIR CONDITIONER (NIPPONDENSO)	2 - L 10	6740A	WIPER MOTOR COMPONENTS (FRONT)
2 - H 3	5040A	BODY MOULDINGS	2 - C 8	6132B	AIR CONDITIONER (WYNN'S)	2 - M 10	6750A	WINDOW WIPER & WASHER (REAR) (GSL, GSL-SE)
2 - I 3	5060A	SIDE PROTECTORS	2 - D 8	6140B	A. C COMPRESSOR BRACKETS (NIPPONDENSO)	2 - N 10	6760A	WINDOW WIPER MOTOR COMPONENTS (REAR) (GSL, GSL-SE)
2 - J 3	5100A	HEAD LAMPS	2 - F 8	6142B	A. C COMPRESSOR COMPONENTS (WYNN'S)	2 - C 11	6800A	CEILING TRIM
2 - K 3	5103A	HEAD LAMP RETRACTOR	2 - H 8	6145B	A. C COMPRESSOR COMPONENTS (NIPPONDENSO)	2 - D 11	6820A	PILLAR TRIM
2 - L 3	5105A	FRONT COMBINATION LAMPS	2 - J 8	6150B	COOLING UNIT (NIPPONDENSO)	2 - F 11	6840A	TRIM & SCUFF PLATE
2 - M 3	5110A	REAR COMBINATION LAMPS	2 - L 8	6152B	COOLING UNIT (WYNN'S)	2 - I 11	6860A	FLOOR MATS & PADS
2 - N 3	5120A	LICENSE LAMPS	2 - M 8	6230A	BACK DOOR MECHANISM	2 - J 11	6870A	SERVICE TOOLS
2 - C 4	5125A	INTERIOR LAMPS	2 - N 8	6300A	WINDOW GLASSES	2 - K 11	6900A	VISOR, ASSIST HANDLE & MIRRORS
2 - D 4	5170A	ORNAMENTS				2 - N 11	6930A	CAUTION PLATES & LABEL
2 - E 4	5180A	COWL & EXTRACTOR GRILLES	2 - C 9	6330A	SUNROOF (GSL, GSL-SE)			
2 - F 4	5230A	HOOD	2 - D 9	6600A	SWITCH & RELAY (ENGINE)			
2 - G 4	5310A	BODY PANELS (FRONT)	2 - F 9	6610A	DASHBOARD SWITCHES (MANUAL OPERATING)			
2 - H 4	5320A	BODY PANELS (FENDER & WHEEL APRON)	2 - G 9	6611A	COMBINATION SWITCH			
2 - I 4	5330A	BODY PANELS (DASH & COWL PANEL)	2 - H 9	6612A	CLUSTER SWITCH (RIGHT SIDE)			
2 - J 4	5340A	BODY PANELS (SIDE)	2 - I 9	6613A	CLUSTER SWITCH (LEFT SIDE)			
2 - K 4	5360A	BODY PANELS (ROOF)	2 - J 9	6615A	POWER WINDOW SWITCH			
2 - L 4	5370A	BODY PANELS (FLOOR)	2 - K 9	6620A	DOOR, PARKING LAMP & KICKDOWN SWITCHES			
2 - M 4	5390A	FLOOR ATTACHMENTS	2 - L 9	6630A	RELAY & CPU (BODY)			
2 - C 5	5500A	DASHBOARD EQUIPMENT	2 - M 9	6635A	HORN			
2 - F 5	5520A	METER HOOD	2 - N 9	6640A	AUTO CRUISE CONTROLS			
2 - G 5	5530A	SPEEDOMETER CABLE						
2 - H 5	5540A	METERS	2 - C 10	6680A	AUDIO SYSTEMS (RADIO & TAPE DECK)			
2 - I 5	5550A	CLUSTER SWITCH COVER	2 - D 10	6682A	AUDIO SYSTEMS (ANTENNA & SPEAKER)			
2 - J 5	5560A	DASHBOARD & RELATED	2 - E 10	6700A	WIRE HARNESS (FRONT & REAR)			
2 - L 5	5570A	CONSOLE	2 - F 10	6701A	WIRE HARNESS (ENGINE & TRANSMISSION)			
2 - N 5	5580A	VENTILATOR	2 - G 10	6702A	WIRE HARNESS (DASHBOARD)			
2 - C 6	5700A	FRONT SEAT						
2 - H 6	5790A	SEAT BELTS						
2 - I 6	5800A	FRONT DOOR						
2 - J 6	5830A	FRONT DOOR MECHANISMS						
2 - C 7	5840A	FRONT DOOR TRIM & RELATED PARTS						
2 - H 7	6100A	HEATER						

**6330A-1 SUNROOF
(GSL, GSL-SE)**



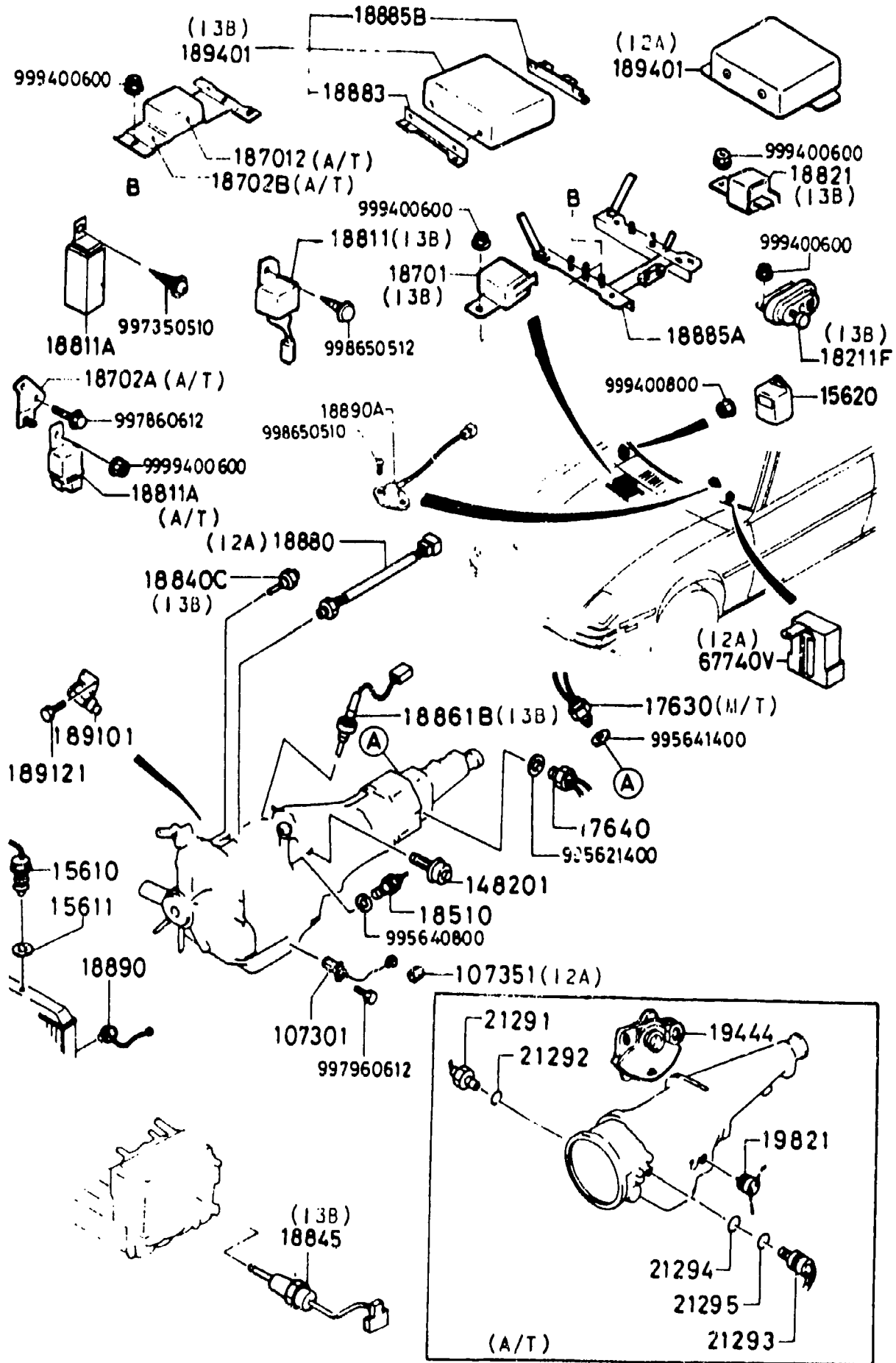
ITEM NO	D-CODE	DESCRIPTION	PART NO.	QTY	MODEL/DESCRIPTION	REMARKS
13	305B	CLIP, DRAIN HOSE	8871-13-305	2		
62	801A	DEFLECTOR	FA56-62-801A	1		
		RED	16			
		OFF-BLACK	64			
		BROWN	77			
62	805	WEATHERSTRIP, ROOF	8970-62-805B	1		
62	815A	PROTECTOR, SUNROOF	8970-62-815B	1		
62	820	SUNROOF	8346-62-820A	1		
62	860	HINGE 'A' (R), SUNROOF	8346-62-875A	1		
62	870A	HINGE 'B', ROOF	8346-62-871A	2		
62	876	REINFORCEMENT (R), HINGE	8346-62-876	1		
62	878	SCREW	8346-62-878A	4		
62	879	SCREW	8346-62-879	4		
62	881	LATCH, ROTARY	FA04-62-881A	1		
		RED	11			
		OFF-BLACK	65			
		BROWN	78			
62	882	COVER LATCH	8346-62-882	1		
62	883	PLATE LOCK	8346-62-883	1		
62	885	HOOK SLIDE	8346-62-885	1		
62	980	SCREW	8316-62-980	4		
63	860	HINGE 'A' (L), SUNROOF	8346-63-875A	1		
63	876	REINF (L), HINGE	8346-63-876	1		
74	030J	PIPE, VINYL	8973-56-066	2		
74	030K	HOSE, DRAIN	8973-56-065B	2		

6600A-1 SWITCH & RELAY (ENGINE)



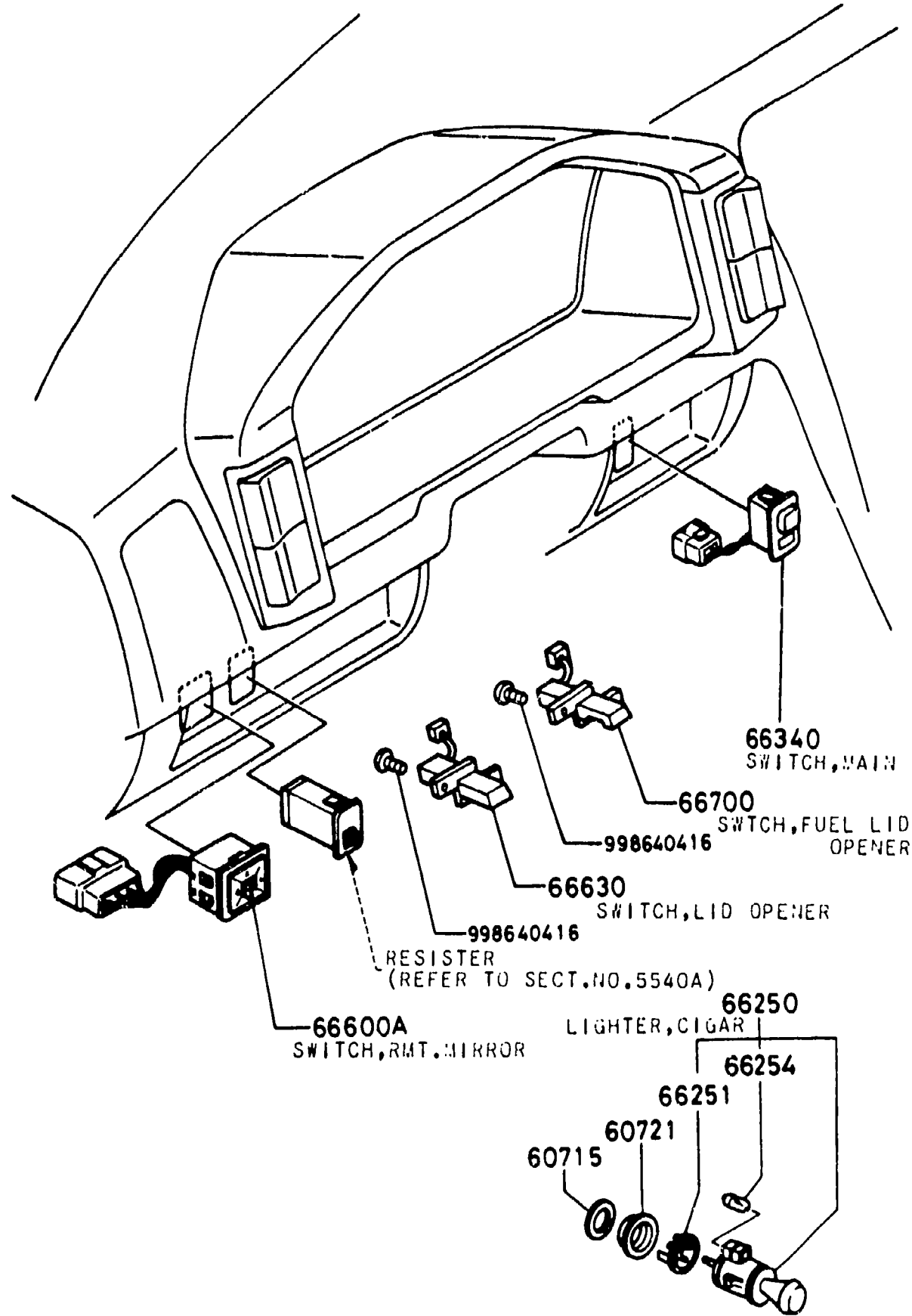
ITEM NO.	D-CODE	DESCRIPTION	PART NO.	QTY	MODEL/DESCRIPTION	REMARKS
	10 7301	SENSOR, OIL LEVEL	N201-10-730	1		
	10 7351	PROTECTOR	N231-10-735	1	12A (S, GS, GSL)	
	14 8201	GAUGE UNIT, OIL PRESSURE	N201-14-820	1		
	15 610	SENSOR, WATER LEVEL	8553-15-610B	1		
	15 611	GASKET	8553-15-611	1		
	15 620	UNIT, WATER LEVEL SENSOR	8248-15-620	1		
	17 63C	SWITCH	8118-17-640B	1	M/T (CLUTCH & NEUTRAL SAFETY)	
	17 640	SWITCH, BACK-UP LAMP	1391-17-640	1	12A M/T (S, GS, GSL)	
			8130-17-640C	1	13B (GSL-SE)	
	18 211F	SENSOR, VACUUM	N304-18-211	1	(MITSUBISHI MAKE) 13B (GSL-SE)	
	18 510	UNIT, HEAT GAUGE	8569-18-510A	1		
	18 701	CONTROL UNIT	N304-18-701A	1	13B (GSL-SE) (RELIEF SOLENOID VALVE)	
	18 7012	UNIT, CONTROL	N242-18-701	1	A/T (OVERDRIVE SYSTEM)	
	18 702A	BRACKET, RELAY	FA54-67-742	1	A/T	
	18 702B	BRACKET, CONTROL UNIT	N252-18-785B	1	A/T	
	18 811	RELAY, MAIN	N304-18-811A	1	13B (GSL-SE)	
	18 811A	RELAY, CONTROL	G045-67-740A	1	A/T (KICKDOWN RELAY)	
	18 821	RELAY, CIRCUIT OPEN	N237-18-821A	1	13B (GSL-SE)	
	18 840C	SENSOR, WATER TEMPERATURE	8574-18-840	1	13B (GSL-SE)	
	18 845	SENSOR, AIR TEMPERATURE	N236-18-845A	1	13B (GSL-SE)	
	18 861B	SENSOR, OXYGEN	N304-18-861	1	13B (GSL-SE)	
	18 880	SWITCH, TEMP	8341-18-880	1	12A (S, GS, GSL)	
	18 883	BRACKET, COMPUTER	N304-18-886	1	13B (GSL-SE)	
	18 885A	BRACKET, CONTROL UNIT	N304-18-885B	1		
	18 885B	BRACKET, COMPUTER	HE21-18-885A	1	13B (GSL-SE)	
	18 890	SWITCH, THERMO	8182-18-970A	1	(# 2 WATER TEMP. SWITCH)	
	18 890A	SWITCH, THERMO	N233-18-890	1	(HEAT HAZARD SENSOR)	
	18 9101	SENSOR, THROTTLE	1480-18-910B	1	12A (S, GS, GSL)	
			N236-18-911	1	13B (GSL-SE)	
	18 9121	BOLT	1480-18-912B	2	12A (S, GS, GSL)	
			N304-18-912	2	13B (GSL-SE)	
	18 9401	CONTROL UNIT (EMISSION)	N249-18-941D	1	12A M-T (S, GS, GSL)	
		REFER TO PARTS BULL. NOS. R-1 & R-3 FOR MORE INFO.				
			N250-18-941C	1	A/T 12A (S, GS, GSL)	
			N304-18-881R	1	13B (GSL-SE), REMANUFACTURED	
	19 444	SWITCH, INHIBITOR	BU06-19-444B	1		
	19 821	SOLENOID, DOWN SHIFT	BU02-19-821	1	A T	

**6600A-2 SWITCH & RELAY
(ENGINE)**



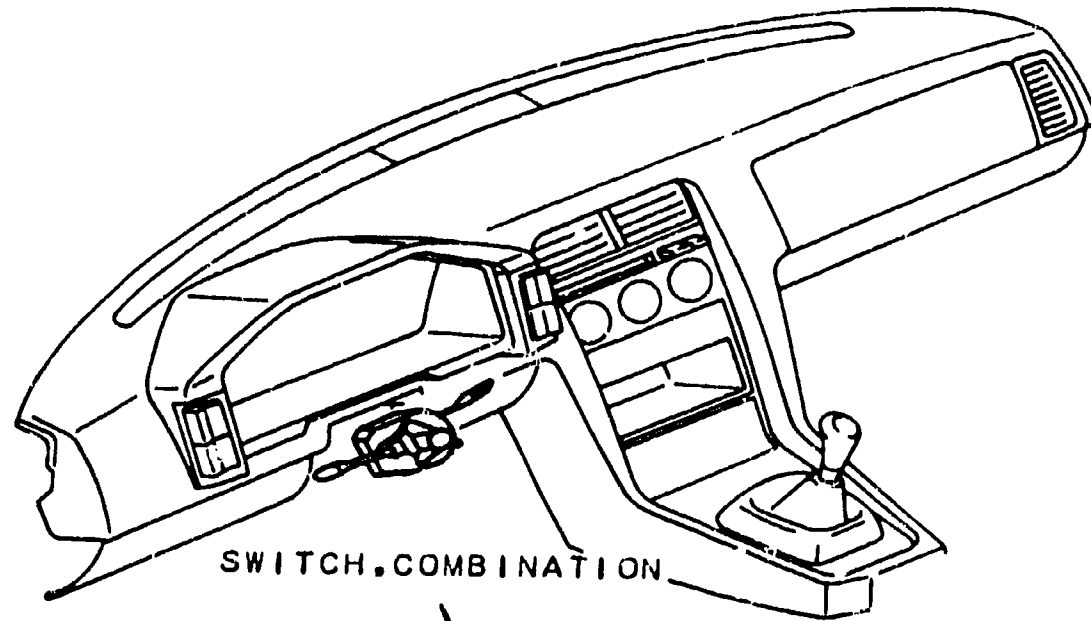
ITEM NO.	D-CODE	DESCRIPTION	PART NO.	QTY	MODEL/DESCRIPTION	REMARKS
21 291		SWITCH, OIL PRESSURE	BU01-21-291A	1	A/T	
21 292		O-RING	BU01-21-292	1	A/T	
21 293		SOLENOID, OVER DRIVE	BU01-21-293A	1	A/T	
21 294		O-RING	BU01-21-294	1	A/T	
21 295		O-RING	BU01-21-295	1	A/T	
17 740V		RELAY, FUEL PUMP CUT	FA55-67-740	1	12A	
		(GENERIC PICTURE IS SQUARE; PART IS ACTUALLY ROUND)				

**6610A-1 DASHBOARD SWITCHES
(MANUAL OPERATING)**

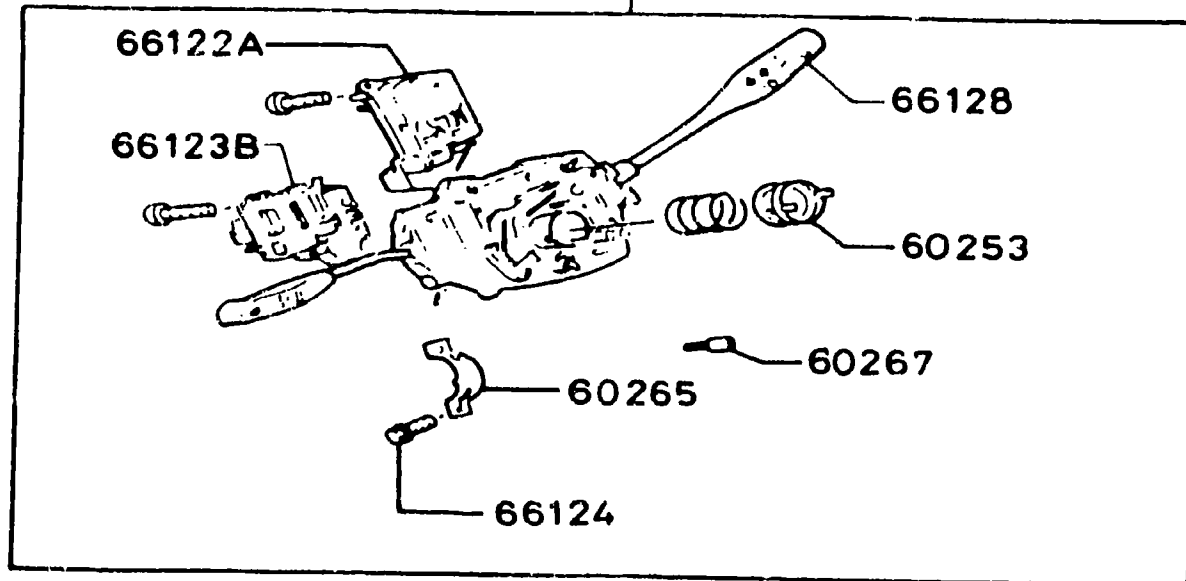


ITEM NO.	D-CODE	DESCRIPTION	PART NO.	QTY	MODEL/DESCRIPTION	REMARKS
	60 715	SHIELD, HEAT	8871-66-242	1		
	60 721	PROTECTOR	H001-66-241	1		
	66 250	LIGHTER, CIGAR	FA54-66-250A	1		
	66 251	RING, ILLUMINATION	8182-66-251	1		
	66 254	BULB, CIGAR LIGHTER	0000-11-0293	1		
	66 340	SWITCH, MAIN	FA54-66-340A	1	(USE W/ ACC) (GSL, GSL-SE)	
	66 600A	SWITCH, REMOTE MIRROR	FA54-66-600	1		
	66 630	SWITCH, TRUNK LID OPENER	H044-66-630B	1		
	66 700	SWITCH, FUEL LID OPENER	H044-66-700B	1		

6611A-1 COMBINATION SWITCH

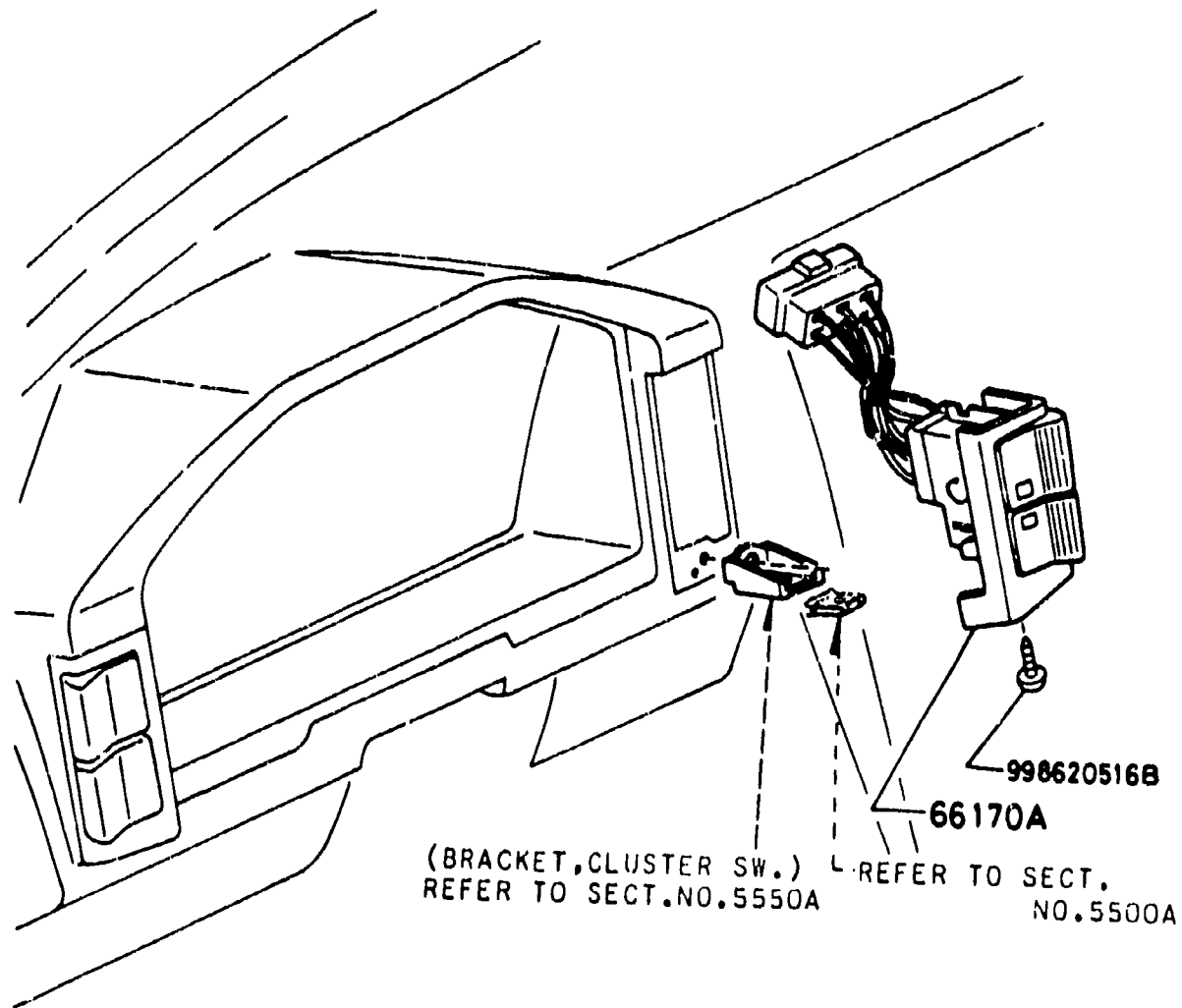


66110



ITEM NO.	D-CODE	DESCRIPTION	PART NO.	QTY	MODEL/DESCRIPTION	REMARKS
60 253		CAM, CANCEL	BA29-66-126	1		
60 265		HOLDER, BAND	FA54-66-129	1		
60 267		CONTACT, HORN	8182-66-127	1		
66 110		SWITCH, COMBINATION	FA54-66-120C	1	(USE W/O ACC) (S, GS)	
			FA58-66-120C	1	(USE W/ ACC) (GSL, GSL-SE)	
66 122A		SWITCH, LIGHT & DIMMER	FA54-66-122	1		
66 123B		SWITCH, WIPER	FA54-66-123	1		
66 124		BOLT, BAND HOLDER	H001-66-124	1		
66 128		SWITCH, CRUISE	FA02-66-128	1	(USE W/ ACC) (GSL, GSL-SE)	

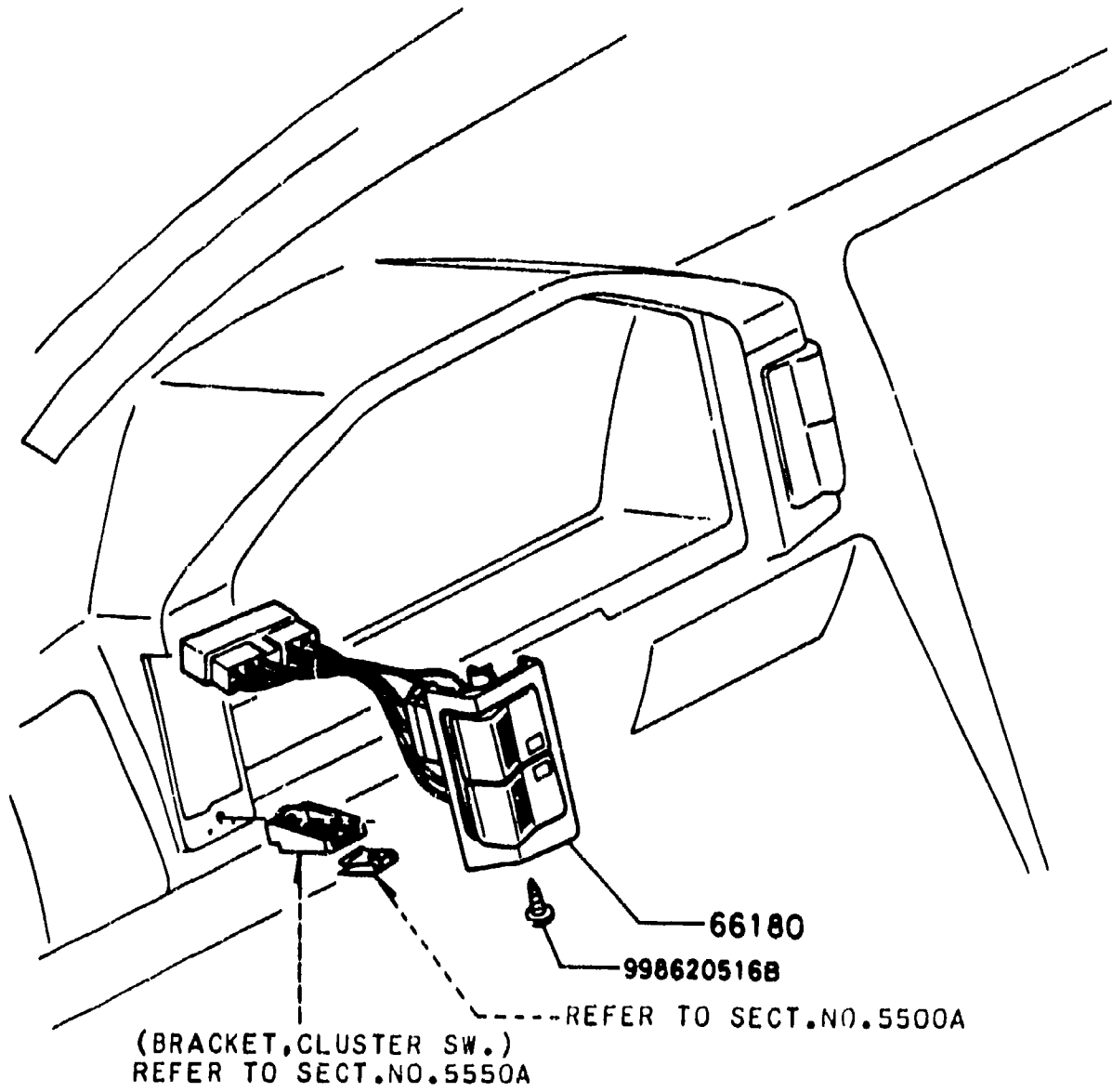
**6612A-1 CLUSTER SWITCH
(RIGHT SIDE)**



ITEM NO.	D-CODE	DESCRIPTION	PART NO.	QTY	MODEL/DESCRIPTION	REMARKS
	66 170A	SWITCH (R), CLUSTER	FA54-66-170C	1	(USE W/O RR. WIPER) (S, GS)	
		RED/BLACK	10			
		OFF-BLACK/BLACK	65			
		BROWN/BLACK	78			
		SWITCH, CLUSTER	FA55-66-170C	1	(USE W/ RR. WIPER) (GSL, GSL-SE)	
		RED/BLACK	10			
		OFF-BLACK/BLACK	65			
		BROWN/BLACK	78			

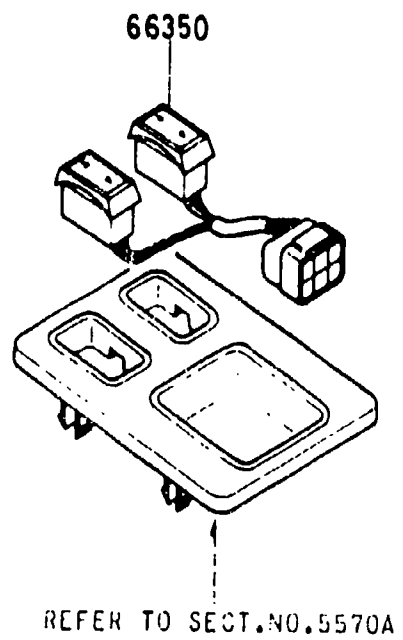
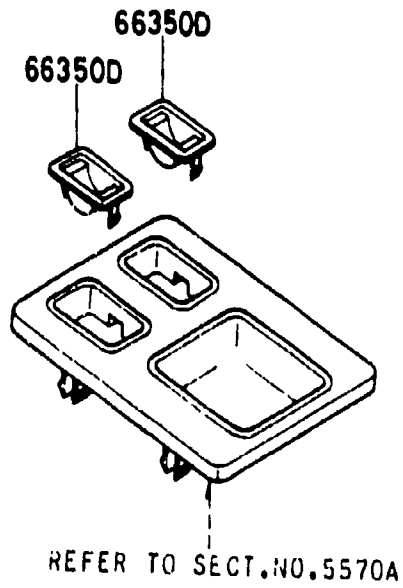
**6613A-1 CLUSTER SWITCH
(LEFT SIDE)**

ITEM NO.	D-CODE	DESCRIPTION	PART NO.	QTY	MODEL/DESCRIPTION	REMARKS
	66 180	SWITCH (L) CLUSTER	FA54-66-180C	1		
		RED/BLACK	10			
		OFF-BLACK/BLACK	65			
		BROWN/BLACK	78			

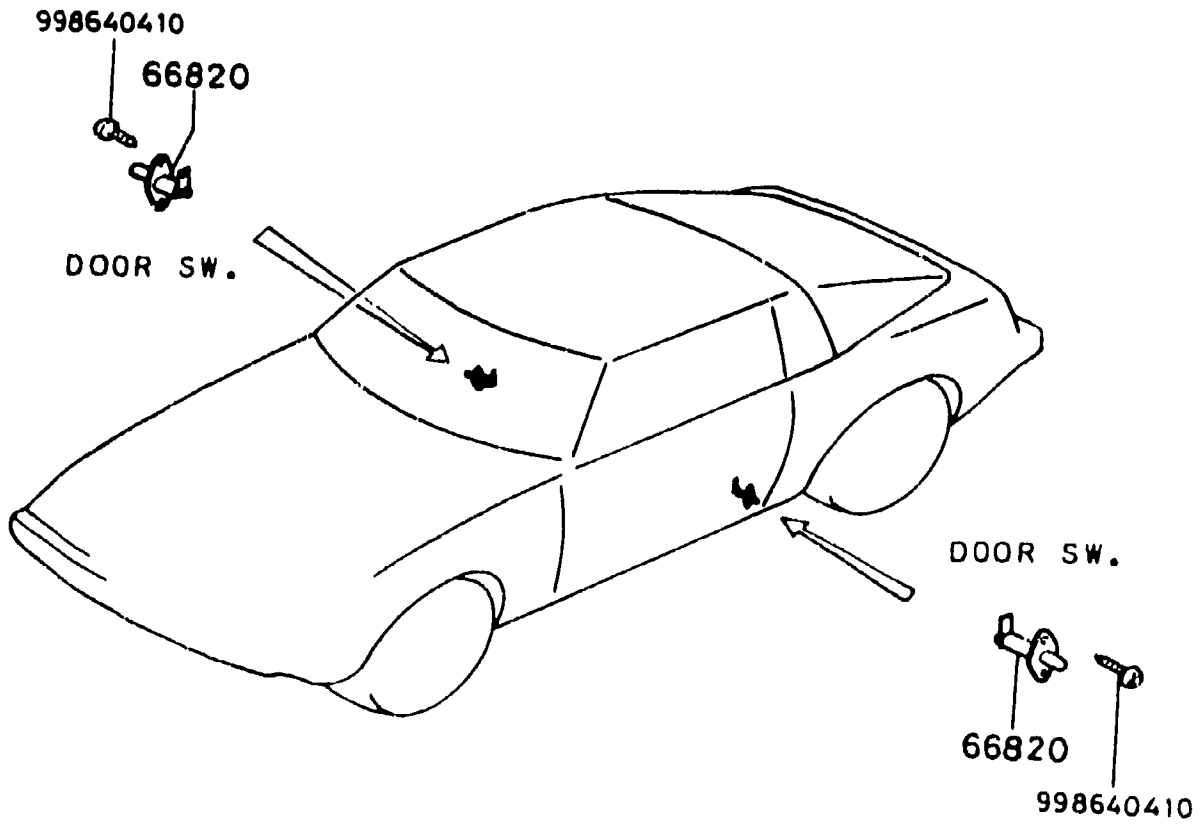
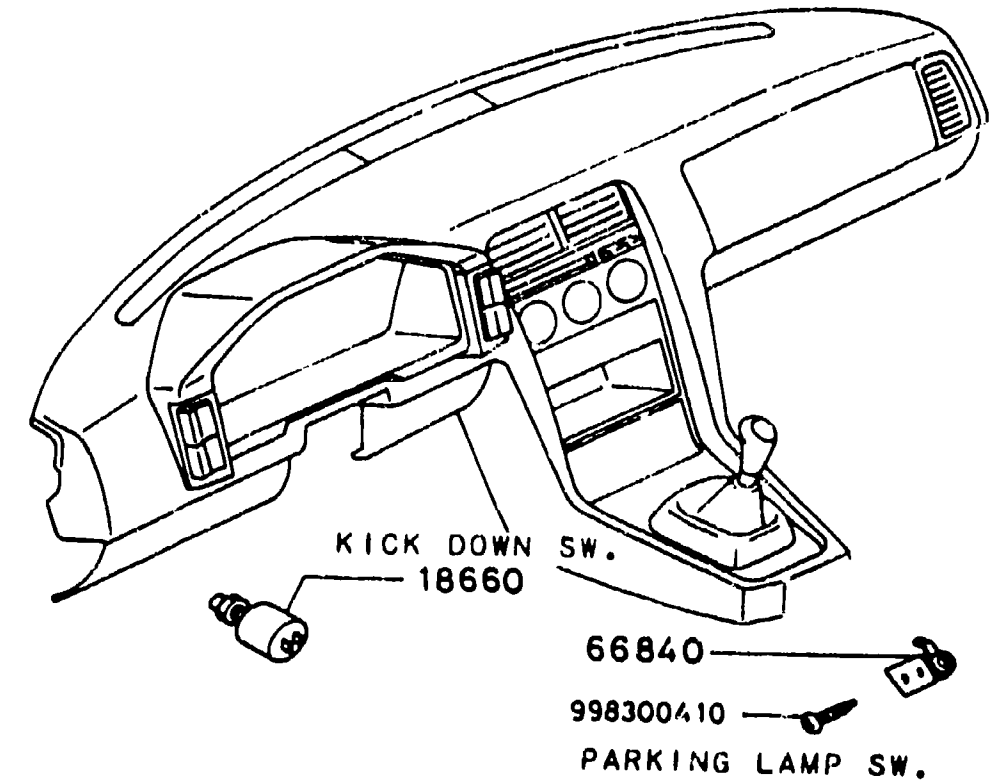


6615A-1 POWER WINDOW SWITCH

ITEM NO.	D-CODE	DESCRIPTION	PART NO.	QTY	MODEL/DESCRIPTION	REMARKS
66 350		SWITCH, POWER WINDOW	FA54-66-350	1	(USE W/ POWER WINDOW) (GSI, GSI-SE)	
66 350D		BOX, COIN	FA55-66-350	2	(USE W/O POWER WINDOW) (S, GS)	

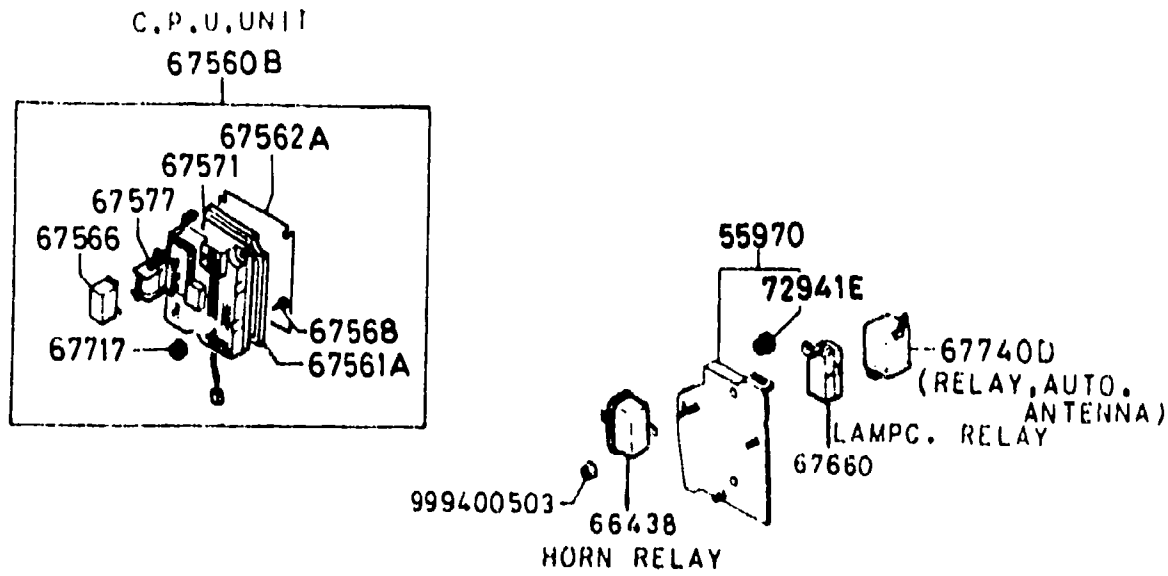


6620A-1 DOOR, PARKING LAMP & KICKDOWN SWITCHES

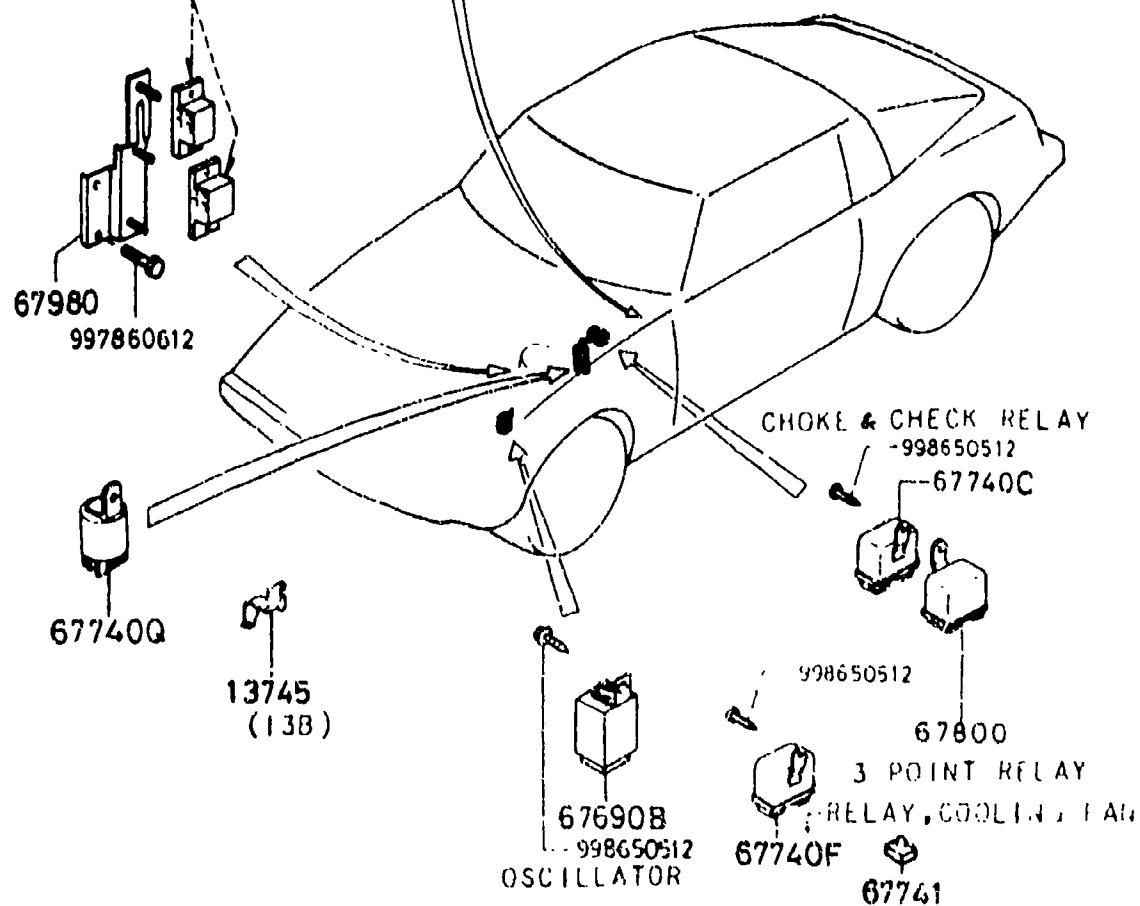


ITEM NO.	D-CODE	DESCRIPTION	PART NO.	QTY	MODEL/DESCRIPTION	REMARKS
	18 660	SWITCH, KICK DOWN	F034-66-470	1	A/T	
	66 820	SWITCH, DOOR	B001-66-540	2		
	66 840	SWITCH, PARKING LAMP	8871-66-450	1		

6630A-1 RELAY & CPU (BODY)

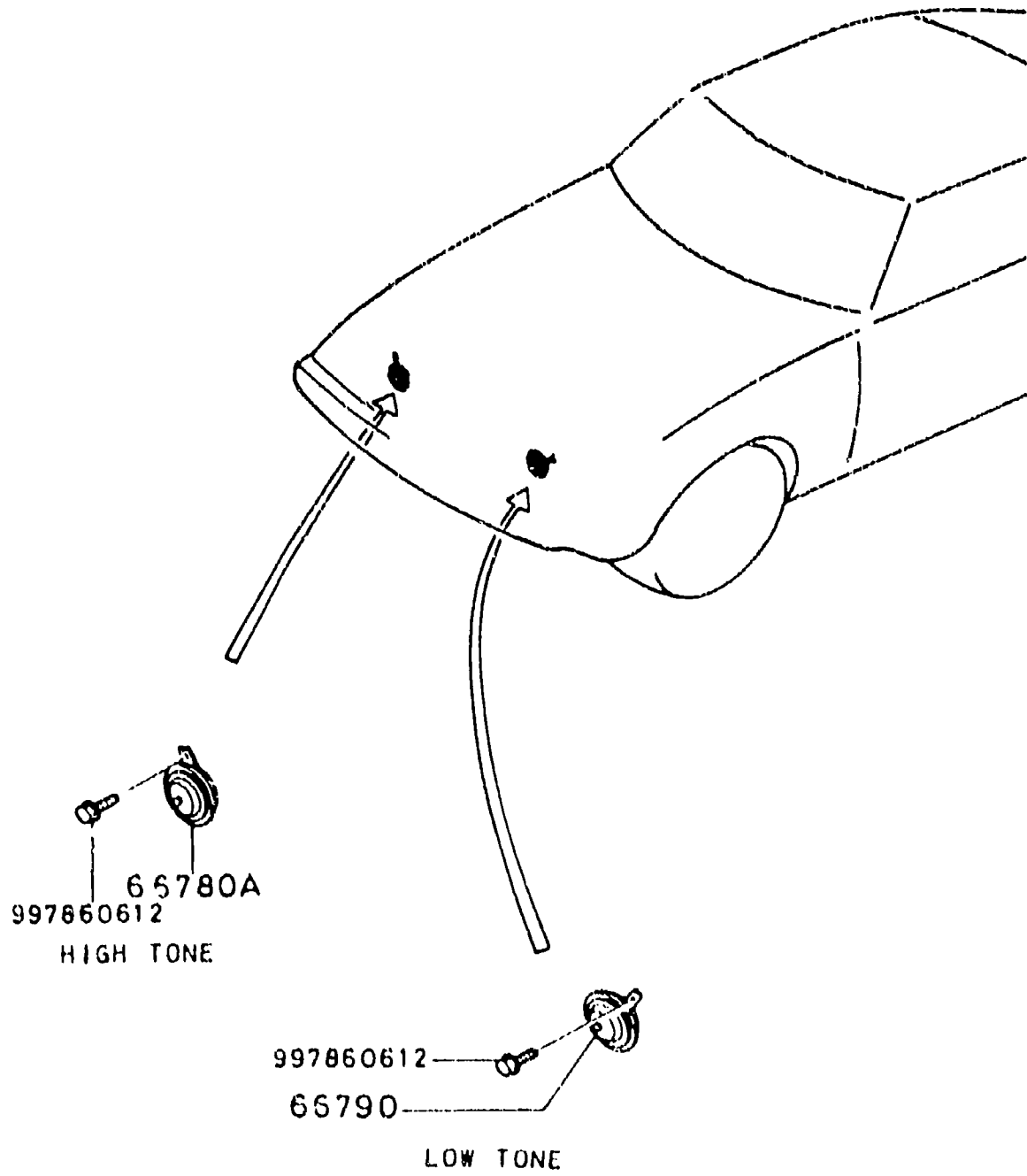


REFER TO SECT. NO. 6700A



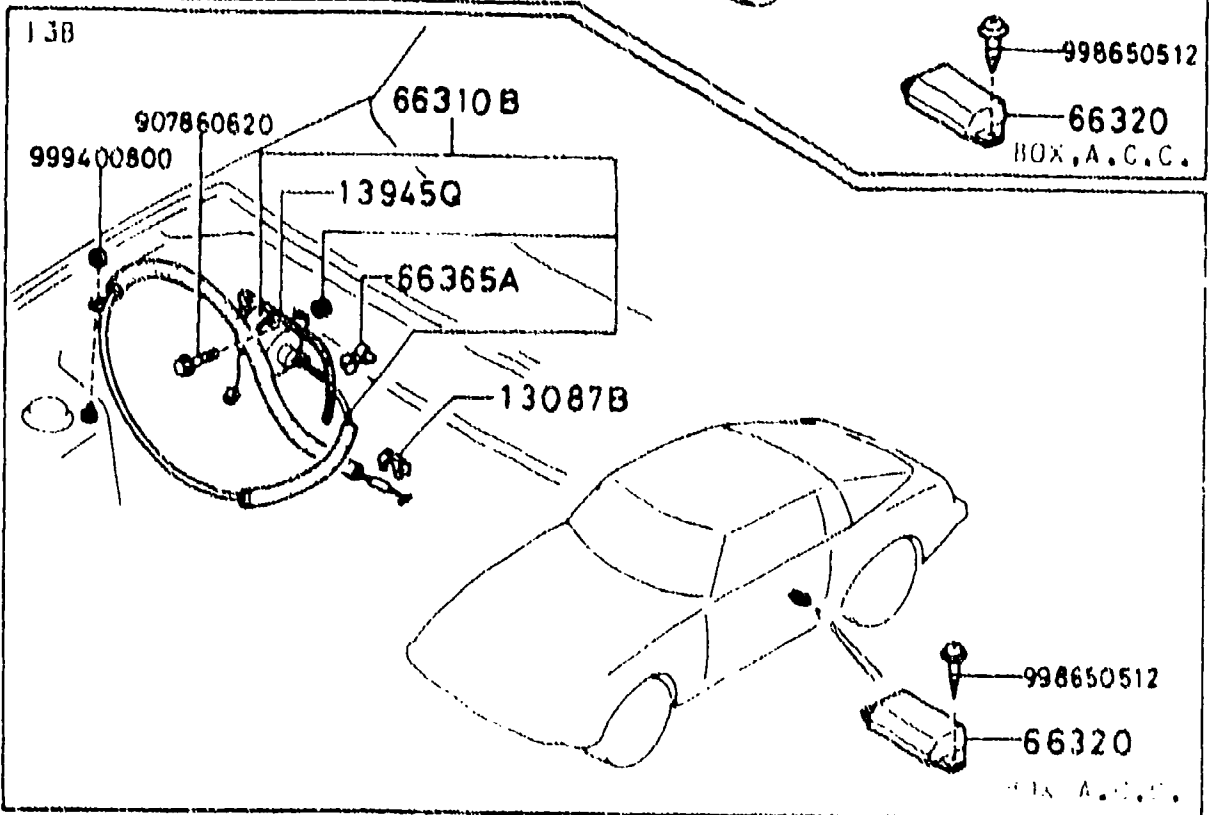
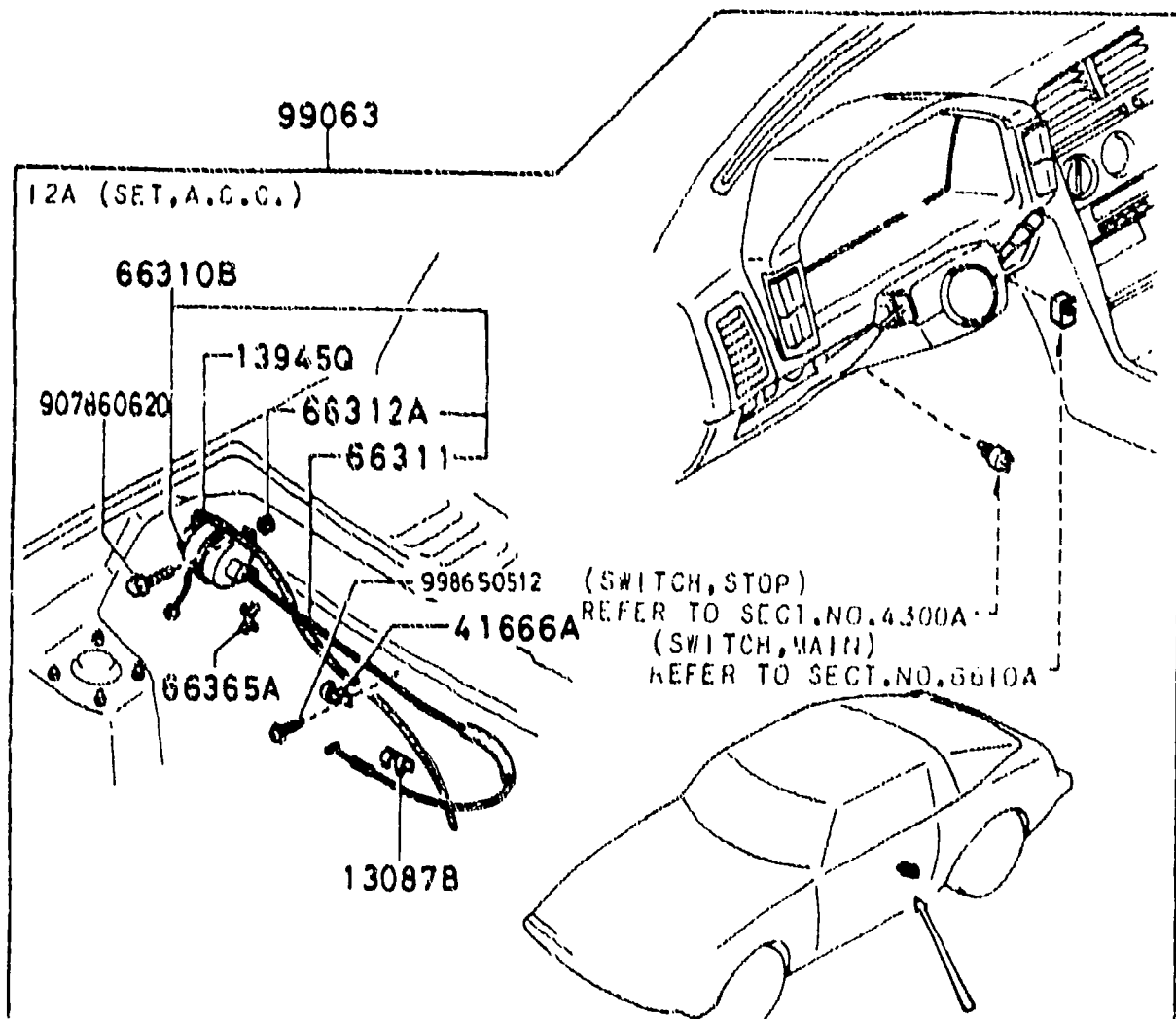
ITEM NO	D-CODE	DESCRIPTION	PART NO.	QTY	MODEL DESCRIPTION	REMARKS
12 745		BRACKET, RELAY	N304-13-745	1	(USE W/ P/S)	
55 970		BRACKET	FA54-66-821B	1		
66 438		RELAY, HORN	FA01-66-810A	1		
67 560B		UNIT, CPU	FA54-67-560	1		
67 561A		CIRCUIT	FA54-67-573	1		
67 562A		PLATE	FA02-67-57A	1		
67 566		COVER, CONTROL UNIT	FA02-67-572	1		
67 568		SCREW, TAPPING	8545-67-568	10		
67 571		CASE, CONTROL UNIT	FA02-67-571	1		
67 577		RELAY, FLASHER	FA02-67-577	1		
67 660		RELAY, LAMP CHECKER	BE32-67-680A	1		
67 690B		OSCILLATOR	FA30-67-690A	1		
67 717		BUSHING	0866-67-717	3		
67 740C		RELAY, CHOKE & CHECK	8173-67-740A	1		
67 740D		RELAY, AUTO ANTENNA	FA01-67-740	1	THRU FEB. '85 PROD.	FB33* ..800001-887556
			FA54-66-931	1	FROM MAR. '85 PROD.	FB33* ..887557
67 740F		RELAY, COOLING FAN	B002-67-740A	1	(USE W/ P/S)	
67 740Q		RELAY, CUT-AIR CONTROL	B002-67-740A	1	13B (GSL-5E)	
67 741		CONNECTOR, SHORT	FA54-67-741	1	(USE W/O P/S)	
67 800		RELAY, 3-POINT	1480-67-740	1	(HOT START RELAY)	
67 980		BRACKET, FUSIBLE LINK	FA66-67-980A	1		
72 941E		RUBBER, STOPPER	0208-72-941	1		

6635A-1 HORN



ITEM NO.	D-CODE	DESCRIPTION	PART NO.	QTY	MODEL/DESCRIPTION	REMARKS
	66 780A	HORN, HIGH TONE	BC22-66-780B	1		
	66 790	HORN, LOW TONE	BC22-66-790B	1		

6640A-1 AUTO CRUISE CONTROLS

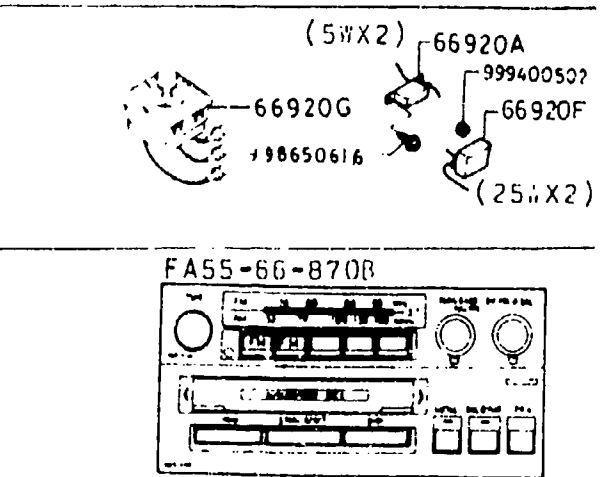
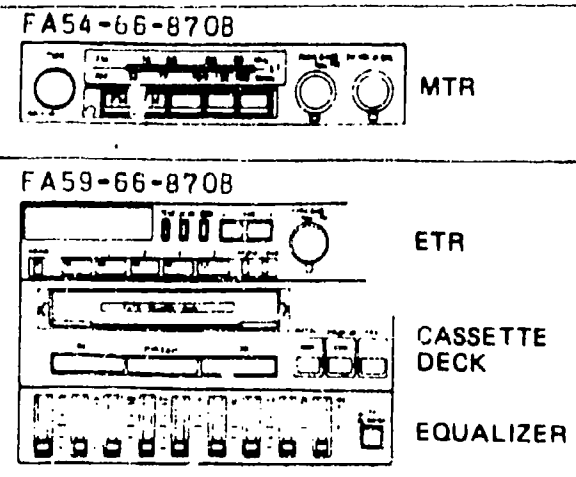
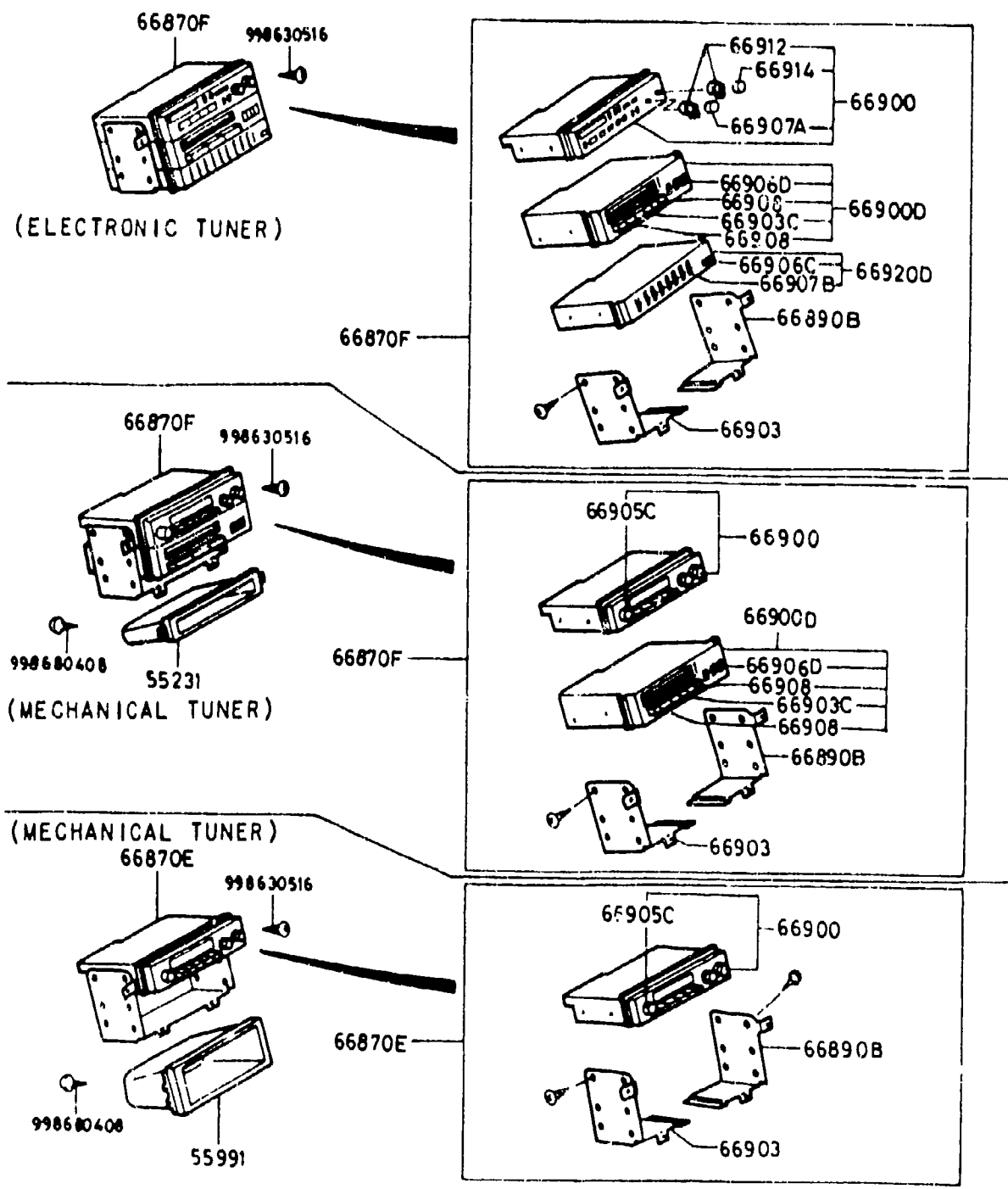


ITEM NO	D-CODE	DESCRIPTION	PART NO	QTY	MODEL/DESCRIPTION	REMARKS
	13 087B	SPRING	8871-13-087A	1		
	13 945Q	PIPE	FA43-66-361A	1	12A (S. GS. GSU)	
			FA66-66-361	1	13B (GSU-SE)	
	41 666A	CLIP	FA43-66-315	1	12A (S. GS. GSU)	
	66 310B	ACTUATOR, ACC	FA43-66-310B	1	12A (S. GS. GSU)	
			FA66-66-310B	1	13B (GSU-SE)	
	66 311	WIRE, ACC	FA43-66-311	1	12A (S. GS. GSU)	
	66 312A	PROTECTOR	FA03-66-312	2	12A (S. GS. GSU)	
	66 320	BOX, ACC	FA30-66-320B	1	12A (S. GS. GSU)	
			FA66-66-320	1	13B (GSU-SE)	
	66 365A	CLIP	FA43-66-365	2	12A (S. GS. GSU)	
				1	13B (GSU-SE)	
	99 063	AUTO CRUISE CONTROL SET	FA54-99-063A	1		

SECTION INDEX -- BODY

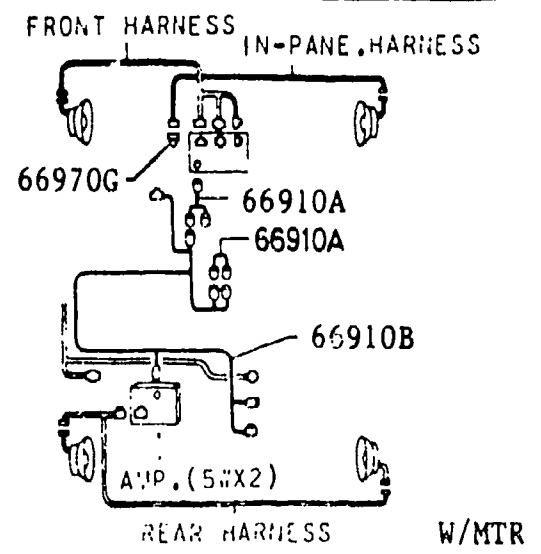
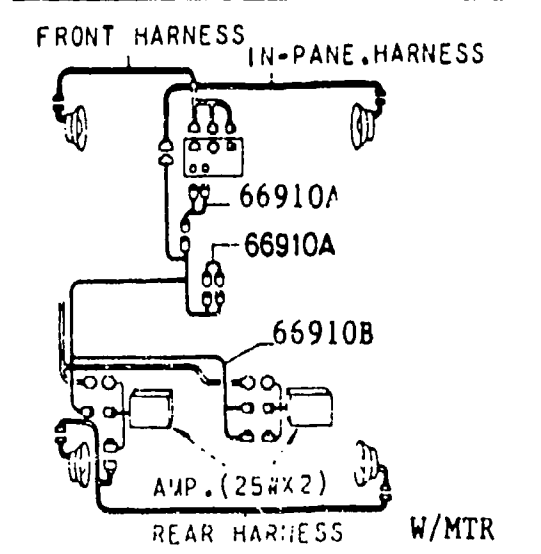
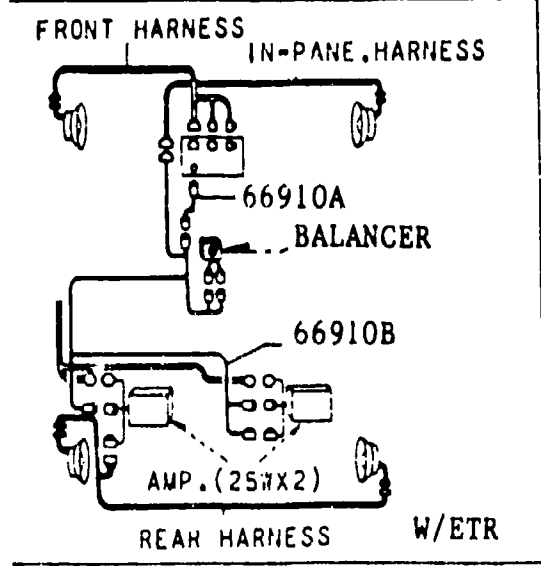
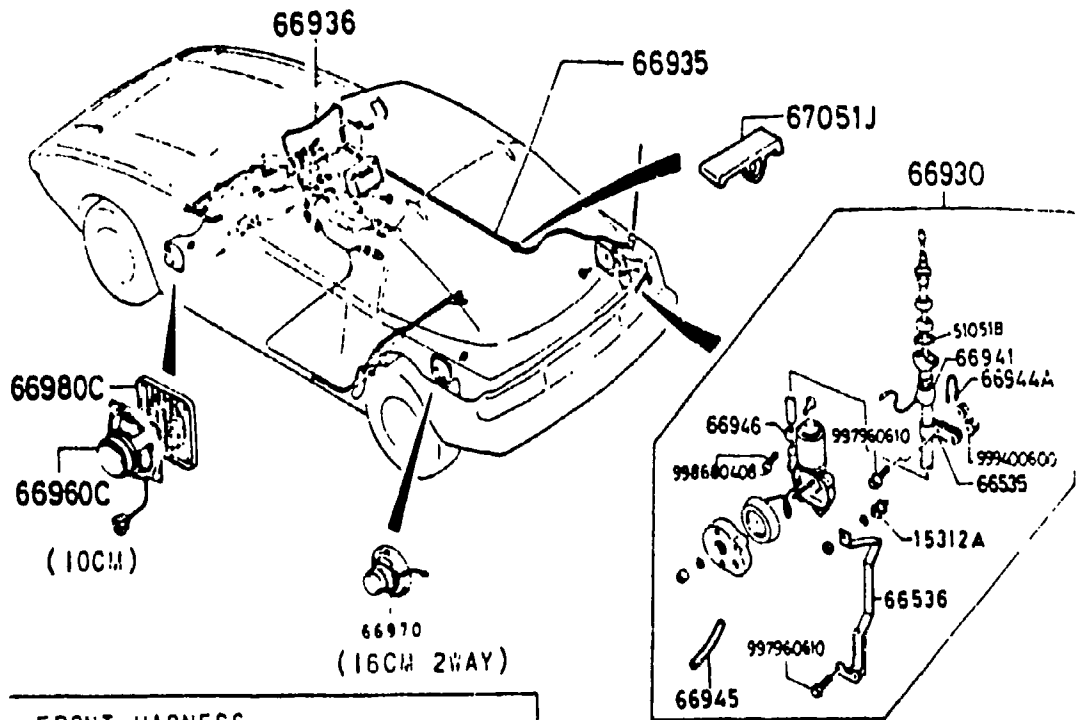
STARTING LOCATION	SECT NO	SECTION NAME	STARTING LOCATION	SECT. NO.	SECTION NAME	STARTING LOCATION	SECT NO	SECTION NAME
2 - C3	0900A	KEY SETS	2 - I7	6110A	HEATER UNIT COMPONENTS	2 - H10	6703A	WIRE HARNESS (DOOR, FLOOR CEILING)
2 - D3	5000A	FRONT BUMPER	2 - J7	6115A	HEATER CONTROLS COMPONENTS	2 - I10	6704A	WIRE HARNESS CLAMPS
2 - E3	5005A	RADIATOR GRILLE	2 - K7	6120A	HEATER BLOWER COMPONENTS	2 - J10	6720A	WINDSHIELD WASHER
2 - F3	5010A	REAR BUMPER	2 - L7	6125B	AIR CONDITIONER	2 - K10	6730A	WINDSHIELD WIPER
2 - G3	5030A	WINDOW MOULDINGS	2 - M7	6130B	AIR CONDITIONER (NIPPONDENSO)	2 - L10	6740A	WIPER MOTOR COMPONENTS (FRONT)
2 - H3	5040A	BODY MOULDINGS	2 - C8	6132B	AIR CONDITIONER (WYNN'S)	2 - M10	6750A	WINDOW WIPER & WASHER (REAR) (GSL, GSL-SE)
2 - I3	5060A	SIDE PROTECTORS	2 - D8	6140B	A. C COMPRESSOR BRACKETS (NIPPONDENSO)	2 - N10	6760A	WINDOW WIPER MOTOR COMPONENTS (REAR) (GSL, GSL-SE)
2 - J3	5100A	HEAD LAMPS	2 - F8	6142B	A. C COMPRESSOR COMPONENTS (WYNN'S)			
2 - K3	5103A	HEAD LAMP RETRACTOR	2 - H8	6145B	A/C COMPRESSOR COMPONENTS (NIPPONDENSO)	2 - C11	6800A	CEILING TRIM
2 - L3	5105A	FRONT COMBINATION LAMPS	2 - J8	6150B	COOLING UNIT (NIPPONDENSO)	2 - D11	6820A	PILLAR TRIM
2 - M3	5110A	REAR COMBINATION LAMPS	2 - L8	6152B	COOLING UNIT (WYNN'S)	2 - F11	6840A	TRIM & SCUFF PLATE
2 - N3	5120A	LICENSE LAMPS	2 - M8	6230A	BACK DOOR MECHANISM	2 - I11	6860A	FLOOR MATS & PADS
2 - C4	5125A	INTERIOR LAMPS	2 - N8	6300A	WINDOW GLASSES	2 - J11	6870A	SERVICE TOOLS
2 - D4	5170A	ORNAMENTS	2 - C9	6330A	SUNROOF (GSL, GSL-SE)	2 - K11	6900A	VISOR, ASSIST HANDLE & MIRRORS
2 - E4	5180A	COWL & EXTRACTOR GRILLES	2 - D9	6600A	SWITCH & RELAY (ENGINE)	2 - N11	6930A	CAUTION PLATES & LABEL
2 - F4	5230A	HOOD	2 - F9	6610A	DASHBOARD SWITCHES (MANUAL OPERATING)			
2 - G4	5310A	BODY PANELS (FRONT)	2 - G9	6611A	COMBINATION SWITCH			
2 - H4	5320A	BODY PANELS (FENDER & WHEEL APRON)	2 - H9	6612A	CLUSTER SWITCH (RIGHT SIDE)			
2 - I4	5330A	BODY PANELS (DASH & COWL PANEL)	2 - I9	6613A	CLUSTER SWITCH (LEFT SIDE)			
2 - J4	5340A	BODY PANELS (SIDE)	2 - J9	6615A	POWER WINDOW SWITCH			
2 - K4	5360A	BODY PANELS (ROOF)	2 - K9	6620A	DOOR, PARKING LAMP & KICKDOWN SWITCHES			
2 - L4	5370A	BODY PANELS (FLOOR)	2 - L9	6630A	RELAY & CPU (BODY)			
2 - M4	5390A	FLOOR ATTACHMENTS	2 - M9	6635A	HORN			
2 - C5	5500A	DASHBOARD EQUIPMENT	2 - N9	6640A	AUTO CRUISE CONTROLS			
2 - F5	5520A	METER HOOD	2 - C10	6680A	AUDIO SYSTEMS (RADIO & TAPE DECK)			
2 - G5	5530A	SPEEDOMETER CABLE	2 - D10	6682A	AUDIO SYSTEMS (ANTENNA & SPEAKER)			
2 - H5	5540A	METERS	2 - E10	6700A	WIRE HARNESS (FRONT & REAR)			
2 - I5	5550A	CLUSTER SWITCH COVER	2 - F10	6701A	WIRE HARNESS (ENGINE & TRANSMISSION)			
2 - J5	5560A	DASHBOARD & RELATED	2 - G10	6702A	WIRE HARNESS (DASHBOARD)			
2 - L5	5570A	CONSOLE						
2 - N5	5580A	VENTILATOR						
2 - C6	5700A	FRONT SEAT						
2 - H6	5790A	SEAT BELTS						
2 - I6	5800A	FRONT DOOR						
2 - J6	5830A	FRONT DOOR MECHANISMS						
2 - C7	5840A	FRONT DOOR TRIM & RELATED PARTS						
2 - H7	6100A	HEATER						

6680A-1 AUDIO SYSTEMS (RADIO & TAPE DECK)



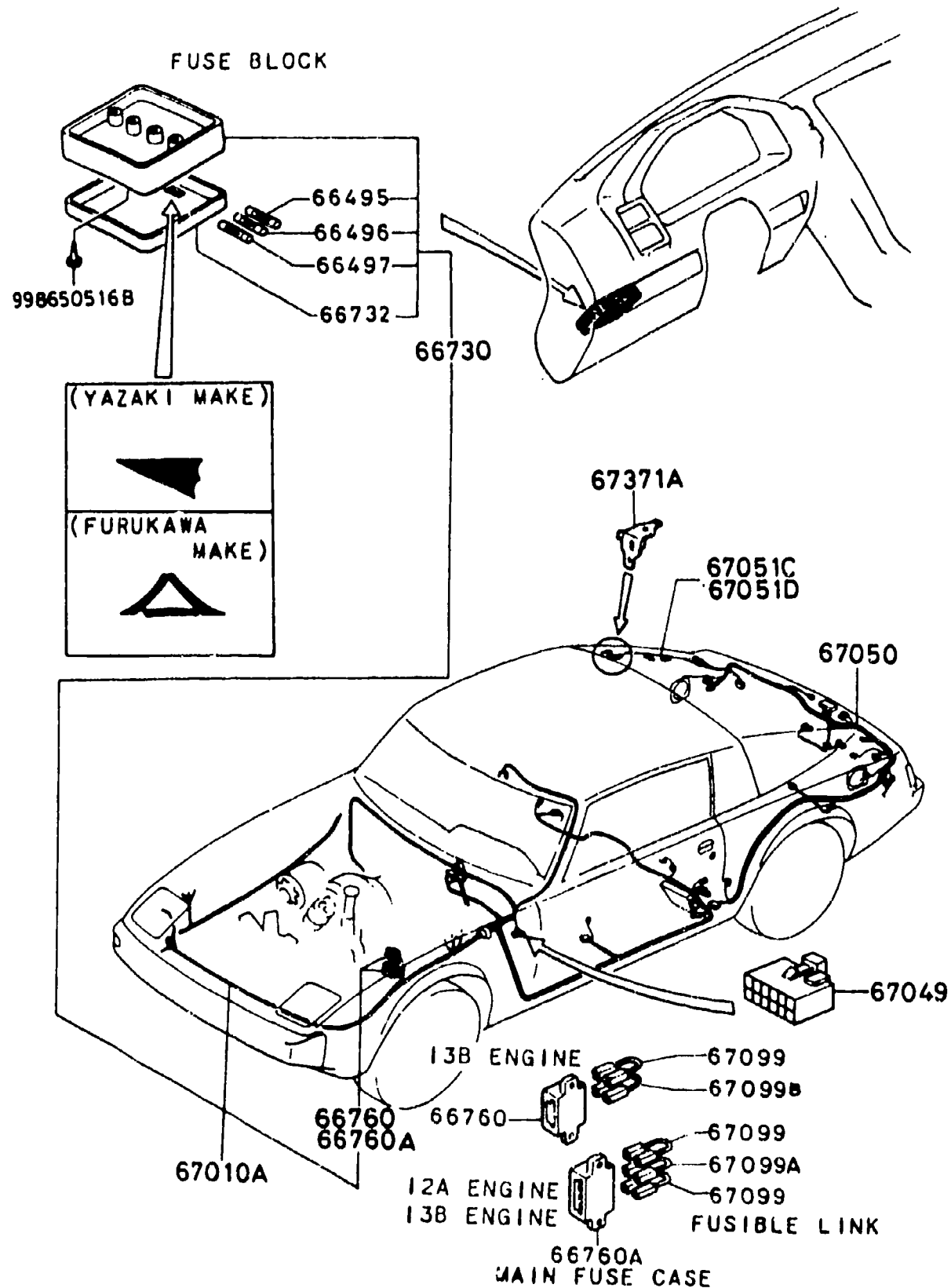
ITEM NO.	D-CODE	DESCRIPTION	PART NO.	QTY	MODEL/DESCRIPTION	REMARKS
55 231		STORAGE BOX	FA56-55-231B	1	(IF NOT EQUIPPED W/ GEQ)	(W/ RADIO & CASSETTE)
		BLACK	00			
55 991		STORAGE BOX	FA55-55-231D	1	(USE IF EQUIPPED W/ RADIO ONLY)	
		BLACK	00			
		BLACK	FA60-55-231A	1	FACE PLATE W/O RADIO	
		BLACK	00			
66 870E		MTR	0000-81-3015	1	(AM/FM PUSH-BUTTON-S, GS)	
66 890B		BRACKET	0000-81-9006-KT	1	(ALSO INCLUDES D-CODE 66-903)	
66 900		RADIO	0000-81-3015	1	MTR AM/FM PUSH-BUTTON-S, GS	
			0000-81-9006	1	ETR-GSL, GSL-SE	
66 900D		DECK, TAPE-CASSETTE	0000-81-8006-86	1		
66 903		BRACKET, TUNER	0000-81-9006-KT	1	ALSO INCLUDES D-CODE 66890B	
66 903C		KNOB, STOP			NOT AVAILABLE	
66 905C		KNOB SET, MTR CONTAINS ALL KNOBS FOR RADIO	0000-81-3015-KB	1	(S, GS)	
66 906C		KNOB SET, EQUALIZER	0000-81-302A-KB	1		
66 906D		KNOB	FA55-66-906	3		
66 907A		KNOB SET, ETR-CONTAINS ALL KNOBS FOR RADIO	0000-81-3105-KB	1	(GSL, GSL-SE)	
66 907B		KNOB, EQUALIZER 'BAND'			NOT AVAILABLE	
66 908		KNOB, PLAYER			NOT AVAILABLE	
66 912		KNOB, LARGE			USE D-CODE 66907A	
66 914		KNOB, VOLUME			USE D-CODE 66907A	
66 920A		AMPLIFIER, MAIN	0000-81-142C-83	1	(5W X 2) (USE W/ MTR)	
66 920D		EQUALIZER, GRAPHIC	0000-81-302A	1		
66 920F		AMPLIFIER POWER-REAR	0000-81-0287-83	1	(25W X 2) (USE W/ ETR)	
66 920G		BALANCER, STICK	0000-81-1231	1		
		SEE SERV. BULL. 007 '85, CAT. 15 FOR AUDIO TROUBLESHOOT INFO.				
		REFER TO ACCESSORY BULLETIN XS-2 FOR MORE AUDIO APPLICATION INFO.				

**6682A-1 AUDIO SYSTEMS
(ANTENNA & SPEAKER)**



ITEM NO.	D-CODE	DESCRIPTION	PART NO.	QTY	MODEL/DESCRIPTION	REMARKS
	15 312A	RUBBER, INSULATION	1757-15-312	1		
	51 051B	PROTECTOR	8572-51-051	1		
	66 535	BRACKET, ANTENNA NO. 1	FA02-66-941	1		
	66 536	BRACKET, ANTENNA NO. 2	FA43-66-942	1		
	66 910A	CORD, DIN	FA54-66-910A	1	(USE W/O BALANCER) (SHORT CORD-S & GS)	
			FA55-66-910A	1	(USE W/ MTR 'Y' STYLE CORD-S & GS)	
	66 910B	CORD, DIN	FA59-66-910D	1	(FOR ETR-GSL, GSL-SE)	
	66 930	ANTENNA	FA42-66-930A	1		
	66 935	FEEDER-ANTENNA	FA54-66-940C	1		
	66 936	EXTENSION, FEEDER	FA54-66-936	1		
	66 941	POLE, ANTENNA	FA42-66-941A	1		
	66 944A	FEEDER, ANTENNA	FA01-66-944	1		
	66 945	PIPE	FA42-66-945	1		
	66 946	BAND	FA01-66-946	1		
	66 960C	SPEAKER, FRONT	0000-81-521 -01	2	(10 CM)	
	66 970	SPEAKER, LOUD-REAR	0000-81-5216-01	2	(16 CM 2-WAY)	
	66 970G	CORD, SHORT	FA07-66-970	1		
	66 980C	GRILLE, SPEAKER	FA07-66-980	2		
	66 992	CONDENSOR	0820-66-992	1		
	67 051J	CLIP	FA54-67-051	1		
	67 861	WIRE, RADIO GROUND	0710-66-868A	1		

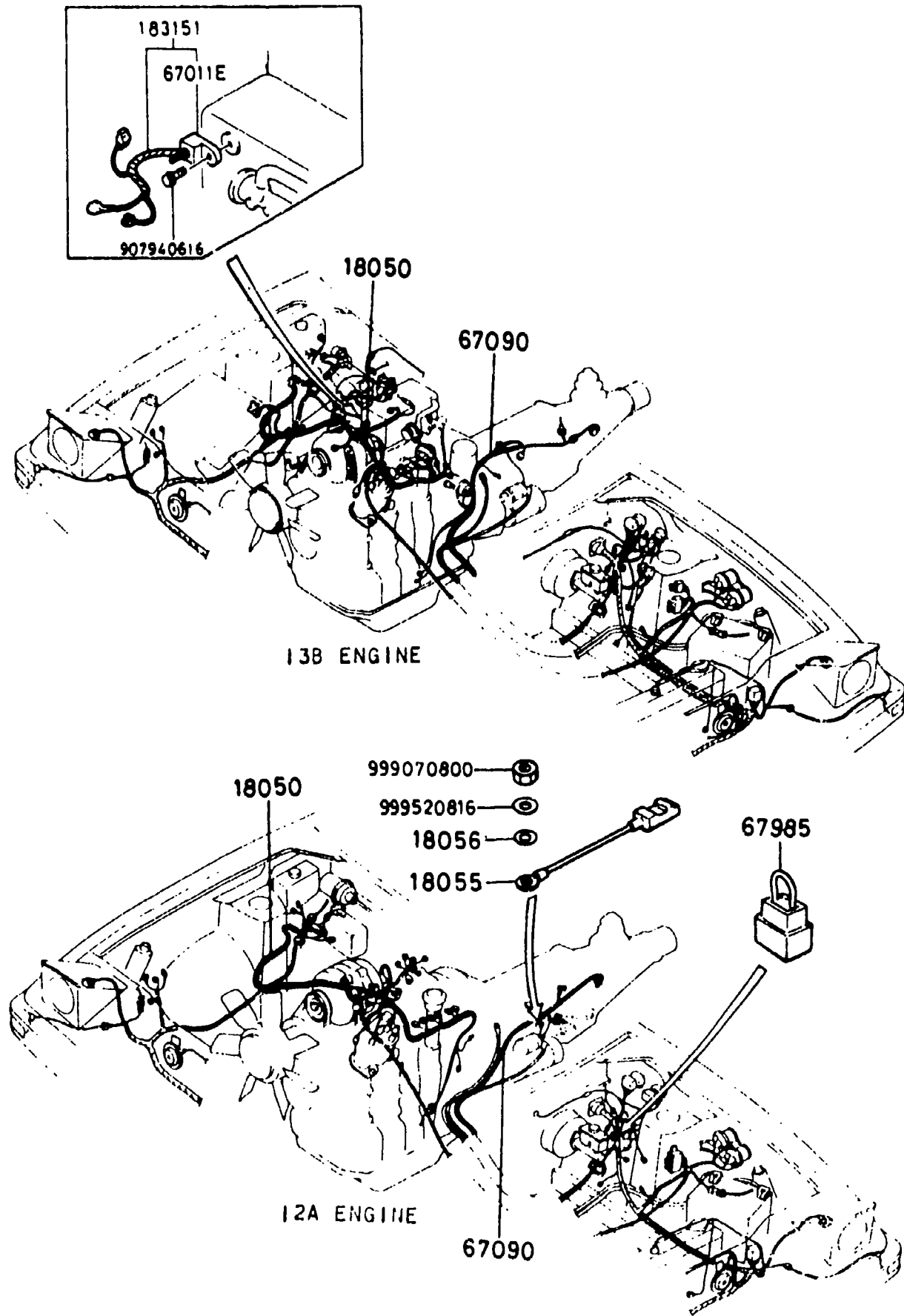
6700A-1 WIRE HARNESS (FRONT & REAR)



SECTION NO.	SECTION NAME
6700A	WIRE HARNESS (FRONT & REAR)
6701A	WIRE HARNESS (ENGINE & T/MISSION)
6702A	WIRE HARNESS (DASHBOARD)
6703A	WIRE HARNESS (DOOR, FLOOR / CEILING)
6704A	WIRE HARNESS CLAMPS

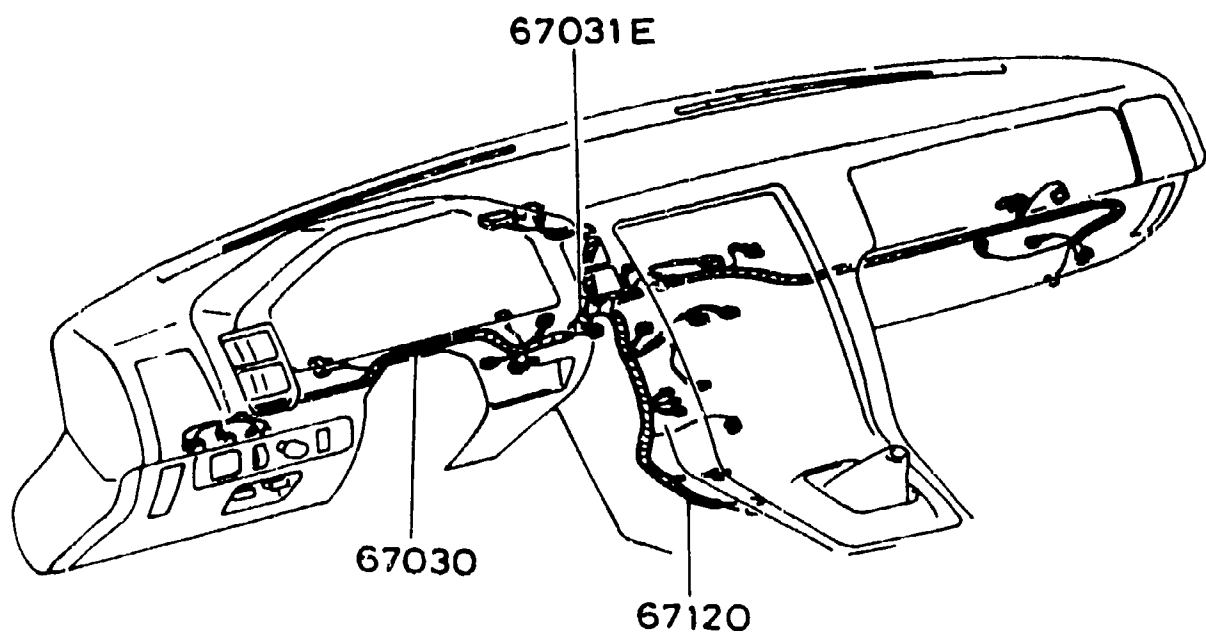
ITEM NO.	D-CODE	DESCRIPTION	PART NO.	QTY	MODEL/DESCRIPTION	REMARKS
66 495		FUSE (10A)	9970-51-110	4		
		< AN >	0000-11-001	4		
66 496		FUSE (15A)	9970-51-115	7		
		< AN >	0000-11-0015	7		
66 497		FUSE (20A)	9970-51-120	5		
		< AN >	0000-11-002	5		
66 730		BLOCK, FUSE	FA54-66-730	1		
66 732		COVER	FA54-66-731	1	(FURUKAWA MAKE)	
			FA54-66-732	1	(YAZAKI MAKE)	
66 760		CASE	H003-66-760	1	13B (GSL-SE)	
66 760A		CASE, MAIN FUSE	FA56-66-760	1		
67 010A		HARNESS, FRONT	FA54-67-010L	1	12A (S, GS, GSL)	
			FA66-67-010K	1	13B (GSL-SE)	
		SEE SERV. BULLETIN 012/85, CAT. 15 FOR MORE HARNESS INFO.				
67 049		CONNECTOR, FRT. WIRING	FA54-67-049A	1		
67 050		HARNESS, REAR	FA54-67-050F	1		
		SEE SERV. BULL. 016/85, CAT. 15 FOR MORE HARNESS INFO.				
67 051C		CORD, RR. DEF.	8341-67-051A	1		
67 051D		CORD, RR. DEF.	1480-67-051B	1	(USE W/REAR WIPER) (GSL, GSL-SE)	
			8341-67-051A	1	(USE W/O REAR WIPER) (S, GS)	
67 099		LINK, FUSIBLE	8871-67-099		(10M OHM) (BROWN)	
				2	12A (S, GS, GSL)	
				3	13B (GSL-SE)	
67 099A		LINK, FUSIBLE	3777-67-099	1	(7M OHM) (BLACK)	
67 099B		LINK, FUSIBLE	3775-67-099	1	13B (GSL-SE)	
67 371A		TERMINAL	FA01-75-899	2	(USE W/RR. WIPER) GSL, GSL-SE	

**6701A-1 WIRE HARNESS
(ENGINE & TRANSMISSION)**



ITEM NO.	D-CODE	DESCRIPTION	PART NO.	QTY	MODEL/DESCRIPTION	REMARKS
	18 050	WIRING, ENGINE	N249-18-051G	1	12A (S, GS, GSU)	
			N304-18-051E	1	13B (GSL-SE)	
	18 055	LINK, FUSIBLE	8341-18-055	1	12A (S, GS, GSU)	
	18 056	WASHER, LOCK	8872-18-056	1	A/T	
	18 3151	CORD, ALTERNATOR	N304-18-315A	1	13B (GSL-SE)	
	67 011E	COVER, TERMINAL	FA66-67-011	1	13B (GSL-SE)	
	67 090	HARNESS, T/MISSION	FA54-67-090B	1	12A M/T (S, GS, GSU)	
			FA57-67-090D	1	A/T (S, GS, GSU)	
			FA66-67-090C	1	13B	
	67 985	CONNECTOR, SHORT	8342-67-985	1	A/T	

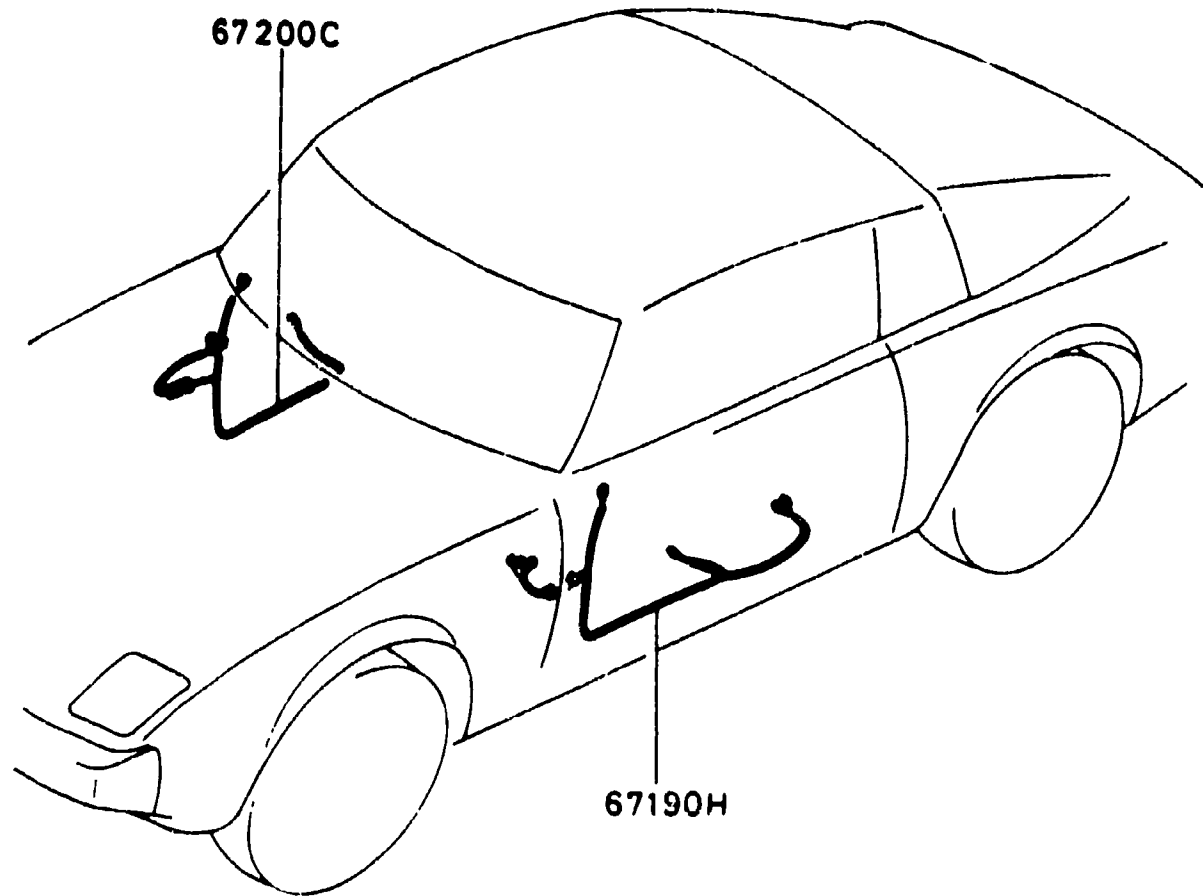
6702A-1 WIRE HARNESS (DASHBOARD)



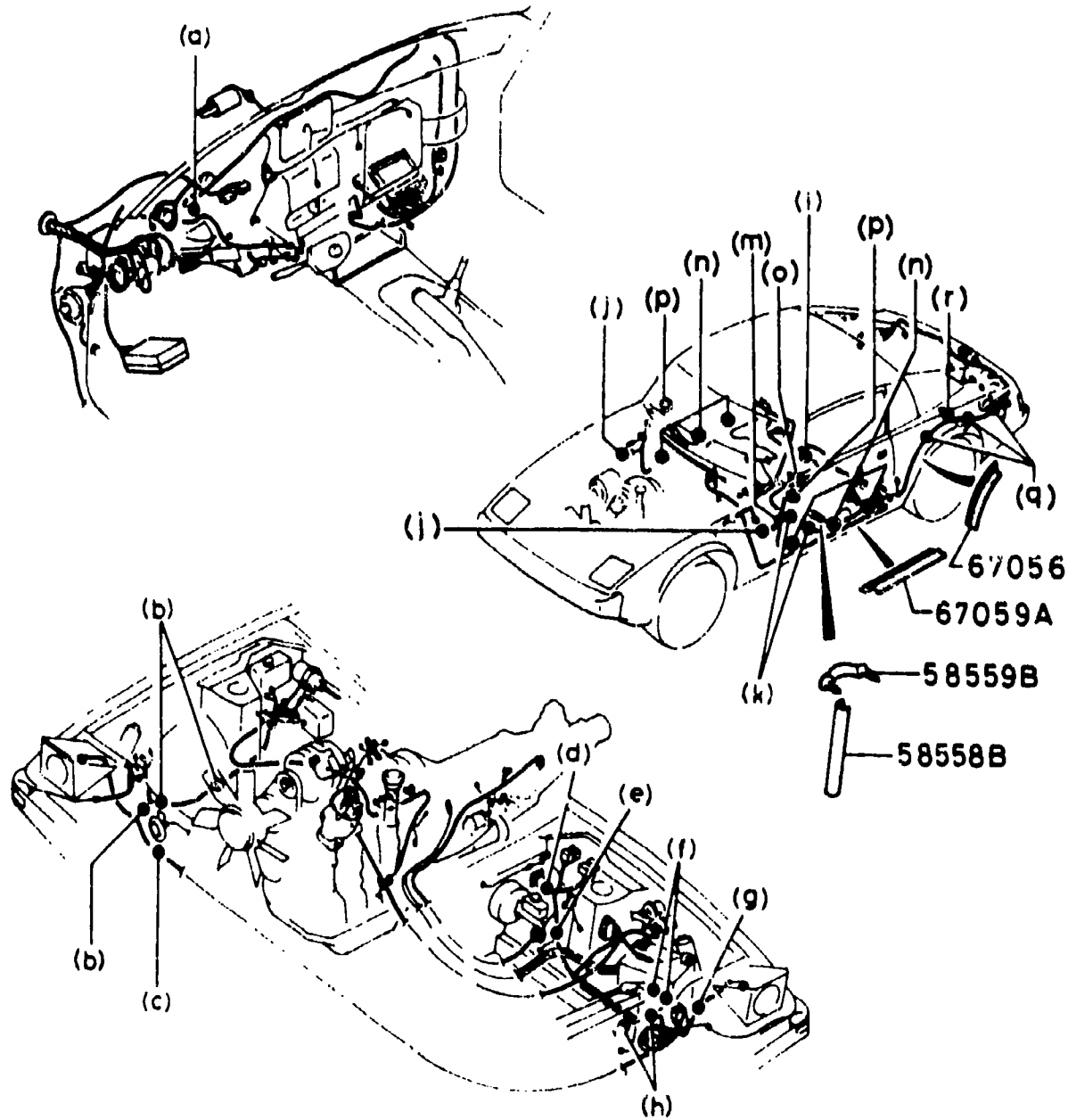
ITEM NO.	D-CODE	DESCRIPTION	PART NO.	QTY	MODEL/DESCRIPTION	REMARKS
	67 030	HARNESS, INSTRUMENT	FA54-67-030F	1		
	67 031E	CLIP, INST. HARNESS	FA54-67-031	1		
	67 120	HARNESS, PARK. BRAKE	FA54-67-120C	1	(USE W/O POW. WINDOW) (S, GS)	
			FA58-67-120D	1	(USE W/POW. WINDOW) (GSI, GSI-SE)	

**6703A-1 WIRE HARNESS
(DOOR, FLOOR/CEILING)**

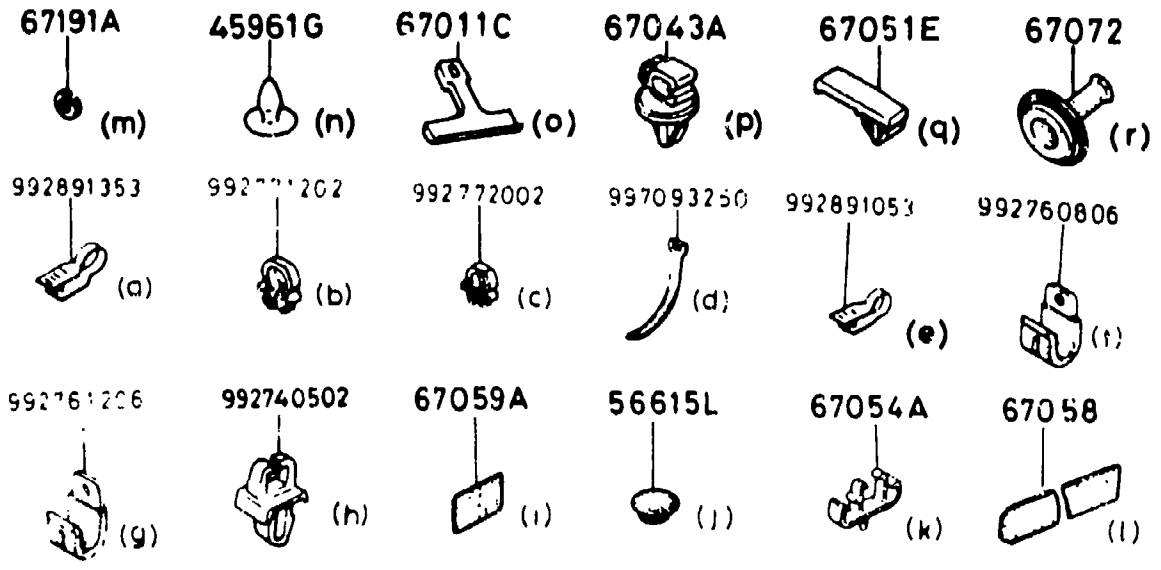
ITEM NO.	D-CODE	DESCRIPTION	PART NO.	QTY	MODEL/DESCRIPTION	REMARKS
	67 190H	HARNESS (L), DOOR	FA54-67-190B	1	(USE W/O POW. WINDOW) (S, GS)	
			FA58-67-190B	1	(USE W/POW. WINDOW) (GSL, GSL-SE)	
	67 200C	HARNESS (R), DOOR	FA54-67-200B	1	(USE W/O POW. WINDOW) (S, GS)	
			FA58-67-200B	1	(USE W/POW. WINDOW) (GSL, GSL-SE)	



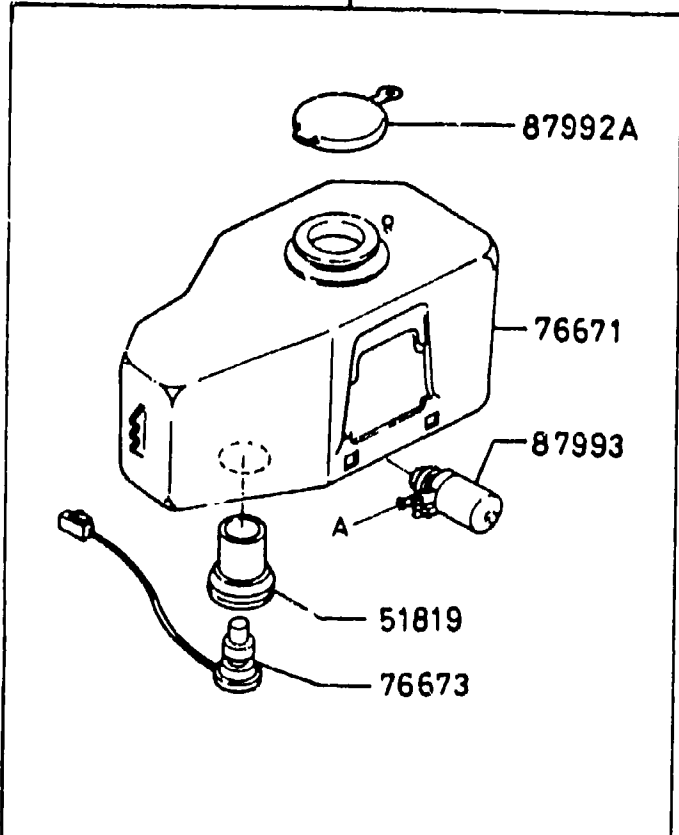
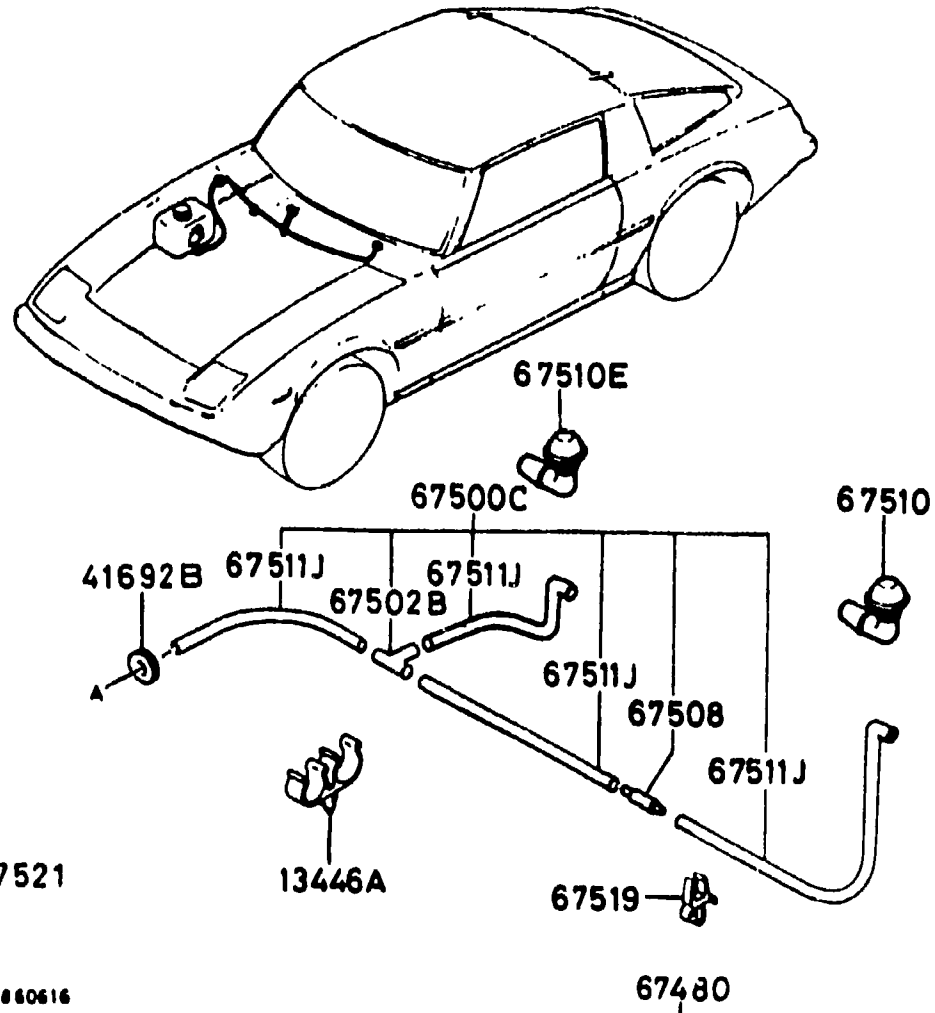
6704A-1 WIRE HARNESS CLAMPS



ITEM NO.	D-CODE	DESCRIPTION	PART NO.	QTY	MODEL/DESCRIPTION	REMARKS
45 961G		CAP	H002-45-961	6	(FOR DOOR HARNESS)	
56 615L		PLUG, DRAIN	0222-61-622	4	(USE W/O DOOR HARNESS)	
58 558B		PROTECTOR, WIRE	1243-58-558	2	(USE W/ POW. WINDOW) (GSL, GSL-SE)	
58 559B		CLIP, WIRE	H001-67-051	1	(FOR DOOR HARNESS)	
67 011C		CLIP	FA54-67-011	2		
67 043A		CLIP	G030-67-043A	2		
67 051E		CLIP	FA54-67-051	1	(FOR REAR HARNESS)	
67 054A		CLIP	G030-67-054	2	(FOR FLOOR WIRING)	
67 056		PROTECTOR	G001-67-059	9	(FOR REAR AND FRONT HARNESS) (FOR ANTENNA AMP)	
67 058		PROTECTOR	G001-67-058	1	(FOR ANTENNA)	
67 059A		PROTECTOR	G001-67-061	1	(FOR FLOOR WIRING) (FOR FRONT HARNESS)	
67 072		GROMMET	FA54-67-062	1	(FOR REAR HARNESS)	
67 191A		CLIP	HA71-67-191	2	(FOR DOOR HARNESS)	

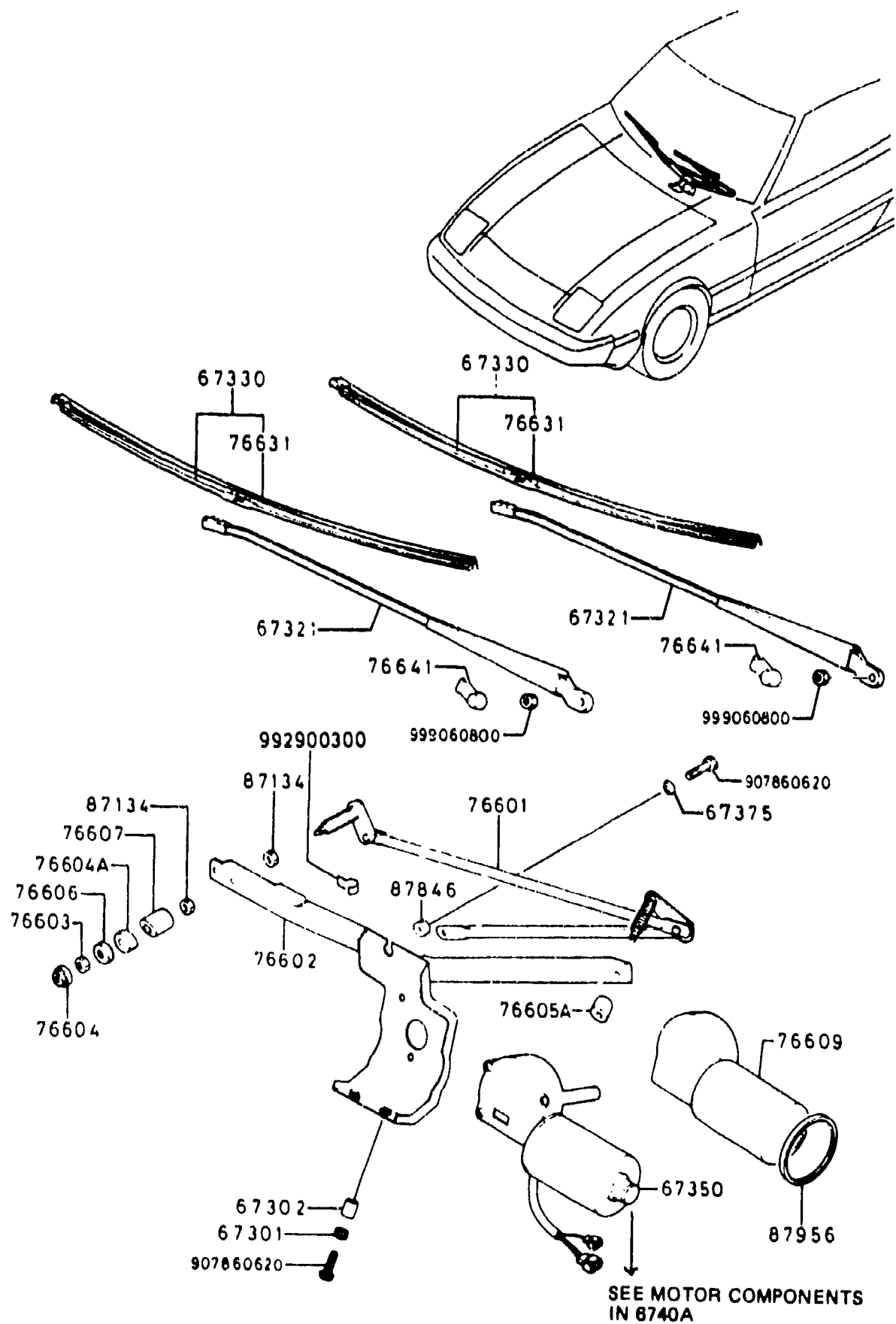


6720A-1 WINDSHIELD WASHER



ITEM NO.	D-CODE	DESCRIPTION	PART NO.	QTY	MODEL/DESCRIPTION	REMARKS
	13 446A	CLIP	N231-13-446	1		
	41 692B	PROTECTOR	0866-67-156	2		
	51 819	BAFFLE	FA24-51-817	1		
	67 480	TANK, WASHER	FA42-67-480B	1		
	67 500C	PIPE, SCREEN WASHER	FA68-67-500A	1		
	67 502B	JOINT, HOSE	H001-67-502	1		
	67 508	VALVE, CHECK	FA54-67-508	1		
	67 510	NOZZLE (L), WASHER-FRONT	FA54-67-510	1		
	67 510E	NOZZLE (R), WASHER-FRONT	FA68-67-510	1		
	67 511J	PIPE, SCREEN WASHER	9932-80-4010	1	BULK QTY.	
	67 519	CLIP, PIPE	B001-67-519	2		
	67 521	BRACKET, WASHER TANK	8545-53-225	1		
			0398-53-239	1	FROM MAR. '85 PROD.	FB33* ..889474-
	76 671	TANK	FA42-76-671A	1		
	76 673	SWITCH, LEVEL	FA42-76-673A	1		
	87 992A	CAP TANK	BA02-76-673	1		
	87 993	PUMP KIT	8532-76-672	1		

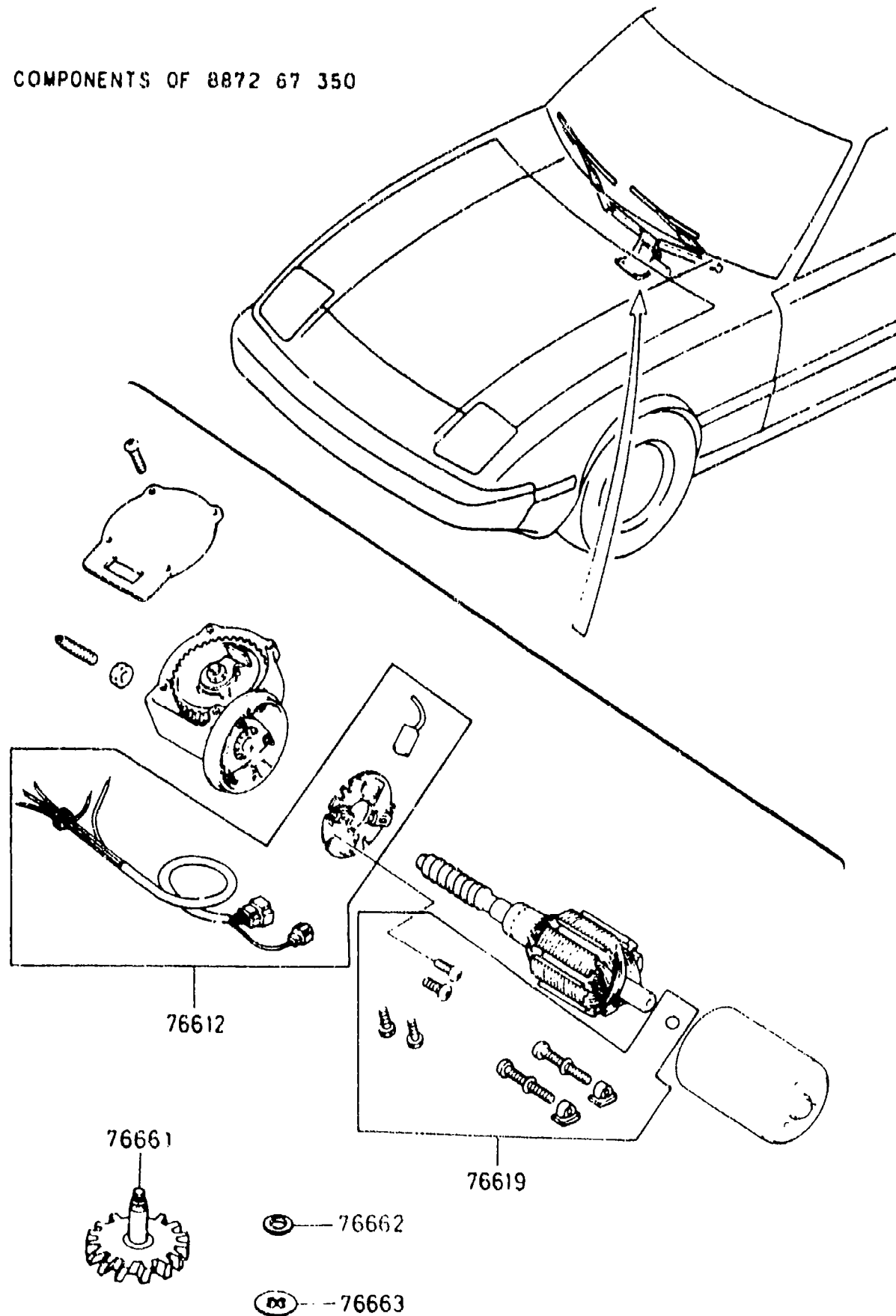
6730A-1 WINDSHIELD WIPER



ITEM NO.	D-CODE	DESCRIPTION	PART NO.	QTY	MODEL/DESCRIPTION	REMARKS
67 301		WASHER, RUBBER	0866-67-301A	2		
67 302		SPACER	0866-67-302	2		
67 321		ARM, WIPER	FA54-67-321	2		
67 330		BLADE, WIPER	HA40-67-330	2		
67 350		MOTOR, WIPER	8872-67-350A	1		
67 375		WASHER, CAP	F001-67-375	2		
76 601		LINK, WIPER	FA54-76-601A	1		
76 602		FRAME	8871-76-602B	1		
76 603		NUT, CAP	8871-76-657	2		
76 604		CAP, SEAL	8871-76-655A	2		
76 604A		BUSHING, OUTER	8871-76-604A	2		
76 605A		BUSHING, INNER	FA54-76-605	1		
76 606		WASHER, CUP	8871-76-656A	2		
76 607		BUSHING, INNER	8871-76-603A	1		
76 609		COVER	1175-76-609	1		
76 631		BLADE	HA40-76-631	2		
76 641		COVER, WIPER ARM	8871-76-641	2		
87 134		NUT	0727-87-844	4		
87 846		GROMMET	0824-87-846	2		
87 956		BAND	0305-87-956	1		

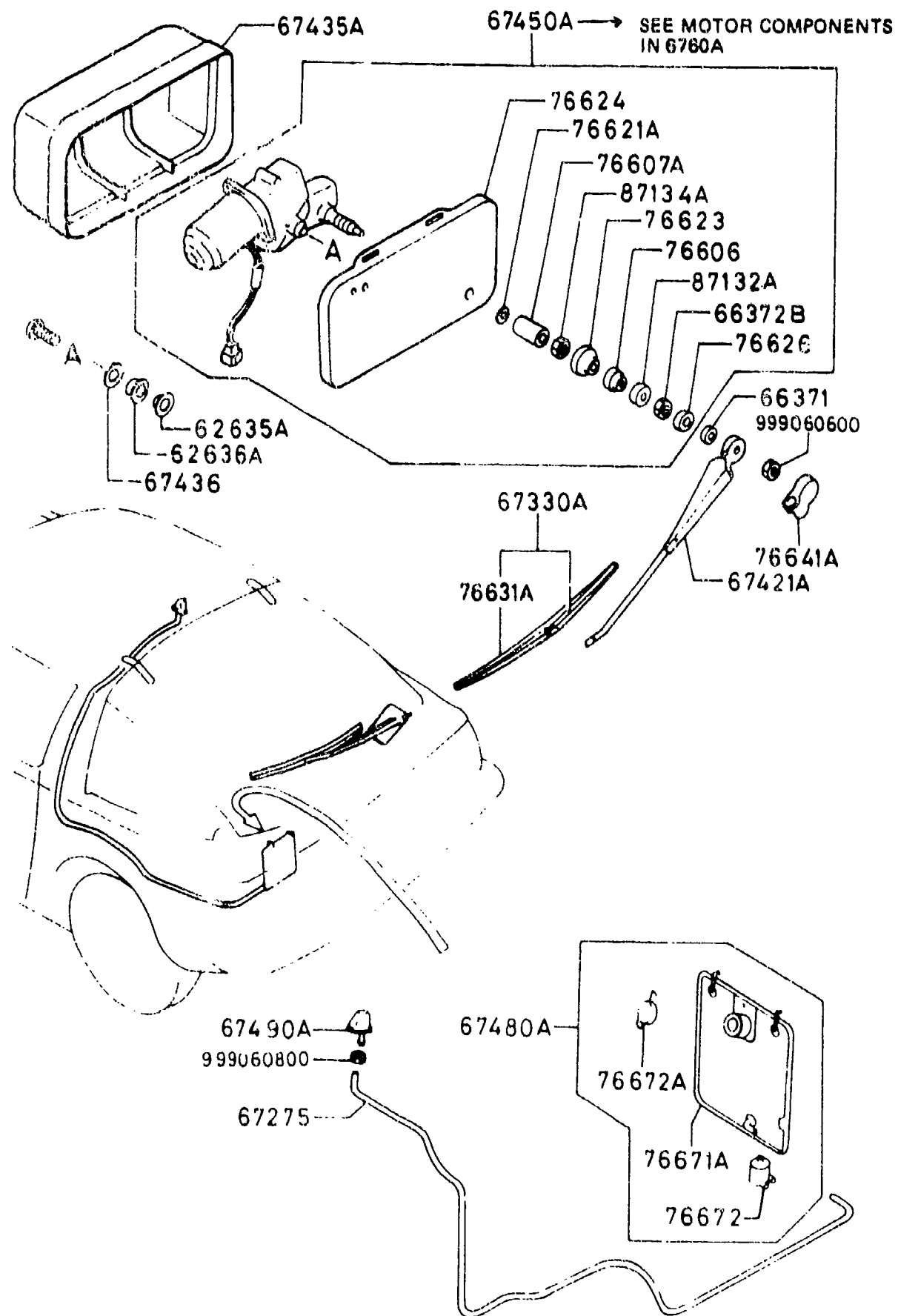
6740A-1 WIPER MOTOR COMPONENTS (FRONT)

COMPONENTS OF 8872 67 350



ITEM NO.	D-CODE	DESCRIPTION	PART NO.	QTY	MODEL/DESCRIPTION	REMARKS
	76 612	HOLDER, BRUSH	8872-76-612	1	THRU FEB. '85 PROD.	FB33* ..800001-887766
			8872-76-612A	1	FROM MAR. '85 PROD.	FB33* ..887767-
	76 619	PARTS SET	8236-76-619A	1		
	76 661	GEAR, SHAFT	8239-76-661	1	(9MM) THRU FEB. '85 PROD.	FB33* ..800001-887766
			W047-67-354	1	(10MM) FROM MAR. '85 PROD	FB33* ..887767-
	76 662	WASHER	8239-76-662	1		
	76 663	WASHER, TOOTHED	8239-76-663	1		

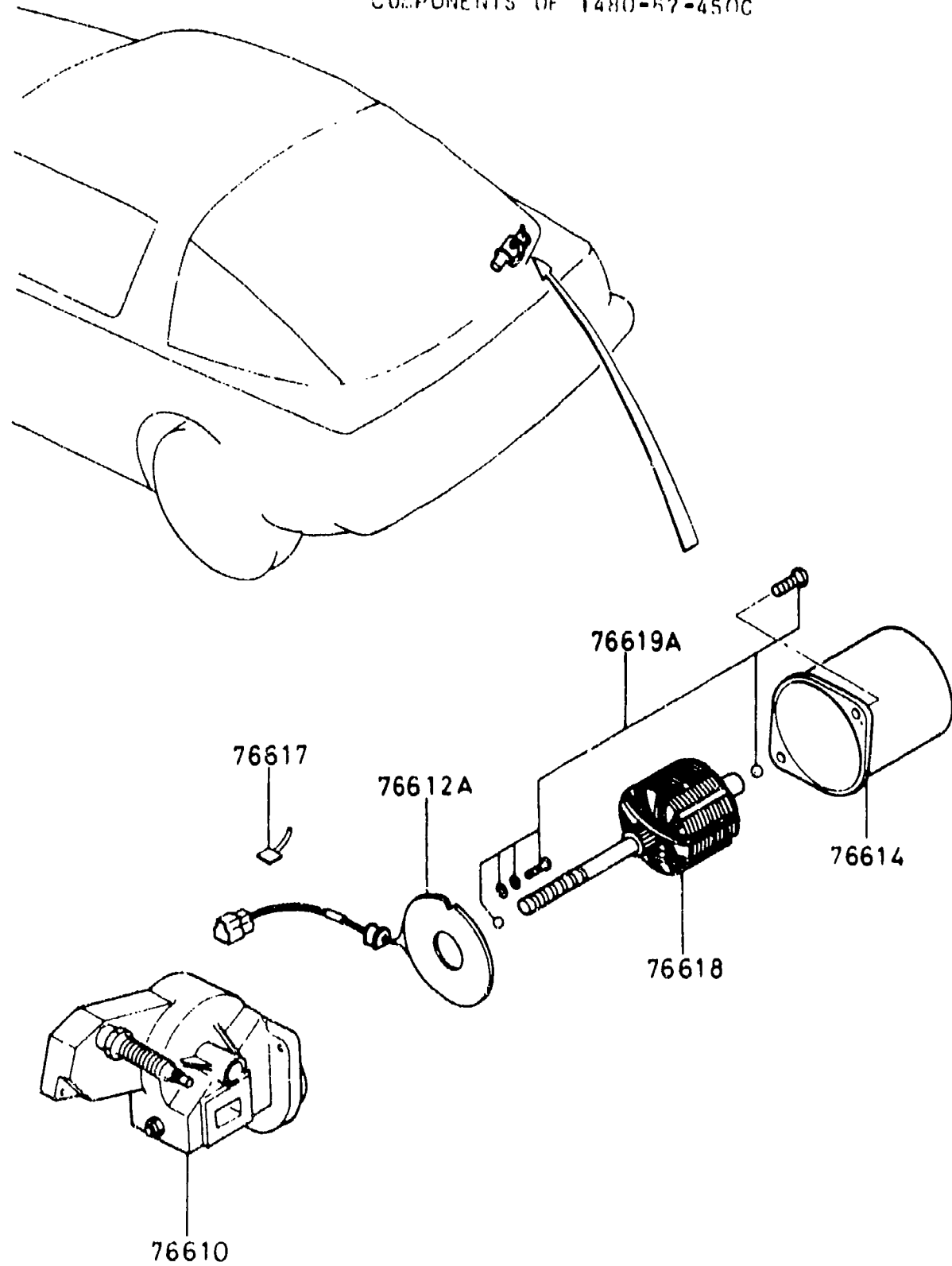
**6750A-1 WINDOW WIPER & WASHER
(REAR) (GSL, GSL-SE)**



ITEM NO.	D-CODE	DESCRIPTION	PART NO.	QTY	MODEL/DESCRIPTION	REMARKS
62 635A		NUT	8871-62-635A	1		
62 636A		WASHER	8871-62-636A	1		
66 371		CAP. SEAL	0212-66-371	1		
66 372B		NUT	0212-66-372A	1		
67 275		HOSE, SCREEN WASHER	1480-67-501A	1		
67 330A		BLADE, WIPER	8144-67-330A	1		
67 421A		ARM, WIPER	1480-67-421A	1		
67 435A		COVER, WIPER MOTOR	1480-67-435	1		
67 436		SPACER	1480-67-436	1		
67 450A		MOTOR	1480-67-450C	1		
		(COMPONENTS IN 6760A)				
67 480A		TANK	1410-67-480C	1		
67 490A		NOZZLE, WASHER-RR. WINDOW	1480-67-510	1		
76 606		BUSHING	1480-67-606	1		
76 607A		BUSHING, INNER	1480-76-607	1		
76 621A		WASHER	1029-76-621	1		
76 623		BUSHING, INNER	1480-76-623	1		
76 624		BRACKET, WIPER MOTOR	1480-76-624A	1		
76 626		NUT, LOCK PLATE	1480-76-626	1		
76 631A		BLADE	8AG1-76-631A-BP	1	(BLISTER PACK)	
76 641A		COVER, WIPER, ARM	8134-76-641	1		
76 671A		TANK, WASHER-RR. WIPER	1410-76-671	1		
76 672		PUMP, WASHER	1410-67-530	1		
76 672A		CAP. TANK	1410-76-672A	1		
87 132A		WASHER	0702-87-132	1		
87 134A		NUT	0259-87-134	1		

**6780A-1 WINDOW WIPER MOTOR COMPONENTS
(REAR) (GSL, GSL-SE)**

COMPONENTS OF 1480-57-450C

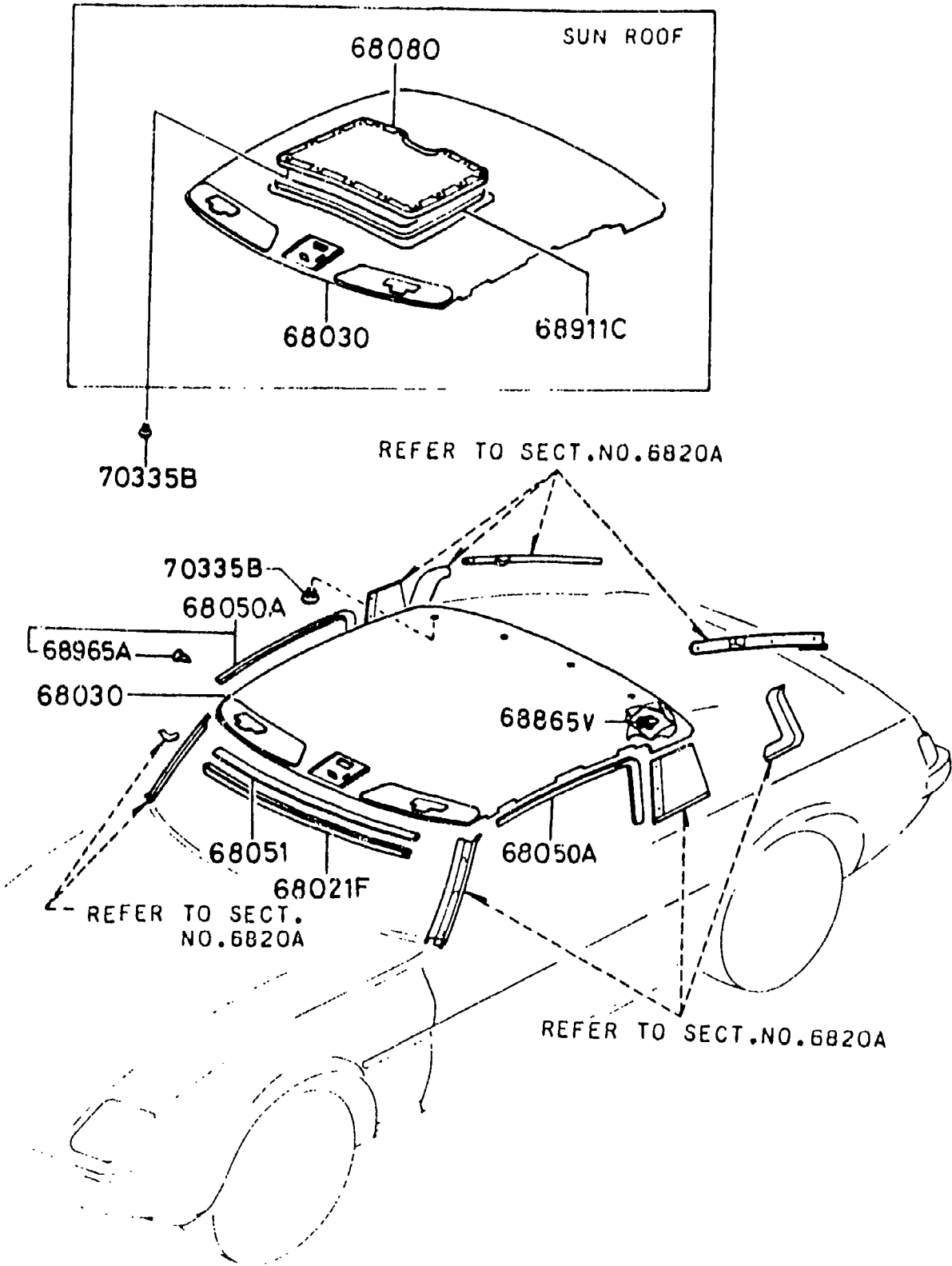


ITEM NO.	D-CODE	DESCRIPTION	PART NO	QTY	MODEL/DESCRIPTION	REMARKS
	76 610	BOX, GEAR	1480-76-610	1		
	76 612A	PLATE, HOLDER-BRUSH	1480-76 512	1		
	76 614	YOKE, STATOR	8532-76-614	2		
	76 617	BRUSH	8532-76-617	2		
	76 618	ROTOR	8532-76-618	1		
	76 619A	PARTS SET	1410-76-619	1		

SECTION INDEX -- BODY

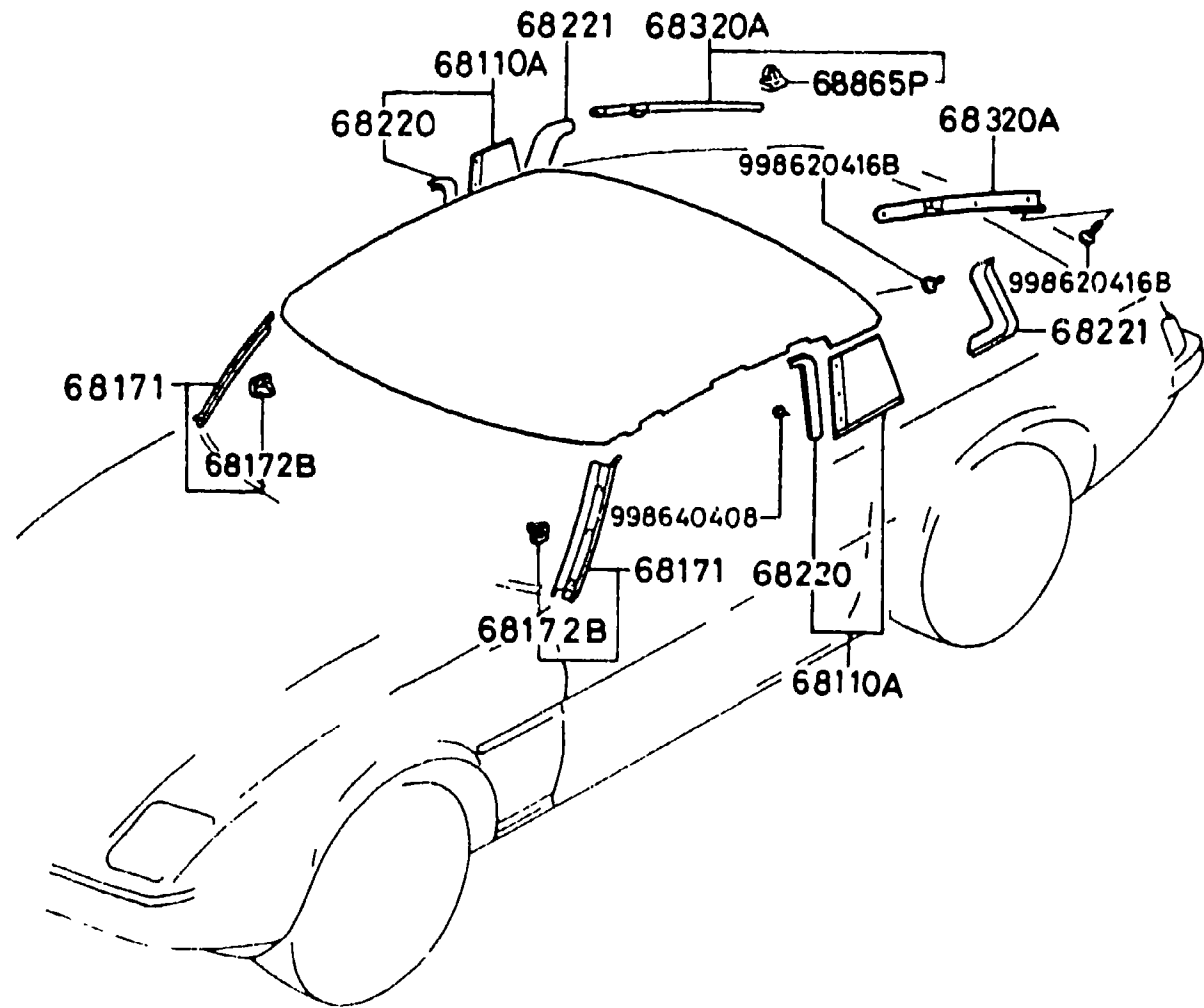
STARTING LOCATION	SECT. NO.	SECTION NAME	STARTING LOCATION	SECT. NO.	SECTION NAME	STARTING LOCATION	SECT. NO.	SECTION NAME
2 - C 3	0900A	KEY SETS	2 - I 7	6110A	HEATER UNIT COMPONENTS	2 - I10	6704A	WIRE HARNESS CLAMPS
2 - D 3	5000A	FRONT BUMPER	2 - J 7	6115A	HEATER CONTROLS COMPONENTS	2 - J10	6720A	WINDSHIELD WASHER
2 - E 3	5005A	RADIATOR GRILLE	2 - K 7	6120A	HEATER BLOWER COMPONENTS	2 - K10	6730A	WINDSHIELD WIPER
2 - F 3	5010A	REAR BUMPER	2 - L 7	6125B	AIR CONDITIONER	2 - L10	6740A	WIPER MOTOR COMPONENTS (FRONT)
2 - G 3	5030A	WINDOW MOULDINGS	2 - M 7	6130B	AIR CONDITIONER (NIPPONDENSO)	2 - M10	6750A	WINDOW WIPER & WASHER (REAR) (GSL, GSL-SE)
2 - H 3	5040A	BODY MOULDINGS	2 - C 8	6132B	AIR CONDITIONER (WYNN'S)	2 - N10	6760A	WINDOW, WIPER MOTOR COMPONENTS (REAR) (GSL, GSL-SE)
2 - I 3	5060A	SIDE PROTECTORS	2 - D 8	6140B	A/C COMPRESSOR/BRA CKETS (NIPPONDENSO)			
2 - J 3	5100A	HEAD LAMPS	2 - F 8	6142B	A/C COMPRESSOR COMPONENTS (WYNN'S)	2 - C11	6800A	CEILING TRIM
2 - K 3	5103A	HEAD LAMP RETRACTOR	2 - H 8	6145B	A/C COMPRESSOR COMPONENTS (NIPPONDENSO)	2 - D11	6820A	PILLAR TRIM
2 - L 3	5105A	FRONT COMBINATION LAMPS	2 - J 8	6150B	COOLING UNIT (NIPPONDENSO)	2 - F11	6840A	TRIM & SCUFF PLATE
2 - M 3	5110A	REAR COMBINATION LAMPS	2 - L 8	6152B	COOLING UNIT (WYNN'S)	2 - I11	6860A	FLOOR MATS & PADS
2 - N 3	5120A	LICENSE LAMPS	2 - M 8	6230A	BACK DOOR MECHANISM	2 - J11	6870A	SERVICE TOOLS
2 - C 4	5125A	INTERIOR LAMPS	2 - N 8	6300A	WINDOW GLASSES	2 - K11	6900A	VISOR, ASSIST HANDLE & MIRRORS
2 - D 4	5170A	ORNAMENTS	2 - C 9	6330A	SUNROOF (GSL, GSL-SE)	2 - N11	6930A	CAUTION PLATES & LABEL
2 - E 4	5180A	COWL & EXTRACTOR GRILLES	2 - D 9	6600A	SWITCH & RELAY (ENGINE)			
2 - F 4	5230A	HOOD	2 - F 9	6610A	DASHBOARD SWITCHES (MANUAL OPERATING)			
2 - G 4	5310A	BODY PANELS (FRONT)	2 - G 9	6611A	COMBINATION SWITCH			
2 - H 4	5320A	BODY PANELS (FENDER & WHEEL APRON)	2 - H 9	6612A	CLUSTER SWITCH (RIGHT SIDE)			
2 - I 4	5330A	BODY PANELS (DASH & COWL PANEL)	2 - I 9	6613A	CLUSTER SWITCH (LEFT SIDE)			
2 - J 4	5340A	BODY PANELS (SIDE)	2 - J 9	6615A	POWER WINDOW SWITCH			
2 - K 4	5360A	BODY PANELS (ROOF)	2 - K 9	6620A	DOOR, PARKING LAMP & KICKDOWN SWITCHES			
2 - L 4	5370A	BODY PANELS (FLOOR)	2 - L 9	6630A	RELAY & CPU (BODY)			
2 - M 4	5390A	FLOOR ATTACHMENTS	2 - M 9	6635A	HORN			
2 - C 5	5500A	DASHBOARD EQUIPMENT	2 - N 9	6640A	AUTO CRUISE CONTROLS			
2 - F 5	5520A	METER HOOD	2 - C10	6680A	AUDIO SYSTEMS (RADIO & TAPE DECK)			
2 - G 5	5530A	SPEEDOMETER CABLE	2 - D10	6682A	AUDIO SYSTEMS (ANTENNA & SPEAKER)			
2 - H 5	5540A	METERS	2 - E10	6700A	WIRE HARNESS (FRONT & REAR)			
2 - I 5	5550A	CLUSTER SWITCH COVER	2 - F10	6701A	WIRE HARNESS (ENGINE & TRANSMISSION)			
2 - J 5	5560A	DASHBOARD & RELATED	2 - G10	6702A	WIRE HARNESS (DASHBOARD)			
2 - L 5	5570A	CONSOLE	2 - H10	6703A	WIRE HARNESS (DOOR, FLOOR CEILING)			
2 - N 5	5580A	VENTILATOR						
2 - C 6	5700A	FRONT SEAT						
2 - H 6	5790A	SEAT BELTS						
2 - I 6	5800A	FRONT DOOR						
2 - J 6	5830A	FRONT DOOR MECHANISMS						
2 - C 7	5840A	FRONT DOOR TRIM & RELATED PARTS						
2 - H 7	6100A	HEATER						

6800A-1 CEILING TRIM



ITEM NO.	D-CODE	DESCRIPTION	PART NO	QTY	MODEL/DESCRIPTION	REMARKS
	68 021F	GARNISH, TOP-FRONT	FA01-68-021	1		
		RED	10			
		OFF-BLACK	65			
		BROWN	78			
	68 030	CEILING, TOP	FA54-68-030A	1	NORM. ROOF (S)	
		RED	16			
		OFF-BLACK	64			
		BROWN	77			
			FA56-68-030	1	SUNROOF (GS, GSL, GSL-SE)	
		RED	16			
		OFF-BLACK	64			
		BROWN	77			
	68 050A	GARNISH (R), TOP-SIDE	FA01-68-960C	1		
		RED	11			
		OFF-BLACK	65			
		BROWN	78			
		GARNISH (L), TOP-SIDE	FA01-68-970B	1		
		RED	11			
		OFF-BLACK	65			
		BROWN	78			
	68 051	PLATE, CEILING-FRT.	8871-53-041	1		
	68 080	CEILING, TOP	FA56-68-070A	1	SUNROOF (GS, GSL, GSL-SE)	
		RED	16			
		OFF-BLACK	64			
		BROWN	77			
	68 865V	FASTENER, TOP CEILING	B040-68-865A	4		
		BLACK	00			
	68 911C	WELT, SEAMING	FA01-68-029A	1	SUNROOF (GS, GSL, GSL-SE)	
	68 965A	FASTENER	FA56-68-965	9		
	70 335B	CLIP, D TOP CEILING	0305-70-335	4	NORM. ROOF (S)	
				20	SUNROOF (GS, GSL, GSL-SE)	

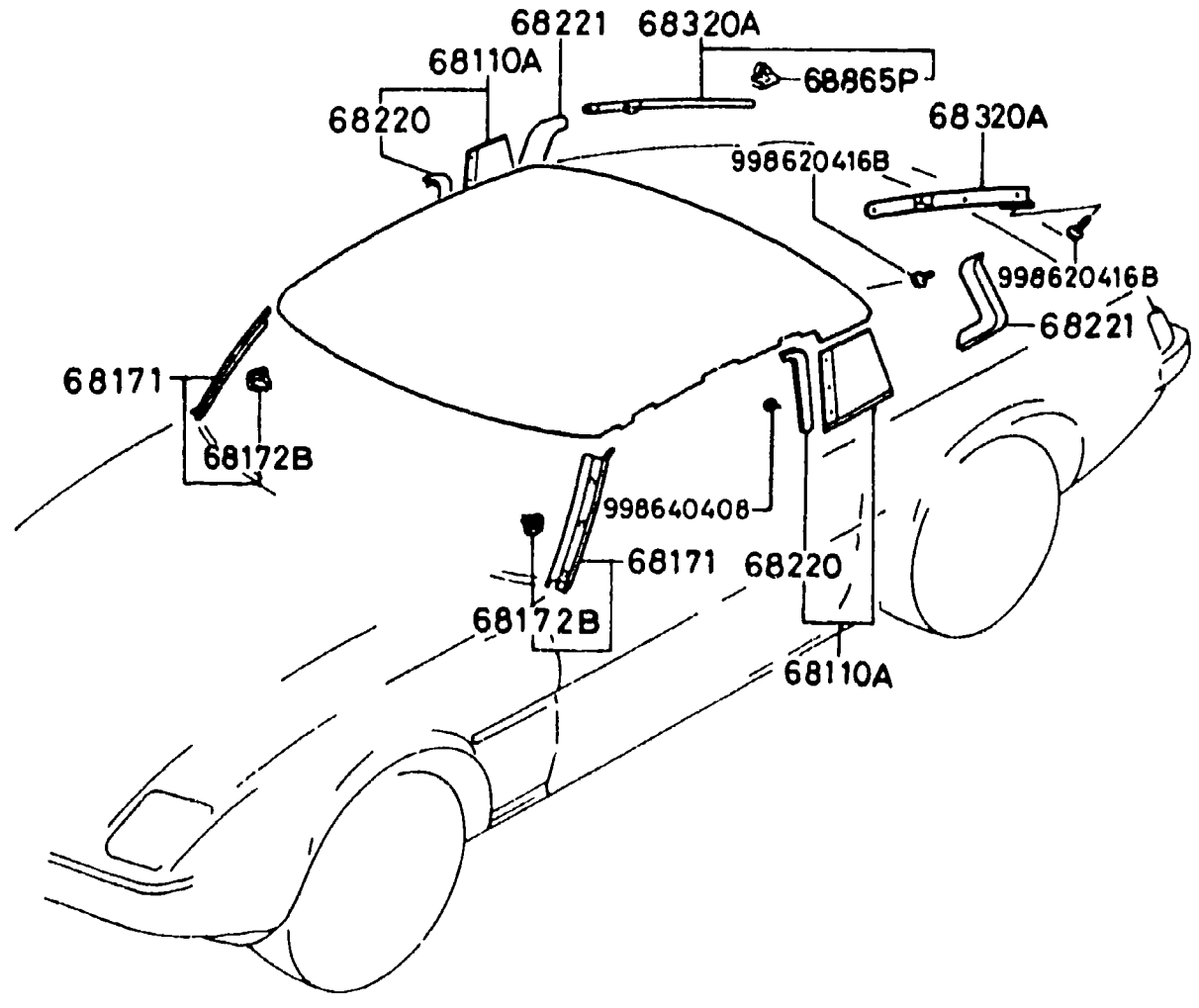
6820A-1 PILLAR TRIM



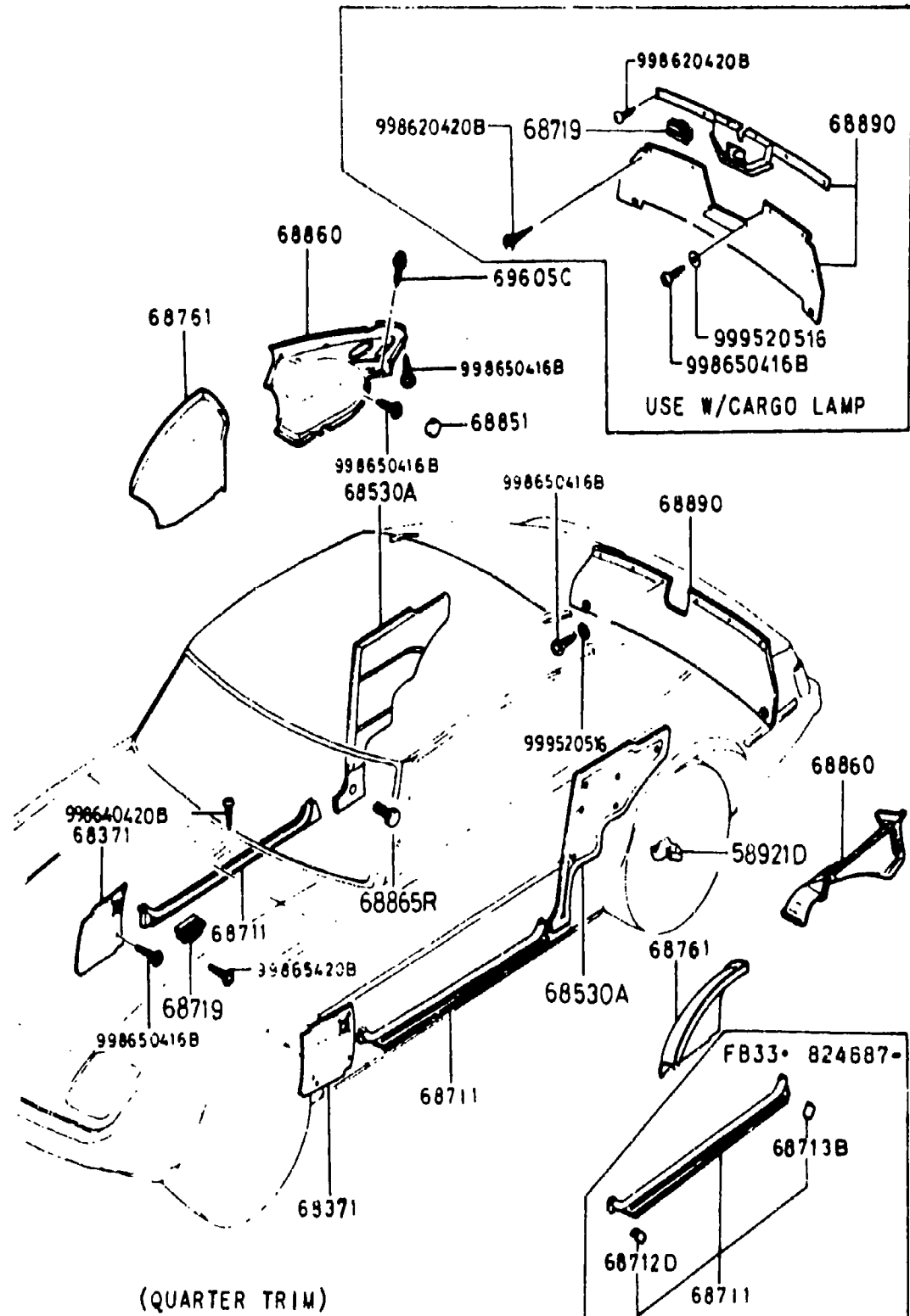
ITEM NO.	D-CODE	DESCRIPTION	PART NO.	QTY	MODEL/DESCRIPTION	REMARKS
68 110A		TRIM, (R), CTR. PILLAR	FA54-68-110D	1		
		RED	16			
		OFF-BLACK	64			
		BROWN	77			
		TRIM (L), CTR. PILLAR	FA54-68-120D	1		
		RED	16			
68 171		TRIM (R), FRT. PILLAR	FA54-68-170A	1		
		RED	11			
		OFF-BLACK	65			
		BROWN	78			
		TRIM (L), FRT. PILLAR	FA54-68-190A	1		
		RED	11			
68 172B		FASTENER, FRT. PILLAR TRIM	FA54-68-172	6		
		OFF-BLACK	64			
		BROWN	77			
68 220		GARNISH (R), CTR. TRIM	FA01-68-981	1		
		RED	11			
		OFF-BLACK	64			
		BROWN	77			
		GARNISH (L), CTR. TRIM	FA01-68-991	1		
		RED	11			
68 221		TRIM (R), CTR. PILLAR	8871-68-221A	1		
		RED	11			
		OFF-BLACK	65			
		BROWN	78			
		TRIM (L), CTR. PILLAR	8871-68-241A	1		
		RED	11			
68 320A		TRIM (R), REAR PILLAR	8871-68-271A	1		
		RED	11			
		OFF-BLACK	65			
		BROWN	78			
		TRIM (L), REAR PILLAR	8871-68-291A	1		
		RED	11			
	OFF-BLACK	65				

6820A-2 PILLAR TRIM

ITEM NO.	D-CODE	DESCRIPTION	PART NO.	QTY	MODEL/DESCRIPTION	REMARKS
68 320A (CONT'D)		BROWN	78			
68 B65P		FASTENER, RR. PILLAR TRIM	H002-68-865 FA54-68-865	8 8	THRU NOV. '83 PROD. FROM DEC. '83 PROD.	FB33* ..800001-811184 FB33* ..811185-

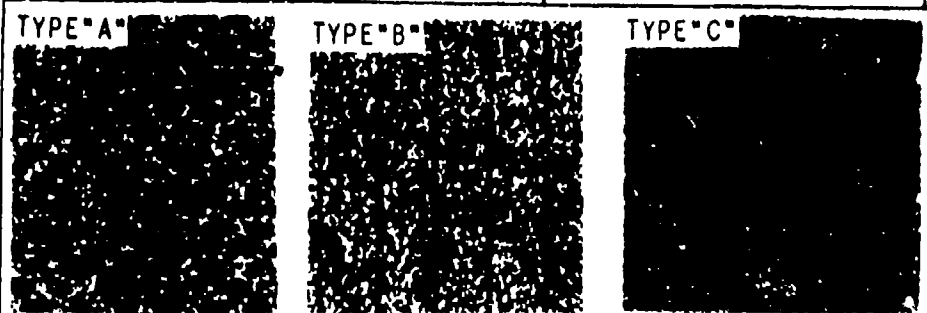


6840A-1 TRIM & SCUFF PLATE



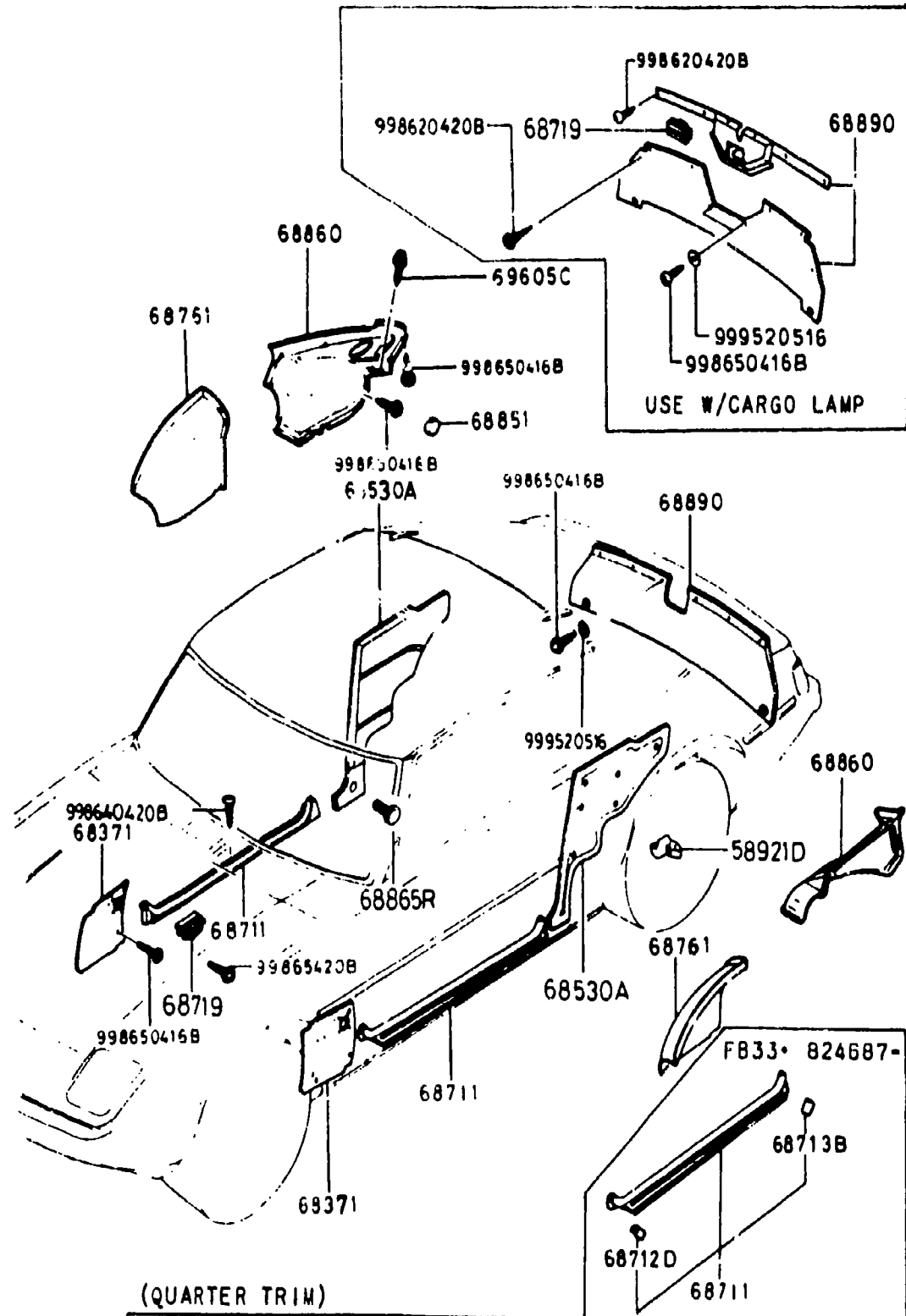
(QUARTER TRIM)

SEE PARTS BULLETIN
FOR MORE QUARTER
TRIM INFO.
MMAC N/A
MMAE % V/31



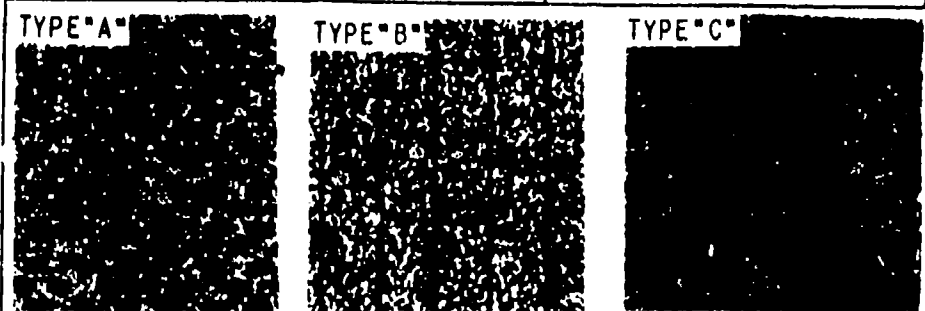
ITEM NO.	D-CODE	DESCRIPTION	PART NO.	QTY	MODEL/DESCRIPTION	REMARKS
58 921D		FASTENER	FA02-68-401	10		
68 371		TRIM (R), FRONT SIDE	FA66-68-370	1		
		GRAY	09			
		RED	12			
		BROWN	78			
		TRIM (L), FRONT SIDE	FA72-68-390	1		
		GRAY	09			
		RED	12			
		BROWN	78			
	68 530A	TRIM (R), QUARTER	FA01-68-520E	1	(VINYL) (S) NORM. ROOF	
	RED	12				
	OFF-BLACK	65				
	BROWN	79				
		FA54-68-520A	1	(TYPE 'A') (GS)		
	RED	10				
	OFF-BLACK	65				
	BROWN	79				
		FA56-68-520A	1	(TYPE 'B') (GSL)		
	RED	11				
	OFF-BLACK	65				
	BROWN	78				
		FA66-68-520A	1	(TYPE 'C') (GSL-SE)		
	RED	10				
	OFF-BLACK	65				
	BROWN	79				
		FA01-68-550E	1	(VINYL) (S) NORM. ROOF		
	RED	12				
	OFF-BLACK, GRAY	65				
	BROWN	79				
		FA54-68-550A	1	(TYPE 'A') (GS)		
	RED	10				
	OFF-BLACK	65				
	BROWN	79				
		FA56-68-550A	1	(TYPE 'B') (GSL)		
	RED	11				
	OFF-BLACK	65				
	BROWN	78				
		FA66-68-550A	1	(TYPE 'C') (GSL-SE)		
	RED	10				
	OFF-BLACK	65				

6840A-2 TRIM & SCUFF PLATE



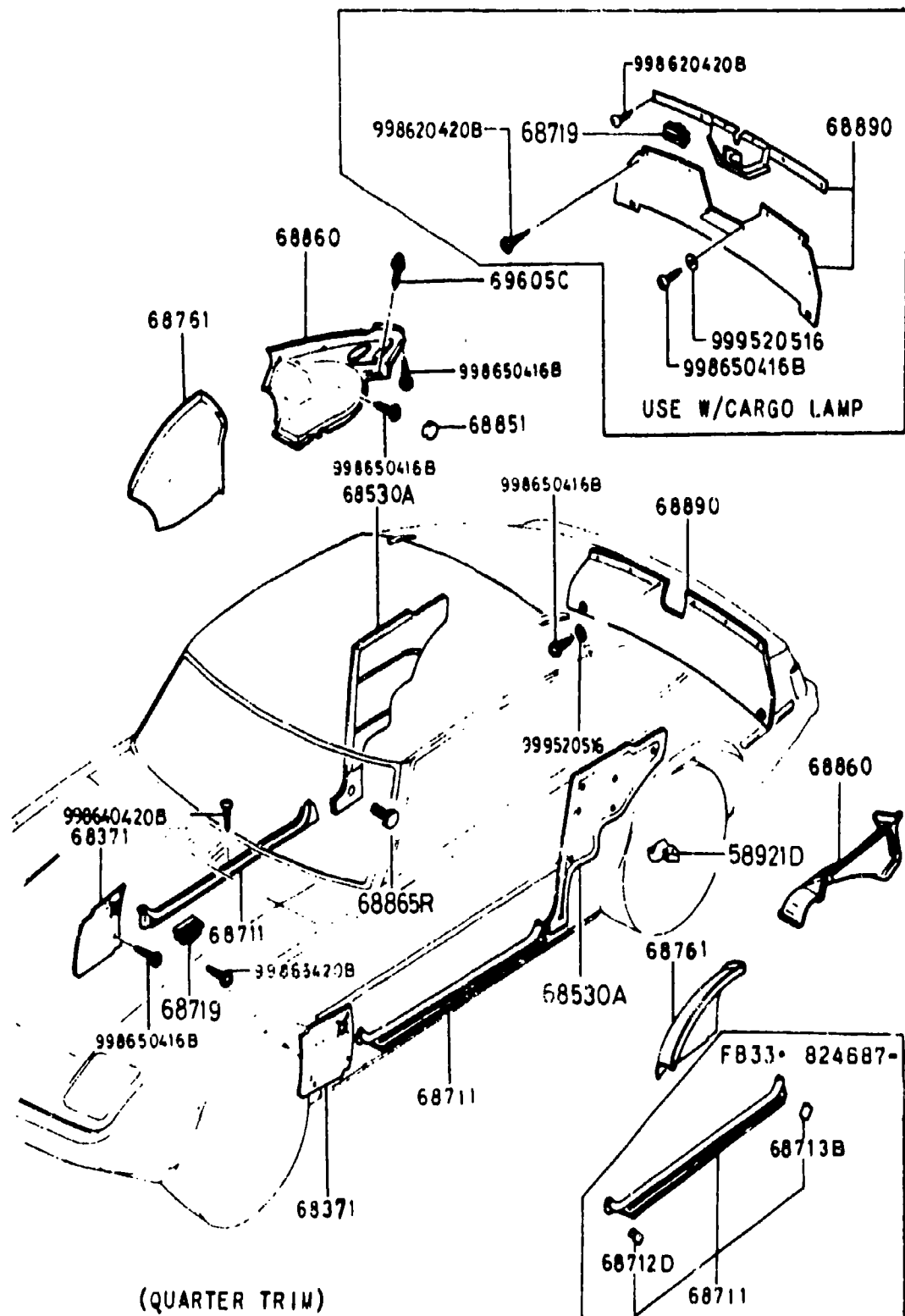
(QUARTER TRIM)

SEE PARTS BULLETIN
FOR MORE QUARTER
TRIM INFO.
MMAC N/A
MMAE ¼ V/31

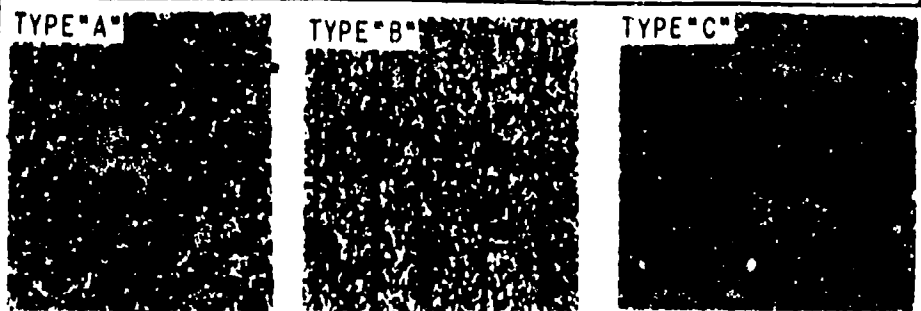


ITEM NO.	D-CODE	DESCRIPTION	PART NO.	QTY	MODEL/DESCRIPTION	REMARKS
	68 530A (CONT'D)	BROWN	79			
68 711		PLATE (R), FRONT SCUFF	8871-68-710	1		
		RED	10			
		OFF-BLACK	65			
		BROWN	78			
		PLATE (L), FRONT SCUFF	8871-68-720	1		
		RED	10			
		OFF-BLACK	65			
		BROWN	78			
68 712D		CLIP	8871-68-712	2	FROM MAR. '84 PROD.	FB33* ..824687-
68 713B		CLIP	8871-68-713	2	FROM MAR. '84 PROD.	FB33* ..824687-
68 719		GROMMET, SCREW	FA54-68-719B	4	(FOR TRUNK END)	
			H001-68-719B	4	(FOR SCUFF PLATE)	
68 761		TRIM (R), TIRE HOUSING	8871-68-770	1		
		RED	12			
		OFF-BLACK	65			
		BROWN	78			
		TRIM (L), TIRE HOUSING	8871-68-790	1		
		RED	12	1		
		OFF-BLACK	65	1		
		BROWN	78	1		
68 851		CAP, TRUNK SIDE TRIM	8871-68-851	4		
		RED	11			
		OFF-BLACK	65			
		BROWN	78			
68 86L		TRIM (R), TRUNK SIDE	8871-68-861A	1		
		RED	11			
		OFF-BLACK	65			
		BROWN	78			
		TRIM (L), TRUNK SIDE	8871-68-871A	1		
		RED	11			
		OFF-BLACK	65			
		BROWN	78			
68 865R		FASTENER, QTR. GARNISH	G043-68-865B	2		
		RED	11			
		OFF-BLACK	65			
		BROWN	78			
68 890		TRIM, TRUNK END	FA54-68-890A	1	(USE W/CARGO ROOM LAMP) (GS, GSI, GSI-SE)	
		GRAY/OFF-BLACK	09			

6840A-3 TRIM & SCUFF PLATE

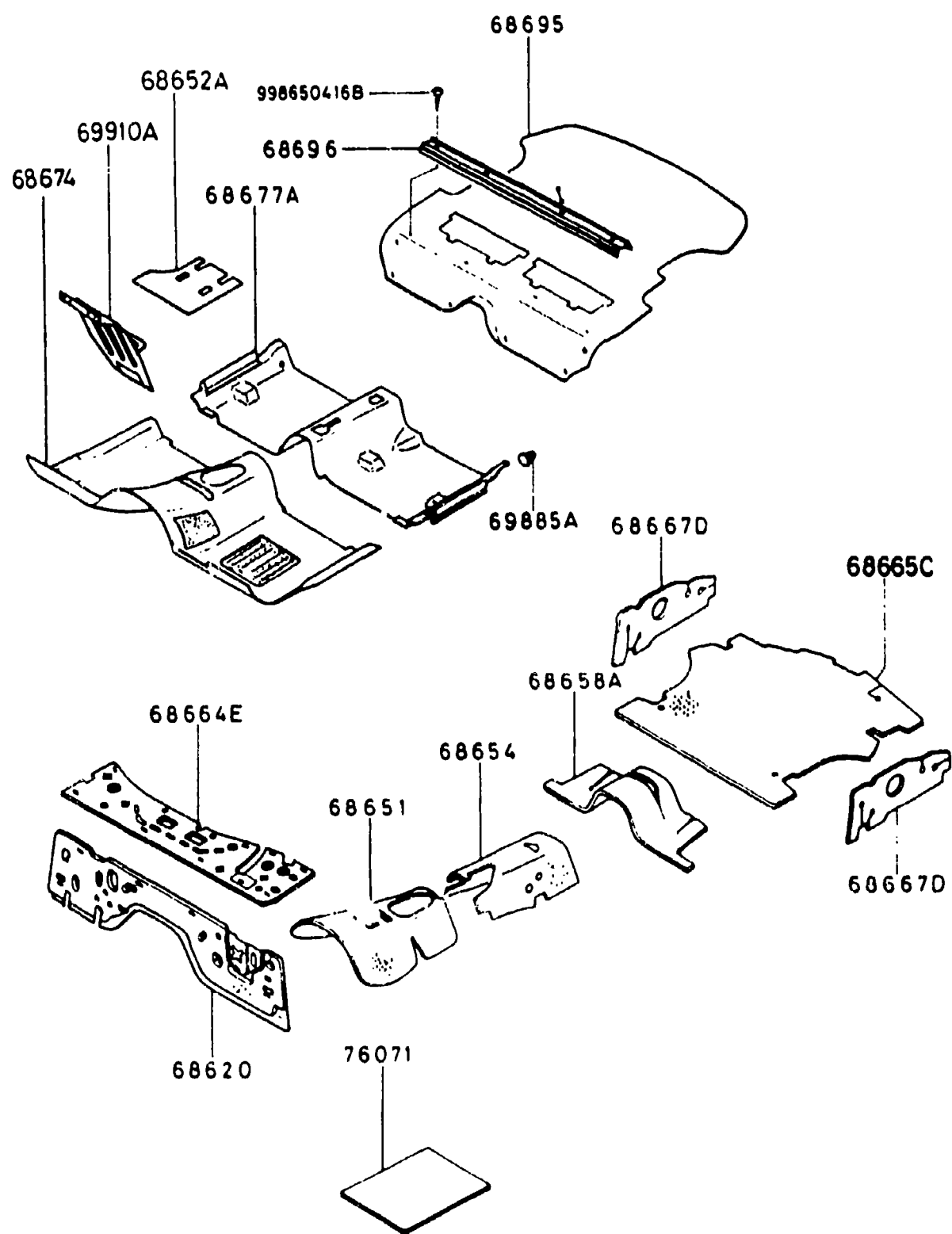


SEE PARTS BULLETIN
FOR MORE QUARTER
TRIM INFO.
MMAC N/A
MMAE X V/31



ITEM NO.	D-CODE	DESCRIPTION	PART NO.	QTY	MODEL/DESCRIPTION	REMARKS
68 890 (CON'D)		RED	11			
		BROWN	79			
			F041-68-89CA			(USE W/O CARGO ROOM LAMP(S))
				1		NORM. ROOF SEPT. '83 PROD.
		GRAY/OFF-BLACK	09			
		RED	11			
		BROWN	79			
			F041-68-890B			
				1		NORM. ROOF FROM DEC. '84 PROD.
						FB33* ..800001-800903
69 605C		HOOK, TRIM	8871-68-855	2		FB33* .. 876904-

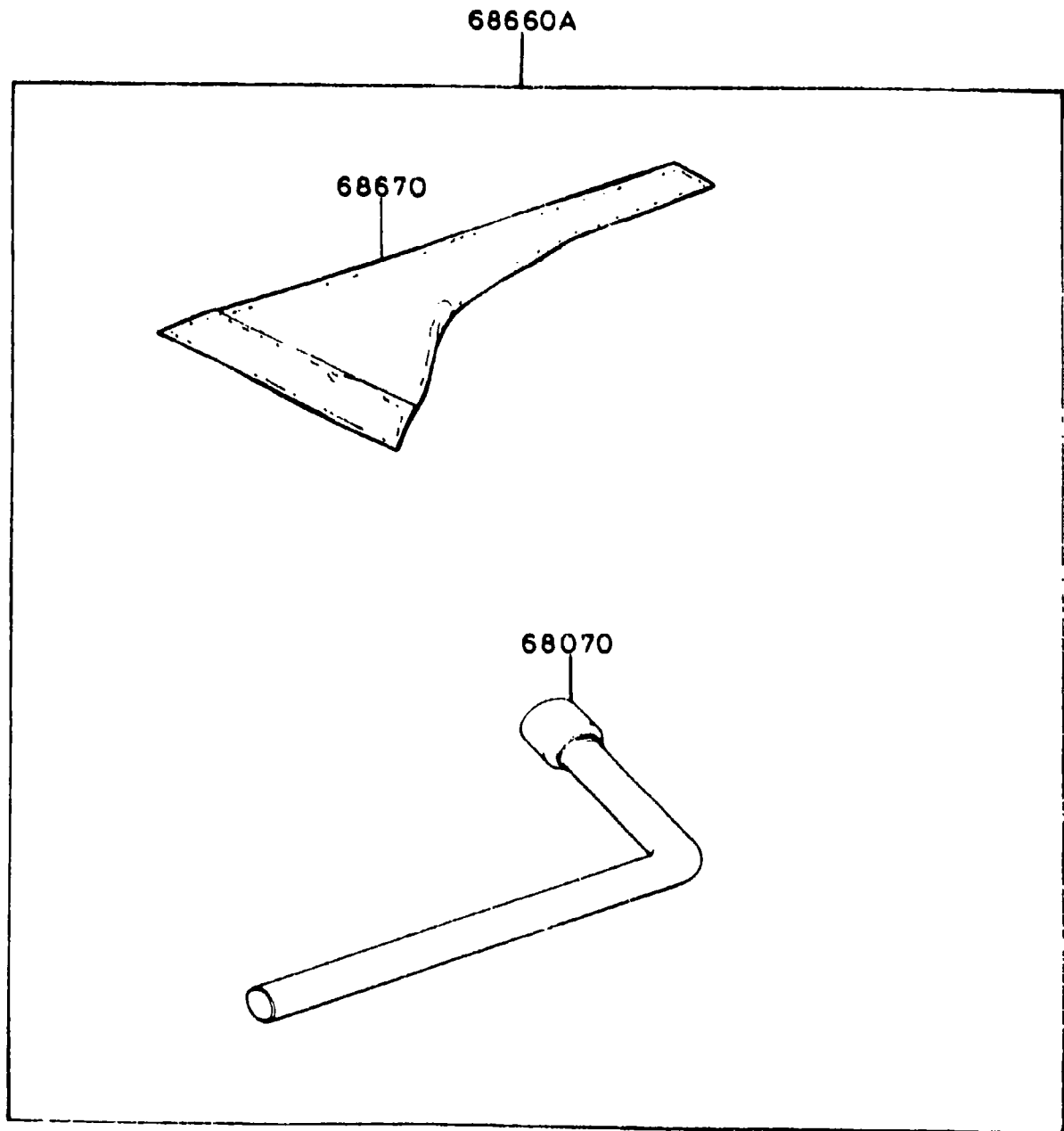
6860A-1 FLOOR MATS & PADS



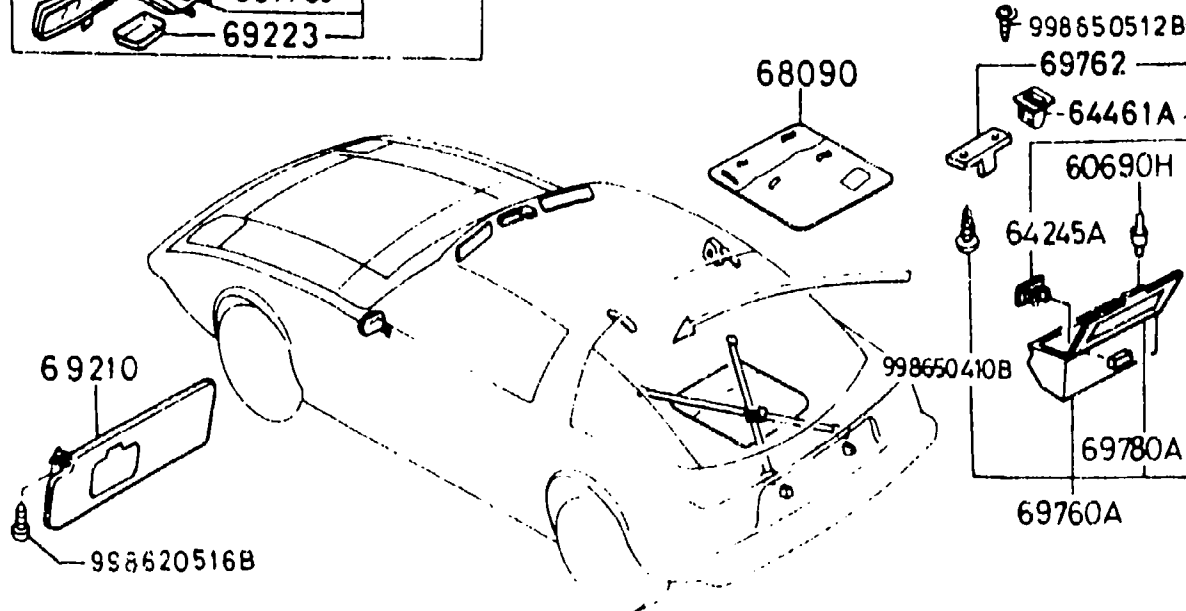
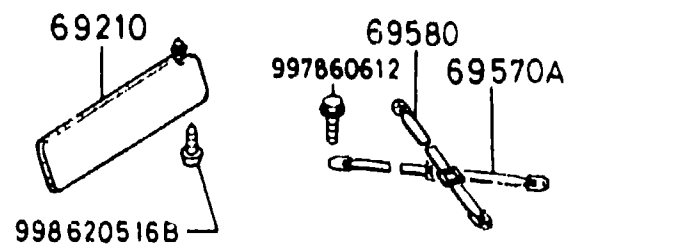
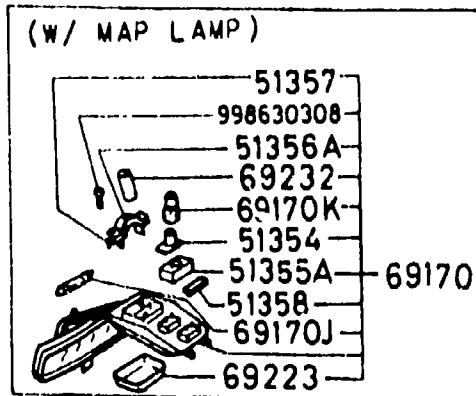
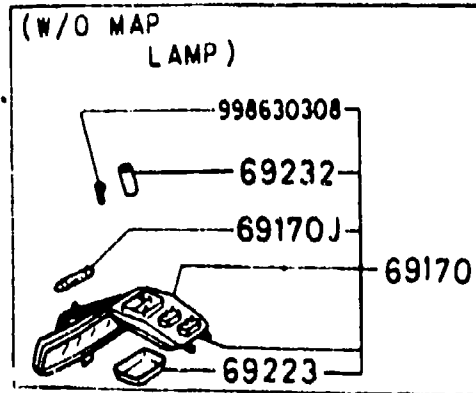
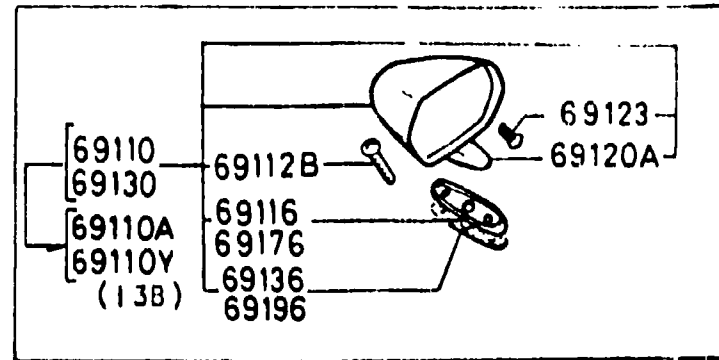
ITEM NO.	D-CODE	DESCRIPTION	PART NO.	QTY	MODEL/DESCRIPTION	REMARKS
	68 620	INSULATOR, DASHBOARD	FA54-68-620A	1	(USE W/O PWR. STEERING)	
			FA55-68-620A	1	(USE W/PWR. STEERING)	
	68 651	PAD (C), FLOOR-FRONT	FA54-68-651	1		
	68 652A	PAD (R), FLOOR-FRONT	FA54-68-652	1	NORM. ROOF	
	68 654	PAD (C), FLOOR-REAR	1480-68-654A	1		
	68 658A	PAD, STORAGE BOX	FA01-68-658	1		
	68 664E	INSULATOR, DASH, UPPER	FA54-68-664A	1		
	68 665C	PAD, TRUNK	FA54-68-666	1		
	68 667D	PAD, TRUNK SIDE	8871-68-667A	2		
	68 674	MAT, FRONT FLOOR	FA66-68-671A	1		
		GRAY/OFF-BLACK	09			
		RED	11			
		BROWN	79			
	68 677A	MAT, REAR FLOOR	FA54-68-677	1		
		GRAY/OFF-BLACK	09			
		RED	11			
		BROWN	79			
	68 695	MAT, TRUNK ROOM	FA54-68-695A	1		
		GRAY	09			
		RED	11			
		BROWN	79			
	68 696	PLATE, MAT SET	8871-68-696B	1		
		RED	10			
		OFF-BLACK	65			
		BROWN	78			
	69 885A	FASTENER	0866-69-885A	7		
		BLACK	00			
		RED	11			
		OFF-BLACK	65			
		BROWN	78			
	69 910A	SUPPORT, FOOT	FA67-69-910	1		
	76 071	SILENCER, FLOOR	0208-76-071	1	(30CM X 30CM)	

6870A-1 SERVICE TOOLS

ITEM NO.	D-CODE	DESCRIPTION	PART NO.	QTY	MODEL/DESCRIPTION	REMARKS
	68 070	WRENCH, HUB NUT	0810-68-070E	1		
	68 660A	TOOL SET	3781-69-650	1		
	68 670	BAG, TOOL	8173-69-670	1		

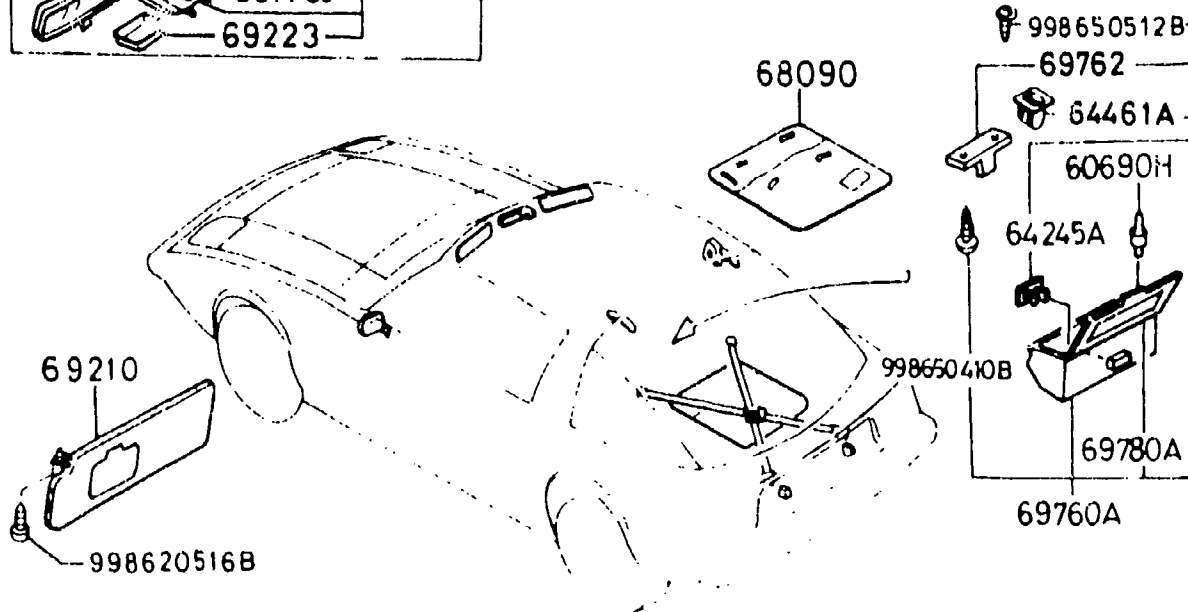
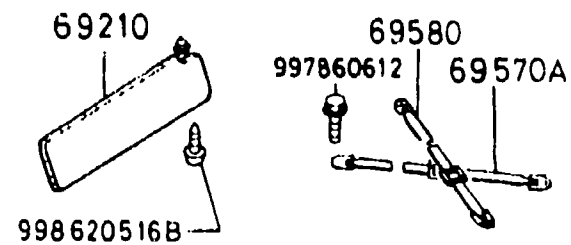
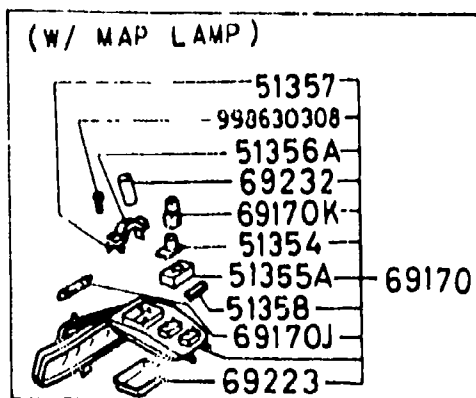
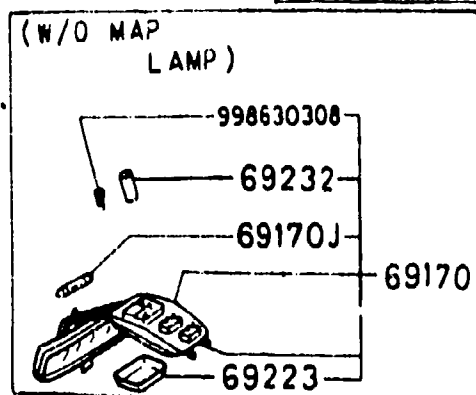
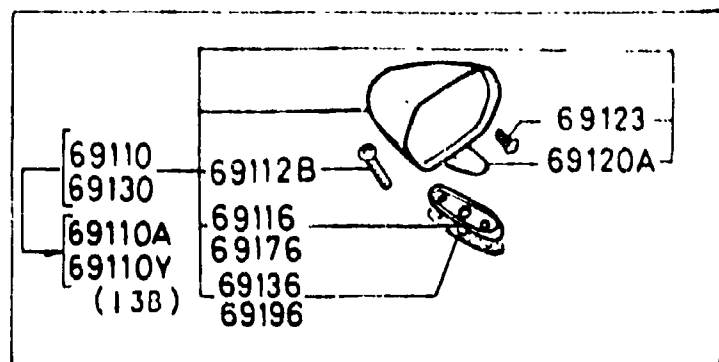


6900A-1 VISOR, ASSIST HANDLE & MIRRORS



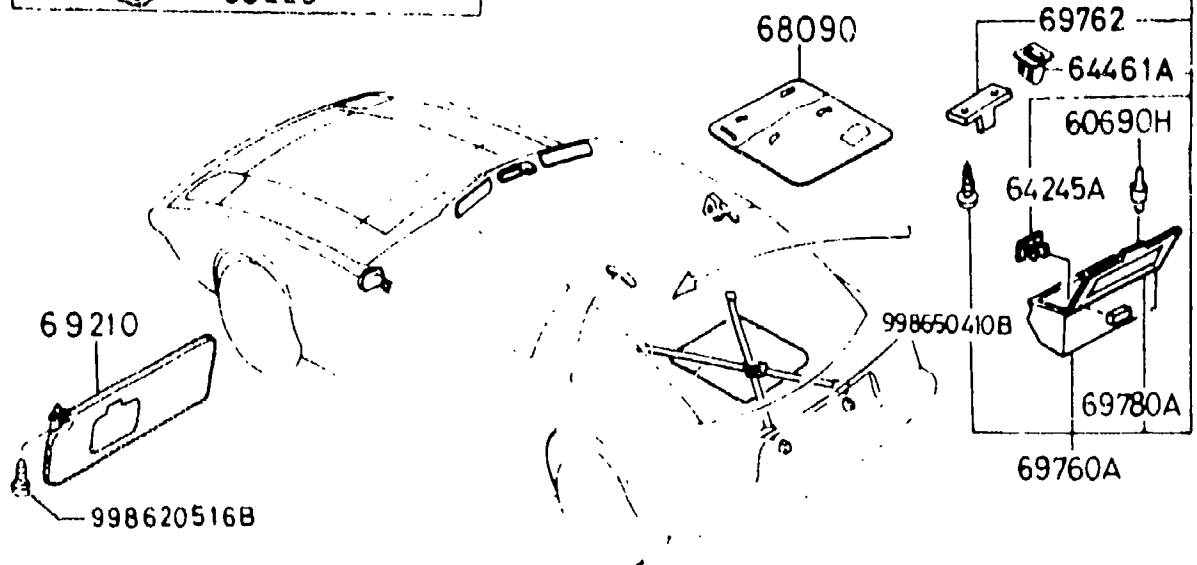
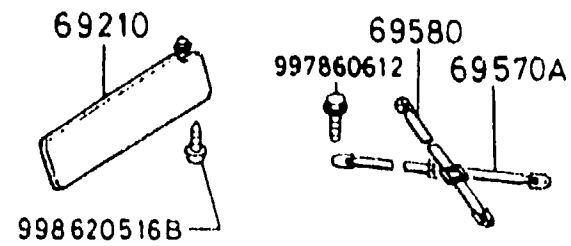
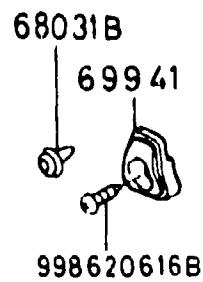
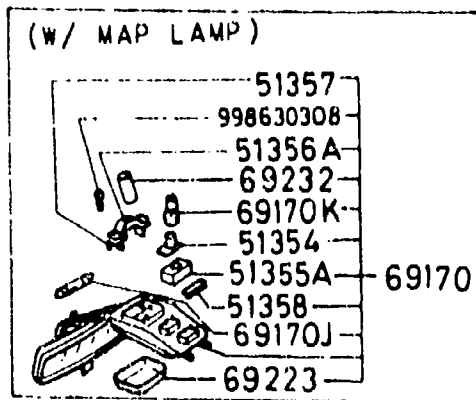
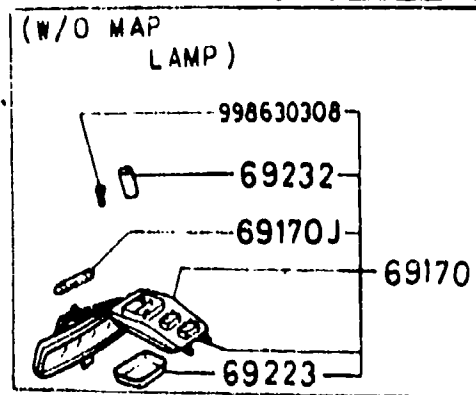
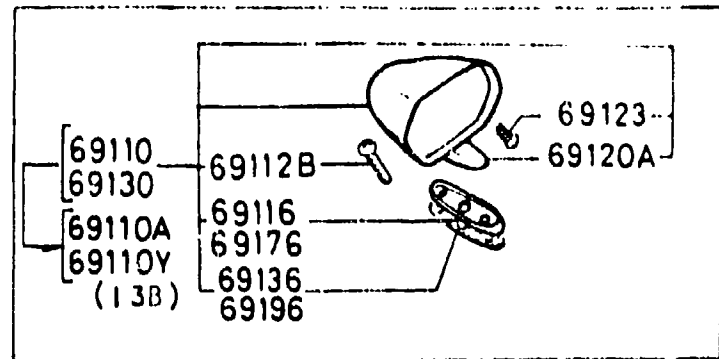
ITEM NO.	D-CODE	DESCRIPTION	PART NO.	QTY	MODEL/DESCRIPTION	REMARKS
51 354		SOCKET & HOLDER	FA01-51-354	1		
51 355A		LAMP, SPOT	FA01-51-355A	1		
51 356A		PLATE	FA01-51-356	1		
51 357		BRACKET 'A'	FA01-51-357	1		
51 358		BRACKET 'B'	FA01-51-358	1		
60 690H		SWITCH, STORAGE BOX	G030-66-540B	2		
64 245A		LENS, STORAGE BOX	H002-64-245	2		
64 461A		STRIKER, STORAGE BOX	1011-64-461A	2		
		BLACK	00			
68 031B		FASTENER	FA54-68-031	1		
		RED	11			
		OFF-BLACK	65			
		BROWN	78			
68 090		BAG, SUNROOF	8973-68-090C	1	SUNROOF (GS, GSI, GSI-SE)	
69 110		MIRROR (R), REAR VIEW	8341-69-110A	1	(REMOTE CONTROL) (GS, GSI, GSI-SE)	
			8871-69-110B	1	(MANUAL TYPE) (S)	
69 110A		MIRROR (R), DOOR	FA66-69-110	1	13B FROM APR. '85 PROD.	FB33* .893766-
		SUNBEAM SILVER M.	K3			
		BRILLIANT BLACK	PZ			
		TENDER BLUE M.	V3			
		DOVER WHITE	WU			
		ROYAL MALLOW	3A			
69 110Y		MIRROR (L), DOOR	FA66-69-170	1	13B FROM APR. '85 PROD.	FB33* .893766-
		SUNBEAM SILVER M.	K3			
		BRILLIANT BLACK	PZ			
		TENDER BLUE M.	V3			
		DOVER WHITE	WU			
		ROYAL MALLOW	3A			
69 112B		SCREW, MIRROR	8218-69-118	2	(FOR REM. CTRL. MIRROR) (GS, GSI, GSI-SE)	
			8341-69-178	2	(FOR REM. CTRL. MIRROR) (GS, GSI, GSI-SE)	
			8871-69-178	4	(FOR MANUAL MIRROR) (S)	
			8980-69-178A	4		
69 113		BASE (R), MIRROR	8341-69-131	1	(FOR REM. CTRL. MIRROR) (GS, GSI, GSI-SE)	
			8871-69-117A	1	(FOR MANUAL MIRROR) (S)	

6900A-2 VISOR, ASSIST HANDLE & MIRRORS



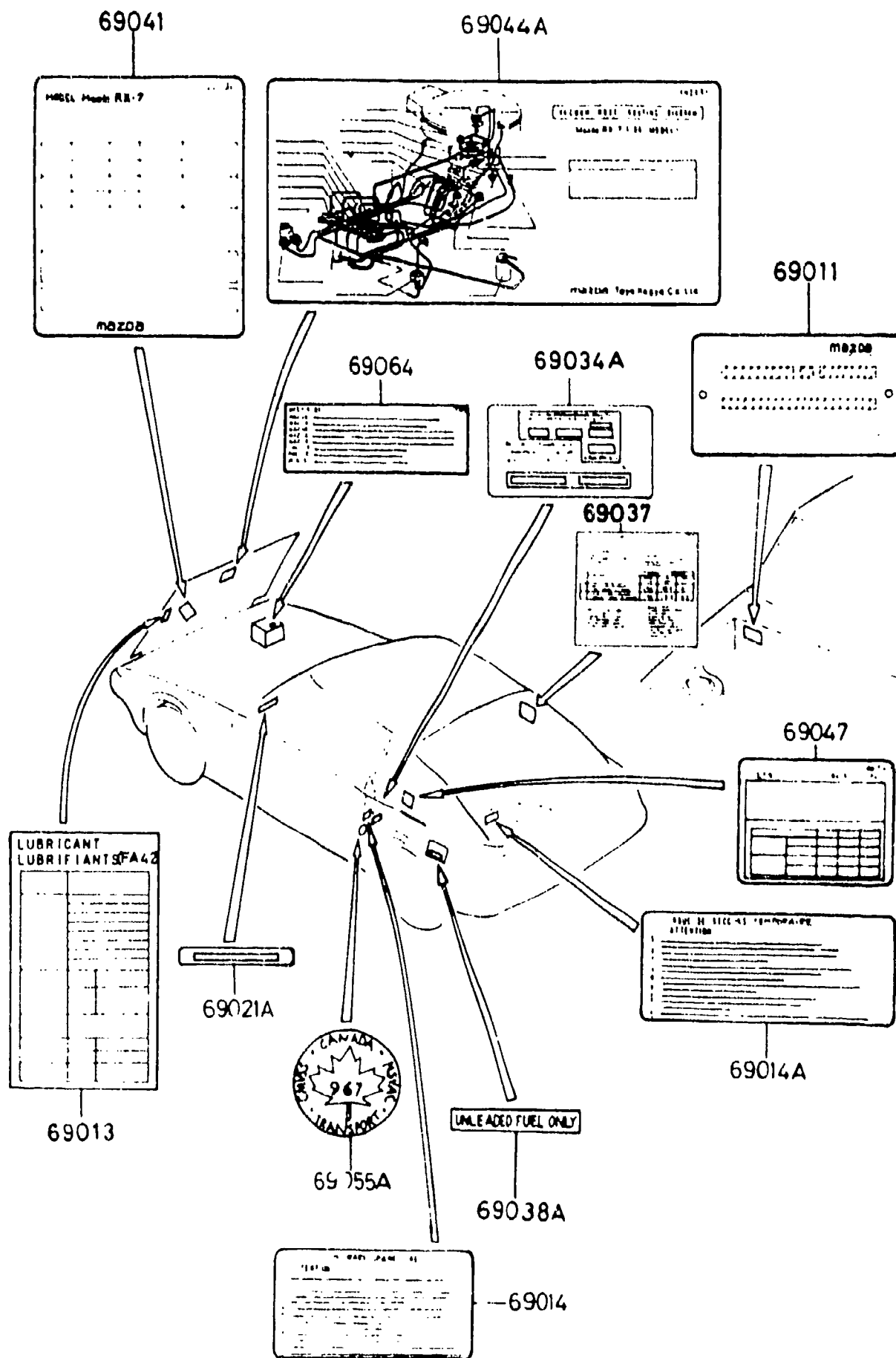
ITEM NO.	D-CODE	DESCRIPTION	PART NO.	QTY	MODEL/DESCRIPTION	REMARKS
69 120A		STAY (R), MIRROR	8341-69-122	1	(FOR REM. CTRL. MIRROR) (GS, GSI, GSI-SE)	
		STAY (L), MIRROR	8341-69-182	1	(FOR REM. CTRL. MIRROR) (GS, GSI, GSI-SE)	
69 123		SCREW, MIRROR	8341-69-123	4		
69 130		MIRROR (L), REAR VIEW	8341-69-170A	1	(REM. CONTROL) (GS, GSI, GSI-SE)	
			8871-69-170B	1	(MANUAL TYPE) (S)	
69 136		GASKET (R), MIRROR	8341-69-115	1	13B (GSI-SE) FROM APR. '85 PROD.	FB33* ..893766.
69 170		MIRROR, INTERIOR	FA01-69-220A	1	(W MAP LAMP) (GS, GSI, GSI-SE)	
			FA03-69-220A	1	(W O MAP LAMP) (S)	
69 170J		BULB	0000-11-3175	1		
69 170K		BULB	0000-11-0194	1	(MAP LAMP) (GS, GSI, GSI-SE)	
69 176		BASE (L), MIRROR	8341-69-191	1	(FOR REM CTRL. MIRROR) (GS, GSI, GSI-SE)	
			8871-69-177A	1	(FOR MANUAL MIRROR) (S)	
69 196		GASKET (L), MIRROR	8341-69-116	1		
69 210		SUN VISOR (R)	FA56-69-270A	1		
		RED	16			
		OFF-BLACK	63			
		BROWN	77			
		SUN VISOR (L)	FA54-69-320A	1	NORM. ROOF	
		RED	16			
		OFF-BLACK	63			
		BROWN	77			
			FA52-69-320A	1	SUNROOF	
		RED	16			
		OFF-BLACK	63			
		BROWN	77			
69 223		LENS, INTERIOR MIRROR	FA01-51-351A	1		
69 232		STOPPER, RUBBER	FA01-69-232	1		
69 570A		STRAP 'A', CARGO ROOM	FA54-69-571	2		
		WINE	10			
		OFF-BLACK	65			
		BROWN	78			
69 580		STRAP 'B', CARGO ROOM	FA54-69-572	2		
		WINE	10			
		OFF-BLACK	65			
		BROWN	78			

6900A-3 VISOR, ASSIST HANDLE & MIRRORS



ITEM NO.	D-CODE	DESCRIPTION	PART NO	QTY	MODEL/DESCRIPTION	REMARKS
69 760A		BOX, STORAGE	FA54-69-760B	1		
		GRAY, OFF-BLACK	09			
		RED	10			
		BROWN	78			
69 762		PLATE, LOCK	FA42-69-762			
69 780A		LID, STORAGE BOX	FA54-69-780B	1		
		RED	10			
		BROWN	78			
69 941		HANGER, COAT	0376-69-941B	1		
		GRAY	00			
		BLACK	01			

6930A-1 CAUTION PLATES & LABEL



ITEM NO.	D-CODE	DESCRIPTION	PART NO	QTY	MODEL/DESCRIPTION	REMARKS
69 011		PLATE MODEL	8595-69-011B	1		
69 013		LABEL, OIL	FA42-69-013	1		
69 014		LABEL, TIRE	FA42-69-014B	1	12A (S, GS, GSU)	
			FA66-69-014B	1	13B (GSL-SE)	
69 014A		LABEL, TEMPORARY TIRE	FA02-69-073A	1		
69 021A		PLATE, CAUTION	GA02-69-068	1		
69 034A		LABEL, CAUTION-MVSS	8374-69-034A	1		
69 038A		LABEL, GASOLINE WHITE	FA01-69-065 01	1		FB33* 800001-909987
			< A > 0000-88-UNLD-LB	1		
69 041		LABEL, EMISSION	N249-69-036A	1	12A FED	FB33* 850001-
			N249-69-036B	1	12A FED	FB33* 800001-850000
			N251-69-036A	1	12A CAL (S, GS, GSU) THRU MAY '84 PROD	FB33* 850001-
			N251-69-036B	1	12A CAL (S, GS, GSU) FROM JUN '84 PROD	FB33* 800001-850000
			N304-69-036A	1	13B FED (GSL-SE) THRU MAY '84 PROD	FB33* 850001-
			N304-69-036B	1	13B FED (GSL-SE) FROM JUN '84 PROD	FB33* 800001-850000
			N305-69-036B	1	13B CAL (GSL-SE) THRU MAY '84 PROD.	FB33* 850001-
			N305-69-036C	1	13B CAL (GSL-SE) FROM JUN '84 PROD	FB33* 800001-850000
69 044A		LABEL, VAC DIPHRAGM	N249-69-044A	1	12A FED (S, GS, GSU) THRU MAY '84 PROD	FB33* 850001-
			N249-69-044B	1	12A FED (S, GS, GSU) FROM JUN '84 PROD	FB33* 800001-850000
			N304-69-044A	1	13B FED (GSL-SE) THRU MAY '84 PROD	FB33* 8500001-889473
			N304-69-044B	1	13B FED (GSL-SE) JUN '84 TO FEB '85 PROD	FB33* 889474-
			N304-69-044C	1	13B (GSL-SE) FROM MAR '85 PROD	
69 047		LABEL, EMISSION DECAL	UB05-69-047A	1	CAL	
69 064		LABEL BATTERY	FA03-69-064A	1	FED	

ALPHABETICAL INDEX

ALPHABETICAL INDEX

PART NAME	D-CODE	SECTION	LOCATION	PART NAME	D-CODE	SECTION	LOCATION	PART NAME	D-CODE	SECTION	LOCATION
*** A ***				BEARING	6140B -2	2 - E 8			19398	1920A -1	1 - C 7
ABSORBER (L), SHOCK		5000A -1	2 - D 3		6142B -1	2 - F 8			19706	1950A -1	1 - H 7
ABSORBER (R), SHOCK	50100	5000A -1	2 - D 3		15940J	1 - K 5			19737	1920A -1	1 - C 7
ABSORBER, SHOCK RR	50200A	5010A -1	2 - F 3		247222	1 - K 6			19838B	1950A -1	1 - H 7
ACCESSORY, KIT		6142B -1	2 - F 8		247432	1 - K 6			21255	1920A -2	1 - D 7
ACTUATOR	13290	1380A -1	1 - N 4		26151	2600A -1	1 - D 7		24729	1840A -1	1 - K 6
	76430A	6120A -1	2 - K 7		27305	2700AA -1	1 - I 9		25123	2500A -1	1 - C 9
	76440B	6110A -1	2 - I 7		27305	2700A -1	1 - G 9		26113	2600A -1	1 - D 9
ACTUATOR, ACC	66310B	6640A -1	2 - N 9	BEARING, BALL	32182	3210A -1	1 - N 9		26132B	2610A -1	1 - E 9
ACTUATOR, V.P.V	131701	1380AA -1	1 - C 5		17201J	1710A -1	1 - C 6		26132B	2610AA -1	1 - F 9
ADAPTER	19025S	1910A -1	1 - N 6		17204	1710A -1	1 - C 6		26680	2610AA -1	1 - F 9
ADAPTER (L), MOUNTING		3300A -1	1 - E10		17221J	1710A -1	1 - C 6		26699	2610AA -1	1 - F 9
ADAPTER (R), MOUNTING	33260	3300A -1	1 - E10		17297	1710A -2	1 - D 6		28111	2800A -1	1 - K 9
ADAPTER, AIR FLOW	13216	1330AA -1	1 - F 4		17297A	1710A -2	1 - D 6		28113A	2800A -1	1 - K 9
ADJUSTER (L)		2610A -1	1 - E 9		17301J	1710A -2	1 - D 6		32429	3210A -1	1 - N 9
ADJUSTER (R)	26630	2610A -1	1 - E 9		24503	1830A -1	1 - J 6		32611	3240A -1	1 - D10
ADJUSTER NO. 1	88102	5700A -3	2 - E 6	BEARING, FRONT WHEEL	24514	1830A -1	1 - J 6		32616	3240A -1	1 - D10
ADJUSTER NO. 2	88103	5700A -3	2 - E 6		33047	3300A -1	1 - E10		39055	3900A -1	1 - K10
ADJUSTER NO. 3	88152	5700A -5	2 - G 6	BEARING, MAIN	33075	3300A -1	1 - E10		46016	4600A -1	1 - N11
ADJUSTER NO. 4	88153	5700A -5	2 - G 6	BEARING, NEEDLE	105021	1070A -1	1 - D 3		50015C	5000A -1	2 - D 3
AIR SEAL, PIPE		6152B -1	2 - K 8		114031	1100A -1	1 - G 3		50015D	5010A -1	2 - F 3
ALTERNATOR	18300	1830A -1	1 - J 6		115051	1100A -1	1 - G 3		64903D	5560A -1	2 - J 5
AMPLIFIER	76510A	6115A -1	2 - J 7		17274	1710A -1	1 - C 6	BOLT, SFT	24731	1840A -1	1 - K 6
AMPLIFIER, MAIN	66920A	6680A -1	2 - C10		19621	1930A -2	1 - F 7		32460B	3210A -1	1 - N 9
AMPLIFIER, POWER-REAR	66920F	6680A -1	2 - C10		19622A	1930A -2	1 - F 7	BOLT, ADJUST	15966	1580A -1	1 - K 5
ANTENNA	66930	6682A -1	2 - D10		19623	1930A -2	1 - F 7	BOLT, ADJUSTING		6142B -1	2 - F 8
ARM & BALL JOINT (L)		3400A -1	1 - F10	BEARING, PINION-FRONT	19624	1930A -2	1 - F 7	BOLT, AIR CLEANER	13201	1320A -1	1 - M 3
ARM & BALL JOINT (R)	49310A	3400A -1	1 - F10		27141	2700AA -1	1 - I 9	BOLT, ARM	34313	3410A -1	1 - G10
ARM (L), KNUCKLE		3400A -1	1 - F10	BEARING, PINION-REAR	27141	2700A -1	1 - G 9	BOLT, BAND HOLDER	66124	6611A -1	2 - G 9
ARM (L), REGULATOR		5830A -1	2 - J 6		27141A	2700A -1	1 - G 9	BOLT, CALIPER BRAKE	33699	3300A -1	1 - E10
ARM (R), KNUCKLE	32301A	3400A -1	1 - F10	BEARING, ROLLER	17205	1710A -1	1 - C 6	BOLT, CLAMP	70985A	1850A -1	1 - M 6
ARM (R), REGULATOR	58560A	5830A -1	2 - J 6	BEARING, ROTOR	111111	1110A -1	1 - H 3	BOLT, COMP. (USE W/ 67-D00B-3A)		6132B -1	2 - C 8
ARM, IDLER	32320	3230A -1	1 - C10	BELT 'A' (L), FRT. SEAT	57920A	5790A -1	2 - H 6	BOLT, COMP. (USE W/ 67-D00A-3A)		6132B -1	2 - C 8
ARM, PITMAN	32220	3210A -1	1 - N 9	BELT 'A' (R), FRT. SEAT	57900A	5790A -1	2 - H 6	BOLT, CONNECTOR	13377	1320AA -1	1 - C 4
ARM, WIPER	67321	6730A -1	2 - K10	BELT 'B' (L), FRT. SEAT	57680A	5790A -1	2 - H 6		146031	1400AA -1	1 - F 5
	67421A	6750A -1	2 - M10	BELT 'B' (R), FRT. SEAT	57630A	5790A -1	2 - H 6		146311	1400AA -1	1 - F 5
ARMATURE	24720	1840A -1	1 - K 6	BELT, AIR PUMP	137151	1371A -1	1 - L 4		146351	1400AA -1	1 - F 5
ATTACHMENT-PAD	49290A	2610AA -1	1 - F 9		137151	1371AA -1	1 - M 4		21666	1910A -1	1 - N 6
	49290B	3300A -1	1 - E10	BELT, ALTERNATOR	18381	1580A -1	1 - K 5	BOLT, CONTROL VALVE	19831	1920A -2	1 - D 7
AUTO CRUISE CONTROL SET	99063	6640A -1	2 - N 9	BELT, COMPRESSOR	15906	1580A -1	1 - K 5		19832	1920A -2	1 - D 7
*** B ***				BELT, COMPRESSOR DRIVE		6140B -2	2 - E 8		19833	1920A -2	1 - D 7
BACK (L), FRONT SEAT	88100	5700A -5	2 - G 6	BELT, DRIVE (17385)		6142B -1	2 - F 8	BOLT, GEAR HOUSING	32359	3210A -1	1 - N 9
BACK (R), FRONT SEAT	88130	5700A -4	2 - F 6	BELT, P/S PUMP	15907	1580A -1	1 - K 5	BOLT, HAND BRAKE LEVER	44053	4400A -1	1 - J11
BAFFLE	51819	6720A -1	2 - J10	BEZEL (L), LAMP	50760	5005A -1	2 - E 3	BOLT, HEX		6132B -1	2 - C 8
BAFFLE, COWL	50795	5180A -1	2 - E 4	BEZEL (R), LAMP	50740	5005A -1	2 - E 3	BOLT, HEX, ZINC		6132B -1	2 - C 8
BAG, SUNROOF	68090	6900A -1	2 - K11	BLADE	76631	6730A -1	2 - K10	BOLT, HINGE	51431A	5103A -1	2 - K 3
BAG, TOOL	58670	6870A -1	2 - J11		76631A	6750A -1	2 - M10	BOLT, JOINT	4652	4340A -1	1 - F11
BALANCER, STICK	66920G	6680A -1	2 - C10	BLADE, WIPER	67330	6730A -1	2 - K10	BOLT, LOCK	1171	1400AA -1	1 - F 5
BALL NUT, WORM	32130	3210A -1	1 - N 9		67330A	6750A -1	2 - M10		141171	1400A -1	1 - E 5
BALL, STEEL	11411J	1100A -1	1 - G 3	BLOCK, FUSE	66730	6700A -1	2 - E10	BOLT, OIL PAN	19837	1920A -2	1 - D 7
	13781	1360A -1	1 - J 4	BLOCK, MOUNTING	34380	3400A -1	1 - F10	BOLT, PULLEY	11376	1100A -1	1 - G 3
	26610J	2610A -1	1 - E 9	BLOWER UNIT	61140	6100A -1	2 - H 7	BOLT, REAMER	131371	1380A -1	1 - N 4
	41920J	4140A -1	1 - N10	BODY (L), FRONT DOOR	58010	5800A -1	2 - I 6		16432	1600A -1	1 - L 5
BAND	14726	1580A -1	1 - K 5	BODY (R), FRONT DOOR	14310A	1400AA -1	1 - F 5	BOLT, RING GEAR	27235	2700A -1	1 - G 9
	66946	6682A -1	2 - D10	BODY, OIL FILTER	108451	1040A -2	1 - F 3		27235	2700AA -1	1 - I 9
	87956	6730A -1	2 - K10	BOLT	17313C	1720A -1	1 - G 6	BOLT, SERVICE VALVE		6145B -2	2 - H 8
BAND (L), TANK FIXTURE	42420A	4200A -1	1 - D11		189121	6600A -1	2 - D 9	BOLT, SET	14125	1400AA -1	1 - F 5
BAND (R), TANK FIXTURE	42410C	4200A -1	1 - D11		19064	1910A -1	1 - N 6		14125	1400A -1	1 - E 5
BAND, AIR DUCT		6150B -2	2 - J 8		19216	1910A -1	1 - N 6	BOLT, STABILIZER	34157A	3410A -1	1 - G10
BAND, BRAKE	19360	1930A -1	1 - F 7		19255	1910A -1	1 - N 6	BOLT, STARTER	18401	1800A -1	1 - H 6
BASE (L), MIRROR	69176	6900A -2	2 - L11		19338	1920A -1	1 - C 7	BOLT, STOPPER	32315A	3400A -1	1 - I10
BASE (R), MIRROR	69116	6900A -1	2 - K11		19397	1920A -1	1 - C 7	BOLT TENSION	104511	1040A -1	1 - E 3
BATTERY	18520	1850A -1	1 - M 6		19397A	1940A -1	1 - G 7		104521	1040A -1	1 - E 3
BEAM, SEALED	84851A	5100A -1	2 - J 3								

ALPHABETICAL INDEX

PART NAME	D-CODE	SECTION	LOCATION	PART NAME	D-CODE	SECTION	LOCATION	PART NAME	D-CODE	SECTION	LOCATION
BOLT, TENSION ROD	34134A	3410A	1 - G10	BRACKET NO. 1	60431A	5560A	2 - J 5	BRACKET, TUBE CLAMP		6130B	2 - N 7
BOLT, THROUGH		6145B	2 - H 8	BRACKET NO. 2	60432A	5560A	2 - J 5			6130B	2 - N 7
BOLT, W. RUBBER CUSHION		6130B	2 - N 7	BRACKET NO. 2, HOOD	60357	5520A	2 - F 5	BRACKET, TUNER	66903	6680A	2 - C10
		6130B	2 - N 7	BRACKET SET	23377A	1360A	1 - J 4	BRACKET, WASHER TANK	67521	6720A	2 - J10
BOLT, W. WASHER		6140B	2 - E 8	BRACKET, ACTUATOR	13241	1380A	1 - N 4	BRACKET, WATT LINK	28180A	2800A	1 - K 9
		6140B	2 - E 8	BRACKET, ADJUSTMENT NO. 1		6142B	2 - F 8	BRACKET, WIPER MOTOR	76624	6750A	2 - M10
BOLT, WHEEL	32062	3300A	1 - E10	BRACKET, ADJUSTMENT NO. 2		6142B	2 - F 8	BRAKE SHOE SET	26310	2610A	1 - E 9
BOLT, WHEEL SET	33165	3700A	1 - M10	BRACKET, AIR CLEANER	13310	1330AA	1 - F 4	BREATHER	76060	2600A	1 - D 9
BOLT, ZINC		6142B	2 - F 8		13315A	1330AA	1 - F 4	BREATHER, AIR	17530	1700A	1 - M 5
BOOT	51938	5103A	2 - K 3		13325B	1330AA	1 - F 4		19344	1920A	1 - C 7
	64331A	5570A	2 - K 5	BRACKET, ALTERNATOR	18371	1800A	1 - H 6	BRUSH	24522	1830A	1 - J 6
BOOT KIT	49250A	2610AA	1 - F 9	BRACKET, ANTENNA NO. 1	66535	6682A	2 - D10		76617	6760A	2 - N10
	49250B	3300A	1 - E10	BRACKET, ANTENNA NO. 2	66536	6682A	2 - D10	BRUSH, YOKE	24753	1840A	1 - K 6
BOOT SET	26681S	2610A	1 - E 9	BRACKET, CANISTER	13960	1320A	1 - M 3	BULB	51060J	5105A	2 - L 3
BOOT, CHANGE	64331	5570A	2 - K 5		13960	1320AA	1 - C 4		51120J	5105A	2 - L 3
BOOT, DUST	17475	1720A	1 - G 6	BRACKET, CENTER	24706	1640A	1 - K 6		51150J	5110A	2 - M 3
BOSS, STEERING WHEEL	32980	3200A	1 - M 9	BRACKET, CHECK VALVE	42750	4200A	1 - D11		51150K	5110A	2 - M 3
BOSS, WATER PUMP PULLEY	15117	1500A	1 - H 5	BRACKET, CLUSTER SWITCH	60358	5550A	2 - I 5		51270J	5120A	2 - N 3
	15117	1500AA	1 - I 5	BRACKET, COMPRESSOR		6140B	2 - E 8		51440J	5125A	2 - C 4
BOX (L), TORQUE	54391	5370A	2 - L 4		15920	1580A	1 - K 5		51550J	5120A	2 - N 3
BOX (R), TORQUE	53391	5370A	2 - L 4	BRACKET, COMPRESSOR MTG		6142B	2 - F 8		55220J	5500A	2 - C 5
BOX, ACC	66320	6640A	2 - N 9	BRACKET, COMPUTER	18883	6600A	2 - D 9		55240J	5570A	2 - K 5
BOX, BULB	64050B	5560A	2 - J 5		18885B	6600A	2 - D 9		55280J	5500A	2 - C 5
BOX, COIN	66350D	6615A	2 - J 9	BRACKET, CONDENSER		6130B	2 - N 7		55890J	5560A	2 - J 5
BOX, GEAR	76610	6760A	2 - N10	BRACKET, CONTROL LINK	28120	2810A	1 - L 9		69170J	6900A	2 - L11
BOX, STORAGE	69760A	6900A	2 - M11	BRACKET, CONTROL UNIT	18702B	6600A	2 - D 9		69170K	6900A	2 - L11
BRACKET	13081	1350A	1 - G 4		18885A	6600A	2 - D 9		75115	5540A	2 - H 5
	13153	1380AA	1 - C 5	BRACKET, COOLING UNIT		6150B	2 - J 8		75115A	5540A	2 - H 5
	132411	1380A	1 - N 4	BRACKET, CUT VALVE	45131A	4500A	1 - L11	BULB & CAP	76551B	6115A	2 - J 7
	132411	1380AA	1 - C 5	BRACKET, DAMPER	62631	6230A	2 - L 8	BULB & SOCKET	55240A	5570A	2 - K 5
	13251	1380A	1 - N 4	BRACKET, DECK	56560A	5370A	2 - L 4		55280	5500A	2 - C 5
	13585	1380AA	1 - C 5	BRACKET, DEF. NOZZLE	60124	5580A	2 - M 5		55280F	5500A	2 - C 5
	13757A	1380A	1 - N 4	BRACKET, ENGINE MTG.	39020	3900A	1 - K10	BULB, CIGAR LIGHTER	66254	6610A	2 - F 9
	19960	1910A	1 - N 6	BRACKET, FIXING	32420A	3210A	1 - N 9	BULB, LOCK CYLINDER	58485	0900A	2 - C 3
	20502	1320AA	1 - D 4	BRACKET, FRONT	24550	1830A	1 - J 6	BUMPER, BOUND	34111	3400A	1 - F10
	32555	3240A	1 - D10		24710	1840A	1 - K 6	BUMPER, FRONT	50031	5000A	2 - D 3
	40070B	4000A	1 - L10		64350	5570A	2 - K 5	BUMPER, REAR	50221	5010A	2 - F 3
	40081	4000A	1 - L10	BRACKET, FUEL PUMP	45121	4500A	1 - L11	BUSHING	13184	1300AA	1 - J 3
	40630	4000A	2 - M10	BRACKET, FUSE BOX	55610A	5560A	2 - J 5		22333	1700A	1 - M 5
	40640	4000A	1 - M10	BRACKET, FUSIBLE LINK	67980	6630A	2 - L 9		32071	3210A	1 - N 9
	55970	6630A	2 - L 9	BRACKET, HOSE CLAMP		6132B	2 - C 8		32329	3230A	1 - C10
	60381	5500A	2 - D 5	BRACKET, IGNITION	18810	1800A	1 - H 6		32412B	3210A	1 - N 9
	66890B	6680A	2 - C10	BRACKET, IGNITION COIL	181901	1800A	1 - H 6		32414	3210A	1 - N 9
	76191	6115A	2 - J 7	BRACKET, JACK	53045	5370A	2 - L 4		34156	3410A	1 - G10
	76192	6115A	2 - J 7	BRACKET, LEVER	46110	4600A	1 - N11		41644	4160A	1 - C11
	76193	6115A	2 - J 7	BRACKET, LOWER PANEL	55313A	5500A	2 - C 5		41644A	4300A	1 - E11
	76504	6115A	2 - J 7	BRACKET, MASTER CYLINDER	43070	4300A	1 - E11		46085	4600A	1 - N11
BRACKET 'A'	51357	6900A	2 - K11	BRACKET, MTG., THERMOSTAT		6152B	2 - K 8		46684	4600A	1 - N11
BRACKET 'A', CONTROL UNIT	53420	5340A	2 - J 4	BRACKET, OIL HOSE	147401	1500AA	1 - I 5		48411	5830A	2 - J 6
BRACKET 'B'	51358	6900A	2 - K11	BRACKET, OIL PIPE	14744	1400A	1 - E 5		67717	6630A	2 - L 9
BRACKET 'B', CONTROL UNIT	54630	5370A	2 - L 4	BRACKET, PIPE	19940	1910A	1 - N 6		76129	6110A	2 - I 7
BRACKET 'C', CONTROL UNIT	54646A	5370A	2 - L 4	BRACKET, RADIATOR GRILLE	50715A	5005A	2 - E 3		76164	6115A	2 - J 7
BRACKET 'D', CONTROL UNIT	54690	5370A	2 - L 4	BRACKET, REAR	18W51	1830A	1 - J 6		76415A	6115A	2 - J 7
BRACKET (L)		5103A	2 - K 3		24560	1830A	1 - J 6		76427A	6110A	2 - I 7
BRACKET (L), DUCT	60369	5580A	2 - M 5		24740	1840A	1 - K 6		76481A	6120A	2 - K 7
BRACKET (L), FENDER	54290A	5320A	2 - H 4		64370	5570A	2 - K 5		76606	6750A	2 - M10
BRACKET (L), INST	71260C	5330A	2 - I 4	BRACKET, RECEIVER-DRIER		6132B	2 - C 8		88105	5700A	2 - E 6
BRACKET (L), PULL HANDLE		5840A	2 - F 7	BRACKET, RELAY	13745	6630A	2 - L 9	BUSHING SET, CHANGE LEVER	17481S	1720A	1 - G 6
BRACKET (L), TENSION ROD		3410A	1 - G10		18702A	6600A	2 - D 9	BUSHING, ARM	34460	3400A	1 - F10
BRACKET (R)	51932	5103A	2 - K 3	BRACKET, STAB. SUPPORT	28155	2810A	1 - L 9	BUSHING, CLUTCH PEDAL	41023	4300A	1 - E11
BRACKET (R), DUCT	60368A	5580A	2 - M 5	BRACKET, STARTER	18401C	1800A	1 - H 6	BUSHING, ELBOW JOINT	49686B	4340A	1 - F11
BRACKET (R), FENDER	53290A	5320A	2 - H 4		18402A	1800A	1 - H 6		49686B	4340AA	1 - G11
BRACKET (R), INST	70260E	5330A	2 - I 4	BRACKET, SUB TANK	15251	1500AA	1 - I 5				
BRACKET (R), PULL HANDLE	68465	5840A	2 - F 7	BRACKET, SUPPORT, EVAP		6152B	2 - K 8				
BRACKET (R), TENSION ROD	34850A	3410A	1 - G10	BRACKET, TANK	135151	1350AA	1 - H 4				
BRACKET CTR REAR	64430	5570A	2 - L 5		135151	1350A	1 - G 4				

ALPHABETICAL INDEX

PART NAME	D-CODE	SECTION	LOCATION	PART NAME	D-CODE	SECTION	LOCATION	PART NAME	D-CODE	SECTION	LOCATION		
BUSHING, ELBOW JOINT	49686D	4140A	-1 1-N10	CAP, REGULATOR HANDLE	58585A	5830A	-2 2-K 6	CLAMP, BATTERY	76425B	6110A	-1 2-17		
BUSHING, HINGE BOLT	51432	5103A	-1 2-K 3	CAP, RUBBER	33693	3300A	-1 1-E10	CLAMP, BULB	76466A	6120A	-1 2-K 7		
BUSHING, INNER	76605A	6730A	-1 2-K10	CAP, SEAL	66371	6750A	-1 2-M10	CLAMP, CABLE	56030	1850A	-1 1-M 6		
	76.07	6730A	-1 2-K10		76604	6730A	-1 2-K10	CLAMP, CODE	76407A	6115A	-1 2-J 7		
	76607A	6750A	-1 2-M10	CAP, SERVICE VALVE		6145B	-2 2-H 8	CLAMP, FUEL FILTER	13481	6130B	-2 2-N 7		
	76623	6750A	-1 2-M10	CAP, SPRING	17474A	1720A	-1 1-G 6	CLAMP, HOSE		6130B	-2 2-N 7		
BUSHING, OUTER	76604A	6730A	-1 2-K10		17491B	1720A	-1 1-G 6			6130B	-2 2-N 7		
BUSHING, PEDAL	43022	4300A	-1 1-E11	CAP, SUB TANK	15355A	1500A	-1 1-H 5			6130B	-2 2-N 7		
BUSHING, RUBBER		6130B	-2 2-N 7		15355A	1500AA	-2 1-J 5			6130B	-2 2-N 7		
	28102	2810A	-1 1-L 9	CAP, TANK	76672A	6750A	-1 2-M10			6130B	-2 2-N 7		
	28775	2800A	-1 1-K 9	CAP, TRUNK SIDE TRIM	68851	6840A	-2 2-G11			6130B	-2 2-N 7		
BUSHING, RUBBER - STAB.	28775A	2810A	-1 1-L 9	CAP, WHEEL	37170	3700A	-1 1-H10			6132B	-1 2-C 8		
BUSHING, STABILIZER	34153A	3410A	-1 1-G10	CARBURETOR	13600	1359A	-1 1-I 4	CLAMP, MAIN JET PLUG	25557A	1360A	-1 1-J 4		
BUTTON, RELEASE	44033	4400A	-1 1-J11	CARRIER, BATTERY	53260	1850A	-1 1-M 6	CLAMP, RELEASE WIRE	52302	5230A	-1 2-F 4		
				CARRIER, DIFFERENTIAL	27150	2700AA	-1 1-I 9	CLAMP, SPARE TIRE	56210B	3700A	-2 1-I10		
					27150	2700A	-1 1-G 9	CLAMP, TUBE		6130B	-2 2-N 7		
				CARRIER, FRONT	19540	1930A	-1 1-E 7			6130B	-2 2-N 7		
				CARRIER, OVER DRIVE	21540	1930A	-2 1-F 7			6130B	-2 2-N 7		
				CARRIER, REAR	19570	1930A	-2 1-F 7			6130B	-2 2-N 7		
				CARTRIDGE, DAMPER	49790A	3400A	-1 1-F10	CLAMP, WIRE HARNESS	146641	1400AA	-1 1-F 5		
				CARTRIDGE, OIL FILTER	23802	1400A	-1 1-E 5			6130B	-2 2-N 7		
					23802	1400AA	-2 1-G 5			6130B	-2 2-N 7		
				CASE	27230	2700AA	-1 1-I 9	CLEANER, AIR	13320	1330A	-1 1-E 4		
					27230	2700A	-1 1-G 9		13320	1330AA	-1 1-F 4		
					66760	6700A	-1 2-E10	CLIP		6132B	-1 2-C 8		
					76425	6120A	-1 2-K 7			13157A	1320AA	-1 1-C 4	
				CASE HEATER	76406	6110A	-1 2-I 7			13157B	4500A	-1 1-L11	
				CASE, BOTTOM, W/ DRAIN PLATE		6152B	-1 2-K 8			13445F	1380A	-1 1-N 4	
				CASE, CHANGE CONTROL	17470	1720A	-1 1-G 6			13446	1350A	-1 1-G 4	
				CASE, CONTROL UNIT	67571	6630A	-1 2-L 9			13446A	6720A	-1 2-J10	
				CASE, COOLING UNIT LOWER		6150B	-2 2-J 8			13447	1320AA	-1 1-C 4	
				CASE, COOLING UNIT UPPER		6150B	-2 2-J 8			13447	1320A	-1 1-M 3	
				CASE, FAN	76423	6120A	-1 2-K 7			13447J	1380AA	-1 1-C 5	
				CASE, HEATER	76401	6110A	-1 2-I 7			134481	1320AA	-1 1-C 4	
				CASE, LAMP	60245A	5500A	-2 2-D 5			13708	1380AA	-1 1-C 5	
				CASE, MAIN FUSE	66760A	6700A	-1 2-E10			146621	1500A	-1 1-H 5	
				CASE, METER	55441A	5540A	-1 2-H 5			15303B	5580A	-1 2-M 5	
				CASE, OVER DRIVE	21320	1920A	-2 1-D 7			15303D	5500A	-1 2-C 5	
				CASE, T/MISSION	17100	1700A	-1 1-M 5			18111L	1800A	-1 1-H 6	
					19310	1920A	-1 1-C 7			18762C	5530A	-1 2-G 5	
				CASE, THERMOSTAT	23502A	1360A	-2 1-K 4			18861	1800A	-1 1-H 6	
				CASE, TOP		6152B	-1 2-K 8			18863C	1500A	-1 1-H 5	
				CASE, TRANSITION		6152P	-1 2-K 8			19917	1910A	-1 1-N 6	
				CASING (L), STOPPER	39045	3900A	-1 1-K10			19941	1910A	-1 1-N 6	
				CASING, REAR AXLE	26010	2600A	-1 1-D 9			32107	3210A	-1 1-N 9	
				CASING, STOPPER	39080B	3900A	-1 1-K10			32492	3240A	-1 1-D10	
				CEILING, TOP	68030	6800A	-1 2-C11			41666A	6640A	-1 2-N 9	
					68080	6800A	-1 2-C11			44173	4400A	-1 1-J11	
				CHAIN, OIL PUMP	14151	1400AA	-1 1-F 5			44189	4400A	-1 1-J11	
					14151	1400A	-1 1-E 5			44436	4400A	-2 1-K11	
				CHAMBER SET, DIAPHRAGM	23271	1360A	-1 1-J 4			44471	4400A	-2 1-K11	
				CHAMBER, AIR	13283	1380AA	-1 1-C 5			45903A	4360AA	-1 1-I11	
				CHAMBER, DRAIN HOSE	56841A	5370A	-1 2-L 4			45903A	4360A	-1 1-H11	
				CHAMBER, DYNAMIC	13110C	1300AA	-1 1-J 3			45903B	1910A	-1 1-N 6	
				CHAMBER, THROTTLE	205001	1320AA	-2 1-D 4			45903E	4500A	-2 1-M11	
					23311	1360A	-1 1-J 4			58316C	6230A	-1 2-L 8	
				CHAMBER, VACUUM	13775A	1380AA	-2 1-D 5			58866	5830A	-2 2-K 6	
				CHANNEL, GLASS	58605A	5800A	-1 2-I 6			66365A	6640A	-1 2-N 9	
				CHILD RESISTANT SEAT CLIP		5790A	-1 2-H 6			67011C	6704A	-1 2-I10	
				CHOKE SET, RETURN	23534	1360A	-2 1-K 4			67043A	6704A	-1 2-I10	
				CHOKE SET, SEMI AUTO	23500	1360A	-2 1-K 4			67051E	6704A	-1 2-I10	
				CIRCUIT	67561A	6630A	-1 2-L 9			67051J	6682A	-1 2-D10	
				CLAMP		6130B	-2 2-N 7			67054A	6704A	-1 2-I10	
						24304	1820A	-1 1-I 6			67191A	6704A	-1 2-I10
						24305	1820A	-1 1-I 6			68151B	5500A	-3 2-E 5
						76173	6110A	-1 2-I 7			68712D	6840A	-2 2-G11
										68713B	6840A	-2 2-G11	

ALPHABETICAL INDEX

PART NAME	D-CODE	SECTION	LOCATION	PART NAME	D-CODE	SECTION	LOCATION	PART NAME	D-CODE	SECTION	LOCATION
CLIP	76419	6110A	1-2	CONDENSOR	24334	1820A	1-16	COVER, DUST (R)	26130	2610AA	1-F9
	76434	6120A	2-K7		66992	6682A	2-D10	COVER, FILTER	45141	4500A	1-L11
	76435	6110A	2-17	CONNECTING, SHELL	21565	1930A	2-17	COVER, FRONT	106001	1040A	1-E3
	76512F	6110A	2-17	CONNECTOR SET, FUEL	234091	1360A	1-J4		16220	1600A	1-L5
CLIP, AIR HOSE	13242	1380AA	1-C5	CONNECTOR, AIR TUBE	14617	1400AA	1-F5	COVER, HEATER	61145	6110A	2-17
	13726	1371A	1-L4	CONNECTOR, FRT. WIRING	67049	6700A	2-E10	COVER, HOLE	55225B	5500A	2-C5
	13726	1371AA	1-M4	CONNECTOR, FUEL	13265A	1320AA	1-C4		56051	5390A	2-M4
	13726B	1380AA	1-C5		20237	1320AA	1-C4		56051B	5390A	2-M4
	137461	1371AA	1-M4	CONNECTOR, FUEL FILTER	13484	1320AA	1-C4		66600	5500A	2-E5
	147451	1500AA	1-15	CONNECTOR, SHORT	67741	6630A	2-L9	COVER, HOLE-SW. PANEL	55225C	5500A	2-C5
CLIP, CABLE	44439	4400A	2-1K11		67985	67C1A	2-F10	COVER, INNER HANDLE	58303B	5830A	2-J6
	67290	1850A	1-M6	CONNECTOR, STRAIGHT	19332	1920A	1-C7	COVER, MOTOR	76421C	6120A	2-K7
	67293	1850A	1-M6	CONNECTOR, TUBE	13945	1380AA	2-1D5	COVER, ROD	17490A	1720A	1-G6
CLIP, COIL SCREEN		6152B	2-K8	CONSOLE, REAR	64410	5570A	2-K5	COVER, SASH GUIDE	57631	5790A	2-H6
CLIP, D. TOP CEILING	70335B	6800A	2-C11	CONTACT	24496	1820A	1-16	COVER, SEKVICE HOLE	50310	5010A	2-F3
CLIP, DRAIN HOSE	13305B	5360A	2-K4	CONTACT, HORN	60267	6611A	2-G9		56061	5390A	2-M4
	13305B	6330A	2-C9	CONTROL UNIT	18701	6600A	2-D9		56231A	5390A	2-M4
CLIP, ENGINE HARNESS	18994A	1800A	1-H6	CONTROL UNIT (EMISSION)	189401	6600A	2-D9		56639	5390A	2-M4
CLIP, FLEXIBLE HOSE	43635	4360AA	1-111	CONTROL, HEATER	61190	6100A	2-H7		56639D	6100A	2-H7
	43635	4360A	1-H11	CONTROL, HEATER TEMP.	61180	6100A	2-H7	COVER, SERVO	19392	1920A	1-C7
	43635A	4140A	1-N10	CONTROLLER	32400	3210A	1-N9	COVER, SET	33049	3300A	1-E10
	43635B	4360AA	1-111	CONVERTER NO. 1, PRE	40780A	4000A	2-1M10	COVER, TERMINAL	67011E	6701A	2-F10
	43635B	4360A	1-H11	CONVERTER NO. 2, PRE	40400A	4000A	1-L10	COVER, THERMOSTAT	15172	1500A	1-H5
CLIP, HEATER HOSE	15545	6100A	2-H7	CONVERTER, MONOLITH	404001	4000A	1-L10		15172	1500AA	1-15
CLIP, HOSE	43635C	4360AA	1-111	CONVERTER, TORQUE	19100A	1910A	1-N6	COVER, TOP	19029	1910A	1-N6
CLIP, INST. HARNESS	67031E	6702A	2-G10	COOLER, OIL	147001	1500AA	1-15	COVER, UNDER	19027A	1910A	1-N6
CLIP, M. OIL TUBE	14668A	1400AA	2-1G5		147002	1400A	1-E5		56111	5390A	2-M4
CLIP, MOULDING	50506A	5030A	2-G3	CORD, ALTERNATOR	183151	6701A	2-F10	COVER, VENT	16146	1600A	1-L5
CLIP, OIL PIPE	14745A	1400A	1-E5	CORD, DIN	66910A	6682A	2-D10	COVER, WHEEL CORE	32049	3200A	1-M9
CLIP, OIL TUBE	14296	1400A	1-E5		66910B	6682A	2-D10	COVER, WIPER ARM	76641	6730A	2-K10
	146411	1400AA	1-F5	CORD, RR. DEF.	67051C	6700A	2-E10	COVER, WIPER MOTOR	67435A	6750A	2-M10
CLIP, PIPE	45901	4500A	1-L11		67051D	6700A	2-E10	COVER, WIPER, ARM	76641A	6750A	2-M10
	45903	4500A	1-L11	CORD, SHORT	66970G	6682A	2-D10	COWLING, RADIATOR	15210A	1500A	1-H5
	45903D	4500A	1-L11	CORE, HEATER	76405	6110A	2-17		15210A	1500AA	1-15
	45904A	4500A	2-1M11	COUPLING SET	2434C	1820A	1-16	CUP, FLOATING	49635	4340A	1-F11
	45931	4500A	2-1M11	COVER	13187	1300AA	1-J3		49635	4340AA	1-G11
	67519	6720A	2-J10		19240	1910A	1-N6	CUP, PRIMARY	41461	4140A	1-N10
CLIP, RETAINER-BUMPER	50064	5010A	2-F3		236731	1330A	1-E4		49626	4340A	1-F11
CLIP, TUBULAR	51782	5170A	2-D4		236731	1330AA	1-F4		49626	4340AA	1-G11
CLIP, WIRE	58559B	6704A	2-110		24368	1820A	1-16	CUP, SECONDARY	41451	4140A	1-N10
CLIPS, RETAINER		6152B	2-K8		40551	4000A	1-L10		49625	4340A	1-F11
CLOCK, AUTO	55710	5500A	2-D5		44061A	4400A	1-J11		49625	4340AA	1-G11
CLUTCH		6142B	2-F8		44062	4400A	1-J11	CUSHION	34136	3410A	1-G10
CLUTCH ASSY., MAGNETIC		6140B	2-E8		66732	6700A	2-E10		56785	5230A	2-F4
CLUTCH, DIRECT	21510	1930A	2-1F7		76609	6730A	2-K10	CUSHION (L), FRONT SEAT	88160	5700A	2-G6
CLUTCH, FRONT	19460	1930A	1-E7	COVER (L), KNUCKLE	88166	5700A	2-G6	CUSHION (R), FRONT SEAT	88110	5700A	2-F6
CLUTCH, ONE-WAY	19595	1940A	1-G7	COVER (R), KNUCKLE	88116	5700A	2-F6	CUSHION, DOOR	58906	5830A	2-K6
CLUTCH, OVER RUNNING	24722	1840A	1-K6	COVER KIT, END	32150	3210A	1-N9	CUSHION, RUBBER		6130B	2-N7
CLUTCH, REAR	19510	1930A	1-E7	COVER KIT, SIDE	32170A	3210A	1-N9	CYLINDER (L), WHEEL		2610A	1-E9
COCK, DRAIN	15207	1500A	1-H5	COVER LATCH	62882	6330A	2-C9	CYLINDER (R), WHEEL	26610A	2610A	1-E9
	15207	1500AA	1-15	COVER SET	24741A	1840A	1-K6	CYLINDER HEAD		6142B	2-F8
COIL, EVAPORATOR		6152B	2-K8	COVER SET, LEV. GAUGE	23340	1360A	1-J4	CYLINDER, CLUTCH MASTER	41990	4140A	1-N10
COIL, IGNITION	18100	1800A	1-H6	COVER SET, WATER PUMP	15130S	1500A	1-H5	CYLINDER, CLUTCH RELEASE	41920	4140A	1-N10
COLLAR	15933	1580A	1-K5		15130S	1500AA	1-15	CYLINDER, TANDEM MASTER	43990	4340AA	1-G11
	15933A	1580A	1-K5	COVER, BEARING	17325	1700A	1-M5		43990	4340A	1-F11
	15942	1580A	1-K5	COVER, BLIND	17486A	1720A	1-G6	*** D ***			
	23615B	1330AA	1-F4	COVER, CLUTCH	16410	1600A	1-L5	DAM, FRT W. SHIELD GLASS	63902	6300A	2-M8
COLLAR, BEARING	26152	2600A	1-D9	COVER, COLUMN-LOWER	60210A	5500A	2-D5	DAM, SIDE WINDOW	63942B	6300A	2-M8
COLLAR, CLUTCH RELEASE	16510	1600A	1-L5	COVER, COLUMN-UPPER	60210	5500A	2-D5	DAMPER	34910A	3400A	1-F10
COMPENSATOR	236931	1330A	1-E4	COVER, CONTROL UNIT	67516	6630A	2-L9		64625A	5500A	2-D5
COMPRESSOR		6142B	2-F8	COVER, DUST	103051	1040A	1-E3	DAMPER SET, REAR	28700S	2800A	1-K9
COMPRESSOR MOUNT KIT (5444)		6142B	2-F8		10351	1040A	1-E3	DAMPER, PULSATION	13290C	1320AA	1-C4
COMPRESSOR, ASSY		6140B	2-E8		16214	1600A	1-L5	DASH POT	20190A	1360A	1-J4
COMPRESSOR CLUTCH		6142B	2-F8		32411	3210A	1-N9		20190C	1320AA	1-C4
CONDENSER		6130B	2-N7		34015	3400A	1-F10				
CONDENSER ASSEMBLY		6132B	2-C8	COVER, DUST (L)	26140	2610AA	1-F9				

ALPHABETICAL INDEX

PART NAME	D-CODE	SECTION	LOCATION	PART NAME	D-CODE	SECTION	LOCATION	PART NAME	D-CODE	SECTION	LOCATION	
DECK (L), FLOOR	56540A	5370A -1	2 - L 4	*** F ***				FUNNEL	40560	4000A -2	1 - M10	
DECK (R), FLOOR	56510	5370A -1	2 - L 4	FAN & FAN DRIVE	152501	1500AA-1	1 - I 5	FUNNEL, AIR	13341	1330AA-1	1 - F 4	
DECK, TAPE-CASSETTE	66900D	6680A -1	2 - C10	FAN DRIVE	152501	1500A -1	1 - H 5	FUSE (10A)	66495	6700A -1	2 - E10	
DEFLECTOR	62801A	6330A -1	2 - C 9	FAN DRIVE	152101	1500A -1	1 - H 5	FUSE (15A)	66496	6700A -1	2 - E10	
DIAPHRAGM, CARBURETOR	23322	1360A -1	1 - J 4	FAN, COOLING	15140	1500AA-1	1 - I 5	FUSE (20A)	66497	6700A -1	2 - E10	
DIAPHRAGM, SHUTTER VALVE	131301	1380A -1	1 - N 4	FASTENER	15140	1500A -1	1 - H 5	*** G ***				
DIAPHRAGM, VACUUM	19823	1920A -2	1 - D 7	FASTENER	15140	1500A -1	1 - H 5	GARNISH (L), CTR. TRIM		6820A -1	2 - D11	
DIPSTICK	10450	1030A -1	1 - D 3	FASTENER	50036C	5000A -1	2 - D 3	GARNISH (L), SIDE WINDOW	51891A	6300A -1	2 - M 8	
	19880	1920A -2	1 - D 7	FASTENER	50036D	5010A -1	2 - F 3	GARNISH (L), TOP-SIDE		6800A -1	2 - C11	
	32612B	3240A -1	1 - D10	FASTENER	50037C	5000A -1	2 - D 3	GARNISH (R), CTR. TRIM	68220	6820A -1	2 - D11	
DISC, CLUTCH	16460	1600A -1	1 - L 5	FASTENER	50242A	5180A -1	2 - E 4	GARNISH (R), SIDE WINDOW	51881A	6300A -1	2 - M 8	
DISC, FRICTION	79977	2700AA-2	1 - J 9	FASTENER	58762	5800A -1	2 - I 6	GARNISH (R), TOP-SIDE	68050A	6800A -1	2 - C11	
DISTRIBUTOR	18200	1820A -1	1 - I 6	FASTENER	58921	5840A -2	2 - D 7	GARNISH, TOP-FRONT	68021F	6800A -1	2 - C11	
DISTRIBUTOR, OIL	19650	1940A -1	1 - G 7	FASTENER	58921D	6840A -1	2 - F11	GASKET	13135	1380A -1	1 - N 4	
DOWEL, TUBULAR	101111	1030A -1	1 - D 3	FASTENER	68031B	6900A -1	2 - K11		13135C	1300AA-1	1 - J 3	
DRIVE & DIFFERENTIAL	27100	2700A -1	1 - G 9	FASTENER	68032B	5310A -1	2 - G 4		131711	1380AA-1	1 - C 5	
	27100	2700AA-1	1 - I 9	FASTENER, AIR DUCT	68965A	6800A -1	2 - C11		13211	1330AA-1	1 - F 4	
DRUM, BRAKE	26251	2610A -1	1 - E 9	FASTENER, FRNT. PILLAR TRIM	69885A	6860A -1	2 - I11		13212	1330AA-1	1 - F 4	
DRUM, CLUTCH	19470	1930A -1	1 - E 7	FASTENER, PROTCTOR	688651	1330AA-1	1 - F 4		13291	1320AA-1	1 - C 4	
DRUM, CONNECTING	19590	1940A -1	1 - G 7	FASTENER, QTR. GARNISH	68172B	6820A -1	2 - D11		13483A	1320AA-1	1 - C 4	
	19591	1940A -1	1 - G 7	FASTENER, RR. PILLAR TRIM	69885K	5390A -1	2 - M 4		13541	1350AA-1	1 - H 4	
DRUM, DIRECT	21520	1930A -2	1 - F 7	FASTENER, TOP CEILING	68865R	6840A -2	2 - G11		13761	1380AA-1	1 - C 5	
DRUM, REAR CLUTCH	19511	1930A 1	1 - E 7	FASTENER, WINDOW MLDG.	68865P	6820A -2	2 - E11		148231	1500AA-1	1 - I 5	
DUCT	61150	6100A -1	2 - H 7	FEEDER, ANTENNA	68865V	6800A -1	2 - C11		15081	1500AA-1	1 - I 5	
DUCT (L), AIR	56830B	5310A -1	2 - G 4	FEEDER-ANTENNA	50608B	5030A -1	2 - G 3		15081	1500A -1	1 - H 5	
DUCT (L), SIDE DEMISTER	60182	5580A -1	2 - M 5	FIELD COIL	66944A	6682A -1	2 - D10		15082	1500AA-1	1 - I 5	
DUCT (R), AIR	56820A	3310A -1	2 - G 4	FILLER, REAR BUMPER	66935	6682A -1	2 - D10		15082	1500A -1	1 - H 5	
DUCT (R), SIDE DEMISTER	60181A	5580A -1	2 - M 5	FILTER, FUEL	50311A	5010A -1	2 - F 3		15173	1500A -1	1 - H 5	
DUCT NO. 1 (L)	64771B	5580A -1	2 - M 5	FLANGE, COMPANION	13470	1320A -1	1 - M 3		15173	1500AA-1	1 - I 5	
DUCT NO. 2 (L)	64772B	5580A -1	2 - M 5	FLANGE, DRIVE	13480	1320AA-1	1 - C 4		15611	6600A -1	2 - D 9	
DUCT NO. 2 (R)	64772C	5580A -1	2 - M 5	FLAP	42113	4200A -1	1 - D11		18763A	4000A -1	1 - L10	
DUCT NO. 3 (L)	64773B	5580A -1	2 - M 5	FLATWASHER, 1/2, SAE	20308	1380AA-2	1 - D 5		19396A	1920A -1	1 - C 7	
DUCT NO. 3 (R)	64773A	5580A -1	2 - M 5	FLATWASHER, 10MM, 22MM OD, ZINC	50850	5180A -1	2 - E 4		207711	1380A -1	1 - N 4	
DUCT, AIR	13305D	1330AA-1	1 - F 4	FLATWASHER, 10MM, W/ .008 OD	19580	1940A -1	1 - G 7		23303A	1360A -1	1 - J 4	
	133251	1330AA-1	1 - F 4	FLATWASHER, 10MM, ZINC	76453	6120A -1	2 - K 7		23481	1360A -2	1 - K 4	
	13360	1330AA-1	1 - F 4	FLATWASHER, 6 X 18 X 1.6 Z1	27020	2700A -1	1 - G 9		40078	4000A -1	1 - L10	
DUCT, CENTER	64750A	5580A -1	2 - M 5	FLATWASHER, 6MM, ZINC	27020	2700AA-1	1 - I 9		40325	4000A -1	1 - L10	
DUCT, HOT AIR	13390	1310A -1	1 - K 3	FLOAT	19581	1940A -1	1 - G 7		40356	4000A -1	1 - L10	
	13390	1310AA-1	1 - L 3	FLOAT SET, FRONT	15411	1500AA-2	1 - J 5		40375	4000A -1	1 - L10	
DUM 'A' (L)	50526C	5030A -1	2 - G 3	FLOAT SET, REAR		6142B -1	2 - F 8		40668	4000A -2	1 - M10	
DUM 'A' (R)	50515B	5030A -1	2 - G 3	FLYWHEEL		6142B -1	2 - F 8		41443	4140A -1	1 - N10	
DUM 'B' (L)	50527B	5030A -1	2 - G 3	FORK, BRAKE		6132B -1	2 - C 8		41443A	4300A -1	1 - E11	
DUM 'B' (R)	50517B	5030A -1	2 - G 3	FORK, CLUTCH		6132B -1	2 - C 8		43443	4340AA-1	1 - G11	
*** F ***				FORK, CLUTCH RELEASE		6152B -1	2 - K 8		43443	4340A -1	1 - F11	
ELBOW, RETURN	32607B	3240A -1	1 - D10	FORK, SHIFT		6132B -1	2 - C 8		51902F	6300A -1	2 - M 8	
ELEMENT, AIR CLEANER	23603	1330A -1	1 - E 4	FORK, SHIFT (1ST & 2ND)		6132B -1	2 - C 8		56793	5330A -1	2 - I 4	
	23603	1330AA-1	1 - F 4	FORK, SHIFT (3RD & 4TH)		43542	4340A -1	1 - F11	76124	6120A -1	2 - K 7	
EMBLEM	37192	3700A -1	1 - H10	FRAME	43542	4340AA-1	1 - G11		76455A	6120A -1	2 - K 7	
	37192B	3700A -1	1 - H10	FRAME (L), REAR SIDE	23328B	1360A -1	1 - J 4		76464A	6120A -1	2 - K 7	
END, CONTROL ROD	17461A	1720A -1	1 - G 6	FRAME (L), SIDE-FRONT	23329C	1360A -1	1 - J 4		22900	1960A -1	1 - I 7	
END, SHIFT	17432	1720A -1	1 - G 6	FRAME (R), REAR SIDE	11500	1100A -1	1 - G 3		GASKET & SEAL KIT			
END, SHIFT ROD (1ST & 2ND)	17410A	1720A -1	1 - G 6	FRAME (R), SIDE-FRONT	43140	4300A -1	1 - E11		GASKET (L)	64727	5580A -1	2 - M 5
END, SHIFT ROD (3RD & 4TH)	17422A	1720A -1	1 - G 6	FRAME (R), SIDE-FRONT	41140	4300A -1	1 - E11		GASKET (L), MIRROR	69196	6900A -2	2 - L11
ENGINE, SHORT	23800	1000A -1	1 - C 3	FRAME, GLOVE BOX-LWR.	16520	1600A -1	1 - L 5		GASKET (L), REAR COMB.		5110A -1	2 - M 3
EQUALIZER, GRAPHIC	66920D	6680A -1	2 - C10	FRAME, INST. PANEL	17406	1720A -1	1 - G 6		GASKET (R)	64728A	5580A -1	2 - M 5
ESCUTCHEON	58375	5830A -1	2 - J 6	FRONT PLATE & ROTOR	17402	1720A -1	1 - G 6		GASKET (R), MIRROR	69136	6900A -2	2 - L11
EVAPORATOR	6150B -2	2 - J 8			17404	1720A -1	1 - G 6		GASKET (R), REAR COMB.	51164	5110A -1	2 - M 3
EVAPORATOR ASSEMBLY	6152B -1	2 - K 8			76602	6730A -1	2 - K10		GASKET KIT, OVERHAUL		6145B -2	2 - H 8
EXPANSION VALVE	6152B -1	2 - K 8			54810	5370A -1	2 - L 4		GASKET SET	23510	1359A -1	1 - I 4
EXTENSION, AIR VALVE	37600H	3700A -2	1 - I10		54300	5320A -1	2 - H 4			236801	1330A -1	1 - E 4
EXTENSION, FEEDER	66936	6682A -1	2 - D10		53810	5370A -1	2 - L 4		GASKET SET, ENGINE	102715	1000A -1	1 - C 3
EXTRACTOR (L)		5180A -1	2 - E 4		53300	5320A -1	2 - H 4		GASKET SET, SUB-ENGINE	131115	1000A -1	1 - C 3
EXTRACTOR (R)	51911	5180A -1	2 - E 4		60532	5560A -1	2 - J 5		GASKET, A-C VALVE	137241	1371A -1	1 - L 4
					60420A	5560A -1	2 - J 5			137241	1371AA-1	1 - M 4
						6142B -1	2 - F 8		GASKET, CAP	42462	4200A -1	1 - D11

ALPHABETICAL INDEX

PART NAME	D-CODE	SECTION	LOCATION	PART NAME	D-CODE	SECTION	LOCATION	PART NAME	D-CODE	SECTION	LOCATION
GASKET, DRAIN COCK	15208	1500AA-1	1 - I 5	GEAR, OVER TOP	17611	1710A -3	1 - E 6	HANDLE, INNER	58321C	5830A -1	2 - J 6
	15208	1500A -1	1 - H 5	GEAR, OVERDRIVE	21560	1930A -2	1 - F 7	HANDLE, JACK	68810A	3700A -3	1 - J10
GASKET, DRAIN PLUG	10405	1040A -1	1 - E 3	GEAR, REVERSE	17281	1710A -2	1 - D 6	HANDLE, REGULATOR	58370	5830A -1	2 - J 6
GASKET, DRUM SUPPORT	21253	1920A -2	1 - D 7	GEAR, REVERSE IDLE	17310	1710A -2	1 - D 6	HANGER, COAT	69941	6900A -3	2 - M11
GASKET, EXHAUST MANIFOLD	13462	1310AA-1	1 - L 3	GEAR, RING	11502	1100A -1	1 - G 3	HANGER, ENGINE	108611	1040A -2	1 - F 3
	13462	1310A -1	1 - K 3	GEAR, SHAFT	76661	6740A -1	2 - L10		108621	1040A -2	1 - F 3
GASKET, EXHAUST PIPE	13483	1310A -1	1 - K 3	GEAR, SHELL & SUN	19550	1930A -1	1 - E 7	HANGER, SILENCER	40160	4000A -1	1 - L10
	13483	1310AA-1	1 - L 3	GEAR, SPEEDO. DRIVE	17341A	1940A -1	1 - G 7		40160A	4000A -1	1 - L10
GASKET, EXTENSION	19735	1920A -1	1 - C 7	GEAR, STATIONARY-FRT.	105001	1030A -1	1 - D 3	HARNES (L), DOOR	67190H	6703A -1	2 - H10
GASKET, FILLER PIPE	42241	4200A -1	1 - D11	GEAR, STATIONARY-RR.	105501	1030A -1	1 - D 3	HARNES (R), DOOR	67200C	6703A -1	2 - H10
GASKET, FLANGE	23358	1360A -1	1 - J 4	GEAR, STEERING	32110	3210A -1	1 - N 9	HARNES, FRONT	67010A	6700A -1	2 - E10
GASKET, FLOAT CHAMBER	23321	1360A -1	1 - J 4	GEAR, SUN	19560	1930A -1	1 - E 7	HARNES, INSTRUMENT	67030	6702A -1	2 - G10
GASKET, FRONT COMB.	51062A	5105A -1	2 - L 3	GLASS (L), DOOR-FRT.		5800A -1	2 - I 6	HARNES, PARK. BRAKE	67120	6702A -1	2 - G10
GASKET, FRONT COVER	10641	1040A -1	1 - E 3	GLASS (L), SIDE WINDOW		6300A -1	2 - M 8	HARNES, REAR	67050	6700A -1	2 - E10
	16225	1600A -1	1 - L 5	GLASS (R), DOOR-FRT.	58500	5800A -1	2 - I 6	HARNES, T/MISSION	67090	6701A -1	2 - F10
GASKET, FUEL PIPE	42182	4200A -1	1 - D11	GLASS (R), SIDE WINDOW	63941	6300A -1	2 - M 8	HEADER, FRONT	70640	5360A -1	2 - K 4
GASKET, GAUGE	66773A	4200A -1	1 - D11	GLASS, FRONT	75013	5540A -1	2 - H 5	HEADER, REAR	70700	5360A -1	2 - K 4
GASKET, HOLE COVER	50292	5010A -1	2 - F 3	GLASS, REAR WINDOW	63931	6300A -1	2 - M 8	HEATER UNIT	61130	6100A -1	2 - H 7
GASKET, INTAKE MANIFOLD	13111	1300AA-1	1 - J 3	GLASS, WINDSHIELD	63901	6300A -1	2 - M 8	HINGE 'A' (L), SUNROOF	63860	6330A -1	2 - C 9
	13111	1300A -1	1 - I 3	GOVERNOR	19660	1940A -1	1 - G 7	HINGE 'A' (R), SUNROOF	62860	6330A -1	2 - C 9
GASKET, KEY CYLINDER	58962C	0900A -1	2 - C 3	GOVERNOR SET	24330	1820A -1	1 - I 6	HINGE 'B', ROOF	62870A	6330A -1	2 - C 9
GASKET, KIT		6142B -1	2 - F 8	GRILLE (L), DEF. NOZZLE	60795	5560A -1	2 - J 5	HINGE (L)	63210	6230A -1	2 - L 8
GASKET, LICENSE LAMP	51274	5120A -1	2 - N 3	GRILLE (L), EXTRACTOR		5180A -1	2 - E 4	HINGE (L), DOOR-LOWER		5800A -1	2 - I 6
GASKET, METERING OIL	146111	1400A -1	1 - E 5	GRILLE (R), DEF. NOZZLE	60785	5560A -1	2 - J 5	HINGE (L), DOOR-UPPER		5800A -1	2 - I 6
	146111	1400AA-1	1 - F 5	GRILLE (R), EXTRACTOR	51901	5180A -1	2 - E 4	HINGE (L), LID-LAMP		5103A -1	2 - K 3
GASKET, O/DRIVE CASE	21322	1920A -2	1 - D 7	GRILLE, COWL	50791	5180A -1	2 - E 4	HINGE (R)	62210	6230A -1	2 - L 8
GASKET, OIL CAP	102521	1030A -1	1 - D 3	GRILLE, DEF. NOZZLE	60716	5560A -1	2 - J 5	HINGE (R), DOOR-LOWER	58240	5800A -1	2 - I 6
GASKET, OIL PAN	10431	1040A -1	1 - E 3	GRILLE, RADIATOR	50711	5005A -1	2 - E 3	HINGE (R), DOOR-UPPER	58210	5800A -1	2 - I 6
	19835	1920A -2	1 - D 7	GRILLE, SPEAKER	66980C	6682A -1	2 - D10	HINGE (R), LID-LAMP	51430A	5103A -1	2 - K 3
GASKET, OIL PUMP	19215	1910A -1	1 - N 6	GRIP (L), ASSIST		5840A -4	2 - F 7	HINGE, HOOD	52410A	5230A -1	2 - F 4
GASKET, OIL STRAINER	141711	1400A -1	1 - E 5	GRIP (R), ASSIST	69365A	5840A -4	2 - F 7	HOLDER	41366A	4140A -1	1 - N10
	141711	1400AA-1	1 - F 5	GROMMET		6132B -1	2 - C 8	HOLDER SET, RETURN	23371A	1360A -1	1 - J 4
GASKET, REGULATOR HANDLE	58552	5830A -1	2 - J 6		13252	1320AA-1	1 - C 4	HOLDER, BAND	60265	6611A -1	2 - G 9
GASKET, RESO. CHAMBER	13116B	1300AA-1	1 - J 3		28778	2800A -1	1 - K 9	HOLDER, BI-METAL	23501	1360A -2	1 - K 4
GASKET, SHUTTER VALVE	131391	1380A -1	1 - N 4		42345	4200A -1	1 - D11	HOLDER, BRUSH	24750	1840A -1	1 - K 6
GASKET, SPRING CAP	17475A	1720A -1	1 - G 6		42452A	4200A -1	1 - D11		76612	6740A -1	2 - L10
GASKET, WATER PUMP	15116	1500A -1	1 - H 5		61479	6100A -1	2 - H 7	HOLDER, COUPLER	76483	6120A -1	2 - K 7
	15116	1500AA-1	1 - I 5		67072	6704A -1	2 - I10	HOLDER, FLAP-RAD. SHROUD	15412	1500AA-2	1 - J 5
GASKET, WHEEL CYLINDER	26615	2610A -1	1 - E 9		87846	6730A -1	2 - K10	HOLDER, HOOD STAY	52518	5230A -1	2 - F 4
GAUGE UNIT, OIL PRESSURE	148201	6600A -1	2 - D 9	GROMMET, 1/2 X 3/8		6152B -1	2 - K 8	HOLDER, KEY CYLINDER	60261A	5500A -2	2 - D 5
GAUGE, FUEL & TEMPERATURE	55491A	5540A -1	2 - H 5	GROMMET, CHOKE WIRE	7052	5500A -2	2 - D 5	HOLDER, LICENSE PLATE	50030	5000A -1	2 - D 3
GAUGE, FUEL TANK	60960A	4200A -1	1 - D11	GROMMET, DRAIN HOSE		6150B -2	2 - J 8		50340	5010A -1	2 - F 3
GAUGE, OIL & VOLTAGE	55491C	5540A -1	2 - H 5	GROMMET, RUBBER		6130B -2	2 - N 7	HOLDER, P.B. VALVE	43750A	4360A -1	1 - H11
GEAR	24746	1840A -1	1 - K 6	GROMMET, SCREW	51029	5100A -1	2 - J 3		43750A	4360AA-1	1 - I11
GEAR SET	24744	1840A -1	1 - K 6		68402	5840A -2	2 - D 7	HOLDER, RECEIVER		6130B -2	2 - N 7
GEAR SET, FINAL	27110	2700AA-1	1 - I 9		68719	6840A -2	2 - G11	HOLDER, REMOTE BULB		6150B -2	2 - J 8
	27110	2700A -1	1 - G 9		69361	5840A -4	2 - F 7	HOLDER, ROD	58309	5830A -1	2 - J 6
GEAR, 1ST	17271	1710A -1	1 - C 6		72502A	5800A -1	2 - I 6	HOOD	52310	5230A -1	2 - F 4
GEAR, 2ND	17250	1710A -1	1 - C 6	GROMMET, WIRE HARNESS		6150B -2	2 - J 8	HOOD, METER	55410	5520A -1	2 - F 5
GEAR, 3RD	17230	1710A -1	1 - C 6	GUIDE	76421D	6110A -1	2 - I 7	HOOK	40270	4000A -1	1 - L10
GEAR, COUNTER	17308	1710A -2	1 - D 6		76422D	6110A -1	2 - I 7		40280	4000A -1	1 - L10
GEAR, COUNTER REVERSE	17302	1710A -2	1 - D 6		76429A	6110A -1	2 - I 7	HOOK (L), FRONT		5390A -1	2 - M 4
GEAR, COUNTER SHAFT	17301	1710A -2	1 - D 6	GUIDE 'A' (L), GLASS		5800A -1	2 - I 6	HOOK (R), FRONT	56290	5390A -1	2 - M 4
GEAR, DIFF. SIDE	27251	2700AA-1	1 - I 9	GUIDE 'A' (R), GLASS	58601	5800A -1	2 - I 6	HOOK SLIDE	62885	6330A -1	2 - C 9
	27251	2700A -1	1 - G 9	GUIDE NO. 1, POLE	88141Q	5700A -5	2 - G 6	HOOK, GLOVE LID	68332	5560A -1	2 - J 5
GEAR, DRIVE	115311	1100A -1	1 - G 3	GUIDE NO. 2, POLE	88138P	5700A -4	2 - F 6	HOOK, REAR	56291	5390A -1	2 - M 4
	17341	1710A -3	1 - E 6	GUIDE, OIL HOSE	19939	1910A -1	1 - N 6	HOOK, TIE DOWN	56291A	5390A -1	2 - M 4
GEAR, DRIVE-OIL PUMP	115511	1100A -1	1 - G 3					HOOK, TRIM	69605C	6840A -3	2 - H11
GEAR, DRIVEN	146251	1400AA-1	1 - F 5	* * * H * * *				HORN, AIR	23310	1360A -1	1 - J 4
	146251	1400A -1	1 - E 5	HANDLE (L), PULL		5840A -3	2 - E 7	HORN, HIGH TONE	66780A	6635A -1	2 - M 9
	17441	1700A -1	1 - M 5			5840A -5	2 - G 7	HORN, LOW TONE	66790	6635A -1	2 - M 9
	19441	1920A -1	1 - C 7	HANDLE (L), OUTSIDE-FRT. DOOR		5830A -1	2 - J 6	HOSE	135271	1350A -1	1 - G 4
GEAR, FRICTION	17302A	1710A -2	1 - D 6	HANDLE (R), OUTSIDE-FRT. DOOR	58420	5830A -1	2 - J 6		135271	1350AA-1	1 - H 4
GEAR, INTERNAL	19533	1930A -1	1 - E 7	HANDLE (R), PULL	68422	5840A -3	2 - E 7		32682	3240A -1	1 - D10
	19533B	1930A -1	1 - E 7		69371B	5840A -4	2 - F 7		76420	6110A -1	2 - I 7
GEAR, MAIN DRIVE	17201	1710A -1	1 - C 6					HOSE BLOCK ASSEMBLY		6132B -1	2 - C 8

ALPHABETICAL INDEX

PART NAME	D-CODE	SECTION	LOCATION	PART NAME	D-CODE	SECTION	LOCATION	PART NAME	D-CODE	SECTION	LOCATION	
HOSE LIQUID 55.91 INCHES		6132B	2 - C 8	HOSE, RETURN	32481	3240A	1 - D10	INSULATOR NO. 1, REAR	56480	5390A	2 - M 4	
HOSE NO. 1, FLEXIBLE	43810A	4360AA	1 - I11	HOSE, SCREEN WASHER	67275	6750A	2 - M10	INSULATOR NO. 2, FRONT	56440	5390A	2 - M 4	
	43810B	4360AA	1 - I11	HOSE, SUCTION		6130B	2 - N 7	INSULATOR NO. 4, REAR	56460	5390A	2 - M 4	
	43810B	4360A	1 - H11	HOSE, VACUUM	132431	1380AA	1 - C 5	INSULATOR, DASH, UPPER	68664E	6860A	2 - I11	
HOSE NO. 2, WATER	61212	6100A	2 - H 7		132451	1380AA	1 - C 5	INSULATOR, DASHBOARD	68620	6860A	2 - I11	
HOSE NO. 3, WATER	61213	6100A	2 - H 7		132461	1380A	1 - N 4	INSULATOR, HEAT-FRONT	56410	5390A	2 - M 4	
HOSE, AIR	13130J	1380A	1 - N 4		132461	1380AA	1 - C 5	INSULATOR, LOWER	39384	3900A	1 - K10	
	13296	1380A	1 - N 4		132471	1380A	1 - N 4	INSULATOR, UPPER	39385	3900A	1 - K10	
	13385	1330AA	1 - F 4		132481	1380AA	1 - C 5	*** J ***				
	13583	1380AA	1 - C 5		132491	1380AA	1 - C 5	JACK	68800A	3700A	3 - J10	
	13584	1380AA	1 - C 5		132531	1380AA	1 - C 5	JET SET, MAIN 1ST	23353	1360A	1 - J 4	
	13587	1380AA	1 - C 5		19904	1910A	1 - N 6	JET SET, MAIN 2ND	23402A	1360A	1 - J 4	
	13707	1380AA	1 - C 5		43640	4340A	1 - F11	JET SET, SLOW	23407	1360A	1 - J 4	
	137171	1371A	1 - L 4		43640	4340AA	1 - G11	JET, AIR BLEED	234921	1360A	2 - K 4	
	137171	1371AA	1 - M 4		43640	4340AA	1 - G11	JET, AIR BLEED 1ST	234241	1360A	2 - K 4	
	137181	1371AA	1 - M 4		43836	4340AA	1 - G11	JET, AIR BLEED 2ND	234331	1360A	2 - K 4	
	137181	1371A	1 - L 4		43836	4340A	1 - F11	JET, COASTING	23416	1360A	2 - K 4	
	137251	1371A	1 - L 4	HOSE, VENT	42316	4200A	1 - D11	JET, SLOW AIR BLEED	23409A	1360A	1 - J 4	
	13755A	1380A	1 - N 4		42571	4200A	1 - D11		23434B	1360A	2 - K 4	
	13756	1380A	1 - N 4		42588	4200A	1 - D11	JET, STEP	23397	1360A	1 - J 4	
	137751	1380AA	2 - D 5	HOSE, VENTILATION	137851	1320A	1 - M 3	JOINT	32510D	3240A	1 - D10	
	20950J	1380A	1 - N 4		137851	1320AA	1 - C 4		43642	4360AA	1 - I11	
	40728	4000A	2 - M10	HOSE, WATER	15185	1500AA	1 - I 5		58314A	5830A	2 - J 6	
	D2P04	1320AA	2 - D 4		15185	1500A	1 - H 5	JOINT, HOSE	67502B	6720A	2 - J10	
	D2P04	1320A	1 - M 3		15186	1500AA	1 - I 5	JOINT, MOULDING UPPER	50604	5030A	2 - G 3	
	D2P08	1320AA	2 - D 4		15186	1500A	1 - H 5	JOINT, PIPE	104171	1030A	1 - D 3	
	D2P08	1320A	1 - M 3		15351	1500AA	1 - I 5	JOINT, STEERING	32850	3210A	1 - N 9	
	D8P07	1380AA	2 - D 5		15351	1500A	1 - H 5	JOINT, UNION	10600J	1040A	1 - E 3	
	D8P04	1380A	1 - N 4	HOSE, WATER INLET	132081	1320AA	1 - C 4	*** K ***				
	D8P06	1380A	1 - N 4	HOSE, WATER OUTLET	132091	1320AA	1 - C 4	KEY	115121	1100A	1 - G 3	
	D8P08	1380AA	2 - D 5	HOSE, WATER-COOLER	151871	1500A	1 - H 5		141191	1400AA	1 - F 5	
	D8P08	1380A	1 - N 4		151881	1500A	1 - H 5		141191	1400A	1 - E 5	
HOSE, BREATHER	42581	4200A	1 - D11	HOUSING, CONVERTER	19211	1910A	1 - N 6	KEY SET	09010	0900A	2 - C 3	
HOSE, DEFROSTER	61251	5580A	2 - M 5	HOUSING, EXTENSION	17330	1700A	1 - M 5	KEY SUB SET (L), DOOR	75920	0900A	2 - C 3	
HOSE, DISCHARGE		6130B	2 - N 7	HOUSING, FRONT	19710	1920A	1 - C 7	KEY SUB SET (R), DOOR	75910	0900A	2 - C 3	
HOSE, DRAIN		6150B	2 - J 8			102001	1040A	1 - E 3	KEY SUB SET, BACK DOOR	75960	0900A	2 - C 3
		6152B	2 - K 8	HOUSING, GEAR	32120	3210A	1 - N 9	KEY SUB SET, GLOVE	75950	0900A	2 - C 3	
	74030K	6330A	2 - C 9	HOUSING, INTERMEDIATE	104001	1030A	1 - D 3	KEY SUB SET, STORAGE	76190	0900A	2 - C 3	
HOSE, DRAIN-REAR	53980D	5340A	2 - J 4	HOUSING, REAR		6145B	2 - H 8	KEY SUB SET, STRG. LOCK	75990	0900A	2 - C 3	
HOSE, FILLER	42221	4200A	1 - D11		103001	1040A	1 - E 3	KEY, BLANK	75158	0900A	2 - C 3	
HOSE, FLEXIBLE	41380	4140A	1 - N10	HOUSING, ROTOR	10100A	1030A	1 - D 3	KEY, FIYWHEEL	117051	1100A	1 - G 3	
	43980	4360A	1 - H11	HUB, CLUTCH		1710A	1 - C 6	KEY, PRIMARY	58492	0900A	2 - C 3	
	43980	4360AA	1 - I11		17261	1710A	1 - C 6	KEY, SYNCHRONIZER	17243	1710A	1 - C 6	
HOSE, FUEL	13270J	1320A	1 - M 3	HUB, OVERDRIVE CLUTCH	21531	1930A	2 - F 7	KNOB	51937	5103A	2 - K 3	
	13272	1320AA	1 - C 4	HUB, REAR CLUTCH	19530	1930A	1 - E 7		61155B	6100A	2 - H 7	
	13296A	1320AA	1 - C 4		19531	1930A	1 - E 7		61196	6100A	2 - H 7	
	45123	4500A	1 - L11	*** I ***				KNOB (L), KNUCKLE	88081B	5700A	3 - E 6	
	45125	4500A	1 - L11	IGNITER SET	24910A	1820A	1 - I 6	KNOB (R), KNUCKLE	88081A	5700A	3 - E 6	
	45126	4500A	1 - L11	INDICATOR	64340A	5570A	2 - K 5	KNOB SET, EQUALIZER	66906C	6680A	2 - C10	
	45612	4500A	1 - L11	INDICATOR, LEVEL	43540	4340AA	1 - G11	KNOB SET, ETR-CONTAINS ALL KNOBS FOR				
	45613	4500A	1 - L11		43540	4340A	1 - F11	RADIO	66907A	6680A	2 - C10	
HOSE, FUEL MAIN	13421	1320AA	1 - C 4	INJECTOR, FUEL	13250A	1320AA	1 - C 4	KNOB SET, MTR CONTAINS ALL KNOBS				
	13421	1320A	1 - M 3	INSERT, RUBBER	132521	1320AA	1 - C 4	FOR RADIO	66905C	6680A	2 - C10	
	45127	4500A	1 - L11	INSULATION	72852B	5830A	2 - K 6	KNOB, CHANGE LEVER	17520	1720A	1 - G 6	
HOSE, FUEL RETURN	13422	1320AA	1 - C 4	INSULATOR	13315	1320A	1 - M 3		46030	4600A	1 - N11	
	13422	1320A	1 - M 3		13315	1320AA	1 - C 4	KNOB, CHOKE	60053	5500A	2 - D 5	
	45611J	4500A	1 - L11		23616A	1330AA	1 - F 4	KNOB, DOOR LOCK	58691	5830A	2 - K 6	
HOSE, HOT AIR	13344	1330A	1 - E 4		40401	4000A	1 - L10	KNOB, EQUALIZER 'BAND'	66907B	6680A	2 - C10	
HOSE, LIQUID		6130B	2 - N 7		40405	4000A	1 - L10	KNOB, LARGE	66912	6680A	2 - C10	
		6132B	2 - C 8		56981A	5390A	2 - M 4	KNOB, LUMBAR SUPPORT	88140A	5700A	4 - F 6	
HOSE, LIQUID 18 INCH		6100A	2 - H 7		56991D	5390A	2 - M 4	KNOB, PLAYER	66908	6680A	2 - C10	
HOSE, NO. 1, WATER	61211	6100A	2 - H 7		64492	5570A	2 - L 5	KNOB, RETURN SPRING	76197	6115A	2 - J 7	
HOSE, OIL	147201	1500AA	1 - I 5									
	147301	1500AA	1 - I 5									
	19934	1910A	1 - N 6									
HOSE, PRESSURE	32490	3240A	1 - D10									

ALPHABETICAL INDEX

PART NAME	D-CODE	SECTION	LOCATION	PART NAME	D-CODE	SECTION	LOCATION	PART NAME	D-CODE	SECTION	LOCATION
KNOB, STOP	66903C	6680A	1 2 - C10	LEVER, CONTROL	17461	1720A	1 1 - G 6	MOTOR (L)		5103A	1 2 - K 3
KNOB, TRIPMETER	55472	5540A	1 2 - H 5		76408	6110A	1 2 - I 7	MOTOR (L), WINDOW		5830A	2 2 - K 6
KNOB, VENTILATOR	70362	5580A	1 2 - M 5		76411	6110A	1 2 - I 7	MOTOR (R)	51931	5103A	1 2 - K 3
KNOB, VOLUME	66914	6680A	1 2 - C10		76412	6110A	1 2 - I 7	MOTOR (R), WINDOW	58580	5830A	2 2 - K 6
KNUCKLE (L), RECLINING	88151	5700A	5 2 - G 6		76501	6115A	1 2 - J 7	MOTOR, FAN	76424	6120A	1 2 - K 7
KNUCKLE (R), RECLINING	88101	5700A	3 2 - E 6	LEVER, LIFTER	88076P	5700A	3 2 - E 6		76424A	6120A	1 2 - K 7
L					88141P	5700A	5 2 - G 6	MOTOR, WIPER	67350	6730A	1 2 - K10
LABEL, BATTERY	69064	6930A	1 2 - N11	LEVER, PARKING BRAKE	44010	4400A	1 1 - J11	MOULDING (L), DRIP	50451	5040A	1 2 - H 3
LABEL, CAUTION-MVSS	69034A	6930A	1 2 - N11	LEVER, SELECT	19031	1950A	1 1 - H 7	MOULDING (L), GLASS	63980	6300A	1 2 - M 8
LABEL, EMISSION	69041	6930A	1 2 - N11		46010	4600A	1 1 - N11	MOULDING (R), DRIP	50441	5040A	1 2 - H 3
LABEL, EMISSION DECAL	69047	6930A	1 2 - N11	LID (L), LAMP		5103A	1 2 - K 3	MOULDING (R), GLASS	63970	6300A	1 2 - M 8
LABEL, GASOLINE	69038A	6930A	1 2 - N11	LID (R), LAMP	51421	5103A	1 2 - K 3	MOULDING SET (L), SIDE FRONT	50504S	5030A	1 2 - G 3
LABEL, INDICATOR	60222C	5500A	2 2 - D 5	LID, CONSOLE	64450	5570A	2 2 - L 5	MOULDING SET (L), UPPER FRONT	50502S	5030A	1 2 - G 3
LABEL, OIL	69013	6930A	1 2 - N11	LID, FUEL FILLER	42410	4200A	1 1 - D11	MOULDING SET (R), SIDE FRONT	50503S	5030A	1 2 - G 3
LABEL, TEMPORARY TIRE	69014A	6930A	1 2 - N11	LID, GLOVE POCKET	64030	5560A	1 2 - J 5	MOULDING SET (R), UPPER FRONT	50501S	5030A	1 2 - G 3
LABEL, TIRE	69014	6930A	1 2 - N11	LID, STORAGE BOX	69780A	6900A	3 2 - M11	MOULDING SET, LOWER FRONT	50505T	5030A	1 2 - G 3
LABEL, VAC. DIPHRAGM	69044A	6930A	1 2 - N11	LIGHTER, CIGAR	66250	6610A	1 2 - F 9	MOULDING, REAR WINDOW	63935	6300A	1 2 - M 8
LAMP SET (L) SIDE TURN	51120T	5105A	1 2 - L 3	LINK	28200A	2800A	1 1 - K 9	MOUNTING, COMPRESSOR		6140B	2 2 - E 8
	51550T	5120A	1 2 - N 3	LINK (L), WATT	28170A	2800A	1 1 - K 9	MTR	66870E	6680A	1 2 - C10
LAMP SET (L), FRONT COMB.	51060T	5105A	1 2 - L 3	LINK (R), WATT	28160A	2800A	1 1 - K 9	***N***			
LAMP SET (L), HEAD	51030T	5100A	1 2 - J 3	LINK, FUSIBLE	18055	6701A	1 2 - F10	NAME, SIDE	51721	5170A	1 2 - D 4
LAMP SET (L), REAR COMB.	51150T	5110A	1 2 - M 3		67099	6700A	1 2 - E10	NIPPLE	32613	3240A	1 1 - D10
LAMP SET (R) SIDE TURN	51120S	5105A	1 2 - L 3		67099A	6700A	1 2 - E10	NOZZLE (L), DEFROSTER	60140	5580A	1 2 - M 5
	51550S	5120A	1 2 - N 3		67099B	6700A	1 2 - E10	NOZZLE (L), WASHER-FRONT	67510	6720A	1 2 - J10
LAMP SET (R), FRONT COMB.	51060S	5105A	1 2 - L 3	LINK, LOWER	28300B	2800A	1 1 - K 9	NOZZLE (R), DEFROSTER	60120	5580A	1 2 - M 5
LAMP SET (R), HEAD	51030S	5100A	1 2 - J 3	LINK, WIPER	76601	6730A	1 2 - K10	NOZZLE (R), WASHER-FRONT	67510E	6720A	1 2 - J10
LAMP SET (R), REAR COMB.	51150S	5110A	1 2 - M 3	LINK, CENTER	32261	3230A	1 1 - C10	NOZZLE SET, ACCEL.	234901	1360A	2 1 - K 4
LAMP SET, LICENSE	51270S	5120A	1 2 - N 3	LOCK (L), DOOR		5830A	1 2 - J 6	NOZZLE, WASHER-RR. WINDOW	67490A	6750A	1 2 - M10
LAMP, CARGO ROOM	51440A	5125A	1 2 - C 4	LOCK (R), DOOR	58310	5830A	1 2 - J 6	NUT		6140B	2 2 - E 8
LAMP, SPOT	51355A	6900A	1 2 - K11	LOCK, BACK DOOR	62310	6230A	1 2 - L 8		13461	1310A	1 1 - K 3
LATCH, ROTARY	62881	6330A	1 2 - C 9	LOCK, HOOD	56620	5230A	1 2 - F 4		13461	1310AA-1	1 1 - L 3
LENS	51441	5125A	1 2 - C 4	LOCKWASHER, 1/2, ZINC		6142B	1 2 - F 8		19389	1920A	1 1 - C 7
	55172	5500A	1 2 - C 5	LOCKWASHER, 10MM		6132B	1 2 - C 8		25125	2500A	1 1 - C 9
	55174	5500A	1 2 - C 5	LOCKWASHER, 10MM, ZINC		6142B	1 2 - F 8		32621	3240A	1 1 - D10
	55218A	5500A	1 2 - C 5	LOCKWASHER, 5/16, ZINC		6142B	1 2 - F 8		33042	3300A	1 1 - E10
LENS (L), FRONT COMB.		5105A	1 2 - L 3	LOUVER	64850	5500A	3 2 - E 5		34222	3410A	1 1 - G10
LENS (L), REAR COMB.		5110A	1 2 - M 3	LOUVER (L)	64815G	5580A	1 2 - M 5		40355A	4000A	1 1 - L10
LENS (L), SIDE TURN		5105A	1 2 - L 3	LOUVER (R)	64815	5580A	1 2 - M 5		46061	4600A	1 1 - N11
		5120A	1 2 - N 3	LOUVER, CENTER PANEL	55220B	5500A	1 2 - C 5		60052A	5500A	2 2 - D 5
LENS (R), FRONT COMB.	51063	5105A	1 2 - L 3	***M***					62635A	6750A	1 2 - M10
LENS (R), REAR COMB.	51161	5110A	1 2 - M 3	MANIFOLD, EXHAUST	13450	1310AA-1	1 1 - L 3		66372B	6750A	1 2 - M10
LENS (R), SIDE TURN	51122	5105A	1 2 - L 3		13450	1310A	1 1 - K 3		87134	6730A	1 2 - K10
	51552A	5120A	1 2 - N 3	MANIFOLD, INTAKE	13100	1300AA-1	1 1 - J 3		87134A	6750A	1 2 - M10
LENS, COLUMN COVER	60246	5500A	2 2 - D 5		13100	1300A	1 1 - I 3	NUT SET	24511	1630A	1 1 - J 6
LENS, CONTROL KNOB	76507E	6115A	1 2 - J 7	MARK, REAR	51771A	5170A	1 2 - D 4		24533	1830A	1 1 - J 6
LENS, INTERIOR MIRROR	69223	6900A	2 2 - L11	MAT, FRONT FLOOR	68674	6860A	1 2 - I11	NUT, 10-32 HH KEPS BZ		6152B	1 2 - K 8
LENS, LICENSE LAMP	51273	5120A	1 2 - N 3	MAT, REAR FLOOR	68677A	6860A	1 2 - I11	NUT, 10MM X 1.25, HEX		6132B	1 2 - C 8
LENS, SMOKE	55443B	5540A	1 2 - H 5	MAT, TRUNK ROOM	68695	6860A	1 2 - I11	NUT, 10MM X 1.25, ZINC		6142B	1 2 - F 8
LENS, STORAGE BOX	64245A	6900A	1 2 - K11	MEMBER NO. 3, CROSS	53900	5370A	1 2 - L 4	NUT, 12MM X 1.50, ZINC		6142B	1 2 - F 8
LENS, WARNING	55447C	5540A	1 2 - H 5	MEMBER NO. 4, CROSS	53940	5370A	1 2 - L 4	NUT, 6 X 1.0 HFHSK Z2		6152B	1 2 - K 8
LEVER	24730	1840A	1 1 - K 6	MEMBER NO. 5, CROSS	53960	5370A	1 2 - L 4	NUT, 6MM FLANGE, ZINC		6132B	1 2 - C 8
	46150	4600A	1 1 - N11	MEMBER, CROSS	34800	3410A	1 1 - G10	NUT, CAP	13742B	1330AA-1	1 1 - F 4
LEVER (L), LINK		5103A	1 2 - K 3		53162	5370A	1 2 - L 4		76603	6730A	1 2 - K10
LEVER (L), OPERATING		2610A	1 1 - E 9	MEMBER, T/MISSION MTG.	39380	3900A	1 1 - K10	NUT, CLIP	50825	5310A	1 2 - G 4
LEVER (L), PAWL	26819	2610A	1 1 - E 9	METER, AIR FLOW	13210A	1330AA-1	1 1 - F 4		50825C	5000A	1 2 - D 3
LEVER (R), LINK	51935	5103A	1 2 - K 3	MIRROR (L), DOOR	69110Y	6900A	1 2 - K11	NUT, CLIP-FRT. FENDER	52841	5320A	1 2 - H 4
LEVER (R), OPERATING	26800	2610A	1 1 - E 9	MIRROR (L), REAR VIEW	69130	6900A	2 2 - L11	NUT, CLIP-PROTECTOR	50825A	5390A	1 2 - M 4
LEVER (R), PAWL	26808	2610A	1 1 - E 9	MIRROR (R), DOOR	69110A	6900A	1 2 - K11	NUT, CROSS MEMBER	39349A	3410A	1 1 - G10
LEVER CONTROL	76506	6115A	1 2 - J 7	MIRROR (R), REAR VIEW	69110	6900A	1 2 - K11	NUT, DAMPER	62635	6230A	1 2 - L 8
LEVER NO. 1, CONTROL	76407	6110A	1 2 - I 7	MIRROR, INTERIOR	69170	6900A	2 2 - L11	NUT, EXPANSION	64996	5560A	1 2 - J 5
LEVER NO. 2, CONTROL	76409	6110A	1 2 - I 7	MOTOR	13083	1350A	1 1 - G 4	NUT, FLANGE	40355	4000A	1 1 - L10
LEVER SET, FRONT	234201	1360A	2 1 - K 4	MOTOR & LINK (L)	67450A	6750A	1 2 - M10	NUT, HEATER CONTROL	61209A	6100A	1 2 - H 7
LEVER SET, REAR	234301	1360A	2 1 - K 4	MOTOR & LINK (R)	51930A	5103A	1 2 - K 3	NUT, HEX		6140B	2 2 - E 8
LEVER, CHANGE	17510	1720A	1 1 - G 6			5103A	1 2 - K 3			6140B	2 2 - E 8

ALPHABETICAL INDEX

PART NAME	D-CODE	SECTION	LOCATION	PART NAME	D-CODE	SECTION	LOCATION	PART NAME	D-CODE	SECTION	LOCATION	
NUT, HEXAGON	234521	1360A	2 1-K 4	PAD (R), FLOOR-FRONT	68652A	6860A	1 2-111	PEDAL, CLUTCH	41030	4300A	1 1-E11	
NUT, HUB	26161A	3700A	1 1-H10	PAD SET, FRONT CALIFER	49280B	3300A	1 1-E10	PELLET, THERMO	148101	1500AA	1 1-I 5	
NUT, LOCK	117111	1100A	1 1-G 3	PAD SUB SET, REAR	49280A	2610AA	1 1-F 9	PICK-UP SET	24314A	1820A	1 1-I 6	
	17524	1720A	1 1-G 6	PAD, CHOKE WIRE	56942B	5500A	2 2-D 5	PIECE, DISTANCE	27171	2700A	1 1-G 9	
	17629	1710A	3 1-E 6	PAD, CRUSH	60350	5560A	1 2-J 5		27171	2700AA	1 1-I 9	
	27030	2700AA	1 1-I 9	PAD, FOOT REST	86202	4300A	1 1-E11	PIECE, SIDE	113021	1110A	1 1-H 3	
	27030	2700A	1 1-G 9	PAD, FUEL TANK	42523	4200A	1 1-D11	PILLAR (L), FRT.-INNER	71260	5340A	1 2-J 4	
NUT, LOCK PLATE	76626	6750A	1 2-M10	PAD, PEDAL	43028	4300A	1 1-E11	PILLAR (L), HINGE	71210A	5340A	1 2-J 4	
NUT, LOCK-COUNTER SHAFT BRG.	17309B	1710A	2 1-D 6	PAD, PROTECTOR	67059C	5800A	1 2-I 6	PILLAR (L), HINGE-OUT	74120	5340A	1 2-J 4	
NUT, SHAFT	19443	1950A	1 1-H 7	PAD, STORAGE BOX	68658A	6860A	1 2-111	PILLAR (R), FRT.-INNER	70260	5340A	1 2-J 4	
NUT, SHOCK ABSORBER	34222G	5010A	1 2-F 3	PAD, TRUNK	68665C	6860A	1 2-111	PILLAR (R), HINGE	70210A	5340A	1 2-J 4	
NUT, SPEED	69049D	6300A	1 2-M 8	PAD, TRUNK SIDE	68667D	6860A	1 2-111	PILLAR (R), HINGE-OUT	74090	5340A	1 2-J 4	
NUT, SPEED-STEERING LOCK	66158	0900A	1 2-C 3	PAN, FLOOR-FRONT	53600	5370A	1 2-L 4	PIN	27262	2700A	1 1-G 9	
NUT, SPRING	56905A	5560A	1 2-J 5	PAN, FLOOR-REAR	53700	5370A	1 2-L 4		33698A	3300A	1 1-E10	
	56905C	5500A	2 2-D 5	PAN, OIL	10400	1040A	1 1-E 3		44054	4400A	1 1-J11	
NUT, STOPPER	148221	1500AA	1 1-I 5		19836	1920A	2 1-D 7		46683A	4300A	1 1-E11	
NUT, STRIKER	62365	6230A	1 2-L 8	PANEL (L), COWL SIDE	71020	5340A	1 2-J 4		46785A	4300A	1 1-E11	
NUT, TENSION ROD	34133A	3410A	1 1-G10	PANEL (L), FENDER-FRT.	52210	5320A	1 2-H 4	PIN & WASHER SET	13717A	1360A	1 1-J 4	
				PANEL (L), FENDER-REAR	74130	5340A	1 2-J 4	PIN (L)		2610A	1 1-E 9	
	O			PANEL (L), LWR.-NO. 1	55321A	5500A	1 2-C 5	PIN (R)		26832	2610A	1 1-E 9
O-RING		6132B	1 2-C 8	PANEL (L), LWR.-NO. 2	55331C	5500A	1 2-C 5	PIN, BRAKE SHOE	26391	2610A	1 1-E 9	
		6142B	1 2-F 8	PANEL (L), LWR.-NO. 3	55341B	5500A	1 2-C 5	PIN, COTTER	13717	1360A	1 1-J 4	
		6152B	1 2-K 8	PANEL (L), OUT.-FRT. DOOR		5800A	1 2-I 6	PIN, DAMPER	62621	6230A	1 2-L 8	
	101731	1030A	1 1-D 3	PANEL (L), QUARTER	71100	5340A	1 2-J 4	PIN, DOWEL	10203A	1040A	1 1-E 3	
	101741	1040A	1 1-E 3	PANEL (L), SIDE	55404	5500A	2 2-D 5	PIN, DRIVEN GEAR	146231	1400A	1 1-E 5	
	105551	1030A	1 1-D 3		56380	5310A	1 2-G 4		146231	1400AA	1 1-F 5	
	13100J	1300A	1 1-I 3	PANEL (L), SIDE SEAL	54950	5370A	1 2-L 4	PIN, GUDE	33694	3300A	1 1-E10	
	13253	1320AA	1 1-C 4	PANEL (L), SIDE SILL	71270	5340A	1 2-J 4	PIN, GUIDE	26695	2610AA	1 1-F 9	
	13265	1320AA	1 1-C 4	PANEL (L), WHEEL APRON	54210	5320A	1 2-H 4		46022B	4600A	1 1-N11	
	13282A	1320AA	1 1-C 4	PANEL (R), COWL SIDE	70020	5340A	1 2-J 4	PIN, INTER LOCK	17351A	1720A	1 1-G 6	
	14300J	1400AA	1 1-F 5	PANEL (R), FENDER-FRT.	52110	5320A	1 2-H 4	PIN, PIVOT	16102	1600A	1 1-L 5	
	14300J	1400A	1 1-E 5	PANEL (R), FENDER-REAR	74100	5340A	1 2-J 4	PIN, SPRING	106091	1040A	1 1-E 3	
	146041	1400AA	1 1-F 5	PANEL (R), LOWER	55311C	5500A	1 2-C 5	PIN, TOP INDICATOR	10503	1040A	1 1-E 3	
	17442J	1700A	1 1-M 5	PANEL (R), OUT.-FRT. DOOR	58020	5800A	1 2-I 6	PIN, TUBULAR	103091	1040A	1 1-E 3	
	18201	1800A	1 1-H 6	PANEL (R), QUARTER	70100	5340A	1 2-J 4	PINION	24709	1840A	1 1-K 6	
	19395	1920A	1 1-C 7	PANEL (R), SIDE	55403	5500A	2 2-D 5	PINION, DIFFERENTIAL	27255	2700A	1 1-G 9	
	19432	1950A	1 1-H 7		56370A	5310A	1 2-G 4		27255	2700AA	1 1-I 9	
	19442J	1920A	1 1-C 7	PANEL (R), SIDE SILL	53950	5370A	1 2-L 4	PIPE	13945Q	6640A	1 2-N 9	
	19446	1950A	1 1-H 7		70270	5340A	1 2-J 4		18107	1800A	1 1-H 6	
	19870J	1920A	2 1-D 7	PANEL (R), WHEEL APRON	53210	5320A	1 2-H 4		40070	4000A	1 1-L10	
	21212	1920A	2 1-D 7	PANEL NO. 1, DECO.	55213C	5500A	1 2-C 5		66945	6682A	1 2-D10	
	21277	1920A	2 1-D 7	PANEL NO. 2, DECO.	55214B	5500A	1 2-C 5		76416B	6110A	1 2-I 7	
	21292	6600A	2 2-E 9	PANEL, CENTER	55220	5500A	1 2-C 5	PIPE (L), BRAKE-FRONT	45320	4360AA	1 1-111	
	21294	6600A	2 2-E 9	PANEL, COWL	74040	5330A	1 2-I 4		45320	4360A	1 1-H11	
	21295	6600A	2 2-E 9	PANEL, COWLING UP	56391A	5330A	1 2-I 4	PIPE (L), BRAKE-REAR	43650A	4360A	1 1-H11	
	21395	1920A	2 1-D 7	PANEL, DASH-LOWER	53400	5330A	1 2-I 4		43650A	4360AA	1 1-111	
	21677	1910A	1 1-N 6	PANEL, DASH-UPPER	53510	5330A	1 2-I 4	PIPE (R), BRAKE-FRONT	45280	4360A	1 1-H11	
	34731	3400A	1 1-F10	PANEL, NOSE	52810	5310A	1 2-G 4		45280	4360A	1 1-H11	
O-RING #4, CAP SEAL		6152B	1 2-K 8	PANEL, RAD. SHROUD	53100	5310A	1 2-G 4	PIPE (R), BRAKE-REAR	43660A	4360A	1 1-H11	
O-RING SET	230401	1000A	1 1-C 3	PANEL, REAR END	70750	5340A	1 2-J 4		43660A	4360AA	1 1-111	
O-RING, INNER	113411	1110A	1 1-H 3	PANEL, ROOF	74030	5360A	1 2-K 4	PIPE SET, VACUUM	23509	1360A	2 1-K 4	
O-RING, OUTER	113431	1110A	1 1-H 3	PANEL, SKIRT-RR.	70791A	5340A	1 2-J 4	PIPE, AIR	13705	1380AA	1 1-C 5	
O-RING, SAE 114 (DISCH)		6142B	1 2-F 8	PANEL, SWITCH	64345	5570A	1 2-K 5		40720	4000A	2 1-M10	
O-RING, SAE 116 (SUCTION)		6142B	1 2-F 8	PARTS KIT, BRAKE MAST	49610	4340AA	1 1-G11		40720B	4000A	2 1-M10	
OIL FILTER PLUG		6142B	1 2-F 8	PARTS KIT, BRAKE MASTER	49610	4340A	1 1-F11	PIPE, AIR INTAKE	23615	1330A	1 1-E 4	
OPENER, FILLER LID	42480	4200A	1 1-D11	PARTS KIT, INNER	49460	4140A	1 1-N10		45250	4360AA	1 1-111	
OPENER, REMOTE CONTROL	62315	6230A	1 2-L 8		49520	4140A	1 1-N10	PIPE, BRAKE-FRONT	45250	4360A	1 1-H11	
ORNAMENT, FRONT	51771	5170A	1 2-D 4		49640D	4340AA	1 1-G11		45250	4360A	1 1-H11	
ORNAMENT, REAR	51781	5170A	1 2-D 4		49640D	4340A	1 1-F11	PIPE, BRAKE-REAR	45350	4360A	1 1-H11	
OSCILLATOR	67690B	6630A	1 2-L 9	PARTS SET	76619	6740A	1 2-L10		45350	360AA	1 1-111	
					76619A	6760A	1 2-N10		45360A	4360AA	1 1-111	
	p			PASS, OIL	17540	1700A	1 1-M 5	PIPE, BREATHER	42390B	4200A	1 1-D11	
PACKING	68951C	5180A	1 2-F 4	PAWL, PARKING	19732	1950A	1 1-H 7	PIPE CLUTCH	45510	4140A	1 1-N10	
PAD (C), FLOOR-FRONT	68651	6860A	1 2-111	PEDAL & ARM	41610B	4160A	1 1-C11	PIPE DELIVERY	132311	1320AA	1 1-C 4	
PAD (C) FLOOR-REAR	68654	6860A	1 2-111	PEDAL, ACCELERATOR	41710	4160A	1 1-C11	PIPE, EVAPORATION	45711	4500A	1 1-L11	
				PEDAL, BRAKE	43030	4300A	1 1-E11					

ALPHABETICAL INDEX

PART NAME	D-CODE	SECTION	LOCATION	PART NAME	D-CODE	SECTION	LOCATION	PART NAME	D-CODE	SECTION	LOCATION
PIPE, EVAPORATION	45712	4500A-1	1-L11	PLATE, ADJUST	34013	3400A-1	1-F10	PLUG, MAIN JET	26051	2600A-1	1-D9
PIPE, FILLER	42210	4200A-1	1-D11	PLATE, CAUTION	69021A	6930A-1	2-N11	PLUG, OIL	23354A	1360A-1	1-J4
PIPE, FUEL	132351	1320AA-1	1-C4	PLATE, CEILING-FRT.	68051	6800A-1	2-C11	PLUG, OIL JET	32190	3210A-1	1-N9
	42180	4200A-1	1-D11	PLATE, DISC	26251B	2610AA-1	1-F9	PLUG, OIL LEVEL	114111	1100A-1	1-G3
PIPE, FUEL MAIN	45111	4500A-1	1-L11	PLATE, DISHED	19498	1930A-1	1-E7	PLUG, SERVICE COVER	26041	2600A-1	1-D9
	45112	4500A-1	1-L11	PLATE, DRIVE	19020	1910A-1	1-N6	PLUG, SPARK	58868C	4000A-2	1-M10
PIPE, FUEL RETURN	45611	4500A-1	1-L11		19500	1930A-1	1-E7	PLUG, SQUARE HEAD	18110	1800A-1	1-H6
PIPE, HEATER	61220	6100A-1	2-H7		19610	1940A-1	1-G7	PLUNGER, CONTROL	19331	1920A-1	1-C7
PIPE, HOT AIR DUCT	133751	1310A-1	1-K3	PLATE, DRIVEN	19499	1930A-1	1-E7		14115	1400A-1	1-E5
PIPE, INLET-RESO. CHAM	131178	1300AA-1	1-J3		19609	1940A-1	1-G7		14115	1400AA-1	1-F5
PIPE, OIL	19920	1910A-1	1-N6	PLATE, FRICTION	27258	2700AA-1	1-I9		142751	1040A-2	1-F3
	19930	1910A-1	1-N6	PLATE, GASKET	64729	5580A-1	2-M5	POCKET (L), DOOR TRIM		5840A-3	2-E7
PIPE, OIL COOLER	147402	1400A-1	1-E5	PLATE, HANGER	40180B	4000A-1	1-L10	POCKET (R), DOOR TRIM	68433	5840A-3	2-E7
PIPE, OIL FILLER	10410	1030A-1	1-D3	PLATE, HEATER UNIT	76511	6110A-1	2-I7	POLE, ANTENNA	66941	6682A-1	2-D10
PIPE, PEDAL	43061A	4300A-1	1-E11	PLATE, HOLDER-BRUSH	76612A	6760A-1	2-N10	PROTECTOR	107351	6600A-1	2-D9
PIPE, PRE AIR	40750A	4000A-2	1-M10	PLATE, HUB/DISC	33251B	3300A-1	1-E10		14746	1400A-1	1-E5
PIPE, PRESSURE	32520B	3240A-1	1-D10	PLATE, LOCATING	13186A	1300AA-1	1-J3		40814A	4000A-2	1-M10
PIPE, RETURN	32480	3240A-1	1-D10	PLATE, LOCK	27302	2700AA-1	1-I9		40841C	4000A-2	1-M10
PIPE, RETURN (NO. 1)	32530B	3240A-1	1-D10		27302	2700A-1	1-G9		41692B	6720A-1	2-J10
PIPE, RETURN (NO. 2)	32540A	3240A-1	1-D10		42376	4200A-1	1-D11		50012A	5000A-1	2-D3
PIPE, RETURN (NO. 3)	32550B	3240A-1	1-D10		69762	6900A-3	2-M11		50013	5010A-1	2-F3
PIPE, SCREEN WASHER	67500C	6720A-1	2-J10	PLATE, MANUAL	19440	1950A-1	1-H7		50014	5000A-1	2-D3
	67511J	6720A-1	2-J10	PLATE, MAT SET	68696	6860A-1	2-I11		50014A	5010A-1	2-F3
PIPE, VACUUM	13650	1380A-1	1-N4	PLATE, MIDDLE	141181	1400A-1	1-E5		50016	5000A-1	2-D3
	13650	1380AA-1	1-C5		141181	1400AA-1	1-F5		50608C	5030A-1	2-G3
	19910	1910A-1	1-N6	PLATE, PRESSURE		6140B-2	2-E8		51051B	6682A-1	2-D10
	43830	4340AA-1	1-G11	PLATE, PRINT	55442A	5540A-1	2-H5		51403	5103A-1	2-K3
	43840C	4340A-1	1-F11	PLATE, RETAINER	19667	1940A-1	1-G7		51966	5180A-1	2-E4
	43840C	4340AA-1	1-G11		55214	5500A-1	2-C5		60721	6610A-1	2-F9
PIPE, VACUUM	43830	4340A-1	1-F11		55313	5500A-1	2-C5		66312A	6640A-1	2-N9
PIPE, VINYL	74030J	6330A-1	2-C9	PLATE, RETAINING	19503	1930A-1	1-E7		57056	6704A-1	2-I10
PISTON	26660	2610AA-1	1-F9		19503A	1930A-1	1-E7		67058	6704A-1	2-I10
	33651	3300A-1	1-E10		19506	1930A-1	1-E7		67059A	6704A-1	2-I10
PISTON, ACCUMULATOR	21271	1920A-2	1-D7		19613	1940A-1	1-G7	PROTECTOR 'A' (L), SIDE	50697D	5060A-1	2-I3
PISTON, BAND SERVO	19381	1920A-1	1-C7		19702	1950A-1	1-H7	PROTECTOR 'A' (R), SIDE	50692D	5060A-1	2-I3
	19381A	1920A-1	1-C7	PLATE, SET	32421	3210A-1	1-N9	PROTECTOR 'B' (L), SIDE	50686D	5060A-1	2-I3
PISTON, CLUTCH	19480	1930A-1	1-E7	PLATE, SET-FENDER	52151	5320A-1	2-H4	PROTECTOR 'B' (R), SIDE	50681D	5060A-1	2-I3
PISTON, LOW & REVERSE	19601	1940A-1	1-G7	PLATE, STABILIZER	34155	3410A-1	1-G10	PROTECTOR 'C' (L), SIDE	50682B	5060A-1	2-I3
PLATE	115011	1100A-1	1-G3	PLATE, THRUST	115041	1100A-1	1-G3	PROTECTOR 'C' (R), SIDE	50682A	5060A-1	2-I3
	32410	3210A-1	1-N9	PLATE, UPPER	64340	5570A-1	2-K5	PROTECTOR 'D' (L), SIDE	50688D	5060A-1	2-I3
	40170	4000A-1	1-L10	PLATE, WATER BAFFLE	15125	1500AA-1	1-I5	PROTECTOR 'D' (R), SIDE	50683D	5060A-1	2-I3
	43090	4300A-1	1-E11		15125	1500A-1	1-H5	PROTECTOR 'E' (L), SIDE	50689D	5060A-1	2-I3
	51356A	6900A-1	2-K11	PLATE, WINDOW	75011A	5540A-1	2-H5	PROTECTOR 'E' (R), SIDE	50684D	5060A-1	2-I3
	67562A	6630A-1	2-L9	PLATE, WIRE	76435B	6110A-1	2-I7	PROTECTOR (L), FRONT SIDE	50821D	5030A-1	2-G3
	76421A	6115A-1	2-J7	PLUG	142741	1040A-2	1-F3	PROTECTOR (R), FRONT SIDE	50811D	5030A-1	2-G3
	76434B	6110A-1	2-I7		26288C	2610A-1	1-E9	PROTECTOR NO. 2	40820	4000A-2	1-M10
	76438A	6110A-1	2-I7		61031B	6125B-1	2-L7	PROTECTOR, BRAKE PIPE	43605	4360A-1	1-H11
	76439A	6110A-1	2-I7	PLUG SET	23354	1360A-1	1-J4		43605	1360AA-1	1-I11
PLATE (L), BRAKE BACK		2610A-1	1-E9	PLUG, ACCUMULATOR	21273	1920A-2	1-D7	PROTECTOR, CORD	51516	5105A-1	2-L3
PLATE (L), CLOSING	54270A	5320A-1	2-H4	PLUG, BACK PLATE	26288	2610A-1	1-E9	PROTECTOR, COWL GRILL	50781	5180A-1	2-E4
PLATE (L), FRONT SCUFF		6840A-2	2-G11	PLUG, BLIND	10205A	1040A-1	1-E3	PROTECTOR, FUEL PUMP	45151	4500A-1	1-L11
PLATE (L), GLASS	63970A	6300A-1	2-M8		102061	1040A-1	1-E3	PROTECTOR, FUEL TANK	56970	5390A-1	2-M4
PLATE (L), SEAL	52946	5310A-1	2-G4		102071	1040A-1	1-E3	PROTECTOR, HOSE		6130B-2	2-N7
PLATE (R), BRAKE BACK	26280	2610A-1	1-E9		16241	1600A-1	1-L5	PROTECTOR, OIL HOSE	147161	1500AA-1	1-I5
PLATE (R), CLOSING	53270A	5320A-1	2-H4		23657	1360A-2	1-K4	PROTECTOR, PIPE	45715	4500A-1	1-L11
PLATE (R), FRONT SCUFF	68711	6840A-2	2-G11	PLUG, CORNER SEAL	113221	1110A-1	1-H3	PROTECTOR, REAR COMB	51159A	5110A-1	2-M3
PLATE (R), GLASS	63960A	6300A-1	2-M8	PLUG, DRAIN	10404	1040A-1	1-E3	PROTECTOR, RR FINISHER	50855A	5180A-1	2-E4
PLATE (RR, L), CLOSING	54222	5320A-1	2-H4		42046	4200A-1	1-D11	PROTECTOR, SUNROOF	62815A	6330A-1	2-C9
PLATE (RR, R), CLOSING	53222	5320A-1	2-H4		56241	5390A-1	2-M4	PROTECTOR, TUBE, NO 18 DENSITY		6152B-1	2-K8
PLATE ASSY, FRONT VALVE		6145B-2	2-H8		56241H	6125B-1	2-L7	PROTECTOR, WATER HOSE	13207	1320AA-1	1-C4
PLATE ASSY, REAR VALVE		6145B-2	2-H8		56242	5390A-1	2-M4		15543	1500A-1	1-H5
PLATE LOCK	62883	6330A-1	2-C9		56242L	5500A-2	2-D5	PROTECTOR, WIRE	58558B	6704A-1	2-I10
PLATE MODEL	69011	6930A-1	2-N11		56615	5390A-1	2-M4	PULLEY	15131	1500AA-1	1-I5
PLATE SET	50211A	5010A-1	2-F3		56615L	6704A-1	2-I10		15131	1500A-1	1-H5
PLATE, ABSORBER	133801	1310A-1	1-K3	PLUG, JET	103272	1030A-1	1-D3		24530	1830A-1	1-J6
	133801	1310AA-1	1-L3	PLUG, MAGNET DRAIN	17121	1700A-1	1-M5		32601	3240A-1	1-D10

ALPHABETICAL INDEX

PART NAME	D-CODE	SECTION	LOCATION	PART NAME	D-CODE	SECTION	LOCATION	PART NAME	D-CODE	SECTION	LOCATION
PULLEY, AIR PUMP	237131	1371AA-1	1-M 4	RELAY, CONTROL	18811A	6600A-1	2-D 9	ROD & LINK SET	23480	1360A-2	1-K 4
	237131	1371A-1	1-L 4	RELAY, COOLING FAN	67740F	6630A-1	2-L 9	ROD 'A'	51934	5103A-1	2-K 3
PULLEY, CRANKSHAFT	11371	1100A-1	1-G 3	RELAY, CUT-AIR CONTROL	67740Q	6630A-1	2-L 9	ROD 'B'	51936	5103A-1	2-K 3
PULLEY, IDLE	15940	1580A-1	1-K 5	RELAY, FLASHER	67577	6630A-1	2-L 9	ROD (L), INNER LOCK		5830A-1	2-J 6
PUMP KIT	87993	6720A-1	2-J10	RELAY, FUEL PUMP CUT	67740V	6600A-2	2-E 9	ROD (R), INNER LOCK	58331	5830A-1	2-J 6
PUMP SET, ACCEL.	23360B	1360A-1	1-J 4	RELAY, HORN	66438	6630A-1	2-L 9	ROD, CLUTCH PEDAL	41051	4300A-1	1-E11
PUMP, AIR	13810	1371AA-1	1-M 4	RELAY, LAMP CHECKER	67660	6630A-1	2-L 9	ROD, CONNECTING	146511	1400AA-1	1-F 5
	13810	1371A-1	1-L 4	RELAY, MAIN	18811	6600A-1	2-D 9		146511	1400A-1	1-E 5
PUMP, FUEL	13350	1320AA-1	1-C 4	REPAIR KIT	49720	4340A-1	1-F11	ROD, DIAPHRAGM	19825	1920A-2	1-D 7
	13350	1320A-1	1-M 3		49720	4340AA-1	1-G11	ROD, MOTOR	51933	5103A-1	2-K 3
PUMP, METERING OIL	146001	1400AA-1	1-1	REPAIR KIT, CARBURETOR	23410A	1359A-1	1-14	ROD, PARKING	19450	1950A-1	1-H 7
	146001	1400A-1	1-E 5	RESISTOR	55610	5540A-1	2-H 5	ROD, PUSH	41131	4300A-1	1-E11
PUMP, OIL	14100	1400AA-1	1-F 5		76433	6120A-1	2-K 7	ROD, RELEASE	44032	4400A-1	1-J11
	14100	1400A-1	1-E 5	RESISTOR, VARIABLE	13790B	1320AA-1	1-C 4	ROD, SHIFT	17431	1720A-1	1-G 6
	19220	1910A-1	1-N 6	REST, FOOT	43041	4300A-1	1-E11	ROD, SHIFT (1ST & 2ND)	17410	1720A-1	1-G 6
PUMP, VANE	32600	3240A-1	1-D10	RESTRAINT, HEAD	88104A	5700A-3	2-E 6	ROD, SHIFT (3RD & 4TH)	17420	1720A-1	1-G 6
PUMP, WASHER	76672	6750A-1	2-M10	RETAINER	19704	1950A-1	1-H 7	ROD, TENSION	34131	3410A-1	1-G10
PUMP, WATER	15010	1500AA-1	1-I 5		28776	2800A-1	1-K 9	ROD, TIE	32365	3230A-1	1-C10
	15010	1500A-1	1-H 5		34137	3410A-1	1-G10	ROTOR	23102A	1110A-1	1-H 3
*** R ***					34776B	3410A-1	1-G10		24540	1830A-1	1-J 6
RACE, BEARING	19639	1930A-2	1-F 7	RETAINER, LOCK CYLINDER	58495A	0900A-1	2-C 3		76618	6760A-1	2-N10
RACE, BRG. HUB CLUTCH	21631	1930A-2	1-F 7		62495	0900A-1	2-C 3	ROTOR ASSY		6140B-2	2-E 8
RACE, BRG. PUMP COVER	19631	1930A-2	1-F 7	RETAINER, ROD	41640	4160A-1	1-C11	ROTOR SET, OIL PUMP	238821	1400A-1	1-E 5
RACE, BRG. RR. CLUTCH	19638	1930A-2	1-F 7	RETAINER, SERVO	19391	1920A-1	1-C 7		238821	1400AA-2	1-G 5
RACE, INNER	17275	1710A-1	1-C 6		21391	1920A-2	1-D 7	ROTOR SET, SIGNAL	24316A	1820A-1	1-I 6
	17284	1710A-2	1-D 6	RETAINER, SPRING	19487	1930A-1	1-E 7	ROTOR, DISTRIBUTOR	24312	1820A-1	1-I 6
	19336	1920A-1	1-C 7	RETAINER, STAB.	28776A	2810A-1	1-L 9	ROTOR, FRONT	231021	1110A-1	1-H 3
RACE, OUTER	19593	1940A-1	1-G 7	RING	19676	1940A-1	1-G 7	ROTOR, REAR	231121	1110A-1	1-H 3
RACE, SHELL BEARING	19566	1930A-1	1-E 7	RING SNAP	19534B	1930A-1	1-E 7	RUBBER (L), ENGINE MTG.	39040	3900A-1	1-K10
RADIATOR	15200	1500AA-1	1-I 5	RING, ILLUMINATION	66251	6610A-1	2-F 9		39050	3900A-1	1-K10
	15200	1500A-1	1-H 5	RING, PRESSURE	27265	2700AA-1	1-I 9	RUBBER (R), ENGINE MTG.	39040A	3900A-1	1-K10
RADIO	66900	6680A-1	2-C10	RING, RETAINING	17305A	1710A-2	1-D 6	RUBBER, CUSHION	42459A	5180A-1	2-E 4
RAIL (L), RAIN	71311	5340A-1	2-J 4		17626A	1710A-3	1-E 6		43609	4360AA-1	1-I11
RAIL (L), ROOF-INNER	71050	5340A-1	2-J 4	RING, SEAL	66024	5100A-1	2-J 3		52397	5230A-1	2-F 4
RAIL (L), ROOF-OUTER	71250	5340A-1	2-J 4		19256A	1920A-1	1-C 7		52451A	5103A-1	2-K 3
RAIL (R), RAIN	70311	5340A-1	2-J 4		19257A	1920A-1	1-C 7		53771	5230A-1	2-F 4
RAIL (R), ROOF-INNER	70050	5340A-1	2-J 4	RING, SNAP	19655	1940A-1	1-G 7		62665B	5560A-1	2-J 5
RAIL (R), ROOF-OUTER	70250	5340A-1	2-J 4			6140B-2	2-E 8	RUBBER, DUST SEAL	53134B	6125B-1	2-L 7
RECEIVER		6130B-2	2-N 7			6145B-2	2-H 8	RUBBER, HANGER	40061B	4000A-1	1-L10
RECEIVER-DRIER		6132B-1	2-C 8		141131	1400A-1	1-E 5	RUBBER, INSULATION	15312A	6682A-1	2-D10
RECTIFIER	24510	1830A-1	1-J 6		141131	1400AA-1	1-F 5	RUBBER, MOUNTING	13363N	1380AA-1	1-C 5
REFLECTOR, DOOR	51545	5170A-1	2-D 4		17225	1710A-1	1-C 6		45181A	1320AA-2	1-D 4
REGULATOR	24520	1830A-1	1-J 6		17449	1950A-1	1-H 7	RUBBER, MTG	42133	4500A-1	1-L11
REGULATOR (L), WINDOW		5830A-1	2-J 6		19488	1930A-1	1-E 7		45132	4500A-1	1-L11
REGULATOR (R), WINDOW	58560	5830A-1	2-J 6		19509	1930A-1	1-E 7	RUBBER, PUMP MOUNTING	45130	4500A-1	1-L11
REGULATOR, FUEL PRESSURE	13280	1320AA-1	1-C 4		19534	1930A-1	1-E 7	RUBBER, SEAL	16145	1600A-1	1-L 5
REGULATOR, PRESSURE	142501	1400A-1	1-E 5		19567	1930A-2	1-F 7		42242	4200A-1	1-D11
	142501	1400AA-1	1-F 5		19594	1940A-1	1-G 7		46083	4600A-1	1-N11
REINF. (L), HINGE	63876	6330A-1	2-C 9		19596	1940A-1	1-G 7		56791	5330A-1	2-I 4
REINFORCEMENT	42299	4200A-1	1-D11		19598	1930A-2	1-F 7		56791B	5330A-1	2-I 4
REINFORCEMENT (L), WHL. APRON	54285	5320A-1	2-H 4		19607	1940A-1	1-G 7		66971A	5390A-1	2-M 4
REINFORCEMENT (R), HINGE	62876	6330A-1	2-C 9		19619	1940A-1	1-G 7	RUBBER, SEALING	13188	1300AA-1	1-J 3
REINFORCEMENT (R), WHL. APRON	53285	5320A-1	2-H 4	RING, SQUARE	101711	1030A-1	1-D 3	RUBBER, SET	37192A	3700A-1	1-H10
REINFORCEMENT, BUMPER	50040	5000A-1	2-D 3	RING, SQUARE-OUTER	10172A	1030A-1	1-D 3	RUBBER, STOP	40108	4000A-1	1-L10
	50230	5010A-1	2-F 3	RING, SYNCHRONIZER	17265	1710A-1	1-C 6	RUBBER, STOPPER	43029	4300A-1	1-E11
REINFORCEMENT, CONSOLE	60365B	5570A-1	2-K 5	RING, SYNCHRONIZER	17245	1710A-1	1-C 6		72941E	6630A-1	2-L 9
REINFORCEMENT, GLOVE TRAY	60440	5560A-1	2-J 5	RING, THRUST WASHER	17652	1710A-4	1-F 6	RUBBER, SUPPORT	57318	5830A-1	2-J 6
RELAY		6130B-2	2-N 7	RING, WHEEL	37180	3700A-1	1-H10	RUBBER, T MISSION MTG	39340	3900A-1	1-K10
		6152B-1	2-K 8	RIVET	13356A	1330AA-1	1-F 4	*** S ***			
	51939	5103A-1	2-K 3		67056D	5010A-1	2-F 3	SACK KIT, BOLT		6142B-1	2-F 8
RELAY, 3-POINT	67800	6630A-1	2-L 9		67056F	5310A-1	2-G 4	SACK KIT, EVAPORATOR		6152B-1	2-K 8
RELAY AUTO ANTENNA	67740D	6630A-1	2-L 9	ROD	41341	4140A-1	1-N10	SCHRADER VALVE CAP		6142B-1	2-F 8
RELAY CHOKE & CHECK	67740C	6630A-1	2-L 9		46021	4600A-1	1-N11	SCREW	44187	4400A-1	1-J11
RELAY CIRCUIT OPEN	18821	6600A-1	2-D 9		46571	4600A-1	1-N11		50950C	5180A-1	2-E 4

ALPHABETICAL INDEX

PART NAME	D-CODE	SECTION	LOCATION	PART NAME	D-CODE	SECTION	LOCATION	PART NAME	D-CODE	SECTION	LOCATION
SCREW	62878	6330A -1	2 - C 9		33065	3300A -1	1 - E10	SHEET, CHECK VALVE	23338A	1360A -1	1 - J 4
	62879	6330A -1	2 - C 9	SEAL, ORNAMENT	23601A	1330AA -1	1 - F 4	SHEET, RUBBER	28013A	2800A -1	1 - K 9
	62980	6330A -1	2 - C 9	SEAL, PISTON	19384	1920A -1	1 - C 7		34012	3400A -1	1 - F10
	76761	6120A -1	2 - K 7		19384A	1920A -1	1 - C 7	SHEET, SPRING	41043	4300A -1	1 - E11
SCREW SET	23371	1359A -1	1 - I 4		19385	1920A -1	1 - C 7	SHEET, SPRING-UPPER	34340	3400A -1	1 - F10
	24360	1820A -1	1 - I 6		19385A	1920A -1	1 - C 7	SHEET, TUBE	26922	2610A -1	1 - E 9
	24526	1830A -1	1 - J 6		19603	1940A -1	1 - G 7	SHELL, CONNECTING	19565	1930A -1	1 - E 7
	24535	1830A -1	1 - J 6	SEAL, PLATE (REQ'S 67-B27A-5Q)		6152B -1	2 - K 8	SHIELD (L), SPLASH	56141	5320A -1	2 - H 4
	24725	1840A -1	1 - K 6	SEAL, RADIATOR LWR.	15208A	1500A -1	1 - H 5	SHIELD (R), SPLASH	56131	5320A -1	2 - H 4
SCREW SET, IDLE ADJ.	23374	1360A -1	1 - J 4		15208A	1500AA -1	1 - I 5	SHIELD, HEAT	60715	6610A -1	2 - F 9
SCREW SET, THROTTLE ADJUST	23440	1360A -2	1 - K 4	SEAL, RADIATOR SIDE	15209	1500AA -1	1 - I 5	SHIELD, SPLASH	56191	5320A -1	2 - H 4
SCREW, ADJUST	27301A	2700A -1	1 - G 9		15209	1500A -1	1 - H 5	SHIM 'A' (L), HINGE	63231A	6230A -1	2 - L 8
	27301A	2700AA -1	1 - I 9	SEAL, SIDE	23151A	1110A -1	1 - H 3	SHIM 'A' (R), HINGE	62231A	6230A -1	2 - L 8
	87016	5100A -1	2 - J 3	SEAL, WATER	15120	1500A -1	1 - H 5	SHIM 'A', DAMPER	62636	6230A -1	2 - L 8
SCREW, BLEEDER	33691	3300A -1	1 - E10	SEALING KIT	32610	3240A -1	1 - D10	SHIM 'A', STRIKER	62366	6230A -1	2 - L 8
	33691A	2610AA -1	1 - F 9		49470	4140A -1	1 - N10	SHIM 'B', DAMPER	62637	6230A -1	2 - L 8
	33691A	2610A -1	1 - E 9		49530	4140A -1	1 - N10	SHIM 'B', HINGE	62232	6230A -1	2 - L 8
	33691B	4140A -1	1 - N10		57150	5700A -3	2 - E 6	SHIM 'B', STRIKER	62367	6230A -1	2 - L 8
SCREW, DMOS X .8 X 25 PPH Z1		6152B -1	2 - K 8	SEAT (L), FRONT	57100	5700A -3	2 - E 6	SHIM 'C' (L), HINGE	63241A	6230A -1	2 - L 8
SCREW, DMOS X .8 X 25 PPH Z1		6152B -1	2 - K 8	SEAT (R), FRONT	41040	4300A -1	1 - E11	SHIM 'C' (R), HINGE	62241A	6230A -1	2 - L 8
SCREW, KNOB	60054	5500A -2	2 - D 5	SEAT, SPRING	44051	4400A -1	1 - I 1	SHIM 'D', HINGE	62233	6230A -1	2 - L 8
SCREW, KNUCKLE	57109	5700A -3	2 - E 6	SECTOR	18845	6600A -1	2 - D 9	SHIM KIT, ADJUST	32140A	3210A -1	1 - N 9
SCREW, KNUCKLE COVER	88117C	5700A -4	2 - F 6	SENSOR, AIR TEMPERATURE	107301	6600A -1	2 - D 9	SHIM, ADJUST	146521	1400A -1	1 - E 5
SCREW, MIRROR	69112B	6900A -1	2 - K11	SENSOR, OIL LEVEL	18861B	6600A -1	2 - D 9		146521	1400AA -1	1 - F 5
	69123	6900A -2	2 - L11	SENSOR, OXYGEN	18760A	4000A -1	1 - L10		17207	1710A -1	1 - C 6
SCREW, RUBBER	43608A	4360A -1	1 - H11	SENSOR, THERMO	189101	6600A -1	2 - D 9		17287	1710A -2	1 - D 6
SCREW, STOPPER	51411	5103A -1	2 - K 3	SENSOR, THROTTLE	18211F	6600A -1	2 - D 9		17287J	1710A -2	1 - D 6
SCREW, TA BLK. ZINC		6152B -1	2 - K 8	SENSOR, VACUUM	15610	6600A -1	2 - D 9		17327	1710A -3	1 - E 6
SCREW, TAPPING	67568	6630A -1	2 - L 9	SENSOR, WATER LEVEL	18840C	6600A -1	2 - D 9		17474J	1720A -1	1 - G 6
	68153D	5840A -2	2 - D 7	SENSOR, WATER TEMPERATURE		6142B -1	2 - F 8		32188	3210A -1	1 - N 9
SCREW, TAPPING HWH, BLACK		6132B -1	2 - C 8	SERVICE PORT W VALVE		32984	3200A -1	SHIM, IDLER	32321	3230A -1	1 - C10
SEAL ASSY., SHAFT		6145B -2	2 - H 8	SET-CUP	32750A	3200A -1	1 - M 9	SHIM, TILTING HINGE	51405A	5103A -1	2 - K 3
SEAL KIT		6142B -1	2 - F 8	SET-HORN	32740A	3200A -1	1 - M 9	SHUTTER	76426	6120A -1	2 - K 7
	32180A	3210A -1	1 - N 9	SET-SCREW	19670	1940A -1	1 - G 7	SHUTTER NO 1	76402	6110A -1	2 - I 7
	49240A	2610AA -1	1 - F 9	SHAFT	24740A	1840A -1	1 - K 6	SHUTTER NO 2	76403	6110A -1	2 - I 7
	49240C	3300A -1	1 - E10		76467	6120A -1	2 - K 7	SHUTTER NO 3	76404	6110A -1	2 - I 7
SEAL PLATE, (REQ'S 67-B27A-5Q)		6152B -1	2 - K 8		76482	6120A -1	2 - K 7	SILENCER, FLOOR	76071	6860A -1	2 - I11
SEAL SET, DAMPER	347605	3400A -1	1 - F10		76513E	6110A -1	2 - I 7	SILENCER, MAIN	40500	4000A -1	1 - L10
SEAL SET, OIL	231801	1110A -1	1 - H 3	SHAFT KEY		6142B -1	2 - F 8	SILENCER, RELIEF	13590B	1380AA -1	1 - C 5
SEAL, APEX	113011	1110A -1	1 - H 3	SHAFT, CLUTCH	24745	1840A -1	1 - K 6	SLEEVE BEARING	24715	1840A -1	1 - K 6
SEAL, CORNER	113211	1110A -1	1 - H 3	SHAFT, DIFF. PINION	27261	2700A -1	1 - G 9		24741	1840A -1	1 - K 6
SEAL, CUT RING	19258	1910A -1	1 - N 6		27261	2700AA -1	1 - I 9	SLEEVE, CLUTCH HUB	17242	1710A -1	1 - C 6
SEAL, DUST	32279	3230A -1	1 - C10	SHAFT, DRIVEN GEAR	146201	1400AA -1	1 - F 5		17262	1710A -1	1 - C 6
	32279A	3230A -1	1 - C10		146201	1400A -1	1 - E 5	SLEEVE, SPEEDO GEAR	19442	1920A -1	1 - C 7
	34565	3400A -1	1 - F10	SHAFT, ECCENTRIC	114001	1100A -1	1 - G 3	SLEEVE SPEEDOMETER	17442	1700A -1	1 - M 5
SEAL, DUST-PITMAN	32278B	3210A -1	1 - N 9	SHAFT, ENGY ABSORBER	32100	3210A -1	1 - N 9	SLIDE 'A' (L), BUMPER	50053D	5000A -1	2 - D 3
SEAL, LATHE CUT	19394	1920A -1	1 - C 7	SHAFT, INPUT	19678	1910A -1	1 - N 6		50243B	5010A -1	2 - F 3
	19476	1930A -1	1 - E 7	SHAFT, INTERMEDIATE	21679	1930A -2	1 - F 7	SLIDE 'A' (R), BUMPER	50043D	5000A -1	2 - D 3
SEAL, O-RING	19475	1930A -1	1 - E 7	SHAFT, MAIN	17221	1710A -1	1 - C 6		50233B	5010A -1	2 - F 3
	19604	1940A -1	1 - G 7	SHAFT, MANUAL	19431	1950A -1	1 - H 7	SLIDE 'B' (L), BUMPER	50052D	5000A -1	2 - D 3
	19822	1920A -1	1 - C 7	SHAFT, OIL PUMP	141121	1400A -1	1 - E 5		50052E	5010A -1	2 - F 3
	21274	1920A -2	1 - D 7		141121	1400AA -1	1 - F 5	SLIDE 'B' (R), BUMPER	50042D	5000A -1	2 - D 3
	21275	1920A -2	1 - D 7	SHAFT, PARKING PAWL	19731	1950A -1	1 - H 7		50042E	5010A -1	2 - F 3
SEAL OIL	10507	1040A -1	1 - E 3	SHAFT, PROPELLER	25100A	2500A -1	1 - C 9	SNAP RING-SEAL SEAT		6142B -1	2 - F 8
	105561	1030A -1	1 - D 3	SHAFT, PULLEY	15932	1580A -1	1 - K 5	SOCKET	55261	5540A -1	2 - H 5
	114041	1100A -1	1 - G 3	SHAFT, REAR AXLE	26111A	2600A -1	1 - D 9		55261A	5540A -1	2 - H 5
	16103	1600A -1	1 - L 5	SHAFT, REV IDLE GEAR	17315	1710A -2	1 - D 6	SOCKET & HOLDER	51354	6900A -1	2 - K11
	17335	1700A -1	1 - M 5	SHAFT, SECTOR	32141	3210A -1	1 - N 9	SOCKET, AIR BLEED	132601	1320AA -1	1 - C 4
	17442K	1700A -1	1 - M 5	SHAFT, V P V CONTROL	13180A	1300AA -1	1 - J 3	SOLENOID, DOWN SHIFT	19821	6600A -1	2 - D 9
	18216	1820A -1	1 - I 6		13180B	1300AA -1	1 - J 3	SOLENOID OVER DRIVE	21293	6600A -2	2 - E 9
	19223A	1910A -1	1 - N 6	SHAFT VALVE	131201	1300A -1	1 - I 3	SPACER		6142B -1	2 - F 8
	19335	1920A -1	1 - C 7	SHEET	42331	4200A -1	1 - D11		115021	1100A -1	1 - G 3
	19442K	1920A -1	1 - C 7		42413	4200A -1	1 - D11		15103	1500AA -1	1 - I 5
	26154	2600A -1	1 - D 9	SHEET 'A', SIDE WINDOW	70526B	6300A -1	2 - M 8		15103	1500A -1	1 - H 5
	27018	2700A -1	1 - G 9	SHEET BOOT	68832	5570A -2	2 - L 5		15145	1500A -1	1 - H 5
	27018	2700AA -1	1 - I 9								

ALPHABETICAL INDEX

ALPHABETICAL INDEX

PART NAME	D-CODE	SECTION	LOCATION	PART NAME	D-CODE	SECTION	LOCATION	PART NAME	D-CODE	SECTION	LOCATION
SPACER	15145	1500AA-1	1 - I 5	SPRING, COIL	28010A	2800A -1	1 - K 9	STRAP	15908	1580A -1	1 - K 5
	17304	1710A -2	1 - D 6	SPRING, CONICAL	27259B	2700AA-1	1 - I 9	STRAP 'A', CARGO ROOM	69570A	6900A -2	2 - L11
	17304B	1710A -2	1 - D 6	SPRING, CONSOLE LID	64313	5570A -1	2 - K 5	STRAP 'B', CARGO ROOM	69580	6900A -2	2 - L11
	233131	1360A -1	1 - J 4	SPRING, CORNER SEAL	113231	1110A -1	1 - H 3	STRAP, AIR PUMP	137141	1371A -1	1 - L 4
	27401	2700AA-1	1 - I 9	SPRING, DIAPHRAGM	17303C	1710A -2	1 - D 6		137141	1371AA-1	1 - M 4
	27401	2700A -1	1 - G 9	SPRING, FRT.-INNER	113511	1110A -1	1 - H 3	STRAP, ALTERNATOR	18361	1800A -1	1 - H 6
	34135A	3410A -1	1 - G10	SPRING FRT.-OUTER	113531	1110A -1	1 - H 3	STRIKER	58570A	5830A -1	2 - J 6
	34384	3400A -1	1 - F10	SPRING, GLOVE LID	64086	5560A -1	2 - J 5		64101	5560A -1	2 - J 5
	40073	4000A -1	1 - L10	SPRING, GOVERNOR	19666	1940A -1	1 - G 7	STRIKER, LOCK	62361	6230A -1	2 - L 8
	41084	4300A -1	1 - E11	SPRING, HOLDING		6150B -2	2 - J 8	STRIKER, STORAGE BOX	64461A	6-30A -1	2 - K11
	43063	4300A -1	1 - E11	SPRING, LID-LAMP	51401B	5103A -1	2 - K 3	STRUT, BAND	19361	1920A -1	1 - C 7
	43221	4300A -1	1 - E11	SPRING, PAWL RETURN	19733	1950A -1	1 - H 7	STUD	102081	1040A -1	1 - E 3
	43608	4360AA-1	1 - I11	SPRING, PELLET	148211	1500AA-1	1 - I 5		13173	1300AA-1	1 - J 3
	45182A	1320AA-2	1 - D 4	SPRING, PISTON	19606	1940A -1	1 - G 7		13456	1310A -1	1 - K 3
	46084	4600A -1	1 - N11	SPRING, PISTON RETURN	19363A	1920A -1	1 - C 7		13456	1310AA-1	1 - L 3
	67302	6730A -1	2 - K10		19486	1930A -1	1 - E 7		39382	3900A -1	1 - K10
	67436	6750A -1	2 - M10	SPRING, PRESSURE	14116	1400A -1	1 - E 5	STUD, COVER	10619A	1040A -1	1 - E 3
	68861B	6300A -1	2 - M 8		14116	1400AA-1	1 - F 5	STUD, HOUSING	10219A	1040A -1	1 - E 3
SPACER 'C'	70449A	6300A -1	2 - M 9	SPRING, REAR-INNER	113611	1110A -1	1 - H 3	STUD, REACTOR	10105A	1030A -1	1 - D 3
SPACER, 'A'	70447A	6300A -1	2 - M 8	SPRING, REAR-OUTER	113631	1110A -1	1 - H 3	SUN VISOR (L)		6700A -2	2 - L11
SPACER, BEARING	26155	2600A -1	1 - D 9	SPRING, RETURN	41081A	4300A -1	1 - E11	SUN VISOR (R)	69210	6900A -2	2 - L11
SPACER, DOWEL	19734	1950A -1	1 - H 7		41308	4300A -1	1 - E11	SUNROOF	62820	6330A -1	2 - C 9
SPACER, HINGE-LOWER	58245	5800A -1	2 - I 6		41619	4160A -1	1 - C11	SUPPORT, DRUM	21250	1920A -2	1 - D 7
SPACER, HINGE-UPPER	58215	5800A -1	2 - I 6		44352	4400A -1	1 - J11	SUPPORT, FOOT	69910A	6830A -1	2 - I11
SPACER, MOUNT RUBBER	45182	4500A -1	1 - L11		52672	5230A -1	2 - F 4	SUPPORTER	18111	1800A -1	1 - H 6
SPACER, OIL PIPE	13331B	1910A -1	1 - N 6		52863	5230A -1	2 - F 4		18111H	1800A -1	1 - H 6
SPACER, SPRING	55316	5500A -1	2 - C 5	SPRING, RETURN-LOWER	26342	2610A -1	1 - E 9		18114	1800A -1	1 - H 6
SPACER, STAB.	28157	2810A -1	1 - L 9	SPRING, RETURN-UPPER	26341	2610A -1	1 - E 9	SUPPORTER, ACTUATOR	19701	1950A -1	1 - H 7
SPACER, STABILIZER	34158	3410A -1	1 - G10	SPRING, SELECT	17465C	1720A -1	1 - G 6	SUPPORTER, FORK	16232A	1600A -1	1 - L 5
SPEAKER, FRONT	66960C	6682A -1	2 - D10	SPRING, SIDE SEAL	113171	1110A -1	1 - H 3	SWITCH	1763C	6600A -1	2 - D 9
SPEAKER, LOUD-REAR	66970	6682A -1	2 - D10	SPRING, SYNCHRONIZER KEY	17264	1710A -1	1 - C 6		24760	1840A -1	1 - K 6
SPEEDOMETER	55471	5540A -1	2 - H 5		17724A	1710A -4	1 - F 6		76447	6115A -1	2 - J 7
SPINDLE	46152	4600A -1	1 - N11	STABILIZER	28101	2810A -1	1 - L 9	SWITCH (L), CLUSTER	66180	6613A -1	2 - I 9
SPINDLE, SELECT LOCK	17476	1720A -1	1 - G 6		34151	3410A -1	1 - G10	SWITCH (L), HANDLE	58490A	5830A -1	2 - J 6
SPOILER, FRONT	50881	5310A -1	2 - G 4	STARTER	18400	1840A -1	1 - K 6	SWITCH (R), CLUSTER	66170A	6612A -1	2 - H 9
SPOILER, REAR	51950	5180A -1	2 - E 4	STATOR	24501	1830A -1	1 - J 6	SWITCH, BACK-UP LAMP	17640	6600A -1	2 - D 9
SPRING	114121	1100A -1	1 - G 3	STATOR ASSY.		6140B -2	2 - E 8	SWITCH, CLUSTER		6612A -1	2 - H 9
	13087	1350A -1	1 - G 4	STAY (L), DAMPER	63610A	6230A -1	2 - L 8	SWITCH, CLUTCH	18660B	4300A -1	1 - E11
	13087B	6640A -1	2 - N 9	STAY (L), FENDER	52250	5320A -1	2 - H 4	SWITCH, COMBINATION	66110	6611A -1	2 - G 9
	142731	1040A -2	1 - F 3	STAY (L), MIRROR		6900A -2	2 - L11	SWITCH, CRUISE	66128	6611A -1	2 - G 9
	17411	1720A -1	1 - G 6	STAY (R), DAMPER	62610A	6230A -1	2 - L 8	SWITCH, DOOR	66820	6620A -1	2 - K 9
	17411A	1720A -1	1 - G 6	STAY (R), FENDER	52150	5320A -1	2 - H 4	SWITCH, FUEL LID OPENER	66700	6610A -1	2 - F 9
	17477	1720A -1	1 - G 6	STAY (R), MIRROR	69120A	6900A -1	2 - K11	SWITCH, GLOVE TRAY	60690	5560A -1	2 - J 5
	17483	1720A -1	1 - G 6		69120A	6900A -2	2 - L11	SWITCH, HEATER	61200	6100A -1	2 - H 7
	19664	1940A -1	1 - G 7	STAY, DAMPER	62610	6230A -1	2 - L 8	SWITCH, IGNITION	66155	0900A -1	2 - C 3
	32555	3230A -1	1 - C10	STAY, HOOD	52510	5230A -1	2 - F 4	SWITCH, INHIBITOR	19444	6600A -1	2 - D 9
	41470	4140A -1	1 - N10	STEM, PISTON	19386	1920A -1	1 - C 7	SWITCH, KICK DOWN	18660	6620A -1	2 - K 9
	44031	4400A -1	1 - J11	STEM, PISTON BAND	21386	1920A -2	1 - D 7	SWITCH, LEVEL	76673	6720A -1	2 - J10
	46062	4600A -1	1 - N11	STOPPER	41682	4160A -1	1 - C11	SWITCH, LIGHT & DIMMER	66122A	6611A -1	2 - G 9
	76135A	6110A -1	2 - I 7		44045	4400A -1	1 - J11	SWITCH, LOW PRESSURE, CUT-OFF		6132B -1	2 - C 8
	76428A	6110A -1	2 - I 7	STOPPER (L), GLOVE LID		5560A -1	2 - J 5	SWITCH, MAIN	66340	6610A -1	2 - F 9
SPRING (L), COIL		3400A -1	1 - F10	STOPPER (R), GLOVE LID	64036	5560A -1	2 - J 5	SWITCH, O-DRIVE CANCEL	66620D	5570A -2	2 - L 5
SPRING (R), COIL	34011B	3400A -1	1 - F10	STOPPER SET	24712	1840A -1	1 - K 6	SWITCH, OIL PRESSURE	21291	6600A -2	2 - E 9
SPRING LIFT, LID	42431	4200A -1	1 - D11	STOPPER, BUMP	28320B	280LA -1	1 - K 9	SWITCH, PARKING LAMP	66840	6620A -1	2 - K 9
SPRING SET	24308	1920A -1	1 - I 6	STOPPER, CONSOLE LID	64481A	5570A -2	2 - L 5	SWITCH, POWER WINDOW	66350	6615A -1	2 - J 9
	24754	1840A -1	1 - K 6		64482B	5570A -2	2 - L 5	SWITCH, PRESSURE		6130B -2	2 - N 7
SPRING SET, RETURN	23320	1360A -1	1 - J 4	STOPPER, FILLER LID	42408	4200A -1	1 - D11		32620A	3240A -1	1 - D10
SPRING, ACCUMULATOR	21272	1920A -2	1 - D 7	STOPPER, RUBBER	69232	6900A -2	2 - L11	SWITCH, REMOTE MIRROR	66600A	6610A -1	2 - F 9
SPRING ADJUST	66016	5100A -1	2 - J 3	STOPPER, STEERING	34159A	3400A -1	1 - F10	SWITCH, ROOM LAMP	60690C	6230A -1	2 - L 8
SPRING, APEX SEAL	113041	1110A -1	1 - H 3	STOPPER, T MISSION MTG	39388	3900A -1	1 - K10	SWITCH, STOP	67210	4300A -1	1 - E11
SPRING, BALL PARK	19703	1950A -1	1 - H 7	STORAGE BOX	55231	6680A -1	2 - C10	SWITCH, STORAGE BOX	60690H	6900A -1	2 - K11
SPRING BOOT PANEL	55216A	5570A -1	2 - K 5		55991	6680A -1	2 - C10	SWITCH, TEMP	18880	6600A -1	2 - D 9
SPRING BRAKE BACK	26315	2610A -1	1 - E 9	STRAINER	23304	1360A -1	1 - J 4	SWITCH, THERMO	18890	6600A -1	2 - D 9
SPRING BRAKE SHOE	26345	2610A -1	1 - E 9	STRAINER, OIL	14240	1400A -1	1 - E 5		18890A	6600A -1	2 - D 9
SPRING, BRUSH	24521	1830A -1	1 - J 6		14240	1400AA-1	1 - F 5	SWITCH, TRUNK LID OPENER	66630	6610A -1	2 - F 9
	24752	1840A -1	1 - K 6		19815	1920A -1	1 - C 7	SWITCH, VACUUM	13150	1380A -1	1 - N 4

ALPHABETICAL INDEX

PART NAME	D-CODE	SECTION	LOCATION	PART NAME	D-CODE	SECTION	LOCATION	PART NAME	D-CODE	SECTION	LOCATION
SWITCH, VACUUM	13150	1380AA-1	1 - C 5	TUBE, AIR INLET	14616	1400AA-1	1 - F 5	VALVE, PUPGE	209501	1380AA-2	1 - D 5
SWITCH, WIPER	66123B	6611A -1	2 - G 9	TUBE, DISCHARGE	6130B -2	2 - N 7		VALVE, SCHIRADER	209501	1380A -1	1 - N 4
T				TUBE, EXTENSION W/ PROTECTOR	6152B -1	2 - K 8		VALVE, SOLENOID-A.V.	23327	6145B -2	2 - H 8
TACHOMETER	55461	5540A -1	2 - H 5	TUBE, GOVERNOR	21660	1910A -1	1 - N 6	VALVE, STARTING FLUID	13540A	1360A -1	1 - J 4
TANK	32690	3240A -1	1 - D10	TUBE, LIQUID	6150B -2	2 - J 8		VALVE, SUCTION REED		1350AA-1	1 - H 4
	67480A	6750A -1	2 - M10	TUBE, METERING OIL	146301	1400A -1	1 - E 5	VALVE, THERMO	13980A	1320AA-1	1 - C 4
	76671	6720A -1	2 - J10		146301	1400AA-1	1 - F 5	VALVE, THREE-WAY	13240	1380AA-1	1 - C 5
TANK SET, RESERVE	41551S	4140A -1	1 - N10		146401	1400AA-1	1 - F 5		13240	1380A -1	1 - N 4
	43550S	4340A -1	1 - F11		146401	1400A -1	1 - E 5		13240A	1380AA-1	1 - C 5
	43550S	4340AA-1	1 - G11		146601	1400AA-1	1 - F 5		13240A	1380A -1	1 - N 4
TANK, FUEL	42110	4200A -1	1 - D11	TUBE, OIL LEVEL	19870	1920A -2	1 - D 7		13240B	1380AA-1	1 - C 5
TANK, STARTING FLUID	135101	1350AA-1	1 - H 4	TUBE, SUCTION		6130B -2	2 - N 7		13240B	1380A -1	1 - N 4
	135101	1350A -1	1 - G 4	TUBE, VACUUM	13945J	1380AA-2	1 - D 5	VALVE, VACUUM SW.	13240F	1380AA-1	1 - C 5
TANK, SUB	15350	1500A -1	1 - H 5		13945J	1380A -1	1 - N 4	VALVE, VARIABLE PORT	131601	1380AA-1	1 - C 5
	15350	1500AA-1	1 - I 5	TUBE, VACUUM CONTROL	18290	1800A -1	1 - H 6	VALVE, WATER	76416	6110A -1	2 - I 7
TANK, WASHER	67480	6720A -1	2 - J10	TUBE, VENT	42313	4200A -1	1 - D11	VALVE-FUEL CUT	45160	4500A -1	1 - L11
TANK, WASHER-RR. WIPER	76671A	6750A -1	2 - M10	TY-RAP		6132B -1	2 - C 8	VENTILATOR (L)	64810	5580A -1	2 - M 5
TAPE, INSULATION (5-16 X 1 X 24)		6152B -1	2 - K 8	***U***				VENTILATOR (R)	64710	5580A -1	2 - M 5
TERMINAL	67371A	6700A -1	2 - E10	UNIT ASSY., COOLING		6150B -2	2 - J 8	VESSEL (L), ASSIST GRIP		5840A -4	2 - F 7
THERMO UNIT	135311	1350AA-1	1 - H 4	UNIT, CONTROL	187012	6600A -1	2 - D 9	VESSEL (R), ASSIST	68456	5840A -4	2 - F 7
	135311	1350A -1	1 - G 4	UNIT, CPU	67560B	6630A -1	2 - L 9	VESSEL, INNER LOCK	68421A	5840A -3	2 - E 7
THERMOSTAT		6152B -1	2 - K 8	UNIT, HEAT GAUGE	18510	6600A -1	2 - D 9	***W***			
		1500AA-1	1 - I 5	UNIT, WATER LEVEL SENSOR	15620	6600A -1	2 - D 9	WALL (L), SIDE	64240A	5570A -1	2 - K 5
THERMOSTAT SET	15171S	1500A -1	1 - H 5	***V***				WALL (R), SIDE	64230	5570A -1	2 - K 5
	15171S	1500A -1	1 - H 5	V-BELT	18381	1800A -1	1 - H 6	WASHER	17314A	1720A -1	1 - G 6
TIE ROD END, INNER	32240S	3230A -1	1 - C10	VACUUM POWER ASSIST	43800	4340A -1	1 - F11		19433	1950A -1	1 - H 7
TIE ROD END, OUTER	32280S	3230A -1	1 - C10		43800	4340AA-1	1 - G11		23366	136JA -1	1 - J 4
TIRE		3790A -1	1 - H10	VACUUM SET	24350	1820A -1	1 - I 6		234081	1360A -1	1 - J 4
TOOL SET	68660A	6870A -1	2 - J11		24351	1820A -1	1 - I 6		27012	2700AA-1	1 - I 9
TRANSMISSION	19090A	1910A -1	1 - N 6	VALVE	131211	1300A -1	1 - I 3		27012	2700A -1	1 - G 9
TRANSMISSION, ASSY COMPLETE		1700A -1	1 - M 5		19663	1940A -1	1 - G 7		27252	2700A -1	1 - G 9
TRANSMISSION, ASSY. COMPLETE		1700A -1	1 - M 5	VALVE & PISTON	32470A	1940A -1	1 - G 7		27252	2700AA-1	1 - I 9
TRAY, ASH	64610	5500A -2	2 - D 5	VALVE ASSY., DISCHARGE SERVICE		3210A -1	1 - N 9		32341	3230A -1	1 - C10
TRAY, ASH HOUSING	64620	5500A -2	2 - D 5	VALVE ASSY., SUCTION SERVICE		6145B -2	2 - H 8		34158B	2800A -1	1 - K 9
TRAY, ASH-INNER	64640	5500A -2	2 - D 5	VALVE ASSY., SUCTION SERVICE		6145B -2	2 - H 8		39383	3900A -1	1 - K10
TRAY, BATTERY	56863A	1350A -1	1 - M 6	VALVE PLATE ASSEMBLY		6142B -1	2 - F 8		39385A	3500A -1	1 - K10
TRAY, GLOVE	64161	5560A -1	2 - J 5	VALVE SET, FLOAT	23390	1360A -1	1 - J 4		39386	3900A -1	1 - K10
TRIM (L), CTR. PILLAR		6820A -1	2 - D11	VALVE, A.A.	13750A	1380A -1	1 - N 4		40166	4000A -1	1 - L10
		6820A -1	2 - D11	VALVE, AIR	37600C	3700A -1	1 - H10		40815A	4000A -2	1 - M10
TRIM (L), DOOR		5840A -2	2 - D 7	VALVE, AIR CONTROL	137201	1371AA-1	1 - M 4		40815C	4000A -2	1 - M10
TRIM (L), FRONT SIDE		6840A -1	2 - F11		137201	1371A -1	1 - L 4		45909	4360AA-1	1 - H11
TRIM (L), FRT. PILLAR		6820A -1	2 - D11	VALVE, AIR CONTROL SOLENOID	237251	1371AA-1	1 - M 4		45909	4360A -1	1 - H11
TRIM (L), QUARTER		6840A -1	2 - F11		237251	1371A -1	1 - L 4		62636A	6750A -1	2 - M10
TRIM (L), REAR PILLAR		6820A -1	2 - D11	VALVE, AIR SUPPLY	13760A	1380AA-1	1 - C 5		68964B	5840A -4	2 - F 7
TRIM (L), SEAT BACK	88181	5700A -5	2 - G 6	VALVE, ALTITUDE COMPENSATOR	207701	1380A -1	1 - N 4		76472	6110A -1	2 - I 7
TRIM (L), SEAT CUSHION	88161	5700A -5	2 - G 6	VALVE, BY-PASS AIR CONTROL	13770A	1380AA-2	1 - D 5		76516	6115A -1	2 - J 7
TRIM (L), TIRE HOUSING		6840A -2	2 - G11	VALVE, CHECK	13270	1320A -1	1 - M 3		76621A	6750A -1	2 - M10
TRIM (L), TRUNK SIDE		6840A -2	2 - G11		137301	1371AA-1	1 - M 4		76662	6740A -1	2 - L10
TRIM (R), CTR. PILLAR	68221	6820A -1	2 - D11		137301	1371A -1	1 - L 4		87132A	6750A -1	2 - M10
TRIM (R), DOOR	68420	5840A -2	2 - D 7	VALVE, DISCHARGE REED	146801	1400AA-2	1 - G 5	WASHER SET	24726	1840A -1	1 - K 6
TRIM (R), FRONT SIDE	68371	6840A -1	2 - F11	VALVE, EXPANSION	42710	4200A -1	1 - D11	WASHER, ADJUST	17641	1710A -3	1 - E 6
TRIM (R), FRT. PILLAR	68171	6820A -1	2 - D11	VALVE, MANUAL	67508	6720A -1	2 - J10		17651	1710A -3	1 - E 6
TRIM (R), QUARTER	68530A	6840A -1	2 - F11	VALVE, P.B.	43900A	4360A -1	1 - H11	WASHER, ADJUSTING		6140B -2	2 - E 8
TRIM (R), REAR PILLAR	68320A	6820A -1	2 - D11		43900A	1360AA-1	1 - I11	WASHER, CAP	67375	6730A -1	2 - K10
TRIM (R), SEAT BACK	88131	5700A -4	2 - F 6	VALVE, CONTROL	19750	1920A -1	1 - C 7	WASHER, CUP	76606	6730A -1	2 - K10
TRIM (R), SEAT CUSHION	88111	5700A -4	2 - F 6	VALVE, DELAY	32627	3240A -1	1 - D10	WASHER, FRONT CLUTCH	19641	1930A -2	1 - F 7
TRIM (R), TIRE HOUSING	68761	6840A -2	2 - G11		139801	1380A -1	1 - N 4	WASHER, LOCK	18056	6701A -1	2 - F10
TRIM (R), TRUNK SIDE	68860	6840A -2	2 - G11	VALVE, DISCHARGE REED	13980B	1380A -1	1 - N 4	WASHER, PLAIN	19337	1920A -1	1 - C 7
TRIM, (R), CTR. PILLAR	68110A	6820A -1	2 - D11	VALVE, EXPANSION	20309E	1320AA-1	1 - C 4		19388	1920A -1	1 - C 7
TRIM, TRUNK END	68890	6840A -2	2 - G11	VALVE, MANUAL	19768	1920A -1	1 - C 7		19759	1920A -1	1 - C 7
TUBE NO. 1, AIR	14606A	1400AA-1	1 - F 5	VALVE, P.B.	43900A	4360A -1	1 - H11	WASHER, PLATE	76474A	6120A -1	2 - K 7
TUBE NO. 2, AIR	14607	1400AA-1	1 - F 5		43900A	1360AA-1	1 - I11	WASHER, RUBBER	67301	6730A -1	2 - K10
TUBE NO. 3, AIR	14608	1400AA-1	1 - F 5								
TUBE NO. 4, AIR	14 09	1400AA-1	1 - F 5								

ALPHABETICAL INDEX

PART NAME	D-CODE	SECTION	LOCATION	PART NAME	D-CODE	SECTION	LOCATION	PART NAME	D-CODE	SECTION	LOCATION
WASHER, SEAL	104551	1040A	1 - E 3								
	21665	1910A	1 - N 6								
WASHER, SPRING		6140B	2 - E 8								
	138821	6140B	2 - E 8								
	138821	1310A	1 - K 3								
	138821	1310AA	1 - L 3								
WASHER, TAB	33043	3300A	1 - E10								
WASHER, THRUST	115071	1100A	1 - G 3								
	17276	1710A	1 - C 6								
	17313	1710A	1 - D 6								
	17313B	1710A	1 - D 6								
WASHER, THRUST LOCK	17631	1710A	1 - E 6								
WASHER, TOOTHED	76663	6740A	2 - L10								
WASHER, WAVY	17482	1720A	1 - G 6								
WEATHERSTRIP (L), DOOR		5800A	2 - I 6								
WEATHERSTRIP (R), DOOR	58760	5800A	2 - I 6								
WEATHERSTRIP, HOOD	56787	5230A	2 - F 4								
WEATHERSTRIP, INNER	58821A	5840A	2 - D 7								
WEATHERSTRIP, OUTER	58811A	5840A	2 - D 7								
WEATHERSTRIP, ROOF	62805	6330A	2 - C 9								
WEATHERSTRIP, RR. WINDOW	63932	6300A	2 - M 8								
WEIGHT, BALANCE	115111	1100A	1 - G 3								
WEIGHT, BALANCE-ALUMINUM (ADHESIVE TYPE)		3700A	1 - I10								
WEIGHT, BALANCE-ALUMINUM (ADHESIVE TYPE)	37600K	3700A	1 - I10								
WEIGHT, BALANCING	37600E	3700A	1 - H10								
WEIGHT, CONTROL	117501	1100A	1 - G 3								
WEIGHT, PUMP	23301A	1360A	1 - J 4								
WELT, SEAMING	58755	5800A	2 - I 6								
	68911C	6800A	2 - C11								
WHEEL	37600	3700A	1 - H10								
WHEEL SET, ALUMINUM	37600S	3700A	1 - I10								
WHEEL, SPROCKET	14143	1400AA	1 - F 5								
	14143	1400A	1 - E 5								
WIRE	13086	1350A	1 - G 4								
WIRE HARNESS (UNDER DASH)		6152B	2 - K 8								
WIRE HARNESS (UNDER HOOD)		6152B	2 - K 8								
WIRE HARNESS, A/C		6130B	2 - N 7								
WIRE HARNESS, PRESSURE SWITCH		6130B	2 - N 7								
WIRE SET, HIGH TENSION	18150	1800A	1 - H 6								
WIRE, ACC	66311	6640A	2 - N 9								
WIRE, ACCELERATOR	41660	4160A	1 - C11								
WIRE, CHOKE	60050	5500A	2 - D 5								
WIRE, CONNECTOR		6152B	2 - K 8								
WIRE, HEATER CONTROL	76521	6115A	2 - J 7								
WIRE, HIGH TENSION	18110A	1800A	1 - H 6								
	181201	1800A	1 - H 6								
	181301	1800A	1 - H 6								
	181401	1800A	1 - H 6								
	181601	1800A	1 - H 6								
	181701	1800A	1 - H 6								
	181801	1800A	1 - H 6								
WIRE, RADIO GROUND	67861	6682A	2 - D10								
WIRE, RELEASE	88108T	5700A	2 - E 6								
WIRE, RELEASE-HOOD	56710	5230A	2 - F 4								
WIRING, BLOWER	76467A	6120A	2 - K 7								
WIRING, ENGINE	18050	6701A	2 - F10								
WRENCH, HUB NUT	68070	6870A	2 - J11								
*** Y ***											
YOKE	24701	1840A	1 - K 6								
YOKE, STATOR	76614	6760A	2 - N10								

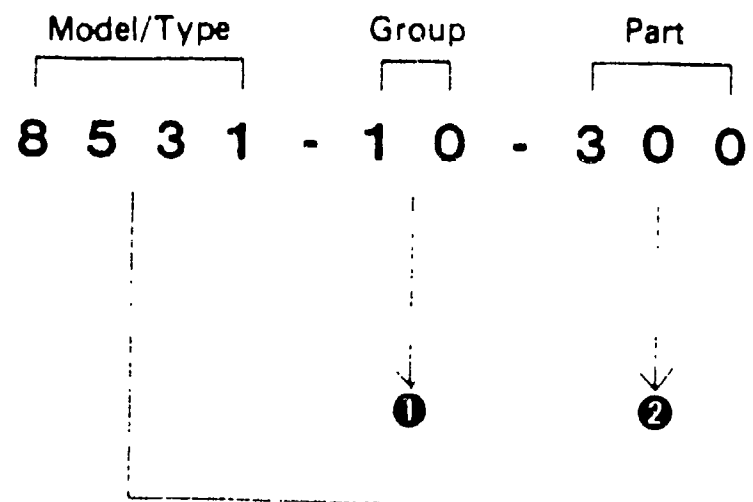
PART NUMBER INDEX

PART NUMBER INDEX

This index is listed in the following sequence.

GENERAL PARTS

EXAMPLE



- ① first, in the sequence of group (5th & 6th digits)
- ② second, in the sequence of part (7th-9th digits)
- ③ third, in the sequence of model/type (1st-4th digits)

STANDARD PARTS

Standard Parts are listed in numerical sequence after General Parts.
(Note: Those parts which do not have D-Code are not listed in the index.)

PART NUMBER INDEX

PART NUMBER	SECTION	LOCATION	PART NUMBER	SECTION	LOCATION	PART NUMBER	SECTION	LOCATION	PART NUMBER	SECTION	LOCATION	PART NUMBER	SECTION	LOCATION
9983-00-525	6152B -1	2 - K 8	N231-10-600B	1040A -1	1 - E 3	0000-11-0293	6610A -1	2 - F 9	N229-13-081	1350A -1	1 - G 4	1480-13-220B	1320A -1	1 - M 3
9983-00-525	6152B -1	2 - K 8	0820-10-605	1040A -1	1 - E 3	N201-11-300A	1110A -1	1 - H 3	N229-13-085	1350A -1	1 - G 4	N304-13-220B	1320AA-1	1 - C 4
M544-03-000	1700A -1	1 - M 5	1757-10-609	1040A -1	1 - E 3	N304-11-300	1110A -1	1 - H 3	N225-13-086A	1350A -1	1 - G 4	N304-13-230	1320AA-1	1 - C 4
M546-03-000	1700A -1	1 - M 5	N249-10-619	1040A -1	1 - E 3	N201-11-302A	1110A -1	1 - H 3	8871-13-087A	1350A -1	1 - G 4	N253-13-231	1320AA-1	1 - C 4
9970-03-060T	5120A -1	2 - N 3	8871-10-631A	1040A -1	1 - E 3	1011-11-304B	1110A -1	1 - H 3	8871-13-087A	6640A -1	2 - N 9	N304-13-235D	1320AA-1	1 - C 4
9965-04-4050	3700A -1	1 - H10	8527-10-641	1040A -1	1 - E 3	1757-11-304	1110A -1	1 - H 3	N201-13-100A	1300A -1	1 - J 3	1480-13-240A	1380A -1	1 - N 4
9965-06-4050	3700A -1	1 - H10	N201-10-700A	1040A -1	1 - E 3	0820-11-317	1110A -1	1 - H 3	N304-13-100F	1300AA-1	1 - J 3	1481-13-240A	1380A -1	1 - N 4
FA54-09-010C	0900A -1	2 - C 3	N203-10-700	1040A -1	1 - E 3	N225-11-321	1110A -1	1 - H 3	N305-13-100F	1300AA-1	1 - J 3	1481-13-240A	1380AA-1	1 - C 5
FA54-09-010C10	0900A -1	2 - C 3	N304-10-700	1040A -1	1 - E 3	N201-11-322	1110A -1	1 - H 3	1010-13-104	1380A -1	1 - N 4	1482-13-240A	1380A -1	1 - N 4
FA54-09-010C65	0900A -1	2 - C 3	N305-10-700A	1040A -1	1 - E 3	1202-11-323A	1110A -1	1 - H 3	1010-13-104	1380AA-1	1 - C 5	1482-13-240A	1380AA-1	1 - C 5
FA54-09-010C78	0900A -1	2 - C 3	0839-10-711	1040A -1	1 - E 3	0820-11-341	1110A -1	1 - H 3	N304-13-110D	1300AA-1	1 - J 3	N304-13-240	1380AA-1	1 - C 5
N249-10-100	1030A -1	1 - D 3	1757-10-711	1040A -1	1 - E 3	1202-11-343	1110A -1	1 - H 3	1881-13-111A	1300A -1	1 - J 3	N305-13-240A	1380AA-1	1 - C 5
N304-10-100C	1030A -1	1 - D 3	N201-10-730	6600A -1	2 - D 9	N225-11-351	1110A -1	1 - H 3	N304-13-111	1300AA-1	1 - J 3	N225-13-241A	1380A -1	1 - N 4
0839-10-105	1030A -1	1 - D 3	N231-10-735	6600A -1	2 - D 9	1011-11-353A	1110A -1	1 - H 3	8527-13-113	1300A -1	1 - J 3	N304-13-241B	1380AA-1	1 - C 5
0839-10-111B	1030A -1	1 - D 3	N201-10-830	1030A -1	1 - D 3	N225-11-361	1110A -1	1 - H 3	N304-13-114	1300AA-1	1 - J 3	N304-13-242	1380AA-1	1 - C 5
1757-10-111	1030A -1	1 - D 3	8555-10-845	1040A -2	1 - F 3	1011-11-363A	1110A -1	1 - H 3	N304-13-116	1300AA-1	1 - J 3	N304-13-243A	1380AA-1	1 - C 5
1757-10-171A	1030A -1	1 - D 3	N307-10-845	1040A -2	1 - F 3	1883-11-400A	1100A -1	1 - G 3	N304-13-117B	1300AA-1	1 - J 3	N249-13-246A	1380A -1	1 - N 4
1480-10-172	1030A -1	1 - D 3	N225-10-861	1040A -2	1 - F 3	N201-11-400	1100A -1	1 - G 3	1480-13-120A	1300A -1	1 - J 3	N304-13-246A	1380AA-1	1 - C 5
N231-10-173	1030A -1	1 - D 3	8871-10-862	1040A -2	1 - F 3	N304-11-400	1100A -1	1 - G 3	N201-13-121	1300A -1	1 - J 3	N249-13-247A	1380A -1	1 - N 4
N231-10-174	1040A -1	1 - E 3	N304-10-862	1040A -2	1 - F 3	1881-11-404	1100A -1	1 - G 3	N238-13-130	1380A -1	1 - N 4	N304-13-247B	1380AA-1	1 - C 5
8981-10-200B	1040A -1	1 - E 3	N304-10-A60	1040A -1	1 - E 3	0839-11-411A	1100A -1	1 - G 3	N249-13-135A	1380A -1	1 - N 4	N304-13-248A	1380AA-1	1 - C 5
N304-10-200B	1040A -1	1 - E 3	9954-10-1252	1320AA-1	1 - C 4	0839-11-412	1100A -1	1 - G 3	N250-13-135	1380A -1	1 - N 4	N304-13-249	1380AA-1	1 - C 5
0839-10-203	1040A -1	1 - E 3	9954-10-1601	1400A -1	1 - E 5	9961-11-500	2610A -1	1 - E 9	1480-13-137A	1380A -1	1 - N 4	N304-13-250	1320AA-1	1 - C 4
8562-10-205	1040A -1	1 - E 3	9954-10-1601	1400AA-1	1 - F 5	9961-11-500	4140A -1	1 - N10	1480-13-139B	1380A -1	1 - N 4	8574-13-252	1320AA-1	1 - C 4
1757-10-206A	1040A -1	1 - E 3	9954-10-1601	1920A -2	1 - D 7	1011-11-501	1100A -1	1 - G 3	N249-13-150	1380A -1	1 - N 4	N236-13-252	1320AA-1	1 - C 4
1757-10-207A	1040A -1	1 - E 3	9954-10-3501	1800A -1	1 - H 6	0839-11-502	1100A -1	1 - G 3	N304-13-150A	1380AA-1	1 - C 5	8574-13-253	1320AA-1	1 - C 4
1757-10-208	1040A -1	1 - E 3	9935-10-4999	1320A -1	1 - M 3	1011-11-504	1100A -1	1 - G 3	N304-13-155	1380AA-1	1 - C 5	N236-13-253A	1380AA-1	1 - C 5
N249-10-219	1040A -1	1 - E 3	9935-10-4999	1320AA-2	1 - D 4	0813-11-505B	1100A -1	1 - G 3	8574-13-157	1320AA-1	1 - C 4	N249-13-255	1380A -1	1 - N 4
8871-10-250A	1030A -1	1 - D 3	9935-10-4999	1380A -1	1 - N 4	0839-11-506	1100A -1	1 - G 3	8574-13-157	4500A -1	1 - L11	N305-13-260	1320AA-1	1 - C 4
8871-10-252	1030A -1	1 - D 3	9935-10-4999	1380AA-2	1 - D 5	1011-11-507	1100A -1	1 - G 3	N225-13-160A	1380AA-1	1 - C 5	3648-13-270A	1320A -1	1 - M 3
N231-10-300A	1040A -1	1 - E 3	9935-10-4999	1800A -1	1 - H 6	0839-11-508	1100A -1	1 - G 3	N304-13-170	1380AA-1	1 - C 5	N304-13-272	1320AA-1	1 - C 4
N304-10-300	1040A -1	1 - E 3	9935-10-6999	1380A -1	1 - N 4	0839-11-509	1100A -1	1 - G 3	N225-13-171	1380AA-1	1 - C 5	N304-13-276C	1320AA-1	1 - C 4
1480-10-305	1040A -1	1 - E 3	9935-10-6999	4200A -1	1 - D11	N226-11-511A	1100A -1	1 - G 3	N225-13-173A	1300AA-1	1 - J 3	N253-13-280	1320AA-1	1 - C 4
1481-10-305	1040A -1	1 - E 3	9935-10-6999	4200A -1	1 - D11	N304-11-511	1100A -1	1 - G 3	N304-13-180A	1300AA-1	1 - J 3	N253-13-282	1320AA-1	1 - C 4
N225-10-305	1040A -1	1 - E 3	9935-10-8999	1320A -1	1 - M 3	8519-11-517	1100A -1	1 - G 3	N305-13-180A	1300AA-1	1 - J 3	N304-13-283A	1380AA-1	1 - C 5
1757-10-309	1040A -1	1 - E 3	9935-10-8999	1320AA-2	1 - D 4	0839-11-531	1100A -1	1 - G 3	N225-13-184	1300AA-1	1 - J 3	3648-13-290	1380A -1	1 - N 4
N231-10-351A	1040A -1	1 - E 3	9935-10-8999	1380A -1	1 - N 4	0839-11-551A	1100A -1	1 - G 3	N225-13-186	1300AA-1	1 - J 3	8871-13-291A	1380A -1	1 - N 4
N304-10-351	1040A -1	1 - E 3	9935-10-8999	1380AA-2	1 - D 5	N249-11-600A	1100A -1	1 - G 3	N304-13-187	1300AA-1	1 - J 3	N304-13-291	1320AA-1	1 - C 4
8341-10-400	1030A -1	1 - D 3	9997-11-000	1310A -1	1 - K 3	N304-11-600A	1100A -1	1 - G 3	N225-13-188A	1300AA-1	1 - J 3	8871-13-296B	1380A -1	1 - N 4
N304-10-400	1030A -1	1 - D 3	9997-11-000	1310AA-1	1 - L 3	0820-11-611B	1100A -1	1 - G 3	N249-13-200F	1359A -1	1 - I 4	N249-13-300A	1330A -1	1 - E 4
HE03-10-404	1040A -1	1 - E 3	9997-11-000	6142B -1	2 - F 8	N231-11-700A	1100A -1	1 - G 3	N250-13-200E	1359A -1	1 - I 4	N304-13-300B	1330AA-1	1 - F 4
3565-10-410A	1030A -1	1 - D 3	0000-11-001	6700A -1	2 - E10	N304-11-700A	1100A -1	1 - G 3	N251-13-200F	1359A -1	1 - I 4	8871-13-305	5360A -1	2 - K 4
8562-10-417	1030A -1	1 - D 3	0000-11-002	6700A -1	2 - E10	0866-11-702	1100A -1	1 - G 3	N252-13-200E	1359A -1	1 - I 4	8871-13-305	6330A -1	2 - C 9
1015-10-451B	1040A -1	1 - E 3	0000-11-003	6700A -1	2 - E10	0820-11-705	1100A -1	1 - G 3	8871-13-201A	1320A -1	1 - M 3	N304-13-315A	1330AA-1	1 - F 4
1757-10-451B	1040A -1	1 - E 3	0000-11-004	5500A -1	2 - C 5	0810-11-711	1100A -1	1 - G 3	1481-13-205C	1320A -1	1 - M 3	N304-13-320B	1330AA-1	1 - F 4
1015-10-452A	1040A -1	1 - E 3	0000-11-0074	5540A -1	2 - H 5	N226-11-751A	1100A -1	1 - G 3	1481-13-205C	1320AA-1	1 - C 4	N249-13-330A	1310A -1	1 - K 3
1757-10-452A	1040A -1	1 - E 3	0000-11-0074	6115A -1	2 - J 7	N326-11-D03	1100A -1	1 - G 3	N201-13-205	1359A -1	1 - I 4	N304-13-330B	1310AA-1	1 - L 3
0839-10-455	1040A -1	1 - E 3	1011-11-111	1110A -1	1 - H 3	0000-11-1156	5110A -1	2 - M 3	N304-13-208A	1320AA-1	1 - C 4	2850-13-331	191GA -1	1 - N 6
3648-10-500	1030A -1	1 - D 3	0000-11-0194	5105A -1	2 - L 3	0000-11-1157	5105A -1	2 - L 3	N304-13-209	1320AA-1	1 - C 4	8871-13-341A	1330A -1	1 - E 4
3743-10-500	1030A -1	1 - D 3	0000-11-0194	5120A -1	2 - N 3	0000-11-1157	5110A -1	2 - M 3	N304-13-210	1330AA-1	1 - F 4	N304-13-350C	1320AA-1	1 - C 4
0820-10-502B	1030A -1	1 - D 3	0000-11-0194	5500A -1	2 - C 5	0000-11-3022	5125A -1	2 - C 4	N236-13-211	1330AA-1	1 - F 4	1757-13-351A	1330A -1	1 - E 4
3648-10-550A	1030A -1	1 - D 3	0000-11-0194	5540A -1	2 - H 5	0000-11-3175	6900A -2	2 - L11	N304-13-212	1330AA-1	1 - F 4	N304-13-351A	1330AA-1	1 - F 4
3743-10-550A	1030A -1	1 - D 3	0000-11-0194	5560A -1	2 - J 5	0000-11-6014	5100A -1	2 - J 3	8341-13-215	1320AA-1	1 - C 4	N304-13-352	1330AA-1	1 - F 4
0813-10-555A	1030A -1	1 - D 3	0000-11-0194	5570A -1	2 - K 5	0000-11-6024-HL	5100A -1	2 - J 3	8341-13-215	1360A -1	1 - J 4	N304-13-353A	1330AA-1	1 - F 4
1668-10-556A	1030A -1	1 - D 3	0000-11-0194	6900A -2	2 - L11	9961-12-000	1100A -1	1 - G 3	N304-13-215	1330AA-1	1 - F 4	N304-13-356B	1330AA-1	1 - F 4

PART NUMBER INDEX

PART NUMBER	SECTION	LOCATION	PART NUMBER	SECTION	LOCATION	PART NUMBER	SECTION	LOCATION	PART NUMBER	SECTION	LOCATION	PART NUMBER	SECTION	LOCATION
0222-13-363	1380AA-1	1 - C 5	N304-13-715	1580A -1	1 - K 5	8553-14-110	1400A -1	1 - E 5	0820-14-625A	1400AA-1	1 - F 5	N236-15-170	1500AA-1	1 - I 5
N249-13-375	1310A -1	1 - K 3	1757-13-717	1371A -1	1 - L 4	8553-14-110	140JAA-2	1 - G 5	N304-14-631	1400AA-1	1 - F 5	1757-15-173	1500A -1	1 - H 5
N249-13-380	1310A -1	1 - K 3	N304-13-717A	1371AA-1	1 - M 4	8553-14-112	1400A -1	1 - E 5	N236-14-633A	1030A -1	1 - D 3	1757-15-173	1500AA-1	1 - I 5
N304-13-380A	1310AA-1	1 - L 3	1480-13-718A	1371A -1	1 - L 4	8553-14-112	1400AA-1	1 - F 5	N236-14-635A	1400AA-1	1 - F 5	N304-15-200	1500A -1	1 - H 5
N249-13-400B	1320A -1	1 - M 3	N304-13-718A	1371AA-1	1 - M 4	0810-14-113	1400A -1	1 - E 5	N236-14-639B	1400AA-2	1 - G 5	N304-15-200	1500AA-1	1 - I 5
N326-13-416	1320AA-1	1 - C 4	N249-13-720A	1371A -1	1 - L 4	0810-14-113	1400AA-1	1 - F 5	N225-14-651	1400A -1	1 - E 5	0710-15-204	1500A -1	1 - H 5
N326-13-416	4500A -1	1 - L11	N249-13-720B	1371A -1	1 - L 4	0221-14-115	1400A -1	1 - E 5	N304-14-651C	1400AA-1	1 - F 5	0710-15-204	1500AA-1	1 - I 5
N304-13-420	1320AA-1	1 - C 4	N250-13-720	1371A -1	1 - L 4	0221-14-115	1400AA-1	1 - F 5	1757-14-652	1400A -1	1 - E 5	8871-15-205	1500A -1	1 - H 5
HE21-13-428	1320AA-1	1 - C 4	N250-13-720A	1371A -1	1 - L 4	0839-14-115	1040A -2	1 - F 3	N236-14-652A	1400AA-1	1 - F 5	D316-15-205	1500A -1	1 - H 5
1480-13-445	1380A -1	1 - N 4	N251-13-720A	1371A -1	1 - L 4	0221-14-116	1400A -1	1 - E 5	N236-14-653	1400AA-1	1 - F 5	F807-15-205	1500A -1	1 - H 5
N231-13-445A	1320A -1	1 - M 3	N251-13-720B	1371A -1	1 - L 4	0221-14-116	1400AA-1	1 - F 5	8871-14-660B	1400A -1	1 - E 5	F807-15-205	1500AA-1	1 - I 5
N231-13-446	1350A -1	1 - G 4	N252-13-720	1371A -1	1 - L 4	0839-14-117	1400A -1	1 - E 5	N304-14-660A	1400AA-1	1 - F 5	SE01-15-205	1500A -1	1 - H 5
N231-13-446	6720A -1	2 - J10	N252-13-720A	1371A -1	1 - L 4	0839-14-117	1400AA-1	1 - F 5	3565-14-662A	1500A -1	1 - H 5	SE01-15-205	1500AA-1	1 - I 5
F801-13-447	1380AA-1	1 - C 5	N304-13-720B	1371AA-1	1 - M 4	8553-14-118	1400A -1	1 - E 5	N304-14-664	1400AA-1	1 - F 5	N249-15-210B	1500A -1	1 - H 5
N304-13-447	1320AA-1	1 - C 4	N201-13-724	1371A -1	1 - L 4	8553-14-118	1400AA-1	1 - F 5	N304-14-667C	1400AA-1	1 - F 5	N304-15-210B	1500AA-1	1 - I 5
N304-13-448	1320AA-1	1 - C 4	N304-13-724A	1371AA-1	1 - M 4	0839-14-119B	1400A -1	1 - E 5	N304-14-668E	1400AA-2	1 - G 5	N249-15-211	1500A -1	1 - H 5
E508-13-470	1320A -1	1 - M 3	N201-13-725	1371A -1	1 - L 4	0839-14-119B	1400AA-1	1 - F 5	8871-14-670B	1400A -1	1 - E 5	N249-15-211	1500AA-1	1 - I 5
E508-13-470 -BP	1320A -1	1 - M 3	1480-13-726	1371A -1	1 - L 4	8553-14-125	1400A -1	1 - E 5	N304-14-670A	1400AA-1	1 - F 5	N249-15-250B	1500A -1	1 - H 5
N304-13-480	1320AA-1	1 - C 4	1480-13-726	1371AA-1	1 - M 4	8553-14-125	1400AA-1	1 - F 5	N304-14-680	1400AA-1	1 - F 5	N304-15-250B	1500AA-1	1 - I 5
E508-13-481	1320A -1	1 - M 3	N304-13-726	1371AA-1	1 - M 4	0839-14-141A	1400A -1	1 - E 5	N304-14-690A	1400AA-1	1 - F 5	0460-15-277	1500AA-1	1 - I 5
N304-13-481B	1320AA-1	1 - C 4	N304-13-726	1380AA-1	1 - C 5	0839-14-141A	1400AA-1	1 - F 5	N231-14-700C	1400A -1	1 - E 5	2667-15-303A	5500A -1	2 - C 5
N236-13-482	1320AA-1	1 - C 4	1480-13-727A	1380A -1	1 - N 4	0839-14-142	1400A -1	1 - E 5	0813-14-716	1500AA-1	1 - I 5	2667-15-303A	5580A -1	2 - M 5
N236-13-483	1320AA-1	1 - C 4	1480-13-730	1371A -1	1 - L 4	0839-14-142	1400AA-1	1 - F 5	N231-14-720B	1400A -1	1 - E 5	N232-15-310D	1500A -1	1 - H 5
N304-13-484	1320AA-1	1 - C 4	1480-13-730	1371AA-1	1 - M 4	8871-14-160	1400A -1	1 - E 5	N304-14-720C	1500AA-1	1 - I 5	N249-15-310	1500A -1	1 - H 5
1881-13-510G	1350A -1	1 - G 4	N304-13-740C	1330AA-1	1 - F 4	8871-14-160	1400AA-1	1 - F 5	N304-14-726	1580A -1	1 - K 5	N304-15-310A	1500AA-1	1 - I 5
1881-13-510G	1350AA-1	1 - H 4	N236-13-742	1330AA-1	1 - F 4	0810-14-171A	1400A -1	1 - E 5	N304-14-730C	1500AA-1	1 - I 5	1757-15-312	6682A -1	2 - D10
1757-13-515A	1350A -1	1 - G 4	N304-13-745	6630A -1	2 - L 9	0810-14-171A	1400AA-1	1 - F 5	N304-14-740	1500AA-1	1 - I 5	N232-15-317	1500A -1	1 - H 5
1757-13-515A	1350AA-1	1 - H 4	N201-13-750	1380A -1	1 - N 4	3648-14-250	1400A -1	1 - E 5	N231-14-744B	1400A -1	1 - E 5	N232-15-317	1500AA-1	1 - I 5
8871-13-527	1350A -1	1 - G 4	N201-13-755	1380A -1	1 - N 4	3648-14-250	1400AA-1	1 - F 5	0839-14-745A	1500AA-1	1 - I 5	N231-15-331A	1500A -1	1 - H 5
N304-13-527A	1350AA-1	1 - H 4	N201-13-756	1380A -1	1 - N 4	0839-14-273A	1040A -2	1 - F 3	N231-14-745B	1400A -1	1 - E 5	N231-15-331A	1500AA-1	1 - I 5
8712-13-531	1350A -1	1 - G 4	N201-13-757A	1380A -1	1 - N 4	N231-14-273	1040A -2	1 - F 3	N231-14-746	1400A -1	1 - E 5	N231-15-332A	1500A -1	1 - H 5
8712-13-531	1350AA-1	1 - H 4	N304-13-760B	1380AA-1	1 - C 5	0839-14-274	1040A -2	1 - F 3	N304-14-750D	1500AA-1	1 - I 5	N231-15-332A	1500AA-1	1 - I 5
N304-13-540C	1350AA-1	1 - H 4	N304-13-761A	1380AA-1	1 - C 5	0730-14-296	1400A -1	1 - E 5	8871-14-810	1500AA-1	1 - I 5	1052-15-350B	1500A -1	1 - H 5
N304-13-583B	1380AA-1	1 - C 5	N304-13-770A	1380AA-2	1 - D 5	86Y1-14-302	1400A -1	1 - E 5	N201-14-820	6600A -1	2 - D 9	N304-15-350A	1500AA-1	1 - I 5
N304-13-584A	1380AA-1	1 - C 5	N304-13-772	1380AA-2	1 - D 5	86Y1-14-302	1400AA-2	1 - G 5	1757-14-821	1500AA-1	1 - I 5	8871-15-351A	1500A -1	1 - H 5
N304-13-585B	1380AA-1	1 - C 5	N304-13-773	1330AA-1	1 - F 4	N3Y6-14-302	1400A -1	1 - E 5	1757-14-822	1500AA-1	1 - I 5	1052-15-355A	1500A -1	1 - H 5
N304-13-587B	1380AA-1	1 - C 5	N304-13-775B	1380AA-2	1 - D 5	N3Y6-14-302	1400AA-2	1 - G 5	8872-15-C101	1500A -1	1 - H 5	N304-15-355A	1500A -2	1 - J 5
N304-13-590A	1380AA-1	1 - C 5	0107-13-781	1360A -1	1 - J 4	8341-14-310	1400AA-1	1 - F 5	8AF1-15-010	1500AA-1	1 - I 5	N304-15-400D	1500AA-1	1 - I 5
N249-13-600B	1310A -1	1 - K 3	8871-13-785C	1320A -1	1 - M 3	N246-14-600	1400AA-1	1 - F 5	8872-15-103	1500A -1	1 - H 5	N249-15-401C	1500A -1	1 - H 5
N304-13-600B	1310AA-1	1 - L 3	N249-13-785A	1380A -1	1 - N 4	N249-14-600	1400A -1	1 - E 5	N304-15-103	1500AA-1	1 - I 5	N304-15-411B	1500AA-2	1 - J 5
1480-13-621	1310A -1	1 - K 3	N304-13-785A	1320AA-1	1 - C 4	N236-14-602A	1400AA-1	1 - F 5	1757-15-105A	1500A -1	1 - H 5	N304-15-412A	1500AA-2	1 - J 5
1480-13-621	1310AA-1	1 - L 3	N236-13-790B	1320AA-1	1 - C 4	N236-14-603B	1400AA-1	1 - F 5	1757-15-105A	1500AA-1	1 - I 5	N231-15-511	1500A -1	1 - H 5
1480-13-621	4000A -2	1 - M10	1757-13-857	1310A -1	1 - K 3	N236-14-604	1400AA-1	1 - F 5	1757-15-106	1500A -1	1 - H 5	N304-15-511	1500AA-1	1 - I 5
N249-13-650B	1380A -1	1 - N 4	1757-13-857	1310AA-1	1 - L 3	N304-14-606	1400AA-1	1 - F 5	1757-15-106	1500AA-1	1 - I 5	N231-15-521C	1500A -1	1 - H 5
N304-13-650C	1380AA-1	1 - C 5	1480-13-889A	1310A -1	1 - K 3	N304-14-607	1400AA-1	1 - F 5	E301-15-120	1500A -1	1 - H 5	N304-15-521B	1500AA-1	1 - I 5
N304-13-705B	1380AA-1	1 - C 5	N304-13-889	1310AA-1	1 - L 3	N304-14-608	1400AA-1	1 - F 5	E301-15-120	1500AA-1	1 - I 5	N231-15-530A	1500A -1	1 - H 5
N304-13-707	1380AA-1	1 - C 5	1700-13-945A	1380A -1	1 - N 4	N304-14-609	1400AA-1	1 - F 5	N304-15-125	1500A -1	1 - H 5	N231-15-540B	1500A -1	1 - H 5
N304-13-708A	1380AA-1	1 - C 5	1700-13-945A	1380AA-2	1 - D 5	1757-14-611	1400A -1	1 - E 5	N304-15-125	1500AA-1	1 - I 5	N231-15-543	1500A -1	1 - H 5
1757-13-710B	1371A -1	1 - L 4	8140-13-945	1380AA-2	1 - D 5	N304-14-616	1400AA-1	1 - F 5	1757-15-132	1500A -1	1 - H 5	N231-15-545A	6100A -1	2 - H 7
N304-13-710	1371AA-1	1 - M 4	N231-13-980	1380A -1	1 - N 4	N304-14-617A	1400AA-1	1 - F 5	1757-15-132	1500AA-1	1 - I 5	N231-15-550	6100A -1	2 - H 7
1757-13-714	1371A -1	1 - L 4	N304-13-980A	1320AA-1	1 - C 4	0820-14-620A	1400A -1	1 - E 5	1757-15-151B	1500A -1	1 - H 5	8553-15-610B	6600A -1	2 - D 9
N304-13-714A	1371AA-1	1 - M 4	N326-13-A66	1350AA-1	1 - H 4	0820-14-620A	1400AA-1	1 - F 5	1757-15-151B	1500AA-1	1 - I 5	8553-15-611	6600A -1	2 - D 9
1757-13-715	1371A -1	1 - L 4	8AF1-13-SGY	1380AA-1	1 - C 5	0813-14-623	1400A -1	1 - E 5	N232-15-152	1500A -1	1 - H 5	8248-15-620	6600A -1	2 - D 9
1757-13-715	1580A -1	1 - K 5	8553-14-100	1400A -1	1 - E 5	0813-14-623	1400AA-1	1 - F 5	N232-15-152	1500AA-1	1 - I 5	N249-15-068	6140B -2	2 - E 8
N304-13-715	1371AA-1	1 - M 4	8553-14-100	1400AA-1	1 - F 5	0820-14-625A	1400A -1	1 - E 5	8872-15-170A	1500A -1	1 - H 5	N249-15-907A	1580A -1	1 - K 5

PART NUMBER INDEX

PART NUMBER	SECTION	LOCATION	PART NUMBER	SECTION	LOCATION	PART NUMBER	SECTION	LOCATION	PART NUMBER	SECTION	LOCATION	PART NUMBER	SECTION	LOCATION
N249-15-908B	1580A -1	1 - K 5	F401-17-265A	1710A -1	1 - C 6	0103-17-411	1720A -1	1 - G 6	0862-17-642A	1710A -3	1 - E 6	8871-18-810A	1800A -1	1 - H 6
N249-15-925C	1580A -1	1 - K 5	M501-17-271	1710A -1	1 - C 6	M503-17-411	1720A -1	1 - G 6	0862-17-643A	1710A -3	1 - E 6	N304-18-811A	6600A -1	2 - D 9
N249-15-925C	6140B -2	2 - E 8	M506-17-271B	1710A -1	1 - C 6	M501-17-412	1720A -1	1 - G 6	0862-17-644A	1710A -3	1 - E 6	N237-18-821A	6600A -1	2 - D 9
N249-15-927A	1580A -1	1 - K 5	0259-17-274A	1710A -1	1 - C 6	M503-17-421	1720A -1	1 - G 6	M501-17-651	1710A -3	1 - E 6	8574-18-840	6600A -1	2 - D 9
N249-15-932A	1580A -1	1 - K 5	8540-17-275A	1710A -1	1 - C 6	M501-17-422	1720A -1	1 - G 6	M501-17-652	1710A -4	1 - F 6	N236-18-845A	6600A -1	2 - D 9
N249-15-933	1580A -1	1 - K 5	0259-17-276	1710A -1	1 - C 6	M505-17-431A	1720A -1	1 - G 6	M501-17-653	1710A -3	1 - E 6	8341-18-861C	1800A -1	1 - H 6
N249-15-940	1580A -1	1 - K 5	0259-17-277	1710A -1	1 - C 6	M501-17-432	1720A -1	1 - G 6	M501-17-654	1710A -3	1 - E 6	N304-18-861	6600A -1	2 - D 9
N249-15-942	1580A -1	1 - K 5	0259-17-278	1710A -1	1 - C 6	8057-17-441C	1700A -1	1 - M 5	M501-17-655	1710A -3	1 - E 6	8156-18-863B	1500A -1	1 - H 5
1757-15-966	1580A -1	1 - K 5	0259-17-279	1710A -2	1 - D 6	8057-17-441C	1920A -1	1 - C 7	W501-17-724	1710A -4	1 - F 6	8341-18-880	6600A -1	2 - D 9
0603-16-102B	1600A -1	1 - L 5	M501-17-281B	1710A -2	1 - D 6	1011-17-442A	1700A -1	1 - M 5	W501-17-732A	1710A -4	1 - F 6	N304-18-881R	6600A -1	2 - D 9
0603-16-103	1600A -1	1 - L 5	4069-17-283A	1710A -1	1 - C 6	1011-17-442A	1920A -1	1 - C 7	N249-18-051G	6701A -1	2 - F10	HE21-18-885A	6600A -1	2 - D 9
N204-16-145	1600A -1	1 - L 5	4069-17-284E	1710A -2	1 - D 6	1011-17-443	1700A -1	1 - M 5	N304-18-051E	6701A -1	2 - F10	N304-18-885B	6600A -1	2 - D 9
N206-16-150	1600A -1	1 - L 5	0419-17-288	1710A -2	1 - D 6	1011-17-443	1920A -1	1 - C 7	8341-18-055	6701A -1	2 - F10	N304-18-886	6600A -1	2 - D 9
3975-16-214A	1600A -1	1 - L 5	0419-17-291	1710A -2	1 - D 6	M503-17-450	1720A -1	1 - G 6	8872-18-056	6701A -1	2 - F10	N233-18-890	6600A -1	2 - D 9
8540-16-220D	1600A -1	1 - L 5	0419-17-292	1710A -2	1 - D 6	M501-17-461A	1720A -1	1 - G 6	0000-18-097B	1800A -1	1 - H 6	1480-18-910B	6600A -1	2 - D 9
N204-16-220A	1600A -1	1 - L 5	0419-17-293	1710A -2	1 - D 6	M501-17-465B	1720A -1	1 - G 6	0000-18-097B	1800A -1	1 - H 6	N236-18-911	6600A -1	2 - D 9
8540-16-225	1600A -1	1 - L 5	M502-17-295C	1710A -1	1 - C 6	M505-17-470E	1720A -1	1 - G 6	1480-18-100	1800A -1	1 - H 6	1480-18-912B	6600A -1	2 - D 9
0249-16-232	1600A -1	1 - L 5	M502-17-297A	1710A -2	1 - D 6	M501-17-474	1720A -1	1 - G 6	8245-18-100	1830A -1	1 - H 6	N304-18-912	6600A -1	2 - D 9
1416-16-232A	1600A -1	1 - L 5	M502-17-298A	1710A -1	1 - C 6	M501-17-475	1720A -1	1 - G 6	8871-18-106C	1800A -1	1 - H 6	N249-18-941D	6600A -1	2 - D 9
8540-16-241A	1600A -1	1 - L 5	M502-17-299A	1710A -2	1 - D 6	M502-17-476A	1720A -1	1 - G 6	8245-18-107	1800A -1	1 - H 6	N250-18-941C	6600A -1	2 - D 9
N203-16-410A	1600A -1	1 - L 5	M505-17-300C	1710A -2	1 - D 6	M501-17-477	1720A -1	1 - G 6	8AF2-18-110A-BP	1800A -1	1 - H 6	8182-18-970A	6600A -1	2 - D 9
N304-16-410	1600A -1	1 - L 5	M508-17-301D	1710A -2	1 - D 6	M501-17-480A	1720A -1	1 - G 6	N304-18-110A	1800A -1	1 - H 6	1820-18-994	1800A -1	1 - H 6
0839-16-432	1600A -1	1 - L 5	8086-17-302C	1710A -2	1 - D 6	8599-17-482	1720A -1	1 - G 6	3648-18-111A	1800A -1	1 - H 6	FE65-18-W25	1830A -1	1 - J 6
N203-16-460B	1600A -1	1 - L 5	M502-17-302B	1710A -2	1 - D 6	M505-17-482	1720A -1	1 - G 6	N249-18-111	1800A -1	1 - H 6	E356-18-W35	1830A -1	1 - J 6
N303-16-460	1600A -1	1 - L 5	M501-17-303	1710A -2	1 - D 6	0824-17-483	1720A -1	1 - G 6	N304-18-111A	1800A -1	1 - H 6	B612-18-W36	1830A -1	1 - J 6
H606-16-510A	1600A -1	1 - L 5	8086-17-304A	1710A -2	1 - D 6	M501-17-486	1720A -1	1 - G 6	0820-18-114	1800A -1	1 - H 6	E356-18-W45	1830A -1	1 - J 6
8540-16-520A	1600A -1	1 - L 5	M501-17-304C	1710A -2	1 - D 6	M501-17-485A	1720A -1	1 - G 6	N304-18-120A	1800A -1	1 - H 6	FE65-18-W50A	1830A -1	1 - J 6
N204-16-520	1600A -1	1 - L 5	M504-17-304	1710A -2	1 - D 6	M501-17-490B	1720A -1	1 - G 6	1480-18-130B	1800A -1	1 - H 6	FE65-18-W60A	1830A -1	1 - J 6
M503-17-100A	1700A -1	1 - M 5	0839-17-305B	1710A -2	1 - D 6	0183-17-491	1720A -1	1 - G 6	N304-18-160A	1800A -1	1 - H 6	E356-18-W70	1830A -1	1 - J 6
M503-17-100B	1700A -1	1 - M 5	R502-17-306A	1710A -2	1 - D 6	M501-17-510E	1720A -1	1 - G 6	1480-18-170B	1800A -1	1 - H 6	BU02-19-020B	1910A -1	1 - N 6
M511-17-100A	1700A -1	1 - M 5	M502-17-308A	1710A -2	1 - D 6	M507-17-520	1720A -1	1 - G 6	8871-18-180A	1800A -1	1 - H 6	0842-19-025	1910A -1	1 - N 6
M511-17-100B	1700A -1	1 - M 5	M504-17-308	1710A -2	1 - D 6	M507-17-520 10	1720A -1	1 - G 6	N249-18-200A	1820A -1	1 - I 6	BU02-19-027	1910A -1	1 - N 6
M511-17-100C	1700A -1	1 - M 5	M505-17-308	1710A -2	1 - D 6	M507-17-520 65	1720A -1	1 - G 6	N304-18-200B	1820A -1	1 - I 6	BU02-19-028B	1910A -1	1 - N 6
0810-17-121	1700A -1	1 - M 5	M507-17-308	1710A -2	1 - D 6	M507-17-520 78	1720A -1	1 - G 6	N304-18-211	6600A -1	2 - D 9	BU06-19-031	1950A -1	1 - H 7
8086-17-140A	1710A -2	1 - D 6	M501-17-309	1710A -2	1 - D 6	M502-17-524	1720A -1	1 - G 6	0107-18-216A	1820A -1	1 - I 6	3649-19-064A	1910A -1	1 - N 6
M506-17-201	1710A -1	1 - C 6	8086-17-310C	1710A -2	1 - D 6	0884-17-530	1700A -1	1 - M 5	N304-18-300R	1830A -1	1 - J 6	BU16-19-090C	1910A -1	1 - N 6
M515-17-201A	1710A -1	1 - C 6	M504-17-310C	1710A -2	1 - D 6	M501-17-550A	1700A -1	1 - M 5	N245-18-311B	1800A -1	1 - H 6	BU06-19-100A	1910A -1	1 - N 6
M503-17-204	1710A -1	1 - C 6	0118-17-313B	1720A -1	1 - G 6	M502-17-611A	1710A -3	1 - E 6	N304-18-315A	6701A -1	2 - F10	BU02-19-211C	1910A -1	1 - N 6
0249-17-210B	1710A -1	1 - C 6	M501-17-313	1710A -2	1 - D 6	M509-17-611	1710A -3	1 - E 6	1881-18-361A	1800A -1	1 - H 6	BU01-19-215	1910A -1	1 - N 6
M501-17-210	1710A -1	1 - C 6	4077-17-314A	1710A -2	1 - D 6	M510-17-611	1710A -3	1 - E 6	8311-18-381A	1580A -1	1 - K 5	BU01-19-216	1910A -1	1 - N 6
M502-17-221	1710A -1	1 - C 6	4077-17-315A	1710A -2	1 - D 6	M512-17-611	1710A -3	1 - E 6	8311-18-381A	1800A -1	1 - H 6	BU16-19-220A	1910A -1	1 - N 6
M502-17-221A	1710A -1	1 - C 6	4077-17-316	1710A -2	1 - D 6	3648-17-626	1710A -3	1 - E 6	N221-18-400R	1840A -1	1 - K 6	0338-19-223A	1910A -1	1 - N 6
M505-17-221	1710A -1	1 - C 6	8086-17-326	1700A -1	1 - M 5	8601-17-629	1710A -3	1 - E 6	N250-18-400R	1840A -1	1 - K 6	BU16-19-240A	1910A -1	1 - N 6
M505-17-221A	1710A -1	1 - C 6	0305-17-327	1710A -3	1 - E 6	0884-17-632A	1710A -3	1 - E 6	N235-18-401	1800A -1	1 - H 6	0338-19-255	1910A -1	1 - N 6
0317-17-225	1710A -1	1 - C 6	0305-17-328	1710A -3	1 - E 6	0884-17-632B	1710A -3	1 - E 6	N250-18-401A	1800A -1	1 - H 6	BU01-19-256	1920A -1	1 - C 7
M503-17-231C	1710A -1	1 - C 6	M503-17-330	1700A -1	1 - M 5	0884-17-633A	1710A -3	1 - E 6	N250-18-402	1800A -1	1 - H 6	BU01-19-257	1920A -1	1 - C 7
F401-17-242A	1710A -1	1 - C 6	0437-17-335A	1700A -1	1 - M 5	0884-17-633B	1710A -3	1 - E 6	8569-18-510A	6600A -1	2 - D 9	0338-19-258	1910A -1	1 - N 6
F401-17-243A	1710A -1	1 - C 6	0437-17-335A	1920A -1	1 - C 7	0884-17-634A	1710A -3	1 - E 6	N201-18-600	1800A -1	1 - H 6	BU06-19-310	1920A -1	1 - C 7
M501-17-245	1710A -1	1 - C 6	3728-17-341A	1710A -3	1 - E 6	0884-17-634B	1710A -3	1 - E 6	N203-18-600	1800A -1	1 - H 6	0338-19-331A	1920A -1	1 - C 7
M503-17-251D	1710A -1	1 - C 6	3728-17-341A	1940A -1	1 - G 7	0884-17-635A	1710A -3	1 - E 6	N242-18-701	6600A -1	2 - D 9	BU01-19-332A	1920A -1	1 - C 7
M508-17-261A	1710A -1	1 - C 6	0114-17-351	1720A -1	1 - G 6	0884-17-635B	1710A -3	1 - E 6	N304-18-701A	6600A -1	2 - D 9	0338-19-336	1920A -1	1 - C 7
M509-17-261A	1710A -1	1 - C 6	M501-17-402B	1720A -1	1 - G 6	1391-17-640	6600A -1	2 - D 9	N249-18-761	4000A -1	1 - L10	0338-19-337	1920A -1	1 - C 7
M510-17-261	1710A -2	1 - D 6	M501-17-404B	1720A -1	1 - G 6	8118-17-640B	6600A -1	2 - D 9	8173-18-762	5530A -1	2 - G 5	0338-19-338	1920A -1	1 - C 7
M501-17-262B	1710A -1	1 - C 6	M501-17-406A	1720A -1	1 - G 6	8130-17-640C	6600A -1	2 - D 9	8131-18-763	4000A -1	1 - L10	0397-19-340	1920A -1	1 - C 7
F402-17-264	1710A -1	1 - C 6	0014-17-411	1720A -1	1 - G 6	0862-17-641A	1710A -3	1 - E 6	N252-18-785B	6600A -1	2 - D 9	0338-19-360B	1930A -1	1 - E 7

PART NUMBER INDEX

PART NUMBER	SECTION	LOCATION	PART NUMBER	SECTION	LOCATION	PART NUMBER	SECTION	LOCATION	PART NUMBER	SECTION	LOCATION	PART NUMBER	SECTION	LOCATION
0338-19-361B	1920A -1	1 - C 7	1758-19-511	1930A -1	1 - E 7	0338-19-648	1930A -2	1 - F 7	N304-20-237A	1320AA-1	1 - C 4	BU01-21-665	1910A -1	1 - N 6
BU06-19-363	1920A -1	1 - C 7	0338-19-530	1930A -1	1 - E 7	0842-19-650	1940A -1	1 - G 7	N304-20-308	1380AA-2	1 - D 5	BU01-21-666	1910A -1	1 - N 6
0842-19-381	1920A -1	1 - C 7	0338-19-531	1930A -1	1 - E 7	0338-19-655	1940A -1	1 - G 7	8574-20-309	1380A -1	1 - N 4	BU01-21-677	1910A -1	1 - N 6
3959-19-381	1920A -1	1 - C 7	0338-19-533A	1930A -1	1 - E 7	0436-19-656	1930A -2	1 - F 7	HE01-20-309	1320AA-1	1 - C 4	BU01-21-678	1910A -1	1 - N 6
0338-19-384	1920A -1	1 - C 7	BU03-19-533	1930A -1	1 - E 7	0842-19-660	1940A -1	1 - G 7	N304-20-500B	1320AA-2	1 - D 4	BU01-21-679	1930A -2	1 - F 7
3959-19-384	1920A -1	1 - C 7	0338-19-534	1930A -1	1 - E 7	0338-19-663	1940A -1	1 - G 7	N304-20-502A	1320AA-2	1 - D 4	0398-22-330	1700A -1	1 - M 5
0338-19-385A	1920A -1	1 - C 7	BU03-19-534	1930A -1	1 - E 7	0338-19-664	1940A -1	1 - G 7	N304-20-503A	1320AA-2	1 - D 4	1757-23-040B	1000A -1	1 - C 3
0842-19-385	1920A -1	1 - C 7	0338-19-540	1930A -1	1 - E 7	0842-19-665	1940A -1	1 - G 7	E508-20-523	1310A -1	1 - K 3	N307-23-040	1000A -1	1 - C 3
0338-19-386A	1920A -1	1 - C 7	0338-19-550	1930A -1	1 - E 7	0338-19-666	1940A -1	1 - G 7	E508-20-524	1310AA-1	1 - L 3	N225-23-103	1110A -1	1 - H 3
0338-19-388A	1920A -1	1 - C 7	0338-19-560	1930A -1	1 - E 7	0338-19-667	1940A -1	1 - G 7	E508-20-524	4000A -1	1 - L10	N304-23-103	1110A -1	1 - H 3
0338-19-389	1920A -1	1 - C 7	0338-19-565	1930A -1	1 - E 7	BU06-19-670	1940A -1	1 - G 7	N231-20-610	1320A -1	1 - M 3	N225-23-113	1110A -1	1 - H 3
BU01-19-391	1920A -1	1 - C 7	0338-19-566	1930A -1	1 - E 7	0338-19-676	1940A -1	1 - G 7	N231-20-610	1320AA-1	1 - C 4	1011-23-151A	1110A -1	1 - H 3
1758-19-392A	1920A -1	1 - C 7	0338-19-567	1930A -2	1 - F 7	0338-19-701A	1950A -1	1 - H 7	N304-20-611A	1320A -1	1 - M 3	8871-23-180	1110A -1	1 - H 3
0842-19-394	1920A -1	1 - C 7	0338-19-570	1930A -2	1 - F 7	0338-19-702A	1950A -1	1 - H 7	N304-20-611A	1320AA-1	1 - C 4	N304-23-301	1330AA-1	1 - F 4
1758-19-394A	1920A -1	1 - C 7	0338-19-580	1940A -1	1 - G 7	0338-19-703	1950A -1	1 - H 7	N249-20-725	1371A -1	1 - L 4	N249-23-310	1360A -1	1 - J 4
0338-19-395	1920A -1	1 - C 7	0338-19-581	1940A -1	1 - G 7	0338-19-704	1950A -1	1 - H 7	N250-20-725	1371A -1	1 - L 4	N249-23-313	1360A -1	1 - J 4
1758-19-397	1920A -1	1 - C 7	0338-19-590	1940A -1	1 - G 7	0338-19-706	1950A -1	1 - H 7	N304-20-725	1371AA-1	1 - M 4	0730-23-318	1360A -1	1 - J 4
0338-19-398	1920A -1	1 - C 7	0338-19-591	1940A -1	1 - G 7	BU06-19-710	1920A -1	1 - C 7	N249-20-770	1380A -1	1 - N 4	N249-23-326	1360A -1	1 - J 4
0338-19-398	1940A -1	1 - G 7	0338-19-593	1940A -1	1 - G 7	0338-19-731	1950A -1	1 - H 7	N201-20-771	1380A -1	1 - N 4	N201-23-327	1360A -1	1 - J 4
0338-19-431	1950A -1	1 - H 7	0330-19-594	1940A -1	1 - G 7	0338-19-732	1950A -1	1 - H 7	1480-20-950A	1380A -1	1 - N 4	N201-23-328	1360A -1	1 - J 4
0338-19-432	1950A -1	1 - H 7	0338-19-595	1940A -1	1 - G 7	0338-19-733C	1950A -1	1 - H 7	1480-20-950A	1380AA-2	1 - D 5	N201-23-329	1360A -1	1 - J 4
0338-19-433A	1950A -1	1 - H 7	0338-19-596	1940A -1	1 - G 7	0338-19-734A	1950A -1	1 - H 7	BU01-21-212	1920A -2	1 - D 7	N249-23-330	1360A -1	1 - J 4
0338-19-440	1950A -1	1 - H 7	0338-19-598	1930A -2	1 - F 7	0338-19-735	1920A -1	1 - C 7	BU10-21-250	1920A -2	1 - D 7	N250-23-330	1360A -1	1 - J 4
0338-19-443	1950A -1	1 - H 7	BT08-19-600	1940A -1	1 - G 7	0338-19-737	1920A -1	1 - C 7	BU01-21-253	1920A -2	1 - D 7	8826-23-338	1360A -1	1 - J 4
BU06-19-444B	6600A -1	2 - D 9	0338-19-603	1940A -1	1 - G 7	0338-19-739	1920A -1	1 - C 7	BU01-21-255	1920A -2	1 - D 7	3743-23-340	1360A -1	1 - J 4
0338-19-446	1950A -1	1 - H 7	0338-19-604	1940A -1	1 - G 7	BU16-19-750A	1920A -1	1 - C 7	BU10-21-271	1920A -2	1 - D 7	8341-23-349	1360A -1	1 - J 4
0338-19-449	1950A -1	1 - H 7	0338-19-606	1940A -1	1 - G 7	0338-19-768	1920A -1	1 - C 7	BU01-21-272A	1920A -2	1 - D 7	N249-23-350	1360A -1	1 - J 4
0338-19-450A	1950A -1	1 - H 7	0338-19-607	1940A -1	1 - G 7	BU01-19-815	1920A -1	1 - C 7	BU01-21-273	1920A -2	1 - D 7	8980-23-354	1360A -1	1 - J 4
3959-19-460A	1930A -1	1 - E 7	0338-19-609	1940A -1	1 - G 7	BU02-19-821	6600A -1	2 - D 9	BU01-21-274	1920A -2	1 - D 7	0222-23-355B	1360A -1	1 - J 4
3959-19-470A	1930A -1	1 - E 7	0338-19-610A	1940A -1	1 - G 7	0338-19-822	1920A -1	1 - C 7	BU10-21-275	1920A -2	1 - D 7	0305-23-356	1360A -1	1 - J 4
0338-19-475	1930A -1	1 - E 7	1758-19-613	1940A -1	1 - G 7	BT07-19-823	1920A -2	1 - D 7	BU01-21-277	1920A -2	1 - D 7	8980-23-357	1360A -1	1 - J 4
0338-19-476	1930A -1	1 - E 7	1758-19-614	1940A -1	1 - G 7	FT01-19-824	1920A -2	1 - D 7	BU01-21-291A	6600A -2	2 - E 9	N201-23-360	1360A -1	1 - J 4
0338-19-480	1930A -1	1 - E 7	1758-19-615	1940A -1	1 - G 7	0338-19-825	1920A -2	1 - D 7	BU01-21-292	6600A -2	2 - E 9	N201-23-361	1360A -1	1 - J 4
0338-19-486	1930A -1	1 - E 7	1758-19-616	1940A -1	1 - G 7	0338-19-826	1920A -2	1 - D 7	BU01-21-293A	6600A -2	2 - E 9	N231-23-370	1360A -1	1 - J 4
0338-19-487	1930A -1	1 - E 7	1758-19-617	1940A -1	1 - G 7	0338-19-827	1920A -2	1 - D 7	BU01-21-294	6600A -2	2 - E 9	N201-23-371	1360A -1	1 - J 4
0338-19-488	1930A -1	1 - E 7	1758-19-618	1940A -1	1 - G 7	0338-19-829	1920A -2	1 - D 7	BU01-21-295	6600A -2	2 - E 9	N201-23-380	1360A -1	1 - J 4
BU17-19-498	1930A -1	1 - E 7	0338-19-619	1940A -1	1 - G 7	0338-19-831	1920A -2	1 - D 7	BU05-21-320A	1920A -2	1 - D 7	N249-23-390	1360A -1	1 - J 4
0338-19-499	1930A -1	1 - E 7	0338-19-621	1930A -2	1 - F 7	0338-19-832	1920A -2	1 - D 7	BU01-21-322	1920A -2	1 - D 7	3744-23-391	1360A -1	1 - J 4
BU17-19-500A	1930A -1	1 - E 7	0338-19-622	1930A -2	1 - F 7	0338-19-833	1920A -2	1 - D 7	BU01-21-386	1920A -2	1 - D 7	1663-23-392	1360A -1	1 - J 4
1758-19-503	1930A -1	1 - E 7	0338-19-623A	1930A -2	1 - F 7	0338-19-835B	1920A -2	1 - D 7	BU01-21-391	1920A -2	1 - D 7	0823-23-394	1360A -2	1 - K 4
3959-19-503	1930A -1	1 - E 7	0338-19-624	1930A -2	1 - F 7	0338-19-836A	1920A -2	1 - D 7	BU01-21-395	1920A -2	1 - D 7	8871-23-401	1360A -1	1 - J 4
1758-19-504	1930A -1	1 - E 7	0338-19-631	1930A -2	1 - F 7	0338-19-837	1920A -2	1 - D 7	BU03-21-510	1930A -2	1 - F 7	0823-23-402A	1360A -1	1 - J 4
3959-19-504	1930A -1	1 - E 7	0338-19-632	1930A -2	1 - F 7	1758-19-838	1950A -1	1 - H 7	BU03-21-520	1930A -2	1 - F 7	3824-23-409	1360A -1	1 - J 4
1758-19-505	1930A -1	1 - E 7	0338-19-633	1930A -2	1 - F 7	BU06-19-870	1920A -2	1 - D 7	BU03-21-531	1930A -2	1 - F 7	8871-23-409A	1360A -1	1 - J 4
3959-19-505	1930A -1	1 - E 7	0338-19-634	1930A -2	1 - F 7	BU06-19-880	1920A -2	1 - D 7	BU03-21-540	1930A -2	1 - F 7	N231-23-420	1360A -2	1 - K 4
1758-19-506	1930A -1	1 - E 7	0338-19-635	1930A -2	1 - F 7	0338-19-904A	1910A -1	1 - N 6	BU03-21-560	1930A -2	1 - F 7	1955-23-421	1360A -1	1 - J 4
3959-19-506	1930A -1	1 - E 7	0338-19-636	1930A -2	1 - F 7	BU11-19-910	1910A -1	1 - N 6	BU03-21-565	1930A -2	1 - F 7	N202-23-421	1360A -1	1 - J 4
1758-19-507	1930A -1	1 - E 7	0338-19-639	1930A -2	1 - F 7	0436-19-917	1910A -1	1 - N 6	BU03-21-567	1930A -2	1 - F 7	N201-23-423	1360A -2	1 - K 4
3959-19-507	1930A -1	1 - E 7	0338-19-641	1930A -2	1 - F 7	BU06-19-920A	1910A -1	1 - N 6	BU01-21-631	1930A -2	1 - F 7	N202-23-423	1360A -2	1 - K 4
BU07-19-507	1930A -1	1 - E 7	0338-19-642	1930A -2	1 - F 7	BU06-19-930A	1910A -1	1 - N 6	BU01-21-632	1930A -2	1 - F 7	8871-23-424	1360A -2	1 - K 4
1758-19-508	1930A -1	1 - E 7	0338-19-643	1930A -2	1 - F 7	BU06-19-934	1910A -1	1 - N 6	BU01-21-633	1930A -2	1 - F 7	3743-23-425	1360A -1	1 - J 4
3959-19-508	1930A -1	1 - E 7	0338-19-644	1930A -2	1 - F 7	1098-19-939	1910A -1	1 - N 6	BU01-21-634	1930A -2	1 - F 7	N201-23-426	1360A -1	1 - J 4
0338-19-509	1930A -1	1 - E 7	0338-19-645	1930A -2	1 - F 7	BU06-19-940	1910A -1	1 - N 6	BU01-21-635	1930A -2	1 - F 7	N231-23-430	1360A -2	1 - K 4
3959-19-509	1930A -1	1 - E 7	0338-19-646	1930A -2	1 - F 7	BU01-19-941	1910A -1	1 - N 6	BU01-21-636	1930A -2	1 - F 7	8649-23-434	1360A -2	1 - K 4
BU07-19-510	1930A -1	1 - E 7	0338-19-647	1930A -2	1 - F 7	AT09-19-961	1910A -1	1 - N 6	BU01-21-660A	1910A -1	1 - N 6	N201-23-440	1360A -2	1 - K 4

PART NUMBER INDEX

PART NUMBER	SECTION	LOCATION	PART NUMBER	SECTION	LOCATION	PART NUMBER	SECTION	LOCATION	PART NUMBER	SECTION	LOCATION	PART NUMBER	SECTION	LOCATION
2090-23-452	1360A -2	1 - K 4	FE65-24-526	1830A -1	1 - J 6	0259-26-051	2600A -1	1 - D 9	0223-27-012	2700AA-1	1 - I 9	0290-27-302	2700AA-1	1 - I 9
N201-23-460	1360A -1	1 - J 4	N304-24-530	1830A -1	1 - J 6	0866-26-060	2600A -1	1 - D 9	0223-27-030	2700A -1	1 - G 9	0221-27-350	2700A -1	1 - G 9
N201-23-480	1360A -2	1 - K 4	N304-24-530A	1830A -1	1 - J 6	FA54-26-111	2600A -1	1 - D 9	0223-27-030	2700AA-1	1 - I 9	0221-27-350	2700AA-1	1 - I 9
3743-23-488	1360A -1	1 - J 4	8028-24-533	1830A -1	1 - J 6	FA66-26-111	2600A -1	1 - D 9	M062-27-100	2700A -1	1 - G 9	0223-27-401A	2700A -1	1 - G 9
N201-23-490	1360A -2	1 - K 4	FE65-24-535	1830A -1	1 - J 6	8595-26-113	2600A -1	1 - D 9	M090-27-100B	2700AA-1	1 - I 9	0223-27-401A	2700AA-1	1 - I 9
N251-23-491	1360A -2	1 - K 4	FE65-24-540	1830A -1	1 - J 6	8595-26-113	3300A -1	1 - E10	M090-27-100C	2700AA-1	1 - I 9	0223-27-402A	2700A -1	1 - G 9
N201-23-492	1360A -2	1 - K 4	FE65-24-550	1830A -1	1 - J 6	8595-26-113	3700A -1	1 - H10	M098-27-100	2700AA-1	1 - I 9	0223-27-402A	2700AA-1	1 - I 9
N201-23-500A	1360A -2	1 - K 4	FE65-24-560	1830A -1	1 - J 6	FA58-26-130	2610AA-1	1 - F 9	8051-27-110D	2700A -1	1 - G 9	0223-27-403A	2700A -1	1 - G 9
N201-23-501	1360A -2	1 - K 4	N221-24-701	1840A -1	1 - K 6	FA66-26-130	2610AA-1	1 - F 9	8051-27-110D	2700AA-1	1 - I 9	0223-27-403A	2700AA-1	1 - I 9
N201-23-502A	1360A -2	1 - K 4	N202-24-705	1840A -1	1 - K 6	3728-26-132	2610A -1	1 - E 9	M037-27-110B	2700AA-1	1 - I 9	0223-27-404A	2700A -1	1 - G 9
N201-23-503	1360A -2	1 - K 4	N221-24-705	1840A -1	1 - K 6	3728-26-132	2610AA-1	1 - F 9	M050-27-110C	2700A -1	1 - G 9	0223-27-404A	2700AA-1	1 - I 9
1570-23-507	1360A -1	1 - J 4	N202-24-709	1840A -1	1 - K 6	FA58-26-140	2610AA-1	1 - F 9	M050-27-110C	2700AA-1	1 - I 9	0223-27-405A	2700A -1	1 - G 9
2183-23-508	1360A -1	1 - J 4	N221-24-709	1840A -1	1 - K 6	FA66-26-140	2610AA-1	1 - F 9	M090-27-110A	2700AA-1	1 - I 9	0223-27-405A	2700AA-1	1 - I 9
N201-23-509	1360A -2	1 - K 4	N221-24-710	1840A -1	1 - K 6	8595-26-151	2600A -1	1 - D 9	M005-27-120A	2700A -1	1 - G 9	0223-27-406A	2700A -1	1 - G 9
N201-23-510	1359A -1	1 - I 4	N250-24-710A	1840A -1	1 - K 6	8545-26-152	2600A -1	1 - D 9	M005-27-120D	2700AA-1	1 - I 9	0223-27-406A	2700AA-2	1 - J 9
8871-23-530	1360A -1	1 - J 4	0426-24-712A	1840A -1	1 - K 6	1011-26-154	2600A -1	1 - D 9	0820-27-150C	2700A -1	1 - G 9	0223-27-407A	2700A -1	1 - G 9
1372-23-615	1330AA-1	1 - F 4	N202-24-712	1840A -1	1 - K 6	FA66-26-155	2600A -1	1 - D 9	0820-27-150C	2700AA-1	1 - I 9	0223-27-407A	2700AA-2	1 - J 9
1372-23-616	1330AA-1	1 - F 4	N221-24-715	1840A -1	1 - K 6	0603-26-161	3700A -1	1 - H10	0820-27-150D	2700A -1	1 - G 9	0223-27-408A	2700A -1	1 - G 9
N201-23-652	1359A -1	1 - I 4	N250-24-716	1840A -1	1 - K 6	FA01-26-251	2610A -1	1 - E 9	0820-27-150D	2700AA-1	1 - I 9	0223-27-408A	2700AA-2	1 - J 9
0107-23-657	1360A -2	1 - K 4	N202-24-720	1840A -1	1 - K 6	FA18-26-251	2610AA-1	1 - F 9	M005-27-165	2700A -1	1 - G 9	0223-27-409A	2700A -1	1 - G 9
8341-23-672	1330A -1	1 - E 4	N202-24-721	1840A -1	1 - K 6	FA66-26-251	2610AA-1	1 - F 9	M005-27-165	2700AA-1	1 - I 9	0223-27-409A	2700AA-2	1 - J 9
N236-23-672	1330AA-1	1 - F 4	N202-24-722	1840A -1	1 - K 6	FA54-26-280	2610A -1	1 - E 9	0305-27-171	2700A -1	1 - G 9	0223-27-411A	2700A -1	1 - G 9
8245-23-673	1330A -1	1 - E 4	0426-24-725	1840A -1	1 - K 6	0710-26-288	2610A -1	1 - E 9	0305-27-171	2700AA-1	1 - I 9	0223-27-411A	2700AA-2	1 - J 9
N304-23-673	1330AA-1	1 - F 4	0426-24-726	1840A -1	1 - K 6	3648-26-288	2610A -1	1 - E 9	0221-27-210	2700A -1	1 - G 9	0223-27-412A	2700A -1	1 - G 9
1757-23-680	1330A -1	1 - E 4	N202-24-728	1840A -1	1 - K 6	FA54-26-290	2610A -1	1 - E 9	0221-27-210	2700AA-1	1 - I 9	0223-27-412A	2700AA-2	1 - J 9
3648-23-693A	1330A -1	1 - E 4	N202-24-729A	1840A -1	1 - K 6	GA02-26-315	2610A -1	1 - E 9	0755-27-210	2700A -1	1 - G 9	0223-27-413A	2700A -1	1 - G 9
1757-23-713A	1371A -1	1 - L 4	N221-24-730	1840A -1	1 - K 6	FA01-26-341	2610A -1	1 - E 9	0755-27-210	2700AA-1	1 - I 9	0223-27-413A	2700AA-2	1 - J 9
N304-23-713	1371AA-1	1 - M 4	N250-24-730	1840A -1	1 - K 6	1011-26-342	2610A -1	1 - E 9	M020-27-230	2700AA-1	1 - I 9	0223-27-414A	2700A -2	1 - H 9
1757-24-302	1820A -1	1 - I 6	1030-24-731A	1840A -1	1 - K 6	FA01-26-345	2610A -1	1 - E 9	M024-27-231	2700A -1	1 - G 9	0223-27-414A	2700AA-2	1 - J 9
8245-24-303A	1820A -1	1 - I 6	N202-24-731	1840A -1	1 - K 6	FA01-26-38Z	2610A -1	1 - E 9	8051-27-235	2700A -1	1 - G 9	0223-27-415A	2700A -2	1 - H 9
8245-24-304	1820A -1	1 - I 6	8872-24-736	1840A -2	1 - L 6	FA01-26-39	2610A -1	1 - E 9	8051-27-235	2700AA-1	1 - I 9	0223-27-415A	2700AA-2	1 - J 9
8245-24-305	1820A -1	1 - I 6	0222-24-740	1840A -1	1 - K 6	FA01-26-610A	2610A -1	1 - E 9	8051-27-236	2700A -1	1 - G 9	FA24-28-011	2800A -1	1 - K 9
1480-24-308	1820A -1	1 - I 6	N202-24-740	1840A -1	1 - K 6	FA18-26-610R	2610AA-1	1 - F 9	8051-27-236	2700AA-1	1 - I 9	8871-28-013C	2800A -1	1 - K 9
N304-24-308	1820A -1	1 - I 6	0222-24-741	1840A -1	1 - K 6	1175-26-615	2610A -1	1 - E 9	M035-27-251A	2700A -1	1 - G 9	0305-28-111B	2800A -1	1 - K 9
8245-24-310B	1820A -1	1 - I 6	N202-24-741	1840A -1	1 - K 6	FA01-26-630	2610A -1	1 - E 9	M050-27-251	2700AA-1	1 - I 9	1243-28-111	2800A -1	1 - K 9
8AF1-24-310A-BP	1820A -1	1 - I 6	N202-24-743	1840A -1	1 - K 6	FA01-26-640	2610A -1	1 - E 9	0290-27-252	2700A -1	1 - G 9	8001-28-114	3410A -1	1 - G10
N236-24-314	1820A -1	1 - I 6	N202-24-744	1840A -1	1 - K 6	FA18-26-660A	2610AA-1	1 - F 9	M020-27-252	2700AA-1	1 - I 9	FA01-28-120B	2810A -1	1 - L 9
8248-24-316	1820A -1	1 - I 6	N202-24-745	1840A -1	1 - K 6	FA18-26-680	2610AA-1	1 - F 9	0290-27-253	2700A -1	1 - G 9	FA01-28-151	2810A -1	1 - L 9
N249-24-330	1820A -1	1 - I 6	N202-24-746	1840A -1	1 - K 6	FA66-26-695	2610AA-1	1 - F 9	M020-27-253	2700AA-1	1 - I 9	FA01-28-155	2810A -1	1 - L 9
N304-24-330	1820A -1	1 - I 6	E301-24-750	1840A -1	1 - K 6	FA18-26-699	2610AA-1	1 - F 9	0290-27-254	2700A -1	1 - G 9	8871-28-156	2810A -1	1 - L 9
1757-24-334	1820A -1	1 - I 6	N202-24-750	1840A -1	1 - K 6	FA01-26-710A	2610A -1	1 - E 9	M020-27-255	2700AA-1	1 - I 9	FA01-28-156	2810A -1	1 - L 9
3648-24-340	1820A -1	1 - I 6	0222-24-752A	1840A -1	1 - K 6	FA18-26-710R	2610AA-1	1 - F 9	M025-27-255B	2700A -1	1 - G 9	8871-28-157	2810A -1	1 - L 9
1480-24-350A	1820A -1	1 - I 6	E301-24-753	1840A -1	1 - K 6	FA01-26-800	2610A -1	1 - E 9	0290-27-256	2700A -1	1 - G 9	8871-28-160	2800A -1	1 - K 9
N304-24-350	1820A -1	1 - I 6	0426-24-754	1840A -1	1 - K 6	FA01-26-808	2610A -1	1 - E 9	M020-27-256	2700AA-2	1 - J 9	8871-28-170	2800A -1	1 - K 9
N231-24-351	1820A -1	1 - I 6	N226-24-754	1840A -1	1 - K 6	FA01-26-810	2610A -1	1 - E 9	M020-27-257	2700AA-2	1 - J 9	8871-28-180	2800A -1	1 - K 9
N304-24-351	1820A -1	1 - I 6	N226-24-760	1840A -1	1 - K 6	FA01-26-818	2610A -1	1 - E 9	M020-27-258	2700AA-1	1 - I 9	8871-28-200	2800A -1	1 - K 9
8248-24-360	1820A -1	1 - I 6	E301-24-910	1820A -1	1 - I 6	FA01-26-832	2610A -1	1 - E 9	0290-27-259	2700A -1	1 - G 9	8871-28-300A	2800A -1	1 - K 9
8245-24-368A	1820A -1	1 - I 6	FE39-24-W27	1830A -1	1 - J 6	GA02-26-832	2610A -1	1 - E 9	M020-27-259	2700AA-1	1 - I 9	8871-28-320	2800A -1	1 - K 9
FE65-24-501A	1830A -1	1 - J 6	M026-25-100	2500A -1	1 - C 9	0613-26-922	2610A -1	1 - E 9	M020-27-261	2700AA-1	1 - I 9	FA66-28-320A	2800A -1	1 - K 9
FE65-24-503	1830A -1	1 - J 6	M041-25-100	2500A -1	1 - C 9	FA18-26-980B	2610AA-1	1 - F 9	M025-27-261A	2700A -1	1 - G 9	0710-28-775	2810A -1	1 - L 9
FE65-24-510	1830A -1	1 - J 6	1456-25-123	2500A -1	1 - C 9	FA66-26-980	2610AA-1	1 - F 9	0114-27-262	2700A -1	1 - G 9	8871-28-775	2800A -1	1 - K 9
SE21-24-511	1830A -1	1 - J 6	1456-25-125	2500A -1	1 - C 9	FA18-26-990B	2610AA-1	1 - F 9	M020-27-265	2700AA-1	1 - I 9	0223-28-776	2800A -1	1 - K 9
8173-24-521	1830A -1	1 - J 6	FA54-26-020	2600A -1	1 - D 9	FA66-26-990	2610AA-1	1 - F 9	0290-27-301	2700A -1	1 - G 9	0223-28-776	3410A -1	1 - G10
FE65-24-522	1830A -1	1 - J 6	FA58-26-020	2600A -1	1 - D 9	FA66-26-998	2610AA-1	1 - F 9	0290-27-301	2700AA-1	1 - I 9	0710-28-776	2810A -1	1 - L 9
FE65-24-523	1830A -1	1 - J 6	0259-26-041A	2600A -1	1 - D 9	0223-27-012	2700A -1	1 - G 9	0290-27-302	2700A -1	1 - G 9	0259-28-778	2800A -1	1 - K 9

PART NUMBER INDEX

PART NUMBER	SECTION	LOCATION	PART NUMBER	SECTION	LOCATION	PART NUMBER	SECTION	LOCATION	PART NUMBER	SECTION	LOCATION	PART NUMBER	SECTION	LOCATION
8182-32-071A	3210A -1	1 - N 9	FA55-32-550	3240A -1	1 - D10	0233-33-691	3300A -1	1 - E10	9996-36-310	1710A -2	1 - D 6	N250-40-200D	4000A -1	1 - L10
800! 32-071	3210A -1	1 - N 9	FA55-32-555	3240A -1	1 - D10	0259-33-691	2610A -1	1 - E 9	9996-36-315	1710A -1	1 - C 6	N304-40-200A	4000A -1	1 - L10
FA55-32-100C	3210A -1	1 - N 9	FA55-32-570D	3240A -1	1 - D10	0259-33-691	4140A -1	1 - N10	9996-36-330	1710A -2	1 - D 6	N304-40-200B	4000A -1	1 - L10
FA54-32-110	3210A -1	1 - N 9	HB40-32-607	3240A -1	1 - D10	0259-33-693	2610A -1	1 - E 9	9996-36-330	1710A -1	1 - C 6	1480-40-270	4000A -1	1 - L10
FA55-32-110	3210A -1	1 - N 9	FA56-32-610	3240A -1	1 - D10	0259-33-693	2610AA-1	1 - F 9	8002-37-160	3700A -1	1 - H10	1480-40-280A	4000A -1	1 - L10
FA24-32-120	3210A -1	1 - N 9	HB40-32-610	3240A -1	1 - D10	0259-33-693	3300A -1	1 - E10	H116-37-170	3700A -1	1 - H10	N304-40-300	4000A -1	1 - L10
FA55-32-120	3210A -1	1 - N 9	HB40-32-611	3240A -1	1 - D10	0259-33-693	4140A -1	1 - N10	1011-37-182D	3700A -1	1 - H10	1480-40-325	4000A -1	1 - L10
FA24-32-130	3210A -1	1 - N 9	HB40-32-612	3240A -1	1 - D10	8341-33-694	3300A -1	1 - E10	H002-37-182A	3700A -1	1 - H10	8118-40-355	4000A -1	1 - L10
8180-32-140	3210A -1	1 - N 9	FA56-32-613	3240A -1	1 - D10	0305-33-699	3300A -1	1 - E10	8871-37-190	3700A -1	1 - H10	8134-40-355	1310A -1	1 - K 3
FA55-32-140	3210A -1	1 - N 9	FA56-32-616	3240A -1	1 - D10	8341-33-699	3300A -1	1 - E10	800 -37-190	3700A -1	1 - H10	8134-40-355	1310AA-1	1 - L 3
FA24-32-141A	3210A -1	1 - N 9	FA56-32-620C	3240A -1	1 - D10	FA66-33-699	3300A -1	1 - E10	G002-37-190	3700A -1	1 - H10	8134-40-355	4000A -1	1 - L10
FA24-32-150	3210A -1	1 - N 9	H119-32-620	3240A -1	1 - D10	FA57-33-980	3300A -1	1 - E10	FA01-37-191	3700A -1	1 - H10	8182-40-356	4000A -1	1 - L10
FA55-32-160	3210A -1	1 - N 9	HB40-32-621	3240A -1	1 - D10	FA66-33-980	3300A -1	1 - E10	8871-37-192	3700A -1	1 - H10	1480-40-375	4000A -1	1 - L10
FA24-32-170	3210A -1	1 - N 9	FA56-32-690	3240A -1	1 - D10	FA57-33-990	3300A -1	1 - E10	B001-37-192	3700A -1	1 - H10	N249-40-400B	4000A -1	1 - L10
8871-32-180	3210A -1	1 - N 9	FA54-32-740	3200A -1	1 - M 9	FA66-33-990	3300A -1	1 - E10	H115-37-192	3700A -1	1 - H10	N250-40-400B	4000A -1	1 - L10
FA55-32-180	3210A -1	1 - N 9	8871-32-750	3200A -1	1 - M 9	F001-34-011A	3400A -1	1 - F10	8531-37-193C	3700A -1	1 - H10	8871-40-401	4000A -1	1 - L10
8871-32-182	3210A -1	1 - N 9	FA54-32-760	3200A -1	1 - M 9	FA01-34-011A	3400A -1	1 - F10	8871-37-790D	3700A -3	1 - J10	8871-40-405A	4000A -1	1 - L10
0208-32-188	3210A -1	1 - N 9	FA54-32-760 10	3200A -1	1 - M 9	FA66-34-011	3400A -1	1 - F10	9965-38-5030	3700A -1	1 - H10	N229-40-500A	4000A -1	1 - L10
0820-32-190	3210A -1	1 - N 9	FA54-32-760 65	3200A -1	1 - M 9	FA67-34-011	3400A -1	1 - F10	9965-38-5030K3	3700A -1	1 - H10	N304-40-500C	4000A -1	1 - L10
FA55-32-190	3210A -1	1 - N 9	FA54-32-760 78	3200A -1	1 - M 9	FA01-34-012	3400A -1	1 - F10	9965-38-5030K3	3700A -1	1 - H10	8871-40-551	4000A -1	1 - L10
1757-32-220	3210A -1	1 - N 9	FA54-32-800A	3200A -1	1 - M 9	0111-34-013	3400A -1	1 - F10	8871-39-021B	3900A -1	1 - K10	8871-40-560	4000A -2	1 - M10
8871-32-261	3230A -1	1 - C10	FA54-32-800A10	3200A -1	1 - M 9	FA01-34-015	3400A -1	1 - F10	1668-39-040D	3900A -1	1 - K10	N304-40-560	4000A -2	1 - M10
8545-32-278	3210A -1	1 - N 9	FA54-32-800A65	3200A -1	1 - M 9	1011-34-019	3400A -1	1 - F10	8545-39-040	3900A -1	1 - K10	N304-40-630C	4000A -2	1 - M10
0866-32-279	3230A -1	1 - C10	FA54-32-800A78	3200A -1	1 - M 9	8871-34-111A	3400A -1	1 - F10	FA55-39-040	3900A -1	1 - K10	N249-40-640A	4000A -2	1 - M10
8021-32-279	3230A -1	1 - C10	0187-32-850D	3210A -1	1 - N 9	8871-34-131A	3410A -1	1 - G10	1668-39-045B	3900A -1	1 - K10	N250-40-640B	4000A -2	1 - M10
8871-32-301C	3400A -1	1 - F10	FA55-32-850A	3210A -1	1 - N 9	8871-34-133A	3410A -1	1 - G10	FA55-39-045	3900A -1	1 - K10	N249-40-720	4000A -2	1 - M10
8871-32-311C	3400A -1	1 - F10	8871-32-862	3210A -1	1 - N 9	8871-34-134A	3410A -1	1 - G10	8788-39-055	3900A -1	1 - K10	1480-40-728	4000A -2	1 - M10
0603-32-315	3400A -1	1 - F10	FA54-32-980	3200A -1	1 - M 9	8871-34-135A	3410A -1	1 - G10	1011-39-340A	3900A -1	1 - K10	N304-40-728B	4000A -2	1 - M10
8871-32-320A	3230A -1	1 - C10	FA54-32-980 10	3200A -1	1 - M 9	8871-34-136B	3410A -1	1 - G10	FA55-39-340B	3900A -1	1 - K10	N249-40-740A	4000A -2	1 - M10
0866-32-323	3230A -1	1 - C10	FA54-32-980 65	3200A -1	1 - M 9	8871-34-137A	3410A -1	1 - G10	1391-39-349	3410A -1	1 - G10	N250-40-740A	4000A -2	1 - M10
1011-32-324	3230A -1	1 - C10	FA54-32-980 78	3200A -1	1 - M 9	8871-34-151	3410A -1	1 - G10	FA66-39-350A	3900A -1	1 - K10	N304-40-740	4000A -2	1 - M10
0866-32-325	3230A -1	1 - C10	FA55-32-980A	3200A -1	1 - M 9	1243-34-153	3410A -1	1 - G10	FA55-39-372	3900A -1	1 - K10	1480-40-750	4000A -2	1 - M10
1524-32-329B	3230A -1	1 - C10	FA55-32-980A12	3200A -1	1 - M 9	FA01-34-155	3410A -1	1 - G10	F001-39-375	3900A -1	1 - K10	N249-40-780B	4000A -2	1 - M10
0866-32-341	3230A -1	1 - C10	FA55-32-980A65	3200A -1	1 - M 9	8871-34-156A	3410A -1	1 - G10	FA55-39-380C	3900A -1	1 - K10	N249-40-780C	4000A -2	1 - M10
8173-32-359	3210A -1	1 - N 9	FA55-32-980A78	3200A -1	1 - M 9	0603-34-157A	3410A -1	1 - G10	0884-39-383A	3900A -1	1 - K10	N305-40-780	4000A -2	1 - M10
2113-32-365	3230A -1	1 - C10	8871-32-984	3200A -1	1 - M 9	0603-34-158	3410A -1	1 - G10	8599-39-384A	3900A -1	1 - K10	N250-40-814E	4000A -2	1 - M10
FA55-32-400C	3210A -1	1 - N 9	0662-33-042	3300A -1	1 - E10	0866-34-158	2800A -1	1 - K 9	FA66-39-385	3900A -1	1 - K10	N304-40-814E	4000A -2	1 - M10
FA55-32-410B	3210A -1	1 - N 9	1011-33-043	3300A -1	1 - E10	1243-34-159	3400A -1	1 - F10	0884-39-386	3900A -1	1 - K10	1480-40-815	4000A -2	1 - M10
8871-32-411	3210A -1	1 - N 9	8545-33-047	3300A -1	1 - E10	8871-34-222	3410A -1	1 - G10	FA55-39-388A	3900A -1	1 - K10	8545-40-815	4000A -2	1 - M10
FA55-32-411	3210A -1	1 - N 9	0662-33-049	3300A -1	1 - E10	8871-34-222	5010A -1	2 - F 3	8871-40-010	4000A -1	1 - L10	N304-40-820	4000A -2	1 - M10
8871-32-412	3210A -1	1 - N 9	1312-33-065	3300A -1	1 - E10	FA01-34-340A	3400A -1	1 - F10	N305-40-030	4000A -1	1 - L10	N250-40-841A	4000A -2	1 - M10
1011-32-414A	3210A -1	1 - N 9	H001-33-071	3300A -1	1 - E10	FA01-34-384	3400A -1	1 - F10	N225-40-061	4000A -1	1 - L10	N305-40-941A	4000A -2	1 - M10
FA24-32-420	3210A -1	1 - N 9	1391-33-075	3300A -1	1 - E10	FA01-34-390A	3400A -1	1 - F10	N305-40-073	4000A -1	1 - L10	0727-41-023	4300A -1	1 - E11
FA54-32-421	3210A -1	1 - N 9	9996-33-130	1720A -1	1 - G 6	8173-34-460B	3400A -1	1 - F10	N304-40-078A	4000A -1	1 - L10	FA54-41-030B	4300A -1	1 - E11
8871-32-429A	3210A -1	1 - N 9	1029-33-165	3700A -1	1 - H10	0305-34-555	3230A -1	1 - C10	N250-40-080B	4000A -1	1 - L10	W090-41-041	4300A -1	1 - E11
FA55-32-460B	3240A -1	1 - D10	8531-33-165	3700A -1	1 - H10	8531-34-565	3400A -1	1 - F10	N304-40-080B	4000A -1	1 - L10	0183-41-043	4300A -1	1 - E11
FA55-32-470	3210A -1	1 - N 9	8532-33-165	3700A -1	1 - H10	8171-34-731	3400A -1	1 - F10	1114-40-108B	4000A -1	1 - L10	0824-41-051A	4300A -1	1 - E11
FA55-32-481C	3240A -1	1 - D10	FA54-33-251B	3300A -1	1 - E10	8871-34-800C	3410A -1	1 - G10	1114-40-160	4070A -1	1 - L10	0559-41-081A	4300A -1	1 - E11
FA55-32-490C	3240A -1	1 - D10	FA66-33-251B	3300A -1	1 - E10	FA55-34-800	3410A -1	1 - G10	N304-40-161A	4000A -1	1 - L10	0824-41-084	4300A -1	1 - E11
FA55-32-492	3240A -1	1 - D10	FA54-33-260A	3300A -1	1 - E10	FA66-34-800	3410A -1	1 - G10	0820-40-166	4000A -1	1 - L10	0727-41-131	4300A -1	1 - E11
FA55-32-500	3240A -1	1 - D10	FA66-33-260A	3300A -1	1 - E10	8871-34-850D	3410A -1	1 - G10	8871-40-180	4000A -1	1 - L10	9938-41-200F	1040A -1	1 - E 3
FA55-32-510	3240A -1	1 - D10	FA54-33-270A	3300A -1	1 - E10	8871-34-860D	3410A -1	1 - G10	N304-40-180	4000A -1	1 - L10	0613-41-308	4400A -1	1 - J11
FA55-32-520	3240A -1	1 - D10	FA66-33-270A	3300A -1	1 - E10	FA55-34-910A	3400A -1	1 - F10	N249-40-200B	4000A -1	1 - L10	H005-41-341	4140A -1	1 - N10
FA55-32-530	3240A -1	1 - D10	8341-33-651A	3300A -1	1 - E10	FA66-34-910B	3400A -1	1 - F10	N249-40-200C	4000A -1	1 - L10	0088-41-352A	4300A -1	1 - E11
FA55-32-540	3240A -1	1 - D10	0233-33-691	2610AA-1	1 - F 9	8171-34-970	3400A -1	1 - F10	N250-40-200C	4000A -1	1 - L10	8871-41-370	4140A -1	1 - N10

PART NUMBER INDEX

PART NUMBER	SECTION	LOCATION	PART NUMBER	SECTION	LOCATION	PART NUMBER	SECTION	LOCATION	PART NUMBER	SECTION	LOCATION	PART NUMBER	SECTION	LOCATION
GC11-41-38C	4140A -1	1 - N10	8531-42-761	4200A -1	1 - D11	FA07-43-820	4360A -1	1 - H11	FA66-45-111B	4500A -1	1 - L11	8202-46-061A	4600A -1	1 - N11
9956-41-400	1040A -1	1 - E 3	8871-42-761	4200A -1	1 - D11	FA18-43-820A	4360AA-1	1 - I11	FA01-45-112	4500A -1	1 - L11	2375-46-062	4600A -1	1 - N11
FA54-41-400A	4140A -1	1 - N10	8341-42-910A	4200A -1	1 - D11	1480-43-830A	4340A -1	1 - F11	8344-45-123	4500A -1	1 - L11	FA55-46-083	4600A -1	1 - N11
FA66-41-400A	4140A -1	1 - N10	8871-42-920	4200A -1	1 - D11	1480-43-830A	4340AA-1	1 - G11	FA66-45-123A	4500A -1	1 - L11	1481-46-084A	4600A -1	1 - N11
H001-41-443	4140A -1	1 - N10	0225-43-028A	4300A -1	1 - E11	H202-43-830	4340AA-1	1 - G11	FA42-45-125	4500A -1	1 - L11	1015-46-085	4300A -1	1 - E11
H001-41-443	4300A -1	1 - E11	S083-43-028	4300A -1	1 - E11	8871-43-836	4340A -1	1 - F11	FA42-45-126A	4500A -1	1 - L11	H002-46-085	4600A -1	1 - N11
0305-41-451	4140A -1	1 - N10	8001-43-029	4300A -1	1 - E11	8871-43-836	4340AA-1	1 - G11	FA66-45-130A	4500A -1	1 - L11	FA55-46-110A	4600A -1	1 - N11
0839-41-461	4140A -1	1 - N10	FA54-43-030A	4300A -1	1 - E11	FA66-43-836	4340AA-1	1 - G11	8871-45-13'A	4500A -1	1 - L11	FA55-46-150	4600A -1	1 - N11
GA02-41-470	4140A -1	1 - N10	FA55-43-030	4300A -1	1 - E11	FA01-43-840	4340A -1	1 - F11	FA66-45-132	4500A -1	1 - L11	H002-46-152	4600A -1	1 - N11
S008-41-52Z	4140A -1	1 - N10	FA54-43-041	4300A -1	1 - E11	FA01-43-840	4340AA-1	1 - G11	FA66-45-133	4500A -1	1 - L11	FA55-46-571	4600A -1	1 - N11
W055-41-53Z	4140A -1	1 - N10	FA01-43-042	4300A -1	1 - E11	FA07-43-9J0	4360A -1	1 - H11	FA66-45-141A	4500A -1	1 - L11	0223-46-683	4300A -1	1 - E11
FA55-41-610A	4160A -1	1 - C11	0866-43-062	4300A -1	1 - E11	FA66-43-900	4360AA-1	1 - I11	FA23-45-160A	4500A -1	1 - L11	1015-46-684A	4600A -1	1 - N11
0824-41-619	4160A -1	1 - C11	FA16-43-063	4300A -1	1 - E11	FA66-43-980A	4360A -1	1 - H11	FA66-45-160B	4500A -1	1 - L11	0604-46-785	4300A -1	1 - E11
8239-41-619	4160A -1	1 - C11	FA54-43-070B	4300A -1	1 - E11	FA66-43-980A	4360AA-1	1 - I11	3919-45-170A	4500A -1	1 - L11	8341-49-240	3300A -1	1 - E10
0259-41-644	4160A -1	1 - C11	8872-43-090	4300A -1	1 - E11	FA54-44-010E	4400A -1	1 - J11	FA23-45-181	1320AA-2	1 - D 4	FA18-49-240	2610AA-1	1 - F 9
0259-41-644	4300A -1	1 - E11	0259-43-140	4300A -1	1 - E11	FA54-44-010E10	4400A -1	1 - J11	FA23-45-181	4500A -1	1 - L11	FA67-49-240	2610AA-1	1 - F 9
FA54-41-650A	4160A -1	1 - C11	1524-43-140	4300A -1	1 - E11	FA54-44-010E65	4400A -1	1 - J11	FA23-45-182	1320AA-2	1 - D 4	8341-49-250	3300A -1	1 - E10
8001-41-652	4160A -1	1 - C11	B084-43-221	4300A -1	1 - E11	FA54-44-010E78	4400A -1	1 - J11	FA23-45-182	4500A -1	1 - L11	FA18-49-250	2610AA-1	1 - F 9
FA54-41-660A	4160A -1	1 - C11	FA07-43-360	4360A -1	1 - H11	FA54-44-031	4400A -1	1 - J11	FA23-45-190A	4500A -1	1 - L11	FA66-49-250	3300A -1	1 - E10
FA66-41-660C	4160A -1	1 - C11	FA07-43-360	4360AA-1	1 - I11	FA54-44-032	4400A -1	1 - J11	FA54-45-280	4360A -1	1 - H11	8871-49-280A	3300A -1	1 - E10
FA54-41-711A	4160A -1	1 - C11	FA07-43-370	4360A -1	1 - H11	0221-44-033	4400A -1	1 - J11	FA54-45-280B	4360A -1	1 - H11	FA18-49-280A	2610AA-1	1 - F 9
FA01-41-920	4140A -1	1 - N10	FA07-43-370	4360AA-1	1 - I11	0221-44-033 00	4400A -1	1 - J11	FA54-45-280B	4360AA-1	1 - I11	FA66-49-280	3300A -1	1 - E10
FA42-41-920A	4140A -1	1 - N10	FA07-43-400	4340A -1	1 - F11	0221-44-033 10	4400A -1	1 - J11	FA54-45-320A	4360A -1	1 - H11	FA67-49-280	2610AA-1	1 - F 9
BC88-42-045	4200A -1	1 - D11	FA66-43-400	4340AA-1	1 - G11	0221-44-033 65	4400A -1	1 - J11	FA54-45-320C	4360A -1	1 - H11	8341-49-290A	3300A -1	1 - E10
FA54-42-110	4200A -1	1 - D11	H001-43-443	4340A -1	1 - F11	0221-44-033 78	4400A -1	1 - J11	FA54-45-320C	4360AA-1	1 - I11	FA18-49-290	2610AA-1	1 - F 9
FA66-42-110A	4200A -1	1 - D11	H001-43-443	4340AA-1	1 - G11	FA54-44-034	4400A -1	1 - J11	FA54-45-360	4360A -1	1 - H11	FA66-49-290A	3300A -1	1 - E10
G037-42-113A	4200A -1	1 - D11	3597-43-540	4340A -1	1 - F11	FA54-44-034 10	4400A -1	1 - J11	FA54-45-360	4360AA-1	1 - I11	FA67-49-290A	2610AA-1	1 - F 9
GA97-42-113	4200A -1	1 - D11	3597-43-540	4340AA-1	1 - G11	FA54-44-034 65	4400A -1	1 - J11	FA66-45-510	4140A -1	1 - N10	FA54-49-310	3400A -1	1 - F10
FA54-42-180	4200A -1	1 - D11	8531-43-542	4340A -1	1 - F11	FA54-44-034 78	4400A -1	1 - J11	FA42-45-611D	4500A -1	1 - L11	FA54-49-320	3400A -1	1 - F10
FA66-42-180	4200A -1	1 - D11	8531-43-542	4340AA-1	1 - G11	B001-44-045	4400A -1	1 - J11	FA66-45-611B	4500A -1	1 - L11	H005-49-460	4140A -1	1 - N10
FA54-42-182	4200A -1	1 - D11	FA18-43-605A	4360AA-1	1 - I11	FA54-44-051	4400A -1	1 - J11	FA42-45-711C	4500A -1	1 - L11	H005-49-470	4140A -1	1 - N10
9956-42-200	1500AA-1	1 - I 5	1114-43-608B	4360AA-1	1 - I11	B037-44-053	4400A -1	1 - J11	FA42-45-712B	4500A -1	1 - L11	GA02-49-520A	4140A -1	1 - N10
FA54-42-210A	4200A -1	1 - D11	8871-43-608	4360A -1	1 - H11	B037-44-054	4400A -1	1 - J11	FA66-45-712A	4500A -1	1 - L11	GA02-49-530	4140A -1	1 - N10
8344-42-241	4200A -1	1 - D11	1114-43-609A	4360AA-1	1 - I11	FA54-44-061B	4400A -1	1 - J11	8871-45-715	4500A -1	1 - L11	W001-49-530	4140A -1	1 - N10
8871-42-242A	4200A -1	1 - D11	0136-43-635	4140A -1	1 - N10	FA54-44-061B10	4400A -1	1 - J11	8173-45-901A	4500A -1	1 - L11	GA02-49-570B	4140A -1	1 - N10
8344-42-245	4200A -1	1 - D11	W023-43-635	4360A -1	1 - H11	FA54-44-061B65	4400A -1	1 - J11	8171-45-903A	4500A -1	1 - L11	B093-49-580	4140A -1	1 - N10
8871-42-250B-BP	4200A -1	1 - D11	W023 43-635	4360A -1	1 - H11	FA54-44-061B78	4400A -1	1 - J11	8173-45-903	1910A -1	1 - N 6	B093-49-580	4340A -1	1 - F11
FA54-42-291A	4200A -1	1 - D11	W023-43-635	4360AA-1	1 - I11	FA54-44-062B	4400A -1	1 - J11	8173-45-903	4360A -1	1 - H11	B093-49-580	4340AA-1	1 - G11
0223-42-307	1380A -1	1 - N 4	W023-43-635	4360AA-1	1 - I11	FA54-44-062B10	4400A -1	1 - J11	8173-45-903	4360AA-1	1 - I11	GA02-49-580B	4140A -1	1 - N10
8871-42-365	4200A -1	1 - D11	W023-43-635	4360AA-1	1 - I11	FA54-44-062B65	4400A -1	1 - J11	8173-45-903	4500A -1	1 - L11	G001-49-610	4340A -1	1 - F11
0866-42-366B	4200A -1	1 - D11	G001-43-640	4340A -1	1 - F11	FA54-44-062B78	4400A -1	1 - J11	FA42-45-903	4500A -2	1 - M11	HA18-49-610A	4340AA-1	1 - G11
FA54-42-410	4200A -1	1 - D11	G001-43-640	4340AA-1	1 - G11	1480-44-150A	4400A -1	1 - J11	FA66-45-903	4500A -2	1 - M11	1128-49-625	4340A -1	1 - F11
FA01-42-431B	4200A -1	1 - D11	FA18-43-642A	4360AA-1	1 - I11	0866-44-187A	4400A -1	1 - J11	FA42-45-904	4500A -2	1 - M11	FB01-49-625	4340AA-1	1 - G11
H043-42-451A	4200A -1	1 - D11	FA07-43-650	4360A -1	1 - H11	0866-44-189	4400A -1	1 - J11	8173-45-909	4360A -1	1 - H11	FB01-49-625	4340AA-1	1 - G11
H043-42-452B	4200A -1	1 - D11	FA18-43-650	4360AA-1	1 - I11	0118-44-375	4400A -1	1 - J11	8173-45-909	4360AA-1	1 - I11	0305-49-626	4340AA-1	1 - G11
FA01-42-453	4200A -1	1 - D11	FA07-43-660	4360A -1	1 - H11	FA16-44-410B	4400A -1	1 - J11	FA66-45-931	4500A -2	1 - M11	1128-49-626	4340A -1	1 - F11
0259-42-459	5180A -1	2 - E 4	FA18-43-6J0	4360AA-1	1 - I11	FA54-44-410A	4400A -1	1 - J11	H002-45-961	6704A -1	2 - I10	1128-49-635	4340A -1	1 - F11
F023-42-470B	4200A -1	1 - D11	8573-43-694	4340A -1	1 - F11	FA66-44-410	4400A -1	1 - J11	FA55-46-010	4600A -1	1 - N11	G001-49-640	4340A -1	1 - F11
8562-42-530	4200A -1	1 - D11	8573-43-694	4340AA-1	1 - G11	FA16-44-420A	4400A -1	1 - J11	H002-46-016A	4600A -1	1 - N11	HA18-49-640	4340AA-1	1 - G11
8871-42-571C	4200A -1	1 - D11	FA07-43-750	4360A -1	1 - H11	FA54-44-420A	4400A -1	1 - J11	FA55-46-021	4600A -1	1 - N11	G001-49-652	4340A -1	1 - F11
F001-42-581A	4200A -1	1 - D11	FA07-43-750	4360AA-1	1 - I11	FA66-44-420	4400A -1	1 - J11	8174-46-022	4600A -1	1 - N11	FA07-49-680	4340A -1	1 - F11
FA66-42-621	4500A -1	1 - L11	8871-43-785A	4360A -1	1 - H11	1011 44-439	4400A -2	1 - K11	FA55-46-030	4600A -1	1 - N11	FA07-49-680	4340AA-1	1 - G11
8871-42-710B	4200A -1	1 - D11	FA55-43-800	4340A -1	1 - F11	8871-44-439	4400A -2	1 - K11	FA55-46-030 10	4600A -1	1 - N11	0305-49-686B	4140A -1	1 - N10
8871-42-720A	4200A -1	1 - D11	FA55-43-800	4340AA-1	1 - G11	0305-44-471	4400A -2	1 - K11	FA55-46-030 65	4600A -1	1 - N11	0305-49-686B	4340A -1	1 - F11
8871-42-745	4200A -1	1 - D11	FA18-43-810	4360AA-1	1 - I11	FA42-45-111C	4500A -1	1 - L11	FA55-46-030 78	4600A -1	1 - N11	0305-49-686B	4340AA-1	1 - G11

PART NUMBER INDEX

PART NUMBER	SECTION	LOCATION	PART NUMBER	SECTION	LOCATION	PART NUMBER	SECTION	LOCATION	PART NUMBER	SECTION	LOCATION	PART NUMBER	SECTION	LOCATION
FA55-49-720	4340A -1	1 - F11	FA02-50-692	5060A -1	2 - I 3	8545-51-516	5105A -1	2 - L 3	9965-53-0025	3700A -2	1 - I10	FA54-55-213	5500A -1	2 - C 5
FA55-49-720	4340AA-1	1 - G11	FA02-50-693	5060A -1	2 - I 3	1243-51-545	5170A -1	2 - D 4	9965-53-0030	3700A -2	1 - I10	FA54-55-215	5500A -1	2 - C 5
FA01-49-790	3400A -1	1 - F10	FA02-50-694	5060A -1	2 - I 3	FA01-51-551	5120A -1	2 - N 3	9965-53-0035	3700A -2	1 - I10	8871-55-216	5570A -1	2 - K 5
FA66-49-790	3400A -1	1 - F10	FA01-50-695	5060A -1	2 - I 3	FA01-51-561	5120A -1	2 - N 3	9965-53-0040	3700A -2	1 - I10	FA54-55-216	5500A -1	2 - C 5
FA01-50-012	5000A -1	2 - D 3	FA01-50-711A	5005A -1	2 - E 3	8871-51-621A	5103A -1	2 - K 3	8871-53-041	6800A -1	2 - C11	FA54-55-217	5500A -1	2 - C 5
FA01-50-013	5010A -1	2 - F 3	8871-50-720	5005A -1	2 - E 3	8871-51-630C	5103A -1	2 - K 3	9965-53-0045	3700A -2	1 - I10	FA54-55-218	5500A -1	2 - C 5
FA01-50-014	5000A -1	2 - D 3	8871-50-741	5005A -1	2 - E 3	H001-51-666	5103A -1	2 - K 3	8871-53-050A	5370A -1	2 - L 4	B001-55-225A	5500A -1	2 - C 5
FA01-50-014	5010A -1	2 - F 3	8871-50-761	5005A -1	2 - E 3	H001-51-667	5103A -1	2 - K 3	9965-53-0050	3700A -2	1 - I10	FA01-55-225	5500A -3	2 - E 5
FA01-50-015	5000A -1	2 - D 3	FA54-50-791A	5180A -1	2 - E 4	FA02-51-720	5170A -1	2 - D 4	9965-53-0060	3700A -2	1 - I10	G030-55-225	5500A -1	2 - C 5
FA01-50-015	5010A -1	2 - F 3	8531-50-792	5180A -1	2 - E 4	FA54-51-761	5170A -1	2 - D 4	FA54-53-100	5310A -1	2 - G 4	G030-55-225 10	5500A -1	2 - C 5
FA01-50-016	5000A -1	2 - D 3	FA54-50-795	5180A -1	2 - E 4	FA58-51-761	5170A -1	2 - D 4	0187-53-134	6125B -1	2 - L 7	G030-55-225 65	5500A -1	2 - C 5
FA01-50-030A	5000A -1	2 - D 3	8871-50-825	5000A -1	2 - D 3	FA78-51-761	5170A -1	2 - D 4	8871-53-161	5370A -1	2 - L 4	G030-55-225 78	5500A -1	2 - C 5
FA01-50-036	5000A -1	2 - D 3	8871-50-825	5310A -1	2 - G 4	F023-51-770A	5170A -1	2 - D 4	FA01-53-170B	5390A -1	2 - M 4	FA55-55-231D	6680A -1	2 - C10
FA01-50-036	5010A -1	2 - F 3	8871-50-825	5390A -1	2 - M 4	F023-51-780	5170A -1	2 - D 4	FA54-53-210D	5320A -1	2 - H 4	FA55-55-231D00	6680A -1	2 - C10
FA01-50-037	5000A -1	2 - D 3	FA07-50-840C	5180A -1	2 - E 4	H001-51-782	5170A -1	2 - D 4	8545-53-225	6720A -1	2 - J10	FA56-55-231B	6680A -1	2 - C10
FA01-50-040	5000A -1	2 - D 3	FA01-50-855	5180A -1	2 - E 4	FA24-51-817	6720A -1	2 - J10	0398-53-239	6720A -1	2 - J10	FA56-55-231B00	6680A -1	2 - C10
FA01-50-042	5000A -1	2 - D 3	8871-50-917A	5030A -1	2 - G 3	FA01-51-881A	6300A -1	2 - M 8	8871-53-240A	5320A -1	2 - H 4	FA60-55-231A	6680A -1	2 - C10
FA01-50-050	5000A -1	2 - D 3	8871-50-918	5030A -1	2 - G 3	FA01-51-891A	6300A -1	2 - M 8	FA01-53-270A	5320A -1	2 - H 4	FA60-55-231A00	6680A -1	2 - C10
FA01-50-052	5000A -1	2 - D 3	8871-50-927A	5030A -1	2 - G 3	8871-51-901C	5180A -1	2 - E 4	8871-53-285C	5320A -1	2 - H 4	1840-55-240	5570A -1	2 - K 5
FA01-50-054	5000A -1	2 - D 3	8871-50-950C	5030A -1	2 - G 3	1029-51-902	6300A -1	2 - M 8	FA01-53-290	5320A -1	2 - H 4	1316-55-261	5540A -1	2 - H 5
FA01-50-054	5310A -1	2 - G 4	FA24-50-950	5180A -1	2 - E 4	8871-51-911A	5180A -1	2 - E 4	FA54-53-310B	5320A -1	2 - H 4	8548-55-261	5540A -1	2 - H 5
FA01-50-054	5390A -1	2 - M 4	G030-50-978	5180A -1	2 - E 4	FA01-51-930B	5103A -1	2 - K 3	FA01-53-391B	5370A -1	2 - L 4	8871-55-280	5500A -1	2 - C 5
FA01-50-064	5010A -1	2 - F 3	3958-51-021	5100A -1	2 - J 3	FA01-51-931B	5103A -1	2 - K 3	FA54-53-400	5330A -1	2 - L 4	FA54-55-280	5500A -1	2 - C 5
FA01-50-070	5000A -1	2 - D 3	8871-51-021	5100A -1	2 - J 3	8871-51-932	5103A -1	2 - K 3	F023-53-420	5340A -1	2 - J 4	G032-55-280A	5500A -1	2 - C 5
FA01-50-080	5000A -1	2 - D 3	8871-51-033	5100A -1	2 - J 3	8871-51-933	5103A -1	2 - K 3	FA54-53-510D	5330A -1	2 - L 4	FA54-55-311	5500A -1	2 - C 5
FA01-50-150A	5000A -1	2 - D 3	8572-51-051	6682A -1	2 - D10	8871-51-934	5103A -1	2 - K 3	FA54-53-600J	5370A -1	2 - L 4	FA54-55-311 11	5500A -1	2 - C 5
FA01-50-180	5000A -1	2 - D 3	FA01-51-061	5105A -1	2 - L 3	8871-51-935	5103A -1	2 - K 3	FA55-53-600F	5370A -1	2 - L 4	FA54-55-311 64	5500A -1	2 - C 5
FA01-50-211	5010A -1	2 - F 3	FA01-51-063	5105A -1	2 - L 3	8871-51-936	5103A -1	2 - K 3	FA66-53-600C	5370A -1	2 - L 4	FA54-55-311 79	5500A -1	2 - C 5
FA01-50-220	5010A -1	2 - F 3	FA01-51-071	5105A -1	2 - L 3	FA01-51-939	5103A -1	2 - K 3	FA54-53-700	5370A -1	2 - L 4	FA54-55-313	5500A -1	2 - C 5
FA01-50-223	5010A -1	2 - F 3	9970-51-110	6700A -1	2 - E10	FA01-51-940B	5103A -1	2 - K 3	FA54-53-810	5370A -1	2 - L 4	FA54-55-316	5500A -1	2 - C 5
FA01-50-230	5010A -1	2 - F 3	9970-51-115	6700A -1	2 - E10	FA01-51-941B	5103A -1	2 - K 3	FA54-53-900	5370A -1	2 - L 4	FA54-55-321	5500A -1	2 - C 5
8871-50-231	5010A -1	2 - F 3	9970-51-120	6700A -1	2 - E10	8871-51-942	5103A -1	2 - K 3	FA54-53-930A	5370A -1	2 - L 4	FA54-55-321 10	5500A -1	2 - C 5
8871-50-232	5010A -1	2 - F 3	FA01-51-121	5105A -1	2 - L 3	8871-51-945	5103A -1	2 - K 3	FA54-53-940	5370A -1	2 - L 4	FA54-55-321 65	5500A -1	2 - C 5
FA01-50-232	5010A -1	2 - F 3	FA01-51-131	5105A -1	2 - L 3	8871-51-951C	5180A -1	2 - E 4	8871-53-951B	5370A -1	2 - L 4	FA54-55-321 78	5500A -1	2 - C 5
FA01-50-240	5010A -1	2 - F 3	FA01-51-151D	5110A -1	2 - M 3	8871-51-961A	5180A -1	2 - E 4	FA01-54-170B	5390A -1	2 - M 4	FA54-55-331	5500A -1	2 - C 5
FA01-50-242	5010A -1	2 - F 3	FA01-51-153A	5110A -1	2 - M 3	FA16-51-966	5180A -1	2 - E 4	FA54-54-210C	5320A -1	2 - H 4	FA54-55-331 11	5500A -1	2 - C 5
G001-50-242	5180A -1	2 - E 4	FA01-51-159	5110A -1	2 - M 3	FA54-51-980	5310A -1	2 - G 4	FA54-54-214	5500A -1	2 - C 5	FA54-55-331 64	5500A -1	2 - C 5
FA01-50-280A	5010A -1	2 - F 3	FA01-51-161D	5110A -1	2 - M 3	FA01-52-111D	5320A -1	2 - H 4	8871-54-240A	5320A -1	2 - H 4	FA54-55-331 79	5500A -1	2 - C 5
FA01-50-330A	5010A -1	2 - F 3	FA01-51-163A	5110A -1	2 - M 3	FA72-52-130A	5320A -1	2 - H 4	FA54-54-260	1850A -1	1 - M 6	FA54-55-341	5500A -1	2 - C 5
FA01-50-380	5010A -1	2 - F 3	FA01-51-351A	6900A -2	2 - L11	8871-52-151	5320A -1	2 - H 4	FA01-54-270A	5320A -1	2 - H 4	FA54-55-341 11	5500A -2	2 - D 5
8871-50-510C	5040A -1	2 - H 3	FA01-51-354	6900A -1	2 - K11	FA01-52-211D	5320A -1	2 - H 4	8871-54-285C	5320A -1	2 - H 4	FA54-55-341 64	5500A -2	2 - D 5
8871-50-516	5030A -1	2 - G 3	FA01-51-355A	6900A -1	2 - K11	FA72-52-230A	5320A -1	2 - H 4	FA01-54-290	5320A -1	2 - H 4	FA54-55-341 79	5500A -2	2 - D 5
8871-50-517	5030A -1	2 - G 3	FA01-51-356	6900A -1	2 - K11	8173-52-231	5230A -1	2 - F 4	2113-54-295	1850A -1	1 - M 6	FA54-55-351	5500A -2	2 - D 5
8871-50-520C	5040A -1	2 - H 3	FA01-51-357	6900A -1	2 - K11	0223-52-302	5230A -1	2 - F 4	FA54-54-310C	5320A -1	2 - H 4	FA54-55-351 11	5500A -2	2 - D 5
8871-50-526	5030A -1	2 - G 3	FA01-51-358	6900A -1	2 - K11	8871-52-410	5230A -1	2 - F 4	8871-54-391C	5370A -1	2 - L 4	FA54-55-351 64	5500A -2	2 - D 5
8871-50-527	5030A -1	2 - G 3	8871-51-401	5103A -1	2 - K 3	0866-52-451	5103A -1	2 - K 3	F023-54-630C	5370A -1	2 - L 4	FA54-55-351 79	5500A -2	2 - D 5
8871-50-608	5030A -1	2 - G 3	8871-51-403	5103A -1	2 - K 3	8871-52-511B	5230A -1	2 - F 4	F023-54-640	5370A -1	2 - L 4	FA54-55-361	5500A -2	2 - D 5
1243-50-609	5030A -1	2 - G 3	8871-51-405	5103A -1	2 - K 3	8871-52-518	5230A -1	2 - F 4	F023-54-690B	5370A -1	2 - L 4	FA54-55-361 11	5500A -2	2 - D 5
8871-50-609	5030A -1	2 - G 3	8871-51-411	5103A -1	2 - K 3	8871-52-810G	5310A -1	2 - G 4	FA54-54-810A	5370A -1	2 - L 4	FA54-55-361 64	5500A -2	2 - D 5
FA01-50-681	5060A -1	2 - I 3	8871-51-421A	5103A -1	2 - K 3	8545-52-841	5320A -1	2 - H 4	8871-54-951A	5370A -1	2 - L 4	FA54-55-361 79	5500A -2	2 - D 5
FA02-50-682	5060A -1	2 - I 3	8871-51-430C	5103A -1	2 - K 3	0305-52-863B	5230A -1	2 - F 4	FA55-55-210B	5500A -1	2 - C 5	FA54-55-421	5520A -1	2 - F 5
FA02-50-683	5060A -1	2 - I 3	8871-51-432	5103A -1	2 - K 3	9965-52-5540	3700A -1	1 - H10	FA55-55-210B07	5500A -1	2 - C 5	FA54-55-441	5540A -1	2 - H 5
FA02-50-684	5060A -1	2 - I 3	FA01-51-440	5125A -1	2 - C 4	9965-53-0010	3700A -1	1 - H10	FA57-55-210B	5500A -1	2 - C 5	FA54-55-442	5540A -1	2 - H 5
FA01-50-685	5060A -1	2 - I 3	FA01-51-441	5125A -1	2 - C 4	9965-53-0015	3700A -2	1 - I10	FA57-55-210B07	5500A -1	2 - C 5	FA54-55-444	5540A -1	2 - H 5
FA01-50-691	5060A -1	2 - I 3	H001-51-511	5103A -1	2 - K 3	9965-53-0020	3700A -2	1 - I10	FA54-55-212	5500A -1	2 - C 5	FA54-55-446	5540A -1	2 - H 5

PART NUMBER INDEX

PART NUMBER	SECTION	LOCATION	PART NUMBER	SECTION	LOCATION	PART NUMBER	SECTION	LOCATION	PART NUMBER	SECTION	LOCATION	PART NUMBER	SECTION	LOCATION
FA54-55-447	5540A -1	2 - H 5	FA54-56-841	5370A -1	2 - L 4	FA55-57-680A	5790A -1	2 - H 6	8038-58-580A78	5830A -1	2 - J 6	FA54-60-121	5580A -1	2 - M 5
FA54-55-448	5540A -1	2 - H 5	FO02-56-961	3700A -2	1 - I 10	FA55-57-680A12	5790A -1	2 - H 6	G019-58-580	5830A -2	2 - K 6	FA54-60-125	5580A -1	2 - M 5
FA54-55-449	5540A -1	2 - H 5	FA54-56-961	3700A -2	1 - I 10	FA55-57-680A65	5790A -1	2 - H 6	8037-58-585	5830A -2	2 - K 6	FA54-60-141	5580A -1	2 - M 5
FA54-55-461	5540A -1	2 - H 5	8871-56-970D	5390A -1	2 - M 4	FA55-57-680A84	5790A -1	2 - H 6	8037-58-585 12	5830A -2	2 - K 6	FA54-60-151	5580A -1	2 - M 5
FA54-55-471	5540A -1	2 - H 5	0866-56-971	5390A -1	2 - M 4	FA55-57-690	5790A -1	2 - H 6	8037-58-585 65	5830A -2	2 - K 6	FA54-60-181	5580A -1	2 - M 5
FA54-55-481	5540A -1	2 - H 5	8871-56-981C	5390A -1	2 - M 4	FA55-57-690 07	5790A -1	2 - H 6	8037-58-585 78	5830A -2	2 - K 6	FA54-60-191	5580A -1	2 - M 5
FA54-55-490	5540A -1	2 - H 5	8871-56-990A	5390A -1	2 - M 4	FA55-57-690 12	5790A -1	2 - H 6	FA02-58-590	5830A -1	2 - J 6	FA54-60-221	5500A -2	2 - D 5
FA54-55-491	5540A -1	2 - H 5	FA57-57-100	5700A -3	2 - E 6	FA55-57-690 84	5790A -1	2 - H 6	8871-58-603	5800A -1	2 - I 6	FA54-60-221 10	5500A -2	2 - D 5
FA54-55-710	5500A -2	2 - D 5	FA57-57-100	5700A -3	2 - E 6	FA77-57-690	5790A -1	2 - H 6	8871-58-605C	5800A -1	2 - I 6	FA54-60-221 65	5500A -2	2 - D 5
FA54-56-030A	1850A -1	1 - M 6	FA57-57-100	5700A -3	2 - E 6	FA77-57-690 07	5790A -1	2 - H 6	0259-58-612	5560A -1	2 - J 5	FA54-60-221 78	5500A -2	2 - D 5
1011-56-051	5390A -1	2 - M 4	FA57-57-100	5700A -3	2 - E 6	FA77-57-690 12	5790A -1	2 - H 6	8871-58-760	5800A -1	2 - I 6	BA70-60-222	5500A -2	2 - D 5
8001-56-051	5390A -1	2 - M 4	FA58-57-100	5700A -3	2 - E 6	FA77-57-690 84	5790A -1	2 - H 6	G030-58-762	5800A -1	2 - I 6	FA54-60-230	5500A -2	2 - D 5
8545-56-053	5390A -1	2 - M 4	FA58-57-100	5700A -3	2 - E 6	FA55-57-999	5790A -1	2 - H 6	8871-58-781	5840A -2	2 - D 7	FA54-60-230 10	5500A -2	2 - D 5
8973-56-065B	6330A -1	2 - C 9	FA58-57-100	5700A -3	2 - E 6	FA54-58-010H	5800A -1	2 - I 6	8871-58-791	5840A -2	2 - D 7	FA54-60-230 65	5500A -2	2 - D 5
8973-56-066	6330A -1	2 - C 9	FA58-57-100	5700A -3	2 - E 6	8981-58-020E	5800A -1	2 - I 6	8038-58-866	5830A -2	2 - K 6	FA54-60-230 78	5500A -2	2 - D 5
FA54-56-111C	5390A -1	2 - M 4	FA59-57-100	5700A -3	2 - E 6	8871-58-210	5800A -1	2 - I 6	0559-58-868	4000A -2	1 - M 10	FA54-60-245	5500A -2	2 - D 5
FA54-56-130	5320A -1	2 - H 4	FA59-57-100	5700A -3	2 - E 6	1011-58-231	5800A -1	2 - I 6	0259-58-906	5830A -2	2 - K 6	FA54-60-246	5500A -2	2 - D 5
FA54-56-140	5320A -1	2 - H 4	FA59-57-100	5700A -3	2 - E 6	8531-58-231A	5800A -1	2 - I 6	0187-58-922	5840A -2	2 - D 7	G001-60-261	5500A -2	2 - D 5
8871-56-191C	5320A -1	2 - H 4	FA59-57-100	5700A -3	2 - E 6	8032-58-240	5800A -1	2 - I 6	0223-58-962	0900A -1	2 - C 3	FA54-60-350	5560A -1	2 - J 5
0118-56-241	5390A -1	2 - M 4	FA80-57-100	5700A -3	2 - E 6	8116-58-303	5830A -1	2 - J 6	9965-59-0010	3700A -2	1 - I 10	FA54-60-350 11	5560A -1	2 - J 5
0118-56-241	6125B -1	2 - L 7	FA80-57-100	5700A -3	2 - E 6	8116-58-303 12	5830A -1	2 - J 6	FA54-59-010H	5800A -1	2 - I 6	FA54-60-350 64	5560A -1	2 - J 5
0118-56-242B	5390A -1	2 - M 4	FA80-57-100	5700A -3	2 - E 6	8116-58-303 65	5830A -1	2 - J 6	9965-59-0015	3700A -2	1 - I 10	FA54-60-350 79	5560A -1	2 - J 5
8871-56-271E	5390A -1	2 - M 4	2155-57-109	5700A -3	2 - E 6	8116-58-303 78	5830A -1	2 - J 6	8871-59-020E	5800A -1	2 - I 6	FA54-60-357	5520A -1	2 - F 5
8871-56-281D	5390A -1	2 - M 4	FA57-57-150A	5700A -3	2 - E 6	0259-58-305B	5830A -1	2 - J 6	9965-59-0020	3700A -2	1 - I 10	FA54-60-358	5550A -1	2 - I 5
FA66-56-360	1330AA-1	1 - F 4	FA57-57-150A	5700A -3	2 - E 6	0305-58-309	5830A -1	2 - J 6	9965-59-0025	3700A -2	1 - I 10	FA54-60-365	5570A -1	2 - K 5
FA66-56-366	5310A -1	2 - G 4	FA57-57-150A	5700A -3	2 - E 6	FA54-58-310A	5830A -1	2 - J 6	9965-59-0030	3700A -2	1 - I 10	FA54-60-368	5580A -1	2 - M 5
FA54-56-370	5310A -1	2 - G 4	FA57-57-150A	5700A -3	2 - E 6	1243-58-314	5830A -1	2 - J 6	9965-59-0035	3700A -2	1 - I 10	FA54-60-369	5500A -2	2 - D 5
FA66-56-370	5310A -1	2 - G 4	FA58-57-150A	5700A -3	2 - E 6	G030-58-315	6230A -1	2 - L 8	9965-59-0040	3700A -2	1 - I 10	FA54-60-369	5580A -1	2 - M 5
FA01-56-374	1500AA-1	1 - I 5	FA58-57-150A	5700A -3	2 - E 6	G030-58-316A	5830A -2	2 - K 6	9965-59-0045	3700A -2	1 - I 10	FA54-60-420A	5560A -1	2 - J 5
FA54-56-380A	5310A -1	2 - G 4	FA58-57-150A	5700A -3	2 - E 6	G030-58-316A10	5830A -2	2 - K 6	9965-59-0050	3700A -2	1 - I 10	FA54-60-440	5560A -1	2 - J 5
FA66-56-380	5310A -1	2 - G 4	FA58-57-150A	5700A -3	2 - E 6	G030-58-316A65	5830A -2	2 - K 6	9965-59-0060	3700A -2	1 - I 10	FA54-60-445	5560A -1	2 - J 5
FA54-56-391	5330A -1	2 - I 4	FA59-57-150A	5700A -3	2 - E 6	G030-58-316A78	5830A -2	2 - K 6	8871-59-210	5800A -1	2 - I 6	FA54-60-446	5560A -1	2 - J 5
FA55-56-410A	5390A -1	2 - M 4	FA59-57-150A	5700A -3	2 - E 6	8545-58-330	5830A -1	2 - J 6	8531-59-240A	5800A -1	2 - I 6	FA54-60-481	5560A -1	2 - J 5
FA54-56-420B	5390A -1	2 - M 4	FA59-57-150A	5700A -3	2 - E 6	8531-58-361	5830A -1	2 - J 6	FA54-59-310A	5830A -1	2 - J 6	FA54-60-531	5560A -1	2 - J 5
FA55-56-431B	5390A -1	2 - M 4	FA59-57-150A	5700A -3	2 - E 6	0223-58-375A	5830A -1	2 - J 6	FA54-59-390	5830A -1	2 - J 6	9923-60-571	1100A -1	1 - G 3
FA54-56-440D	5390A -1	2 - M 4	FA80-57-150	5700A -3	2 - E 6	0223-58-375A00	5830A -1	2 - J 6	FA54-59-390 10	5830A -1	2 - J 6	0305-60-690	6230A -1	2 - L 8
FA54-56-440E	5390A -1	2 - M 4	FA80-57-150	5700A -3	2 - E 6	0223-58-375A12	5830A -1	2 - J 6	FA54-59-390 65	5830A -1	2 - J 6	FA54-60-785	5560A -1	2 - J 5
FA55-56-440F	5390A -1	2 - M 4	FA80-57-150	5700A -3	2 - E 6	0223-58-375A65	5830A -1	2 - J 6	FA54-59-390 78	5830A -1	2 - J 6	FA54-60-785 10	5560A -1	2 - J 5
FA54-56-510B	5370A -1	2 - L 4	0286-57-318	5830A -1	2 - J 6	0223-58-375A78	5830A -1	2 - J 6	8871-59-410C	5830A -1	2 - J 6	FA54-60-785 65	5560A -1	2 - J 5
FA54-56-541B	5370A -1	2 - L 4	FA55-57-620A	5790A -1	2 - H 6	FA54-58-390	5830A -1	2 - J 6	FA54-59-490B	5830A -1	2 - J 6	FA54-60-785 78	5560A -1	2 - J 5
8871-56-560A	5370A -1	2 - L 4	FA55-57-620A12	5790A -1	2 - H 6	FA54-58-390 10	5830A -1	2 - J 6	8871-59-501E	5800A -1	2 - I 6	FA54-60-786	5560A -1	2 - J 5
1708-56-620D	5230A -1	2 - F 4	FA55-57-620A65	5790A -1	2 - H 6	FA54-58-390 65	5830A -1	2 - J 6	FA66-59-501	5800A -1	2 - I 6	FA54-60-786 10	5560A -1	2 - J 5
0810-56-639	5390A -1	2 - M 4	FA55-57-620A84	5790A -1	2 - H 6	FA54-58-390 78	5830A -1	2 - J 6	8871-59-560A	5830A -1	2 - J 6	FA54-60-786 65	5560A -1	2 - J 5
0810-56-639	6100A -1	2 - H 7	FA55-57-630A	5790A -1	2 - H 6	8871-58-410C	5830A -1	2 - J 6	FA02-59-560	5830A -1	2 - J 6	FA54-60-786 78	5560A -1	2 - J 5
1011-56-672A	5230A -1	2 - F 4	FA55-57-630A07	5790A -1	2 - H 6	1243-58-411	5830A -1	2 - J 6	G019-59-580	5830A -2	2 - K 6	FA54-60-795	5560A -1	2 - J 5
8871-56-710A	5230A -1	2 - F 4	FA55-57-630A12	5790A -1	2 - H 6	G001-58-485A	0900A -1	2 - C 3	FA02-59-590	5830A -1	2 - J 6	FA54-60-795 10	5560A -1	2 - J 5
8871-56-751A	5340A -1	2 - J 4	FA55-57-630A84	5790A -1	2 - H 6	FA54-58-495	0900A -1	2 - C 3	8871-59-603	5800A -1	2 - I 6	FA54-60-795 65	5560A -1	2 - J 5
8871-56-785	5230A -1	2 - F 4	FA77-57-630	5790A -1	2 - H 6	8871-58-501E	5800A -1	2 - I 6	8871-59-760	5800A -1	2 - I 6	FA54-60-795 78	5560A -1	2 - J 5
8871-56-787A	5230A -1	2 - F 4	FA77-57-630 07	5790A -1	2 - H 6	FA66-58-501	5800A -1	2 - I 6	8871-60-050A	5500A -2	2 - D 5	FA54-60-960	4200A -1	1 - D 11
FA54-56-791	5330A -1	2 - I 4	FA77-57-630 12	5790A -1	2 - H 6	1243-58-558	6704A -1	2 - I 10	0305-60-052A	5500A -2	2 - D 5	8871-60-962A	4200A -1	1 - D 11
FA54-56-791	5330A -1	2 - I 4	FA77-57-630 84	5790A -1	2 - H 6	8871-58-560A	5830A -1	2 - J 6	1243-60-052	5500A -2	2 - D 5	9963-60-4130	3700A -1	1 - H 10
G030-56-793	5330A -1	2 - I 4	G070-57-631	5790A -1	2 - H 6	FA02-58-560	5830A 1	2 - J 6	3716-60-053A	5500A -2	2 - D 5	9958-60-8166	1700A -1	1 - M 5
8545-56-801A	5230A -1	2 - F 4	G070-57-631 12	5790A -1	2 - H 6	8038-58-580A	5830A 1	2 - J 6	8203-60-054	5500A -2	2 - D 5	9958-60-8166	1920A -1	1 - C 7
FA72-56-820C	5310A -1	2 - G 4	G070-57-631 65	5790A -1	2 - H 6	8038-58-580A12	5830A -1	2 - J 6	8871-60-070B	5530A -1	2 - G 5	9965-61-0010	3700A -2	1 - I 10
FA72-56-830C	5310A -1	2 - G 4	G070-57-631 84	5790A -1	2 - H 6	8038-58-580A65	5830A -1	2 - J 6	FA55-60-070B	5530A -1	2 - G 5	9965-61-0015	3700A -2	1 - I 10

PART NUMBER INDEX

PART NUMBER	SECTION	LOCATION	PART NUMBER	SECTION	LOCATION	PART NUMBER	SECTION	LOCATION	PART NUMBER	SECTION	LOCATION	PART NUMBER	SECTION	LOCATION
9965-61-0020	3700A -2	1 - 110	8871-62-636A	6230A -1	2 - L 8	FA54-64-161	5560A -1	2 - J 5	H001-64-625A	5500A -2	2 - D 5	FA54-66-170C10	6612A -1	2 - H 9
9965-61-0025	3700A -2	1 - 110	8871-62-636A	6750A -1	2 - M10	FA55-64-161	5560A -1	2 - J 5	FA54-64-630	5500A -2	2 - D 5	FA54-66-170C65	6612A -1	2 - H 9
9965-61-0030	3700A -2	1 - 110	8871-62-637	6230A -1	2 - L 8	FA54-64-240	5570A -1	2 - K 5	FA54-64-630 07	5500A -2	2 - D 5	FA54-66-170C78	6612A -1	2 - H 9
1708-61-031	6125B -1	2 - L 7	8871-62-761D	6300A -1	2 - M 8	FA54-64-240 09	5570A -1	2 - K 5	FA54-64-710	5580A -1	2 - M 5	FA55-66-170C	6612A -1	2 - H 9
9965-61-0035	3700A -2	1 - 110	FA56-62-801A	6330A -1	2 - C 9	FA54-64-240 12	5570A -1	2 - K 5	FA54-64-710 11	5580A -1	2 - M 5	FA55-66-170C10	6612A -1	2 - H 9
9965-61-0040	3700A -2	1 - 110	FA56-62-801A16	6330A -1	2 - C 9	FA54-64-240 79	5570A -1	2 - K 5	FA54-64-710 64	5580A -1	2 - M 5	FA55-66-170C65	6612A -1	2 - H 9
9965-61-0045	3700A -2	1 - 110	FA56-62-801A64	6330A -1	2 - C 9	H002-64-245	6900A -1	2 - K11	FA54-64-710 79	5580A -1	2 - M 5	FA55-66-170C78	6612A -1	2 - H 9
9965-61-0050	3700A -2	1 - 110	FA56-62-801A77	6330A -1	2 - C 9	FA54-64-250	5570A -1	2 - K 5	FA54-64-715	5580A -1	2 - M 5	FA54-66-180C	6613A -1	2 - I 9
9965-61-0060	3700A -2	1 - 110	8970-62-805B	6330A -1	2 - C 9	FA54-64-250 09	5570A -1	2 - K 5	FA54-64-715 11	5580A -1	2 - M 5	FA54-66-180C10	6613A -1	2 - I 9
8597-61-122	5500A -2	2 - D 5	8970-62-815B	6330A -1	2 - C 9	FA54-64-250 12	5570A -1	2 - K 5	FA54-64-715 64	5580A -1	2 - M 5	FA54-66-180C65	6613A -1	2 - I 9
8597-61-122	5560A -1	2 - J 5	8346-62-820A	6330A -1	2 - C 9	FA54-64-250 79	5570A -1	2 - K 5	FA54-64-715 79	5580A -1	2 - M 5	FA54-66-180C78	6613A -1	2 - I 9
FA54-61-130	6100A -1	2 - H 7	8346-62-871A	6330A -1	2 - C 9	FA54-64-350C	5570A -1	2 - K 5	FA54-64-71X	5500A -1	2 - C 5	H003-66-190B	4300A -1	1 - E11
FA55-61-130A	6100A -1	2 - H 7	8346-62-875A	6330A -1	2 - C 9	FA54-64-350C12	5570A -1	2 - K 5	FA54-64-720	5580A -1	2 - M 5	H001-66-241	6610A -1	2 - F 9
FA55-61-140A	6100A -1	2 - H 7	8346-62-876	6330A -1	2 - C 9	FA54-64-350C63	5570A -1	2 - K 5	FA54-64-720 11	5580A -1	2 - M 5	8871-66-242	6610A -1	2 - F 9
8871-61-150	6100A -1	2 - H 7	8346-62-878A	6330A -1	2 - C 9	FA54-64-350C77	5570A -1	2 - K 5	FA54-64-720 64	5580A -1	2 - M 5	FA54-66-250A	6610A -1	2 - F 9
FA54-61-180	6100A -1	2 - H 7	8346-62-879	6330A -1	2 - C 9	FA54-64-350A	5570A -1	2 - K 5	FA54-64-720 79	5580A -1	2 - M 5	8182-66-251	6610A -1	2 - F 9
FA54-61-181B	6100A -1	2 - H 7	FA04-62-881A	6330A -1	2 - C 9	FA55-64-350A07	5570A -1	2 - K 5	FA54-64-727	5580A -1	2 - M 5	FA43-66-310B	6640A -1	2 - N 9
FA54-61-181B07	6100A -1	2 - H 7	FA04-62-881A11	6330A -1	2 - C 9	FA54-64-351C	5570A -1	2 - K 5	FA54-64-727A	5580A -1	2 - M 5	FA66-66-310B	6640A -1	2 - N 9
FA54-61-190E	6100A -1	2 - H 7	FA04-62-881A65	6330A -1	2 - C 9	FA54-64-351C12	5570A -1	2 - K 5	FA54-64-728A	5580A -1	2 - M 5	FA43-66-311	6640A -1	2 - N 9
FA55-61-190G	6100A -1	2 - H 7	FA04-62-881A78	6330A -1	2 - C 9	FA54-64-351C63	5570A -1	2 - K 5	FA54-64-729	5580A -1	2 - M 5	FA03-66-312	6640A -1	2 - N 9
FA55-61-195B	6100A -1	2 - H 7	8346-62-882	6330A -1	2 - C 9	FA54-64-351C77	5570A -1	2 - K 5	FA54-64-751A	5580A -1	2 - M 5	FA43-66-315	6640A -1	2 - N 9
FA55-61-195B07	6100A -1	2 - H 7	8346-62-883	6330A -1	2 - C 9	FA55-64-370	5570A -1	2 - K 5	FA54-64-762	5580A -1	2 - M 5	FA30-66-320B	6640A -1	2 - N 9
FA55-61-195C	6100A -1	2 - H 7	8346-62-885	6330A -1	2 - C 9	FA54-64-410	5570A -1	2 - K 5	FA54-64-763	5580A -1	2 - M 5	FA66-66-320	6640A -1	2 - N 9
FA55-61-195C07	6100A -1	2 - H 7	FA01-62-950D	6300A -1	2 - M 8	FA54-64-410 11	5570A -1	2 - K 5	FA54-64-771	5580A -1	2 - M 5	FA54-66-340A	6610A -1	2 - F 9
FA54-61-200	6100A -1	2 - H 7	FA66-62-950	6300A -1	2 - M 8	FA54-64-410 64	5570A -1	2 - K 5	FA54-64-772B	5580A -1	2 - M 5	FA54-66-350	6615A -1	2 - J 9
FA54-61-200A	6100A -1	2 - H 7	8871-62-960A	6300A -1	2 - M 8	FA54-64-410 79	5570A -1	2 - K 5	FA54-64-773	5580A -1	2 - M 5	FA55-66-350	6615A -1	2 - J 9
FA54-61-205	6100A -1	2 - H 7	8871-62-966A	6300A -1	2 - M 8	FA55-64-410	5570A -2	2 - L 5	FA54-64-810	5580A -1	2 - M 5	FA43-66-361A	6640A -1	2 - N 9
8871-61-212	6100A -1	2 - H 7	FA01-62-970	6300A -1	2 - M 8	FA55-64-410 11	5570A -2	2 - L 5	FA54-64-810 11	5580A -1	2 - M 5	FA66-66-361	6640A -1	2 - N 9
FA54-61-212A	6100A -1	2 - H 7	8346-62-980	6330A -1	2 - C 9	FA55-64-410 64	5570A -2	2 - L 5	FA54-64-810 64	5580A -1	2 - M 5	FA43-66-365	6640A -1	2 - N 9
FA42-61-213A	6100A -1	2 - H 7	8871-63-210B	6230A -1	2 - L 8	FA55-64-410 79	5570A -2	2 - L 5	FA54-64-810 79	5580A -1	2 - M 5	0212-66-371	6750A -1	2 - M10
8871-61-219A	6100A -1	2 - H 7	8871-63-231	6230A -1	2 - L 8	FA54-64-412	5570A -2	2 - L 5	FA54-64-820	5580A -1	2 - M 5	3874-66-371	5120A -1	2 - N 3
FA42-61-220C	6100A -1	2 - H 7	8871-63-241A	6230A -1	2 - L 8	FA54-64-413	5570A -2	2 - L 5	FA54-64-820 11	5580A -1	2 - M 5	0212-66-372A	6750A -1	2 - M10
FA54-61-220C	6100A -1	2 - H 7	8346-63-875A	6330A -1	2 - C 9	FA54-64-414	5570A -1	2 - K 5	FA54-64-820 64	5580A -1	2 - M 5	3874-66-373	5120A -1	2 - N 3
8871-61-230	6100A -1	2 - H 7	8346-63-876	6330A -1	2 - C 9	8871-64-415	5570A -1	2 - K 5	FA54-64-820 79	5580A -1	2 - M 5	8871-66-450	6620A -1	2 - K 9
FA54-61-231	6100A -1	2 - H 7	FA54-63-901E	6300A -1	2 - M 8	FA54-64-420	5570A -2	2 - L 5	FA54-64-850A	5500A -3	2 - E 5	F034-66-470	6620A -1	2 - K 9
0222-61-622	5390A -1	2 - M 4	FA66-63-901	6300A -1	2 - M 8	FA54-64-420 11	5570A -2	2 - L 5	FA54-64-850A11	5500A -3	2 - E 5	B001-66-490A	4300A -1	1 - E11
0222-61-622	6704A -1	2 - 110	FA72-63-901E	6300A -1	2 - M 8	FA54-64-420 64	5570A -2	2 - L 5	FA54-64-850A64	5500A -3	2 - E 5	H003-66-490A	4300A -1	1 - E11
9960-62-203	1580A -1	1 - K 5	1243-63-902	6300A -1	2 - M 8	FA54-64-420 79	5570A -2	2 - L 5	FA54-64-850A79	5500A -3	2 - E 5	B001-66-540	6620A -1	2 - K 9
8871-62-210B	6230A -1	2 - L 8	8871-63-911	6300A -1	2 - M 8	FA54-64-430	5570A -2	2 - L 5	B002-64-903	5560A -1	2 - J 5	FA54-66-540	5560A -1	2 - J 5
8871-62-231	6230A -1	2 - L 8	8871-63-935A	6300A -1	2 - M 8	FA54-64-451	5570A -1	2 - K 5	H043-64-996A	5560A -1	2 - J 5	G030-66-540B	6900A -1	2 - K11
8871-62-232A	6230A -1	2 - L 8	8871-63-942	6300A -1	2 - M 8	FA54-64-451 11	5570A -1	2 - K 5	0613-65-857A	1850A -1	1 - M 6	FA54-66-600	6610A -1	2 - F 9
8871-62-233	6230A -1	2 - L 8	FA01-63-950D	6300A -1	2 - M 8	FA54-64-451 64	5570A -1	2 - K 5	0483-66-061A	5100A -1	2 - J 3	FA55-66-620B	5570A -2	2 - L 5
8871-62-241A	6230A -1	2 - L 8	FA66-63-950	6300A -1	2 - M 8	FA54-64-451 79	5570A -1	2 - K 5	FA54-66-120C	6611A -1	2 - G 9	H044-66-630B	6610A -1	2 - F 9
FA01-62-310C	6230A -1	2 - L 8	8871-63-960A	6300A -1	2 - M 8	FA55-64-451	5570A -1	2 - K 5	FA58-66-120C	6611A -1	2 - G 9	H044-66-700B	6610A -1	2 - F 9
FA02-62-310B	6230A -1	2 - L 8	FA01-63-970	6300A -1	2 - M 8	FA55-64-451 11	5570A -1	2 - K 5	FA54-66-122	6611A -1	2 - G 9	FA54-66-730	6700A -1	2 - E10
8341-62-315	6230A -1	2 - L 8	FA54-64-030A	5560A -1	2 - J 5	FA55-64-451 64	5570A -1	2 - K 5	FA54-66-123	6611A -1	2 - G 9	FA54-66-731	6700A -1	2 - E10
8871-62-361	6230A -1	2 - L 8	FA54-64-030A11	5560A -1	2 - J 5	FA55-64-451 79	5570A -1	2 - K 5	H001-66-124	6611A -1	2 - G 9	FA54-66-732	6700A -1	2 - E10
FA01-62-365	6230A -1	2 - L 8	FA54-64-030A64	5560A -1	2 - J 5	1011-64-461A	6900A -1	2 - K11	BA29-66-126	6611A -1	2 - G 9	FA56-66-760	6700A -1	2 - E10
FA01-62-366	6230A -1	2 - L 8	FA54-64-030A79	5560A -1	2 - J 5	1011-64-461A00	6900A -1	2 - K11	8182-66-127	6611A -1	2 - G 9	H003-66-760	6700A -1	2 - E10
8871-62-367	6230A -1	2 - L 8	FA54-64-035	5560A -1	2 - J 5	FA01-64-491	5570A -2	2 - L 5	FA02-66-128	6611A -1	2 - G 9	BC22-66-780B	6635A -1	2 - M 9
B001-62-495	0900A -1	2 - C 3	FA54-64-042	5560A -1	2 - J 5	FA01-64-492	5570A -2	2 - L 5	FA54-66-129	6611A -1	2 - G 9	BC22-66-790B	6635A -1	2 - M 9
8871-62-621	6230A -1	2 - L 8	FA54-64-044	5560A -1	2 - J 5	FA01-64-494	5570A -1	2 - K 5	FA54-66-151	0900A -1	2 - C 3	FA01-66-810A	6630A -1	2 - L 9
8871-62-631	6230A -1	2 - L 8	FA54-64-045	5560A -1	2 - J 5	FA54-64-610	5500A -2	2 - D 5	H043-66-154	0900A -1	2 - C 3	FA54-66-821B	6630A -1	2 - L 9
8871-62-635A	6230A -1	2 - L 8	H043-64-050	5560A -1	2 - J 5	FA54-64-610 07	5500A -2	2 - D 5	BC46-66-158	0900A -1	2 - C 3	0710-66-868A	6682A -1	2 - D10
8871-62-635A	6750A -1	2 - M10	FA54-64-101	5560A -1	2 - J 5	FA54-64-620	5500A -2	2 - D 5	FA54-66-170C	6612A -1	2 - H 9	FA55-66-906	6680A -1	2 - C10

PART NUMBER INDEX

PART NUMBER	SECTION	LOCATION	PART NUMBER	SECTION	LOCATION	PART NUMBER	SECTION	LOCATION	PART NUMBER	SECTION	LOCATION	PART NUMBER	SECTION	LOCATION
FA54-66-510A	6682A	2-D10	0000-67-0123-40	6142B	2-F8	0866-67-717	6630A	2-L9	0000-67-D19A-3A	6142B	2-F8	FA01-68-029A	6800A	2-C11
FA55-66-910A	6682A	2-D10	0000-67-0123-38	6142B	2-F8	1480-67-740	6630A	2-L9	0000-67-D20A-3A	6142B	2-F8	FA54-68-030A	6800A	2-C11
FA59-66-910D	6682A	2-D10	0000-67-0123-39	6142B	2-F8	8173-67-740A	6630A	2-L9	0000-67-D21A-3A	6142B	2-F8	FA54-68-030A16	6800A	2-C11
FA42-66-930A	6682A	2-D10	0000-67-0123-18	6152B	2-K8	B002-67-740A	6630A	2-L9	0000-67-D22A-3A	6142B	2-F8	FA54-68-030A64	6800A	2-C11
FA54-66-931	6630A	2-L9	0000-67-0123-21	6152B	2-K8	B002-67-740A	6630A	2-L9	0000-67-D23A-6A	6142B	2-F8	FA54-68-030A77	6800A	2-C11
FA54-66-936	6682A	2-D10	0000-67-0124-26	6142B	2-F8	FA01-67-740	6630A	2-L9	0000-67-D24A-3A	6142B	2-F8	FA56-68-030	6800A	2-C11
FA54-66-940C	6682A	2-D10	0000-67-0126-23	6142B	2-F8	FA55-67-740	6600A	2-E9	0000-67-E10A-4A	6132B	2-C8	FA56-68-030 16	6800A	2-C11
FA02-66-941	6682A	2-D10	0000-67-0127-08	6142B	2-F8	G045-67-740A	6600A	2-D9	0000-67-E20A-4A	6132B	2-C8	FA56-68-030 64	6800A	2-C11
FA42-66-941A	6682A	2-D10	0866-67-156	6720A	2-J10	FA54-67-741	6630A	2-L9	0000-67-E30A-4A	6132B	2-C8	FA56-68-030 77	6800A	2-C11
FA43-66-942	6682A	2-D10	FA54-67-190B	6703A	2-H10	FA54-67-742	6600A	2-D9	0000-67-Y10A-06	6142B	2-F8	FA54-68-031	6900A	2-K11
FA01-66-944	6682A	2-D10	FA58-67-190B	6703A	2-H10	0000-67-095B-17	6152B	2-K8	0000-67-X10M-25	6132B	2-C8	FA54-68-031 11	6900A	2-K11
FA42-66-945	6682A	2-D10	HA71-67-191	6704A	2-I10	FA66-67-980A	6630A	2-L9	0000-67-X10M-25	6142B	2-F8	FA54-68-031 65	6900A	2-K11
FA01-66-946	6682A	2-D10	FA54-67-200B	6703A	2-H10	8342-67-985	6701A	2-F10	0000-67-X10M-13	6142B	2-F8	FA54-68-031 78	6900A	2-K11
FA07-66-970	6682A	2-D10	FA58-67-200B	6703A	2-H10	0000-67-A10A-4A	6132B	2-C8	0000-67-X10M-05	6142B	2-F8	0000-68-0032-80	6140B	2-E8
0222-66-971	5390A	2-M4	FA54-67-250E	1850A	1-M6	0000-67-A21A-4A	6132B	2-C8	0000-67-X20A-00	6152B	2-K8	B001-68-032	5310A	2-G4
0222-66-971	5500A	2-D5	FA55-67-250F	1850A	1-M6	0000-67-A22A-4A	6132B	2-C8	0000-67-X20M-00	6132B	2-C8	B001-68-032 00	5310A	2-G4
FA07-66-980	6682A	2-D10	FA66-67-250E	1850A	1-M6	0000-67-A40A-4A	6132B	2-C8	0000-67-X20M-00	6152B	2-K8	0000-68-0035-40	6150B	2-J8
0820-66-992	6682A	2-D10	FA54-67-260B	1850A	1-M6	0000-67-A41A-4A	6132B	2-C8	0000-67-X30A-04	6132B	2-C8	0000-68-0038-91	6140B	2-E8
0000-67-0007-37	6152B	2-K8	1011-67-291A	1850A	1-M6	0000-67-A42A-4A	6132B	2-C8	0000-67-X40A-02	6142B	2-F8	0000-68-0050-30	6130B	2-N7
FA54-67-010L	6700A	2-E10	1011-67-293	1850A	1-M6	0000-67-A43A-4A	6132B	2-C8	0000-67-X40A-01	6142B	2-F8	0810-68-070E	6870A	2-J11
FA66-67-010K	6700A	2-E10	0866-67-301A	6730A	2-K10	0000-67-A43A-6F	6132B	2-C8	0000-67-X40M-03	6132B	2-C8	FA56-68-070A	6800A	2-C11
FA54-67-011	6704A	2-I10	0866-67-302	6730A	2-K10	0000-67-A44A-6F	6132B	2-C8	0000-67-X40M-22	6142B	2-F8	FA56-68-070A16	6800A	2-C11
FA66-67-011	6701A	2-F10	FA54-67-321	6730A	2-K10	0000-67-A91A-4A	6132B	2-C8	0000-67-X40M-02	6152B	2-K8	FA56-68-070A64	6800A	2-C11
0000-67-0012-72	6132B	2-C8	8144-67-330A	6750A	2-M10	0000-67-A92A-4A	6132B	2-C8	0000-67-X50A-00	6142B	2-F8	FA56-68-070A77	6800A	2-C11
FA54-67-030F	6702A	2-G10	HA40-67-330	6730A	2-K10	0000-67-A93A-3F	6132B	2-C8	0000-67-X60A-00	6132B	2-C8	0000-68-0072-60	6130B	2-N7
FA54-67-031	6702A	2-G10	0000-67-0336-81	6152B	2-K8	0000-67-B10A-4A	6152B	2-K8	0000-67-1970-62	6132B	2-C8	0000-68-0075-40	6150B	2-J8
G030-67-043A	6704A	2-I10	8872-67-350A	6730A	2-K10	0000-67-B11A-4A	6152B	2-K8	0000-67-1970-63	6132B	2-C8	0000-68-0086-51	6140B	2-E8
FA54-67-049A	6700A	2-E10	W047-67-354	6740A	2-L10	0000-67-B13A-4A	6152B	2-K8	0000-67-1976-92	6142B	2-F8	8973-68-090C	6900A	2-K11
FA54-67-050F	6700A	2-E10	F001-67-375	6730A	2-K10	0000-67-B16A-4A	6152B	2-K8	0000-67-1977-25	6152B	2-K8	0000-68-0103-50	6145B	2-H8
1480-67-051B	6700A	2-E10	0000-67-0406-55	6152B	2-K8	0000-67-B17A-4A	6152B	2-K8	0000-67-1977-34	6152B	2-K8	0000-68-0103-40	6145B	2-H8
8341-67-051A	6700A	2-E10	1480-67-421A	6750A	2-M10	0000-67-B21A-4A	6152B	2-K8	0000-67-1981-83	6132B	2-C8	FA54-68-110D	6820A	2-D11
8341-67-051A	6700A	2-E10	1480-67-435	6750A	2-M10	0000-67-B27A-5Q	6152B	2-K8	0000-67-1981-79	6142B	2-F8	FA54-68-110D16	6820A	2-D11
FA54-67-051	6682A	2-D10	1480-67-436	6750A	2-M10	0000-67-B30A-4A	6152B	2-K8	0000-67-1982-26	6152B	2-K8	FA54-68-110D64	6820A	2-D11
FA54-67-051	6704A	2-I10	1480-67-450C	6750A	2-M10	0000-67-B32A-4A	6152B	2-K8	0000-67-1983-77	6132B	2-C8	FA54-68-1JD77	6820A	2-D11
H001-67-051	6704A	2-I10	1410-67-480C	6750A	2-M10	0000-67-B43A-4A	6152B	2-K8	0000-67-1983-82	6132B	2-C8	FA54-68-1J0D	6820A	2-D11
G030-67-054	6704A	2-I10	FA42-67-480B	6720A	2-J10	0000-67-B44A-3B	6152B	2-K8	0000-67-1983-77	6142B	2-F8	FA54-68-120D16	6820A	2-D11
W023-67-056	5010A	2-F3	FA68-67-500A	6720A	2-J10	0000-67-B44A-4A	6152B	2-K8	0000-67-1983-76	6142B	2-F8	FA54-68-120D64	6820A	2-D11
W023-67-056	5310A	2-G4	1480-67-501A	6750A	2-M10	0000-67-B45A-4A	6152B	2-K8	0000-67-1983-70	6142B	2-F8	FA54-68-120D77	6820A	2-D11
G001-67-058	6704A	2-I10	H001-67-502	6720A	2-J10	0000-67-B62A-4A	6152B	2-K8	0000-67-1997-86	6132B	2-C8	G030-68-151	5500A	2-E5
G001-67-059	5800A	2-I6	FA54-67-508	6720A	2-J10	0000-67-B63A-4A	6152B	2-K8	0000-67-1997-16	6132B	2-C8	FA54-68-170A	6820A	2-D11
G001-67-059	6704A	2-I10	1480-67-510	6750A	2-M10	0000-67-B80A-5Q	6152B	2-K8	0000-67-5409-03	1580A	1-K5	FA54-68-170A11	6820A	2-D11
G001-67-061	5500A	2-D5	FA54-67-510	6720A	2-J10	0000-67-B81A-4A	6152B	2-K8	0000-67-5409-03	6142B	2-F8	FA54-68-170A65	6820A	2-D11
G001-67-061	6704A	2-I10	FA68-67-510	6720A	2-J10	0000-67-B81A-5Q	6152B	2-K8	0000-67-5715-75	6132B	2-C8	FA54-68-170A78	6820A	2-D11
FA54-67-062	6704A	2-I10	B001-67-519	6720A	2-J10	0000-67-B82A-4A	6152B	2-K8	0000-67-6716-50	6132B	2-C8	FA54-68-172	6820A	2-D11
FA54-67-090B	6701A	2-F10	1410-67-530	6750A	2-M10	0000-67-C10A-4A	6142B	2-F8	0000-67-6730-76	6132B	2-C8	FA54-68-190A	6820A	2-D11
FA57-67-090D	6701A	2-F10	FA54-67-560	6630A	2-L9	0000-67-C21A-4A	6142B	2-F8	0000-68-0006-00	6150B	2-J8	FA54-68-190A11	6820A	2-D11
FA66-67-090C	6701A	2-F10	8545-67-568	6630A	2-L9	0000-67-C22A-4A	6142B	2-F8	FA01-68-021	6800A	2-C11	FA54-68-190A65	6820A	2-D11
3775-67-099	6700A	2-E10	FA02-67-571	6630A	2-L9	0000-67-DJ0B-3A	6142B	2-F8	FA01-68-021 10	6800A	2-C11	FA54-68-190A78	6820A	2-D11
3777-67-099	6700A	2-E10	FA02-67-572	6630A	2-L9	0000-67-D10A-3A	6142B	2-F8	FA01-68-021 65	6800A	2-C11	8871-68-221A	6820A	2-D11
8871-67-099	6700A	2-E10	FA54-67-573	6630A	2-L9	0000-67-D11A-3A	6142B	2-F8	FA01-68-021 78	6800A	2-C11	8871-68-221A11	6820A	2-D11
FA54-67-120C	6702A	2-G10	FA02-67-574	6630A	2-L9	0000-67-D13B-3B	6142B	2-F8	FA56-68-025B	5840A	2-D7	8871-68-221A65	6820A	2-D11
FA58-67-120D	6702A	2-G10	FA02-67-577	6630A	2-L9	0000-67-D14A-3B	6142B	2-F8	FA56-68-025B11	5840A	2-D7	8871-68-221A78	6820A	2-D11
0000-67-0123-19	6132B	2-C8	1480-67-606	6750A	2-M10	0000-67-D16A-3A	6142B	2-F8	FA56-68-025B65	5840A	2-D7	8871-68-241A	6820A	2-D11
0000-67-0123-18	6132B	2-C8	6E32-67-680A	6630A	2-L9	0000-67-D17A-3A	6142B	2-F8	FA56-68-025B78	5840A	2-D7	8871-68-241A11	6820A	2-D11
0000-67-0123-17	6132B	2-C8	FA30-67-690A	6630A	2-L9	0000-67-D18A-3A	6142B	2-F8	0000-68-0026-70	6140B	2-E8	8871-68-241A65	6820A	2-D11

PART NUMBER INDEX

PART NUMBER INDEX

PART NUMBER	SECTION	LOCATION	PART NUMBER	SECTION	LOCATION	PART NUMBER	SECTION	LOCATION	PART NUMBER	SECTION	LOCATION	PART NUMBER	SECTION	LOCATION
8871-68-241A78	6820A -1	2 - D11	FA54-68-450B79	5840A -3	2 - E 7	FA54-68-55CA65	6840A -1	2 - F11	0305-68-810A	3700A -3	1 - J10	FA01-68-981 64	6820A -1	2 - D11
8871-68-271A	6820A -1	2 - D11	FA56-68-450E	5840A -3	2 - E 7	FA54-68-550A79	6840A -1	2 - F11	8871-68-851	6840A -2	2 - G11	FA01-68-981 77	6820A -1	2 - D11
8871-68-271A11	6820A -1	2 - D11	FA56-68-450E11	5840A -3	2 - E 7	FA56-68-550A	6840A -1	2 - F11	8871-68-851 11	6840A -2	2 - G11	FA01-68-991	6820A -1	2 - D11
8871-68-271A65	6820A -1	2 - D11	FA56-68-450E65	5840A -3	2 - E 7	FA56-68-550A11	6840A -1	2 - F11	8871-68-851 65	6840A -2	2 - G11	FA01-68-991 11	6820A -1	2 - D11
8871-68-271A78	6820A -1	2 - D11	FA56-68-450E78	5840A -3	2 - E 7	FA56-68-550A65	6840A -1	2 - F11	8871-68-851 78	6840A -2	2 - G11	FA01-68-991 64	6820A -1	2 - D11
8871-68-291A	6820A -1	2 - D11	FA57-68-450E	5840A -3	2 - E 7	FA56-68-550A78	6840A -1	2 - F11	8871-68-855	6840A -3	2 - H11	FA01-68-991 77	6820A -1	2 - D11
8871-68-291A11	6820A -1	2 - D11	FA57-68-450E11	5840A -3	2 - E 7	FA66-68-550A	6840A -1	2 - F11	8871-68-861A	6840A -2	2 - G11	0000-68-1002-20	6130B -2	2 - N 7
8871-68-291A65	6820A -1	2 - D11	FA57-68-450E78	5840A -3	2 - E 7	FA66-68-550A10	6840A -1	2 - F11	8871-68-861A11	6840A -2	2 - G11	0000-68-1005-30	6140B -2	2 - E 8
8871-68-291A78	6820A -2	2 - E11	FA58-68-450E	5840A -3	2 - E 7	FA66-68-550A65	6840A -1	2 - F11	8871-68-861A65	6840A -2	2 - G11	0000-68-1018-90	6140B -2	2 - E 8
FA66-68-370	6840A -1	2 - F11	FA58-68-450E11	5840A -3	2 - E 7	FA66-68-550A79	6840A -2	2 - G11	8871-68-861A78	6840A -2	2 - G11	0000-68-1036-61	6130B -2	2 - N 7
FA66-68-370 09	6840A -1	2 - F11	FA58-68-450E65	5840A -3	2 - E 7	FA54-68-620A	6860A -1	2 - I11	B040-68-865A	6800A -1	2 - C11	0000-68-1036-72	6130B -2	2 - N 7
FA66-68-370 12	6840A -1	2 - F11	FA58-68-450E78	5840A -3	2 - E 7	FA55-68-620A	6860A -1	2 - I11	B040-68-865A00	6800A -1	2 - C11	0000-68-1084-82	6130B -2	2 - N 7
FA66-68-370 78	6840A -1	2 - F11	FA66-68-450B	5840A -3	2 - E 7	FA54-68-651	6860A -1	2 - I11	FA54-68-865	6820A -2	2 - E11	0000-68-1100-40	6150B -2	2 - J 8
FA72-68-390	6840A -1	2 - F11	FA66-68-450B10	5840A -3	2 - E 7	FA54-68-652	6860A -1	2 - I11	G043-68-865B	6840A -2	2 - G11	0000-68-1107-31	6150B -2	2 - J 8
FA72-68-390 09	6840A -1	2 - F11	FA66-68-450B65	5840A -3	2 - E 7	1480-68-654A	6860A -1	2 - I11	G043-68-865B11	6840A -2	2 - G11	0000-68-1111-05	1580A -1	1 - K 5
FA72-68-390 12	6840A -1	2 - F11	FA66-68-450B79	5840A -3	2 - E 7	FA01-68-658	6860A -1	2 - I11	G043-68-865B65	6840A -2	2 - G11	0000-68-1111-05	6140B -2	2 - E 8
FA72-68-390 78	6840A -1	2 - F11	B006-68-452	5840A -3	2 - E 7	FA54-68-664A	6860A -1	2 - I11	G043-68-865B78	6840A -2	2 - G11	0000-68-1127-50	6140B -2	2 - E 8
FA02-68-401	5840A -2	2 - D 7	B006-68-452 11	5840A -3	2 - E 7	FA54-68-666	6860A -1	2 - I11	H002-68-865	6820A -2	2 - E11	0000-68-1154-60	6140B -2	2 - E 8
FA02-68-401	6840A -1	2 - F11	B006-68-452 65	5840A -3	2 - E 7	8871-68-667A	6860A -1	2 - I11	S049-68-865	1330AA-1	1 - F 4	0000-68-1285-00	6130B -2	2 - N 7
FA54-68-402	5840A -2	2 - D 7	B006-68-452 78	5840A -3	2 - E 7	FA66-68-671A	6860A -1	2 - I11	SU49-68-865 00	1330AA-1	1 - F 4	0000-68-1296-20	6130B -2	2 - N 7
FA54-68-420B	5840A -2	2 - D 7	FA56-68-456	5840A -4	2 - F 7	FA66-68-671A09	6860A -1	2 - I11	8871-68-871	6840A -2	2 - G11	0000-68-1326-10	6140B -2	2 - E 8
FA54-68-420B10	5840A -2	2 - D 7	FA56-68-456 11	5840A -4	2 - F 7	FA66-68-671A11	6860A -1	2 - I11	8871-68-871A,1	6840A -2	2 - G11	0000-68-1326-00	6140B -2	2 - E 8
FA54-68-420B65	5840A -2	2 - D 7	FA56-68-456 65	5840A -4	2 - F 7	FA66-68-671A79	6860A -1	2 - I11	8871-68-871A65	6840A -2	2 - G11	0000-68-1400-10	6145B -2	2 - H 8
FA54-68-420B79	5840A -2	2 - D 7	FA56-68-456 78	5840A -4	2 - F 7	FA54-68-677	6860A -1	2 - I11	8871-68-871A78	6840A -2	2 - G11	0000-68-2032-61	6130B -2	2 - N 7
FA56-68-420E	5840A -2	2 - D 7	FA56-68-465	5840A -4	2 - F 7	FA54-68-677 09	5860A -1	2 - I11	FO41-68-890A	6840A -3	2 - H11	0000-68-2033-90	6150B -2	2 - J 8
FA56-68-420E11	5840A -2	2 - D 7	FA56-68-490	5840A -3	2 - E 7	FA54-68-677 11	6860A -1	2 - I11	FO41-68-890A09	6840A -3	2 - H11	0000-68-2033-80	6150B -2	2 - J 8
FA56-68-420E65	5840A -2	2 - D 7	FA56-68-480 11	5840A -3	2 - E 7	FA54-68-677 79	6860A -1	2 - I11	FO41-68-890A11	6840A -3	2 - H11	0000-68-2035-22	6130B -2	2 - N 7
FA56-68-420E78	5840A -2	2 - D 7	FA56-68-480 65	5840A -3	2 - E 7	FA54-68-695A	6860A -1	2 - I11	FO41-68-890A79	6840A -3	2 - H11	0000-68-2036-01	6130B -2	2 - N 7
FA57-68-420E	5840A -2	2 - D 7	FA56-68-480 78	5840A -3	2 - E 7	FA54-68-695A09	6860A -1	2 - I11	FO41-68-890B	6840A -3	2 - H11	0000-68-2041-80	6130B -2	2 - N 7
FA57-68-420E11	5840A -2	2 - D 7	FA56-68-490	5840A -3	2 - E 7	FA54-68-695A11	6860A -1	2 - I11	FO41-68-890B09	6840A -3	2 - H11	0000-68-2047-30	6130B -2	2 - N 7
FA57-68-420E78	5840A -2	2 - D 7	FA56-68-490 11	5840A -3	2 - E 7	FA54-68-695A79	6860A -1	2 - I11	FO41-68-890B11	6840A -3	2 - H11	0000-68-2067-80	6150B -2	2 - J 8
FA58-68-420E	5840A -2	2 - D 7	FA56-68-490 65	5840A -4	2 - F 7	8871-68-696B	6860A -1	2 - I11	FO41-68-890B79	6840A -3	2 - H11	0000-68-2074-33	6130B -2	2 - N 7
FA58-68-420E11	5840A -2	2 - D 7	FA56-68-490 78	5840A -4	2 - F 7	8871-68-696B10	6860A -1	2 - I11	FA54-68-890A	6840A -2	2 - G11	0000-68-2081-90	6130B -2	2 - N 7
FA58-68-420E65	5840A -2	2 - D 7	FA01-68-520E	6840A -1	2 - F11	8871-68-696B65	6860A -1	2 - I11	FA54-68-890A09	6840A -2	2 - G11	0000-68-2081-80	6130B -2	2 - N 7
FA58-68-420E78	5840A -2	2 - D 7	FA01-68-520E12	6840A -1	2 - F11	8871-68-696B78	6860A -1	2 - I11	FA54-68-890A11	6840A -3	2 - H11	0000-68-2094-30	6130B -2	2 - N 7
FA66-68-420B	5840A -2	2 - D 7	FA01-68-520E65	6840A -1	2 - F11	8871-68-710	6840A -2	2 - G11	FA54-68-890A79	6840A -3	2 - H11	0000-68-2510-80	6130B -2	2 - N 7
FA66-68-420B10	5840A -2	2 - D 7	FA01-68-520E79	6840A -1	2 - F11	8871-68-710 10	6840A -2	2 - G11	FA02-68-911	5800A -1	2 - I 6	0000-68-2530-60	6130B -2	2 - N 7
FA66-68-420B65	5840A -2	2 - D 7	FA54-68-520A	6840A -1	2 - F11	8871-68-710 65	6840A -2	2 - G11	FA02-68-911 12	5800A -1	2 - I 6	0000-68-2530-40	6130B -2	2 - N 7
FA66-68-420B79	5840A -2	2 - D 7	FA54-68-520A10	6840A -1	2 - F11	8871-68-710 78	6840A -2	2 - G11	FA02-68-911 65	5800A -1	2 - I 6	0000-68-3024-91	6130B -2	2 - N 7
FA56-68-421	5840A -3	2 - E 7	FA54-68-520A65	6840A -1	2 - F11	8871-68-712	6840A -2	2 - G11	FA02-68-911 78	5800A -1	2 - I 6	0000-68-3025-90	6130B -2	2 - N 7
FA56-68-421 11	5840A -3	2 - E 7	FA54-68-520A79	6840A -1	2 - F11	8871-68-713	6840A -2	2 - G11	FA01-68-960C	6800A -1	2 - C11	0000-68-3201-20	6150B -2	2 - J 8
FA56-68-421 65	5840A -3	2 - E 7	FA56-68-520A	6840A -1	2 - F11	FA54-68-719B	6840A -2	2 - G11	FA01-68-960C11	6800A -1	2 - C11	0000-68-3300-30	6145B -2	2 - H 8
FA56-68-421 78	5840A -3	2 - E 7	FA56-68-520A11	6840A -1	2 - F11	H001-68-719B	6840A -2	2 - G11	FA01-68-960C65	6800A -1	2 - C11	0000-68-3805-91	6145B -2	2 - H 8
B006-68-422	5840A -3	2 - E 7	FA56-68-520A65	6840A -1	2 - F11	8871-68-720	6840A -2	2 - G11	FA01-68-950C78	6800A -1	2 - C11	0000-68-3913-50	6145B -2	2 - H 8
B006-68-422 11	5840A -3	2 - E 7	FA56-68-520A78	6840A -1	2 - F11	8871-68-720 10	6840A -2	2 - G11	G030-68-964C	5840A -4	2 - F 7	0000-68-4000-80	6130B -2	2 - N 7
B006-68-422 65	5840A -3	2 - E 7	FA66-68-520A	6840A -1	2 - F11	8871-68-720 65	6840A -2	2 - G11	G030-68-964C11	5840A -4	2 - F 7	0000-68-4002-11	6145B -2	2 - H 8
B006-68-422 78	5840A -3	2 - E 7	FA66-68-520A10	6840A -1	2 - F11	8871-68-720 78	6840A -2	2 - G11	G030-68-964C65	5840A -4	2 - F 7	0000-68-4080-43	6130B -2	2 - N 7
FA56-68-425A	5840A -4	2 - F 7	FA66-68-520A65	6840A -1	2 - F11	8871-68-770	6840A -2	2 - G11	G030-68-964C78	5840A -4	2 - F 7	0000-68-4226-50	6145B -2	2 - H 8
FA56-68-426	5840A -4	2 - F 7	FA66-68-520A79	6840A -1	2 - F11	8871-68-770 12	6840A -2	2 - G11	FA56-68-965	6800A -1	2 - C11	0000-68-4601-70	6145B -2	2 - H 8
FA56-68-426 11	5840A -4	2 - F 7	FA01-68-550E	6840A -1	2 - F11	8871-68-770 65	6840A -2	2 - G11	FA01-68-970B	6800A -1	2 - C11	0000-68-500-80	6150B -2	2 - J 8
FA56-68-426 65	5840A -4	2 - F 7	FA01-68-550E12	6840A -1	2 - F11	8871-68-770 78	6840A -2	2 - G11	FA01-68-970B11	6800A -1	2 - C11	0000-68-5002-80	6150B -2	2 - J 8
FA56-68-426 78	5840A -4	2 - F 7	FA01-68-550E65	6840A -1	2 - F11	8871-68-790	6840A -2	2 - G11	FA01-68-970B65	6800A -1	2 - C11	0000-68-5007-80	6140B -2	2 - E 8
FA54-68-450B	5840A -2	2 - D 7	FA01-68-550E79	6840A -1	2 - F11	8871-68-790 12	6840A -2	2 - G11	FA01-68-970B78	6800A -1	2 - C11	0000-68-5026-10	6140B -2	2 - E 8
FA54-68-450B10	5840A -2	2 - D 7	FA54-68-550A	6840A -1	2 - F11	8871-68-790 65	6840A -2	2 - G11	FA01-68-981	6820A -1	2 - D11	0000-68-6042-80	6150B -2	2 - J 8
FA54-68-450B65	5840A -2	2 - D 7	FA54-68-550A10	6840A -1	2 - F11	8871-68-790 78	6840A -2	2 - G11	FA01-68-981 11	6820A -1	2 - D11	0000-68-6056-31	6140B -2	2 - E 8

PART NUMBER INDEX

PART NUMBER	SECTION	LOCATION	PART NUMBER	SECTION	LOCATION	PART NUMBER	SECTION	LOCATION	PART NUMBER	SECTION	LOCATION	PART NUMBER	SECTION	LOCATION
0000-68-6100 81	6140B -2	2 - E 8	FA03-69-064A	6930A -1	2 - N11	FA56-69-366C	5840A -5	2 - G 7	0866-69-885A	6860A -1	2 - I11	1482-75-890D	6300A -1	2 - M 8
0000-68-6324-2	6140B -2	2 - E 8	FA01-69-065	6930A -1	2 - N11	FA56-69-366C12	5840A -5	2 - G 7	0866-69-885A00	5390A -1	2 - M 4	8371-75-890D	6300A -1	2 - M 8
0000-68-7003-10	6140B -2	2 - E 8	FA01-69-065 01	6930A -1	2 - N11	FA56-69-366C65	5840A -5	2 - G 7	0866-69-885A00	6860A -1	2 - I11	FA67-75-890	6300A -1	2 - M 8
0000-68-7006-40	6140B -2	2 - E 8	GA02-69-068	6930A -1	2 - N11	FA56-69-366C78	5840A -5	2 - G 7	0866-69-885A11	5390A -1	2 - M 4	FA01-75-899	6700A -1	2 - E10
0000-68-7101-01	6145B -2	2 - H 8	FA02-69-073A	6930A -1	2 - N11	FA56-69-367A	5840A -4	2 - F 7	0866-69-885A11	6860A -1	2 - I11	0208-76-071	6860A -1	2 - I11
0000-68-7101-11	6145B -2	2 - H 8	8341-69-110A	6900A -1	2 - K11	FA56-69-367A12	5840A -4	2 - F 7	0866-69-885A65	5390A -1	2 - M 4	FA54-76-190	0900A -1	2 - C 3
0000-68-7104-01	6140B -2	2 - E 8	8871-69-110B	6900A -1	2 - K11	FA56-69-367A65	5840A -4	2 - F 7	0866-69-885A65	6860A -1	2 - I11	FA55-76-191	6115A -1	2 - J 7
0000-68-7104-01	6140B -2	2 - E 8	FA66-69-110	6900A -1	2 - K11	FA56-69-367A78	5840A -4	2 - F 7	0866-69-885A78	5390A -1	2 - M 4	FA55-76-192	6115A -1	2 - J 7
0000-68-730-00	6145B -2	2 - H 8	FA66-69-110 3A	6900A -1	2 - K11	FA01-69-371A	5840A -4	2 - F 7	0866-69-885A78	6860A -1	2 - I11	FA55-76-193	6115A -1	2 - J 7
0000-68-7401-20	6145B -2	2 - H 8	FA66-69-110 K3	6900A -1	2 - K11	FA01-69-371A12	5840A -5	2 - G 7	FA67-69-910	6860A -1	2 - I11	FA55-76-194	6115A -1	2 - J 7
0000-68-7500-70	6145B -2	2 - H 8	FA66-69-110 PZ	6900A -1	2 - K11	FA01-69-371A65	5840A -5	2 - G 7	0376-69-941B	6900A -3	2 - M11	FA55-76-195	6115A -1	2 - J 7
0000-68-8033-02	6130B -2	2 - N 7	FA66-69-110 V3	6900A -1	2 - K11	FA01-69-371A78	5840A -5	2 - G 7	0376-69-941B00	6900A -3	2 - M11	FA55-76-196	6115A -1	2 - J 7
0000-68-8033-41	6130B -2	2 - N 7	FA66-69-110 WU	6900A -1	2 - K11	FA01-69-372	5840A -5	2 - G 7	0376-69-941B01	6900A -3	2 - M11	FA55-76-197	6115A -1	2 - J 7
0000-68-8033-62	6130B -2	2 - N 7	8341-69-115	6900A -2	2 - L11	FA01-69-372 12	5840A -5	2 - G 7	8871-70-020E	5340A -1	2 - J 4	HA43-76-201A	0900A -1	2 - C 3
0000-68-8033-22	6130B -2	2 - N 7	8341-69-116	6900A -2	2 - L11	FA01-69-372 65	5840A -5	2 - G 7	8871-70-051D	5340A -1	2 - J 4	HA43-76-201A	0900A -1	2 - C 3
0000-68-8033-30	6130B -2	2 - N 7	8871-69-117A	6900A -1	2 - K11	FA01-69-372 78	5840A -5	2 - G 7	FA54-70-100D	5340A -1	2 - J 4	FA54-76-210	0900A -1	2 - C 3
0000-68-8040-30	6130B -2	2 - N 7	8218-69-118	6900A -1	2 - K11	FA01-69-374	5840A -5	2 - G 7	FA54-70-210A	5340A -1	2 - J 4	FA54-76-220	0900A -1	2 - C 3
0000-68-8041-50	6130B -2	2 - N 7	8341-69-122	6900A -2	2 - L11	FA01-69-374 12	5840A -5	2 - G 7	8871-70-220C	5340A -1	2 - J 4	FA55-76-220	0900A -1	2 - C 3
0000-68-8056-00	6130B -2	2 - N 7	8341-69-122	6900A -1	2 - K11	FA01-69-374 65	5840A -5	2 - G 7	8871-70-240C	5340A -1	2 - J 4	FA54-76-230	0900A -1	2 - C 3
0000-68-8064-40	6130B -2	2 - N 7	8341-69-123	6900A -2	2 - L11	FA01-69-374 78	5840A -5	2 - G 7	8871-70-251	5340A -1	2 - J 4	FA54-76-230A	0900A -1	2 - C 3
0000-68-8100-01	6140B -2	2 - E 8	8341-69-131	6900A -1	2 - K11	FA56-69-385A	5840A -4	2 - F 7	8871-70-260	5330A -1	2 - I 4	FA54-76-250B	0900A -1	2 - C 3
0000-68-8102-51	6140B -2	2 - E 8	8341-69-170A	6900A -2	2 - L11	FA56-69-385A11	5840A -4	2 - F 7	8871-70-271B	5340A -1	2 - J 4	FA54-76-250B10	0900A -1	2 - C 3
0000-68-8103-01	6140B -2	2 - E 8	8871-69-170B	6900A -2	2 - L11	FA56-69-385A65	5840A -4	2 - F 7	8871-70-311A	5340A -1	2 - J 4	FA54-76-250B65	0900A -1	2 - C 3
0000-68-8105-01	6140B -2	2 - E 8	FA66-69-170	6900A -1	2 - K11	FA56-69-385A78	5840A -4	2 - F 7	0305-70-335	6800A -1	2 - C11	FA54-76-250B78	0900A -1	2 - C 3
0000-68-8120-01	6140B -2	2 - E 8	FA66-69-170 3A	6900A -1	2 - K11	FA56-69-387A	5840A -4	2 - F 7	FA01-70-400A	5340A -1	2 - J 4	FA54-76-290	0900A -1	2 - C 3
0000-68-8153-00	6130B -2	2 - N 7	FA66-69-170 K3	6900A -1	2 - K11	FA56-69-387A12	5840A -4	2 - F 7	0839-70-449	6300A -1	2 - M 8	FA42-76-400A	6110A -1	2 - I 7
0000-68-8404-80	6150B -2	2 - J 8	FA66-69-170 PZ	6900A -1	2 - K11	FA56-69-387A65	5840A -4	2 - F 7	0187-70-491	4200A -1	1 - D11	FA42-76-401	6110A -1	2 - I 7
0000-68-9014-10	6130B -2	2 - N 7	FA66-69-170 V3	6900A -1	2 - K11	FA56-69-387A78	5840A -4	2 - F 7	FA01-70-526	6300A -1	2 - M 8	8871-76-402	6110A -1	2 - I 7
0000-68-9015-61	6150B -2	2 - J 8	FA66-69-170 WU	6900A -1	2 - K11	FA01-69-391A	5840A -5	2 - G 7	8871-70-640A	5360A -1	2 - K 4	FA42-76-403	6110A -1	2 - I 7
0000-68-9021-90	6150B -2	2 - J 8	8871-69-177A	6900A -2	2 - L11	FA01-69-391A12	5840A -5	2 - G 7	8973-70-640A	5360A -1	2 - K 4	FA42-76-404	6110A -1	2 - I 7
0000-68-9039-60	6130B -2	2 - N 7	8341-69-178	6900A -1	2 - K11	FA01-69-391A65	5840A -5	2 - G 7	FA01-70-700A	5360A -1	2 - K 4	8871-76-405	6110A -1	2 - I 7
0000-68-9056-90	6130B -2	2 - N 7	8871-69-178	6900A -1	2 - K11	FA01-69-391A78	5840A -5	2 - G 7	FA04-70-700A	5360A -1	2 - K 4	8871-76-406	6110A -1	2 - I 7
0000-68-9092-30	6150B -2	2 - J 8	8950-69-178A	6900A -1	2 - K11	FA01-69-392	5840A -5	2 - G 7	FA54-70-750	5340A -1	2 - J 4	8871-76-407	6110A -1	2 - I 7
0000-68-9119-70	6130B -2	2 - N 7	8341-69-182	6900A -2	2 - L11	FA01-69-392 12	5840A -5	2 - G 7	FA01-70-791	5340A -1	2 - J 4	8871-76-408	6110A -1	2 - I 7
0000-68-9904-21	6145B -2	2 - H 8	8341-69-191	6900A -2	2 - L11	FA01-69-392 65	5840A -5	2 - G 7	FA54-71-020A	5340A -1	2 - J 4	8871-76-409	6110A -1	2 - I 7
8595-69-0118	6930A -1	2 - N11	FA01-69-220A	6900A -2	2 - L11	FA01-69-392 78	5840A -5	2 - G 7	8871-71-051D	5340A -1	2 - J 4	8871-76-410A	6110A -1	2 - I 7
FA42-69-013	6930A -1	2 - N11	FA03-69-220A	6900A -2	2 - L11	FA54-69-571	6900A -2	2 - L11	FA54-71-100E	5340A -1	2 - J 4	FA54-76-411	6110A -1	2 - I 7
FA42-69-014B	6930A -1	2 - N11	FA01-69-232	6900A -2	2 - L11	FA54-69-571 10	6900A -2	2 - L11	0259-71-158	6115A -1	2 - J 7	FA55-76-411	6110A -1	2 - I 7
FA66-69-014B	6930A -1	2 - N11	FA56-69-270A	6900A -2	2 - L11	FA54-69-571 65	6900A -2	2 - L11	FA54-71-210B	340A -1	2 - J 4	FA42-76-412	6110A -1	2 - I 7
8374-69-034A	6930A -1	2 - N11	FA56-69-270A16	6900A -2	2 - L11	FA54-69-571 78	6900A -2	2 - L11	8871-71-220C	5340A -1	2 - J 4	FA42-76-413	6110A -1	2 - I 7
N249-69-036A	6930A -1	2 - N11	FA56-69-270A63	6900A -2	2 - L11	FA54-69-572	6900A -2	2 - L11	8871-71-240C	5340A -1	2 - J 4	8531-76-415	6115A -1	2 - J 7
N249-69-036B	6930A -1	2 - N11	FA56-69-270A77	6900A -2	2 - L11	FA54-69-572 10	6900A -2	2 - L11	8871-71-251	5340A -1	2 - J 4	8871-76-415A	6110A -1	2 - I 7
N251-69-036A	6930A -1	2 - N11	FA54-69-320A	6900A -2	2 - L11	FA54-69-572 65	6900A -2	2 - L11	8871-71-260	5330A -1	2 - I 4	8871-76-416	6110A -1	2 - I 7
N251-69-036B	6930A -1	2 - N11	FA54-69-320A16	6900A -2	2 - L11	FA54-69-572 78	6900A -2	2 - L11	8871-71-271B	5340A -1	2 - J 4	8871-76-417	6110A -1	2 - I 7
N304-69-036A	6930A -1	2 - N11	FA54-69-320A63	6900A -2	2 - L11	3781-69-650	6870A -1	2 - J11	8871-71-311A	5340A -1	2 - J 4	8871-76-418	6110A -1	2 - I 7
N304-69-036B	6930A -1	2 - N11	FA54-69-320A77	6900A -2	2 - L11	8173-69-670	6870A -1	2 - J11	FA42-71-400B	5340A -1	2 - J 4	8871-76-419	6110A -1	2 - I 7
N305-69-036B	6930A -1	2 - N11	FA56-69-320A	6900A -2	2 - L11	FA54-69-760B	6900A -3	2 - M11	9963-72-0221	3700A -2	1 - I10	8871-76-420	6110A -1	2 - I 7
N305-69-036C	6930A -1	2 - N11	FA56-69-320A16	6900A -2	2 - L11	FA54-69-760B09	6900A -3	2 - M11	8544-72-502	5800A -1	2 - I 6	8871-76-421	6110A -1	2 - I 7
N249-69-044A	6930A -1	2 - N11	FA56-69-320A63	6900A -2	2 - L11	FA54-69-760B10	6900A -3	2 - M11	0305-72-852A	5830A -2	2 - K 6	8871-76-422	6110A -1	2 - I 7
N249-69-044B	6930A -1	2 - N11	FA56-69-320A77	6900A -2	2 - L11	FA54-69-760B78	6900A -3	2 - M11	0208-72-941	6630A -1	2 - I 9	8871-76-425	6110A -1	2 - I 7
N304-69-044A	6930A -1	2 - N11	H001-69-361	5840A -4	2 - F 7	FA42-69-762	6900A -3	2 - M11	1482-74-030	5360A -1	2 - K 4	FA54-76-426	6110A -1	2 - I 7
N304-69-044B	6930A -1	2 - N11	FA56-69-365A	5840A -4	2 - F 7	FA54-69-780B	6900A -3	2 - M11	8871-74-030	5360A -1	2 - K 4	8871-76-427	6110A -1	2 - I 7
N304-69-044C	6930A -1	2 - N11	FA56-69-365A11	5840A -4	2 - F 7	FA54-69-780B10	6900A -3	2 - M11	FA01-74-040A	5330A -1	2 - I 4	FA42-76-428	6110A -1	2 - I 7
UB05-69-047A	6930A -1	2 - N11	FA56-69-365A65	5840A -4	2 - F 7	FA54-69-780B78	6900A -3	2 - M11	8871-74-250	5230A -1	2 - F 4	FA54-76-429	6110A -1	2 - I 7
0187-69-049A	6300A -1	2 - M 8	FA56-69-365A78	5840A -4	2 - F 7	0866-69-885A	5390A -1	2 - M 4	1907-75-102A	5540A -1	2 - H 5	FA42-76-430	6110A -1	2 - I 7

PART NUMBER INDEX

PART NUMBER	SECTION	LOCATION	PART NUMBER	SECTION	LOCATION	PART NUMBER	SECTION	LOCATION	PART NUMBER	SECTION	LOCATION	PART NUMBER	SECTION	LOCATION
FA54-76-435	6110A -1	2 - I 7	8532-76-618	6760A -1	2 - N10	H003-88-076	5700A -3	2 - E 6	FA59-88-111	5700A -4	2 - F 6	FA57-88-160	5700A -5	2 - G 6
FA55-76-438	6110A -1	2 - I 7	1410-76-619	6760A -1	2 - N10	H003-88-076	5700A -3	2 - E 6	FA59-88-111	5700A -4	2 - F 6	FA57-88-160	5700A -5	2 - G 6
FA55-76-439	6110A -1	2 - I 7	8236-76-619A	6740A -1	2 - L10	H003-88-076	5700A -3	2 - E 6	FA59-88-111	5700A -4	2 - F 6	FA58-88-160	5700A -5	2 - G 6
FA55-76-440	6110A -1	2 - I 7	1029-76-621	6750A -1	2 - M10	H003-88-076	5700A -3	2 - E 6	FA80-88-111	5700A -4	2 - F 6	FA58-88-160	5700A -5	2 - G 6
FA55-76-450	6120A -1	2 - K 7	1480-76-623	6750A -1	2 - M10	B001-88-081	5700A -3	2 - E 6	FA80-88-111	5700A -4	2 - F 6	FA58-88-160	5700A -5	2 - G 6
FA55-76-451	6120A -1	2 - K 7	1480-76-624A	6750A -1	2 - M10	B001-88-081	5700A -3	2 - E 6	FA80-88-111	5700A -4	2 - F 6	FA58-88-160	5700A -5	2 - G 6
FA55-76-452	6120A -1	2 - K 7	1480-76-626	6750A -1	2 - M10	B001-88-081	5700A -3	2 - E 6	1243-88-117	5700A -4	2 - F 6	FA59-88-160	5700A -5	2 - G 6
FA55-76-453	6120A -1	2 - K 7	8AG1-76-631A-BP	6750A -1	2 - M10	B001-88-081	5700A -3	2 - E 6	B001-88-123	5700A -3	2 - E 6	FA59-88-160	5700A -5	2 - G 6
FA55-76-454	6120A -1	2 - K 7	HA40-76-631	6730A -1	2 - K10	B001-88-091	5700A -3	2 - E 6	F034-88-127	5700A -4	2 - F 6	FA59-88-160	5700A -5	2 - G 6
FA55-76-455	6120A -1	2 - K 7	8134-76-641	6750A -1	2 - M10	B001-88-091	5700A -3	2 - E 6	F034-88-127	5700A -4	2 - F 6	FA59-88-160	5700A -5	2 - G 6
8871-76-456	6120A -1	2 - K 7	8871-76-641	6730A -1	2 - K10	B001-88-091	5700A -3	2 - E 6	F034-88-127	5700A -4	2 - F 6	FA80-88-160	5700A -5	2 - G 6
FA55-76-457	6120A -1	2 - K 7	8871-76-655A	6730A -1	2 - K10	B001-88-091	5700A -3	2 - E 6	F034-88-127	5700A -4	2 - F 6	FA80-88-160	5700A -5	2 - G 6
8871-76-458	6120A -1	2 - K 7	8871-76-656A	6730A -1	2 - K10	FA58-88-101	5700A -3	2 - E 6	FA57-88-130	5700A -4	2 - F 6	FA80-88-160	5700A -5	2 - G 6
8871-76-459	6120A -1	2 - K 7	8871-76-657	6730A -1	2 - K10	8183-88-102	5700A -3	2 - E 6	FA57-88-130	5700A -4	2 - F 6	FA57-88-161	5700A -5	2 - G 6
8871-76-465	6120A -1	2 - K 7	8239-76-661	6740A -1	2 - L10	F005-88-103	5700A -3	2 - E 6	FA57-88-130	5700A -4	2 - F 6	FA57-88-161	5700A -5	2 - G 6
8871-76-466	6110A -1	2 - I 7	8239-76-662	6740A -1	2 - L10	FA57-88-104	5700A -3	2 - E 6	FA57-88-130	5700A -4	2 - F 6	FA57-88-161	5700A -5	2 - G 6
8871-76-466	6120A -1	2 - K 7	8239-76-663	6740A -1	2 - L10	FA57-88-104	5700A -3	2 - E 6	FA58-88-130	5700A -4	2 - F 6	FA57-88-161	5700A -5	2 - G 6
FA55-76-467	6120A -1	2 - K 7	1410-76-671	6750A -1	2 - M10	FA57-88-104	5700A -3	2 - E 6	FA58-88-130	5700A -4	2 - F 6	FA58-88-161	5700A -5	2 - G 6
FA55-76-468	6120A -1	2 - K 7	FA42-76-671A	6720A -1	2 - J10	FA57-88-104	5700A -3	2 - E 6	FA58-88-130	5700A -4	2 - F 6	FA58-88-161	5700A -5	2 - G 6
8871-76-469	6110A -1	2 - I 7	1410-76-672A	6750A -1	2 - M10	FA58-88-104	5700A -3	2 - E 6	FA58-88-130	5700A -4	2 - F 6	FA58-88-161	5700A -5	2 - G 6
8871-76-471	6110A -1	2 - I 7	8532-76-672	6720A -1	2 - J10	FA58-88-104	5700A -3	2 - E 6	FA59-88-130	5700A -4	2 - F 6	FA58-88-161	5700A -5	2 - G 6
FA55-76-474	6120A -1	2 - K 7	BA02-76-673	6720A -1	2 - J10	FA58-88-104	5700A -3	2 - E 6	FA59-88-130	5700A -4	2 - F 6	FA59-88-161	5700A -5	2 - G 6
FA55-76-478	6120A -1	2 - K 7	FA42-76-673A	6720A -1	2 - J10	FA58-88-104	5700A -3	2 - E 6	FA59-88-130	5700A -4	2 - F 6	FA59-88-161	5700A -5	2 - G 6
FA55-76-480	6120A -1	2 - K 7	0000-80-124F	1850A -1	1 - M 6	FA59-88-104	5700A -3	2 - E 6	FA59-88-130	5700A -4	2 - F 6	FA59-88-161	5700A -5	2 - G 6
FA55-76-481	6120A -1	2 - K 7	9932-80-4010	6720A -1	2 - J10	FA59-88-104	5700A -3	2 - E 6	FA80-88-130	5700A -4	2 - F 6	FA59-88-161	5700A -5	2 - G 6
FA55-76-482	6120A -1	2 - K 7	9935-80-6999	1320A -1	1 - M 3	FA59-88-104	5700A -3	2 - E 6	FA80-88-130	5700A -4	2 - F 6	FA80-88-161	5700A -5	2 - G 6
FA55-76-483	6120A -1	2 - K 7	9935-80-6999	1320A -1	1 - M 3	FA59-88-104	5700A -3	2 - E 6	FA80-88-130	5700A -4	2 - F 6	FA80-88-161	5700A -5	2 - G 6
FA54-76-500	6115A -1	2 - J 7	9935-80-6999	4500A -1	1 - L11	FA80-88-104	5700A -3	2 - E 6	FA57-88-131	5700A -4	2 - F 6	FA80-88-161	5700A -5	2 - G 6
FA54-76-501	6115A -1	2 - J 7	9935-80-8999	1320A -1	1 - M 3	FA80-88-104	5700A -3	2 - E 6	FA57-88-131	5700A -4	2 - F 6	F034-88-177	5700A -5	2 - G 6
FA54-76-503	6115A -1	2 - J 7	9935-80-8999	1320AA-1	1 - C 4	FA80-88-104	5700A -3	2 - E 6	FA57-88-131	5700A -4	2 - F 6	F034-88-177	5700A -5	2 - G 6
FA54-76-504	6115A -1	2 - J 7	9935-80-8999	4500A -1	1 - L11	H115-88-108	5700A -3	2 - E 6	FA57-88-131	5700A -4	2 - F 6	F034-88-177	5700A -5	2 - G 6
FA54-76-505	6115A -1	2 - J 7	9935-80-8999	4500A -1	1 - L11	FA57-88-110	5700A -4	2 - F 6	FA58-88-131	5700A -4	2 - F 6	F034-88-177	5700A -5	2 - G 6
FA54-76-506	6115A -1	2 - J 7	9935-80-8999	4500A -1	1 - L11	FA57-88-110	5700A -4	2 - F 6	FA58-88-131	5700A -4	2 - F 6	FA58-88-177	5700A -5	2 - G 6
FA54-76-507	6115A -1	2 - J 7	0000-81-142C-83	6680A -1	2 - C10	FA57-88-110	5700A -4	2 - F 6	FA58-88-131	5700A -4	2 - F 6	FA58-88-177	5700A -5	2 - G 6
FA54-76-508	6115A -1	2 - J 7	0000-81-0287-83	6680A -1	2 - C10	FA57-88-110	5700A -4	2 - F 6	FA58-88-131	5700A -4	2 - F 6	FA58-88-177	5700A -5	2 - G 6
FA54-76-510	6115A -1	2 - J 7	0000-81-302A	6680A -1	2 - C10	FA58-88-110	5700A -4	2 - F 6	FA59-88-131	5700A -4	2 - F 6	FA58-88-177	5700A -5	2 - G 6
0862-76-512	6110A -1	2 - I 7	0000-81-302A-KB	6680A -1	2 - C10	FA58-88-110	5700A -4	2 - F 6	FA59-88-131	5700A -4	2 - F 6	FA57-88-180	5700A -5	2 - G 6
8572-76-517	6120A -1	2 - K 7	0000-81-521 -01	6682A -1	2 - D10	FA58-88-110	5700A -4	2 - F 6	FA59-88-131	5700A -4	2 - F 6	FA57-88-180	5700A -5	2 - G 6
FA54-76-517	6115A -1	2 - J 7	0000-81-1231	6680A -1	2 - C10	FA58-88-110	5700A -4	2 - F 6	FA59-88-131	5700A -4	2 - F 6	FA57-88-180	5700A -5	2 - G 6
FA54-76-518	6115A -1	2 - J 7	9935-81-2999	4500A -1	1 - L11	FA59-88-110	5700A -4	2 - F 6	FA80-88-131	5700A -4	2 - F 6	FA57-88-180	5700A -5	2 - G 6
FA54-76-551	6115A -1	2 - J 7	0000-81-3015	6680A -1	2 - C10	FA59-88-110	5700A -4	2 - F 6	FA80-88-131	5700A -4	2 - F 6	FA58-88-180	5700A -5	2 - G 6
FA54-76-552	6115A -1	2 - J 7	0000-81-3015-KB	6680A -1	2 - C10	FA59-88-110	5700A -4	2 - F 6	FA80-88-131	5700A -4	2 - F 6	FA58-88-180	5700A -5	2 - G 6
FA54-76-601A	6730A -1	2 - K10	0000-81-3015	6680A -1	2 - C10	FA59-88-110	5700A -4	2 - F 6	H001-88-138	5700A -4	2 - F 6	FA58-88-180	5700A -5	2 - G 6
8871-76-602B	6730A -1	2 - K10	0000-81-3105-KB	6680A -1	2 - C10	FA80-88-110	5700A -4	2 - F 6	H001-88-138	5700A -4	2 - F 6	FA58-88-180	5700A -5	2 - G 6
8871-76-603A	6730A -1	2 - K10	0000-81-5216-01	6682A -1	2 - D10	FA80-88-110	5700A -4	2 - F 6	H001-88-138	5700A -4	2 - F 6	FA59-88-180	5700A -5	2 - G 6
8871-76-604A	6730A -1	2 - K10	0000-81-8006-86	6680A -1	2 - C10	FA80-88-110	5700A -4	2 - F 6	H001-88-138	5700A -4	2 - F 6	FA59-88-180	5700A -5	2 - G 6
FA54-76-605	6730A -1	2 - K10	0000-81-9006-KT	6680A -1	2 - C10	FA57-88-111	5700A -4	2 - F 6	HA20-88-141	5700A -5	2 - G 6	FA59-88-180	5700A -5	2 - G 6
1480-76-607	6750A -1	2 - M10	0000-81-9006-KT	6680A -1	2 - C10	FA57-88-111	5700A -4	2 - F 6	HA20-88-141	5700A -5	2 - G 6	FA59-88-180	5700A -5	2 - G 6
1175-76-609	6730A -1	2 - K10	0000-81-9006	6680A -1	2 - C10	FA57-88-111	5700A -4	2 - F 6	HA20-88-141	5700A -5	2 - G 6	FA80-88-180	5700A -5	2 - G 6
1480-76-610	6760A -1	2 - N10	0000-86-2200	5180A -1	2 - E 4	FA57-88-111	5700A -4	2 - F 6	HA20-88-141	5700A -5	2 - G 6	FA80-88-180	5700A -5	2 - G 6
1480-76-612	6760A -1	2 - N10	0702-87-132	6750A -1	2 - M10	FA58-88-111	5700A -4	2 - F 6	B042-88-151	5700A -5	2 - G 6	FA80-88-180	5700A -5	2 - G 6
8872-76-612	6740A -1	2 - L10	0259-87-134	6750A -1	2 - M10	FA58-88-111	5700A -4	2 - F 6	FA58-88-152	5700A -5	2 - G 6	FA57-88-181	5700A -5	2 - G 6
8872-76-612A	6740A -1	2 - L10	0727-87-844	6730A -1	2 - K10	FA58-88-111	5700A -4	2 - F 6	FA58-88-153	5700A -5	2 - G 6	FA57-88-181	5700A -5	2 - G 6
8532-76-614	6760A -1	2 - N10	0824-87-846	6730A -1	2 - K10	FA58-88-111	5700A -4	2 - F 6	FA57-88-160	5700A -5	2 - G 6	FA57-88-181	5700A -5	2 - G 6
8532-76-617	6760A -1	2 - N10	0305-87-956	6730A -1	2 - K10	FA59-88-111	5700A -4	2 - F 6	FA57-88-160	5700A -5	2 - G 6	FA57-88-181	5700A -5	2 - G 6

PART NUMBER INDEX

PART NUMBER	SECTION	LOCATION	PART NUMBER	SECTION	LOCATION	PART NUMBER	SECTION	LOCATION	PART NUMBER	SECTION	LOCATION
FA58-88-181	5700A	-5	2 - G 6	8871-99-741C	5030A	-1	2 - G 3				
FA58-88-181	5700A	-5	2 - G 6	8871-99-742C	5030A	-1	2 - G 3				
FA58-88-181	5700A	-5	2 - G 6	8871-99-743B	5030A	-1	2 - G 3				
FA58-88-181	5700A	-5	2 - G 6	8871-99-744B	5030A	-1	2 - G 3				
FA59-88-181	5700A	-5	2 - G 6	8871-99-745A	5030A	-1	2 - G 3				
FA59-88-181	5700A	-5	2 - G 6								
FA59-88-181	5700A	-5	2 - G 6								
FA59-88-181	5700A	-5	2 - G 6								
FA80-88-181	5700A	-5	2 - G 6								
FA80-88-181	5700A	-5	2 - G 6								
FA80-88-181	5700A	-5	2 - G 6								
FA58-88-392	5700A	-4	2 - F 6								
FA58-88-392	5700A	-4	2 - F 6								
FA58-88-392	5700A	-4	2 - F 6								
FA58-88-392	5700A	-4	2 - F 6								
FA58-88-831	5700A	-5	2 - G 6								
FA58-88-831	5700A	-5	2 - G 6								
FA58-88-831	5700A	-5	2 - G 6								
FA58-88-831	5700A	-5	2 - G 6								
0000-88-UNLD-LB	6930A	-1	2 - N11								
BB62-89-334	2610A	-1	1 - E 9								
FA01-89-376	3700A	-2	1 - 110								
H115-89-376	3700A	-2	1 - 110								
1462-89-621	6230A	-1	2 - L 8								
8341-89-621	6230A	-1	2 - L 8								
8341-89-621	6230A	-1	2 - L 8								
8871-89-661	5100A	-1	2 - J 3								
FA02-89-661	5100A	-1	2 - J 3								
FA01-89-662	5105A	-1	2 - L 3								
FA01-89-663	5105A	-1	2 - L 3								
FA01-89-664	5110A	-1	2 - M 3								
3874-89-665A	5120A	-1	2 - N 3								
8871-89-666	5100A	-1	2 - J 3								
FA02-89-666	5100A	-1	2 - J 3								
FA01-89-667	5105A	-1	2 - L 3								
FA01-89-668	5105A	-1	2 - L 3								
FA01-89-669	5110A	-1	2 - M 3								
FA01-89-673	5120A	-1	2 - N 3								
FA01-89-678	5120A	-1	2 - N 3								
N201-99-050	1000A	-1	1 - C 3								
N304-99-050	1000A	-1	1 - C 3								
FA54-99-063A	6640A	-1	2 - N 9								
N231-99-100	1000A	-1	1 - C 3								
N304-99-100A	1000A	-1	1 - C 3								
N249-99-131	1359A	-1	1 - I 4								
8553-99-152	1500A	-1	1 - H 5								
8553-99-152	1500AA-1		1 - I 5								
N232-99-153A	1500A	-1	1 - H 5								
N232-99-153A	1500AA-1		1 - I 5								
MS05-99-178	1720A	-1	1 - G 6								
BU01-99-190A	1960A	-1	1 - I 7								
FA01-99-281A	2800A	-1	1 - K 9								
FA24-99-281	2800A	-1	1 - K 9								
8531-99-322A	3230A	-1	1 - C10								
8021-99-324	3230A	-1	1 - C10								