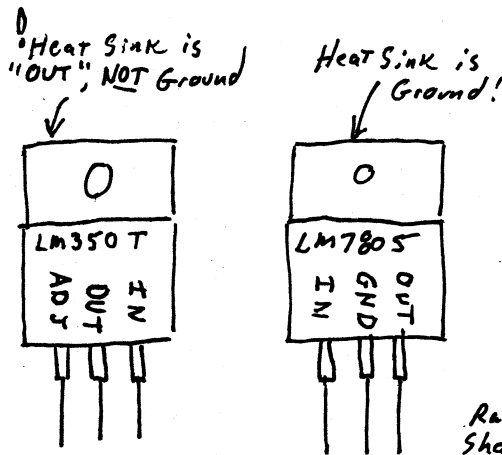


Jeff! I mocked this up on my bench & the two regs did NOT have a problem, but I don't have any way to simulate your load. Test with caution on first hook-up.



USE a TO-220 Insulator Kit TO Isolate the Regs from the actual Heat Sink!

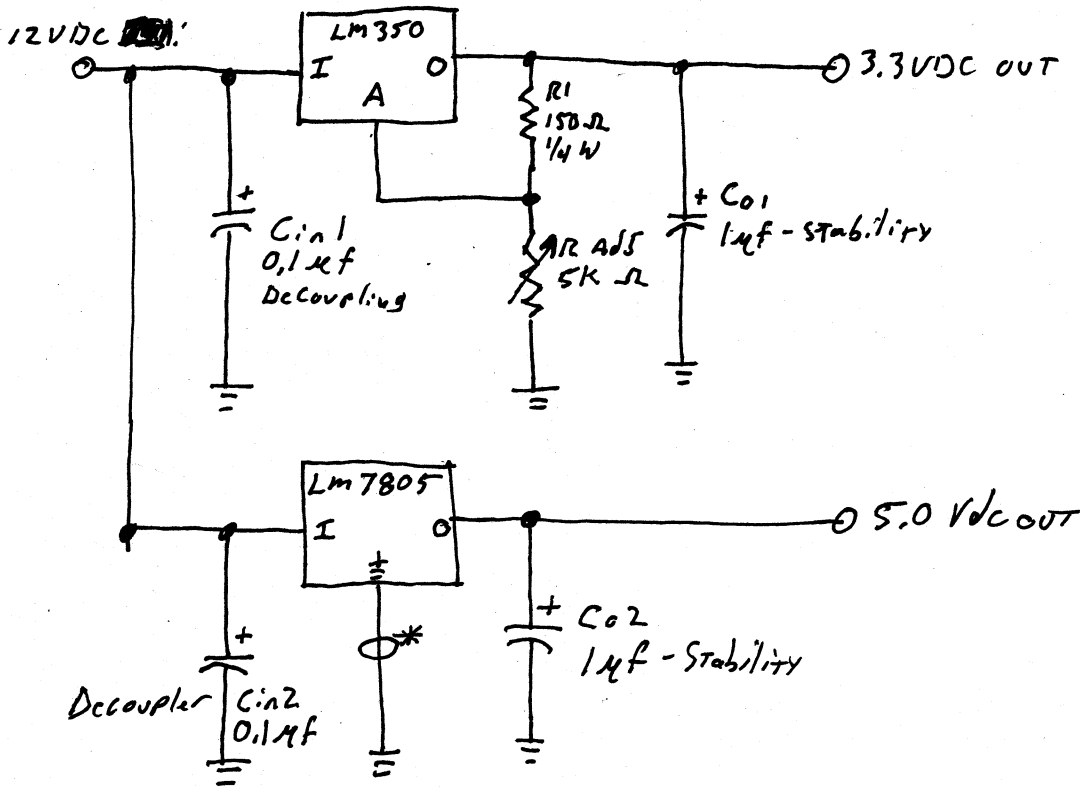
otherwise the heat sink shorts the output of the LM350, via the LM7805

(Use Thermal Paste, too)

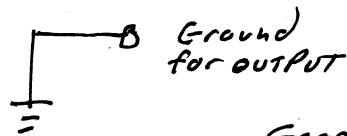
~~Radio Shack 5505 2029~~

Radio Shack 5505 2029 Insulator (x2) or similar (NTE422) Nylon screw & nut work well, too

(~8-15V OK)



* NOTE: a resistance inserted here can be used to raise the output voltage above 5V... but the value is load-dependent & I have no way to calculate it.



Good luck!

[Signature]